

Instructions for Use

Viega Eco Plus urinal corner element



for urinal "Joly" and "Visit" (Keramag)

Model
8145

Year built (from)
09/2005

viega

Table of contents

| | | |
|----------|---|----------|
| 1 | About these instructions for use | 3 |
| | 1.1 Target groups | 3 |
| | 1.2 Labelling of notes | 3 |
| | 1.3 About this translated version | 4 |
| 2 | Product information | 5 |
| | 2.1 Standards and regulations | 5 |
| | 2.2 Intended use | 5 |
| | 2.2.1 Areas of use | 5 |
| | 2.3 Product description | 6 |
| | 2.3.1 Overview | 6 |
| | 2.3.2 Compatible components | 6 |
| | 2.3.3 Sound protection | 7 |
| | 2.3.4 Technical data | 7 |
| 3 | Handling | 8 |
| | 3.1 Assembly information | 8 |
| | 3.1.1 Mounting conditions | 8 |
| | 3.1.2 Installation dimensions | 9 |
| | 3.1.3 Required tools | 9 |
| | 3.2 Assembly | 10 |
| | 3.2.1 Mounting the urinal element | 10 |
| | 3.3 Disposal | 19 |

1 About these instructions for use

Trade mark rights exist for this document, further information can be found at viega.com/legal.

1.1 Target groups

The information in this instruction manual is directed at the following groups of people:

- Heating and sanitary professionals and trained personnel
- Drywall builder

It is not permitted for individuals without the abovementioned training or qualification to mount, install and, if required, maintain this product. This restriction does not extend to possible operating instructions.

The installation of Viega products must take place in accordance with the general rules of engineering and the Viega instructions for use.

1.2 Labelling of notes

Warning and advisory texts are set aside from the remainder of the text and are labelled with the relevant pictographs.



DANGER!

This symbol warns against possible life-threatening injury.



WARNING!

This symbol warns against possible serious injury.



CAUTION!

This symbol warns against possible injury.



NOTICE!

This symbol warns against possible damage to property.



Notes give you additional helpful tips.

1.3 About this translated version

This instruction for use contains important information about the choice of product or system, assembly and commissioning as well as intended use and, if required, maintenance measures. The information about the products, their properties and application technology are based on the current standards in Europe (e. g. EN) and/or in Germany (e. g. DIN/DVGW).

Some passages in the text may refer to technical codes in Europe/Germany. These should serve as recommendations in the absence of corresponding national regulations. The relevant national laws, standards, regulations, directives and other technical provisions take priority over the German/European directives specified in this manual: The information herein is not binding for other countries and regions; as said above, they should be understood as a recommendation.

2 Product information

2.1 Standards and regulations

The following standards and regulations apply to Germany / Europe. National regulations can be found on the relevant web site of your country at viega.com/standards.

Regulations from section: Fields of application / Mounting conditions

| Scope / Notice | Regulations applicable in Germany |
|---------------------------|-----------------------------------|
| suitable masonry walls | EN 1996-1-1 |
| suitable concreted walls | DIN 1045 |
| suitable support profiles | DIN 18183 |

Regulations from section: Sound protection

| Scope / Notice | Regulations applicable in Germany |
|---|-----------------------------------|
| Fulfilled noise protection requirements | DIN 4109 |
| Fulfilled noise protection requirements | DIN 4109 (additional sheet 2) |
| Fulfilled noise protection requirements | VDI 4100 SSt I-SSt II |

2.2 Intended use

2.2.1 Areas of use

The Viega Eco Plus urinal corner element is suitable for mounting on masonry wall constructions and stud frames pursuant to the regulations in section ↗ 'Regulations from section: Fields of application / Mounting conditions' on page 5.

2.3 Product description

2.3.1 Overview

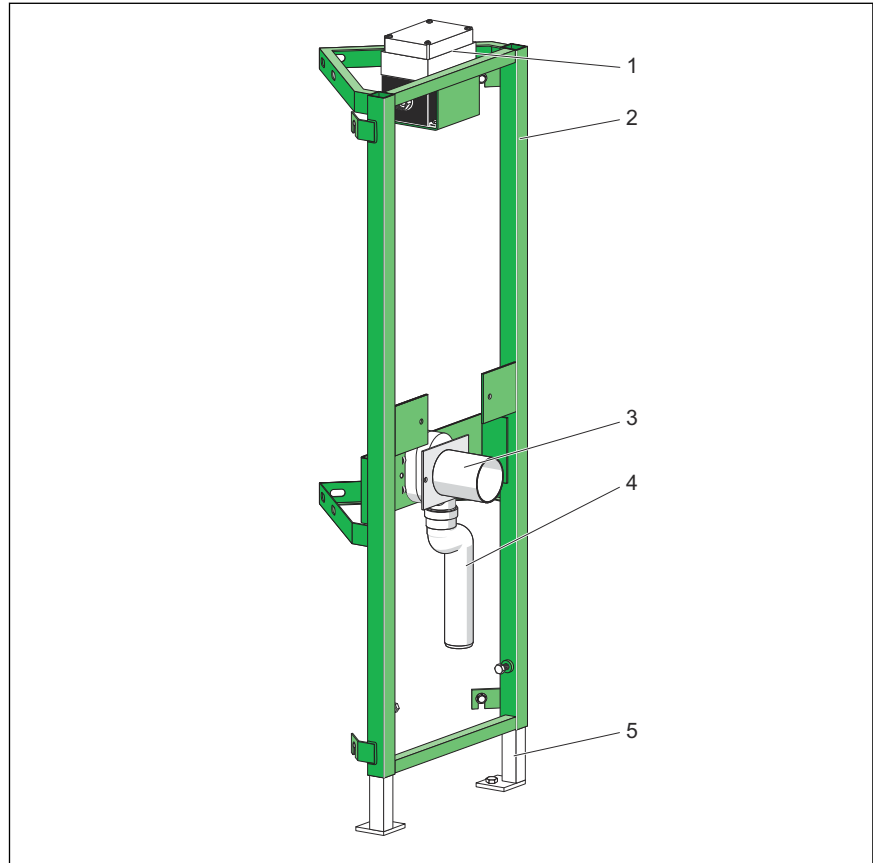


Fig. 1: Components

- 1 - installation set
- 2 - Viega Eco Plus corner element
- 3 - Siphon
- 4 - drain elbow
- 5 - adjustable feet

2.3.2 Compatible components

The urinal element is compatible with the urinals "Joly" and "Visit" by Keramag.

Compatible flush plates

| Product | Name | Model |
|------------------|---------------------------------|--------|
| Visign for Style | Flush plate Visign for Style 10 | 8315.2 |
| | Flush plate Visign for Style 11 | 8331.2 |

| Product | Name | Model |
|-----------------|---------------------------------|--------|
| Visign for More | Flush plate Visign for Style 12 | 8332.2 |
| | Flush plate Visign for Style 13 | 8333.2 |
| | Flush plate Visign for Style 14 | 8334.2 |
| | Flush plate Visign for More 100 | 8352.2 |
| | Flush plate Visign for More 102 | 8353.2 |
| | Flush plate Visign for More 103 | 8355.2 |
| | Flush plate Visign for More 104 | 8354.2 |

2.3.3 Sound protection

The urinal element complies with the noise insulation requirements specified in section [↗](#) 'Regulations from section: Sound protection' on page 5.

2.3.4 Technical data

The product has the following technical data:

| | |
|--|--------|
| drain elbow | DN 50 |
| Fitting connection | Rp ½ |
| Maximum height of urinal inlet from upper edge of the finished floor | 880 mm |

3 Handling

3.1 Assembly information

3.1.1 Mounting conditions

Suitable walls

The Viega urinal element is suitable for mounting on masonry wall constructions and support profiles pursuant to the regulations in section [↗](#) 'Regulations from section: Fields of application / Mounting conditions' on page 5.

The urinal element may only be mounted on even wall surfaces.

Construction height

With the construction height, the marked height of the upper edge of the finished floor must be observed.



The maximum height of the urinal inlet from upper edge of the finished floor = 880 mm.

Actuation

The urinal element can be extended by a manual actuation, [↗](#) Chapter 2.3.2 'Compatible components' on page 6.

3.1.2 Installation dimensions

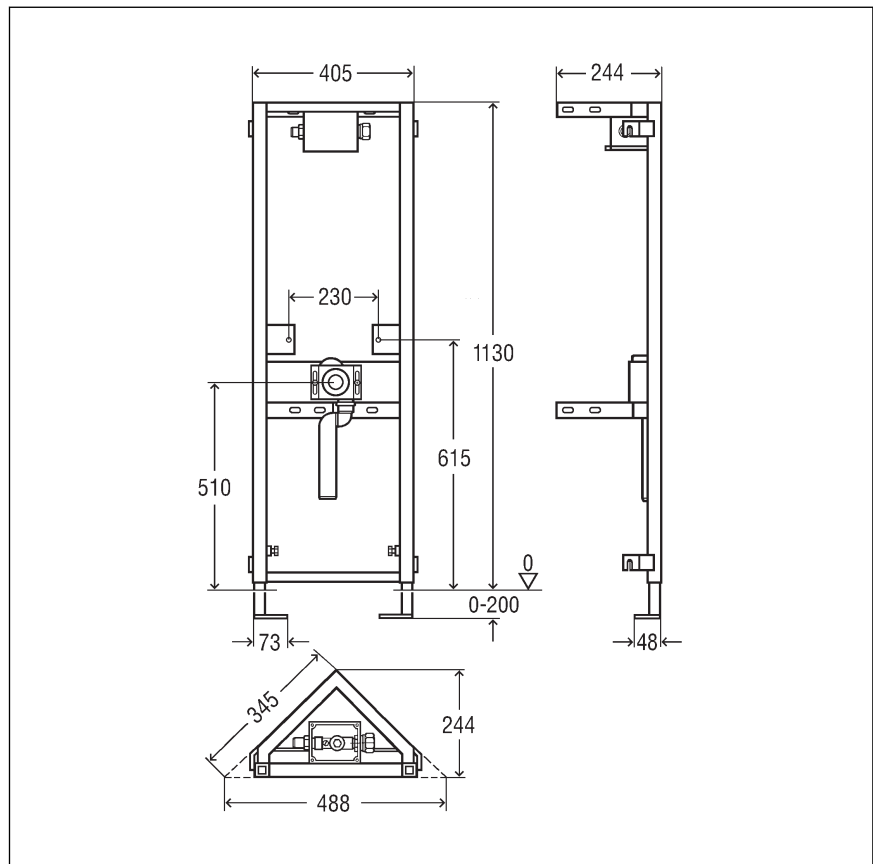


Fig. 2: Dimensions

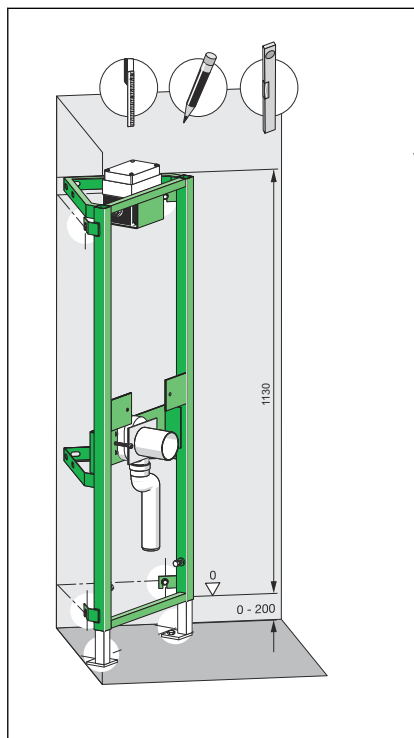
3.1.3 Required tools

- drill with 10 mm drill bit
- ratchet with sockets: 13 mm / 17 mm

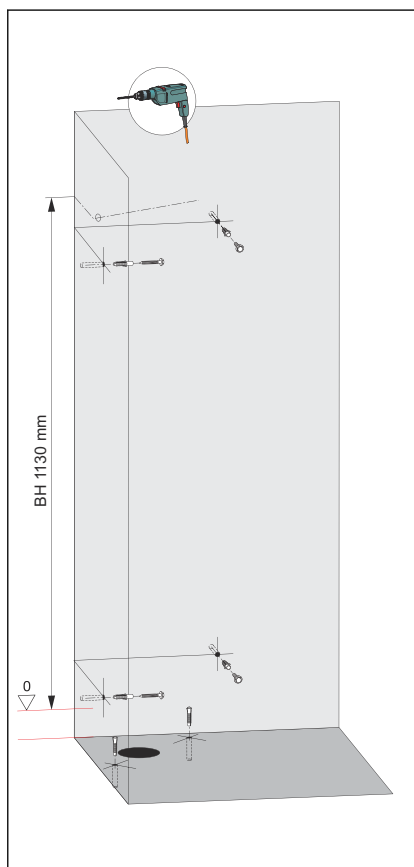
3.2 Assembly

3.2.1 Mounting the urinal element

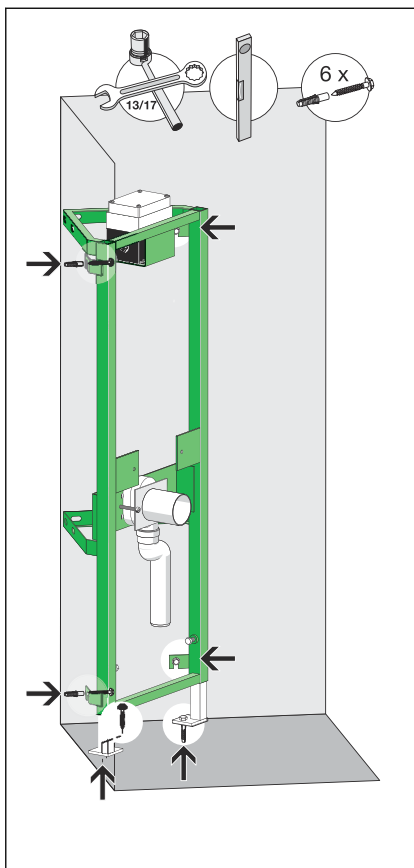
Mounting in a corner (approx. 90°)



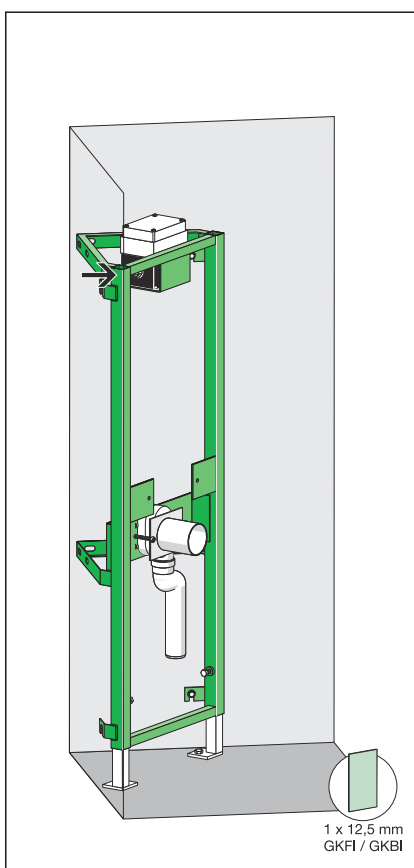
- Position the element at construction height.
- Align element.
- Mark drill holes.



- Drill holes for the wall fixing and the floor supports.
- Hit dowel (10 mm) into the wall/floor.

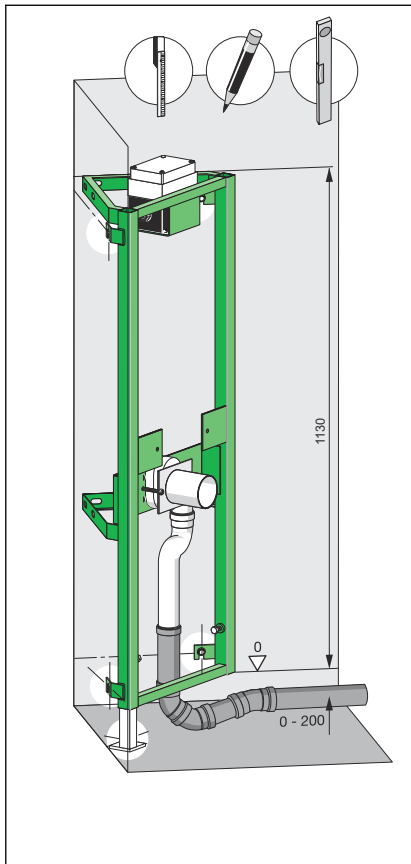


- Screw the element into the wall and into the floor (size 13 / 17).

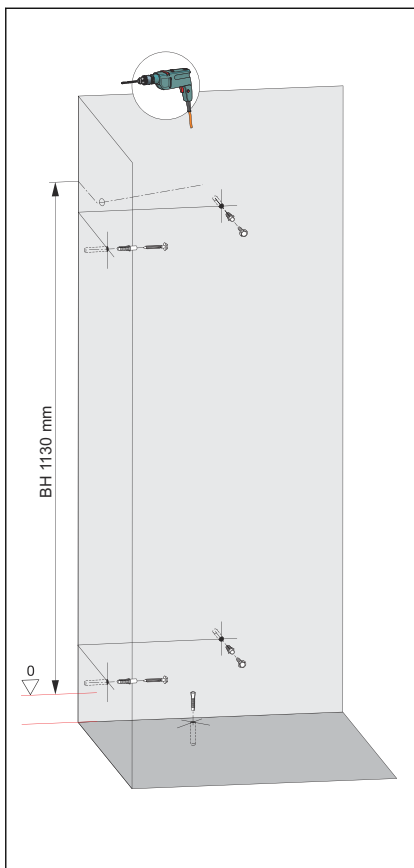


- Connect water and wastewater pipe.
- Clad the element with a single layer of IFGP cladding panels (1 x 12.5 mm).

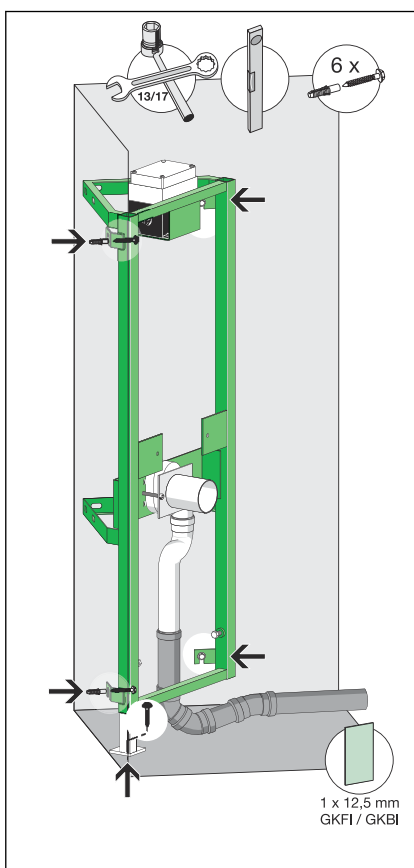
Mounting in the corner (approx. 90°) with cladding of the drainage line



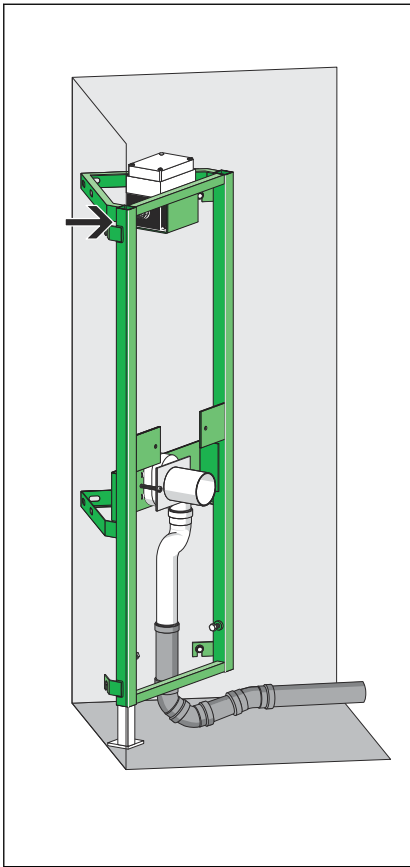
- Position the element at construction height.
- Remove the floor support where the drainage line is.
- Align element.
- Mark drill holes (5 wall fixings and one floor support).



- Drill holes for the wall fixing and the floor support.
- Hit dowel (10 mm) into the wall/floor.

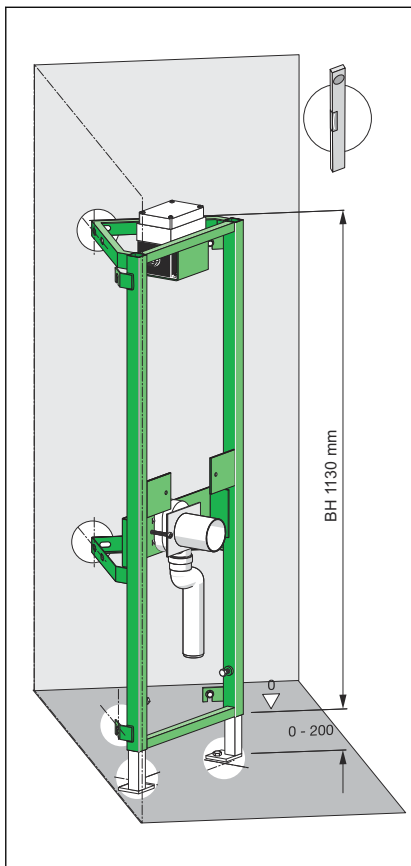


- Screw the element into the wall and into the floor (size 13 / 17).

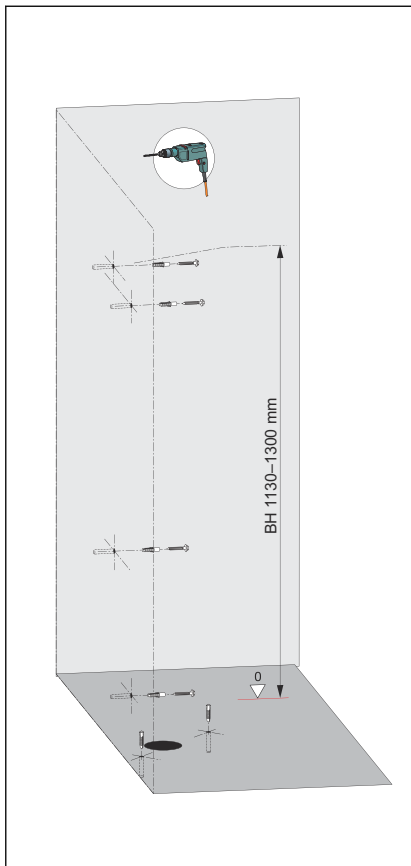


- Connect water and wastewater pipe.
- Clad the element with a single layer of IFGP cladding panels (1 x 12.5 mm).

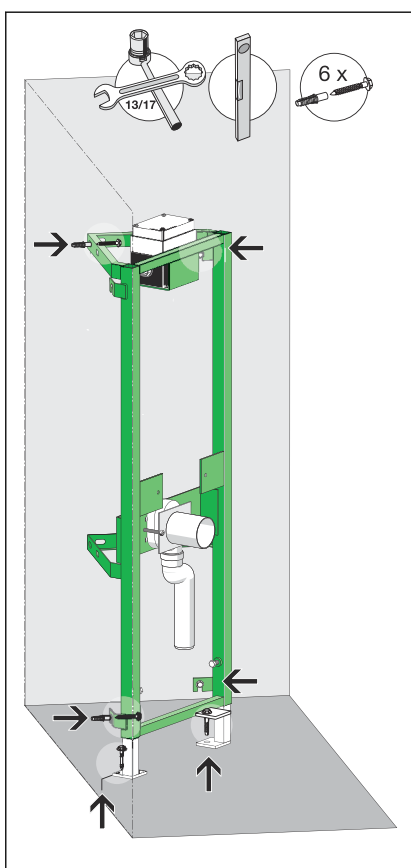
Mounting on the wall (one-sided fixing)



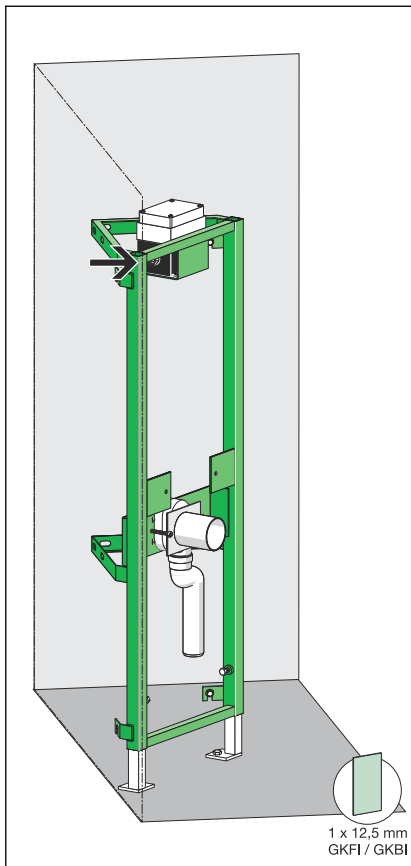
- Position the element at construction height.
- Align element.
- Mark drill holes (4 wall fixings and two floor supports).



- Drill holes for the wall fixing and the floor support.
- Hit dowel (10 mm) into the wall and the floor.

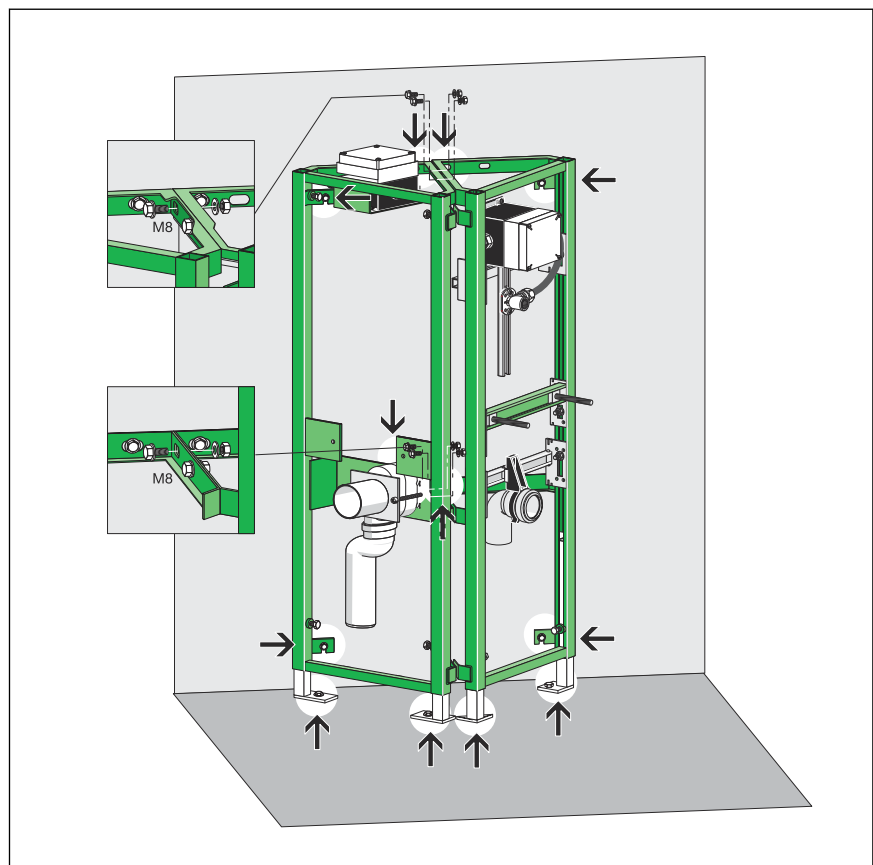


- Screw the element into the wall and into the floor (size 13).



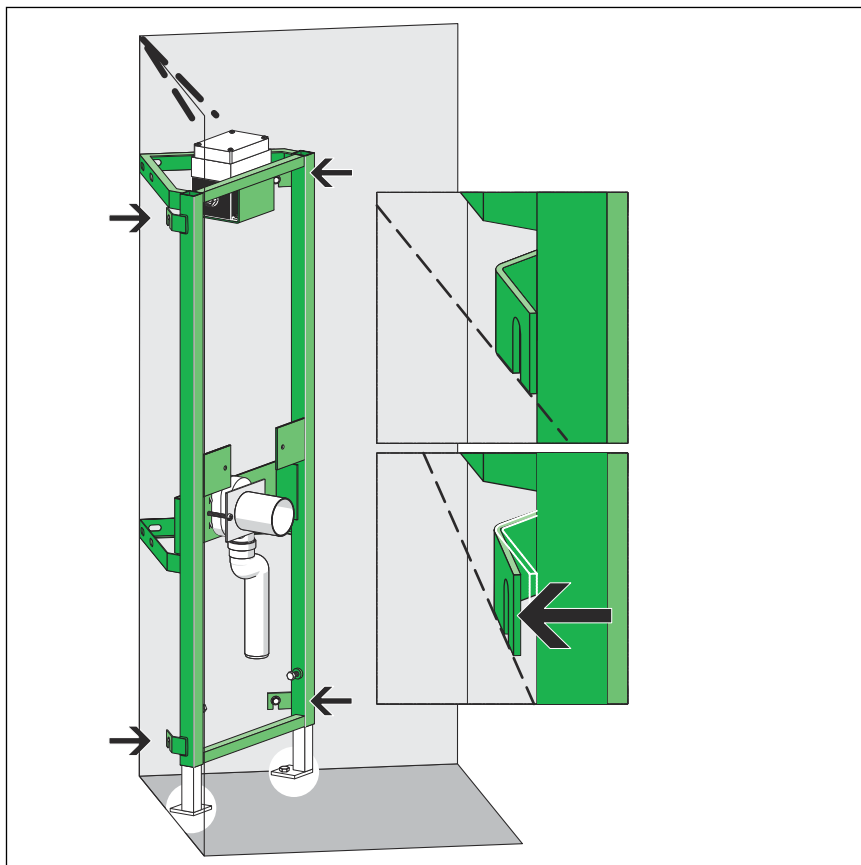
- Connect water and wastewater pipe.
- Clad the element with a single layer of IFGP cladding panels (1 x 12.5 mm).

Line mounting of corner elements



- Position the elements at construction height.
- Align elements.
- Mark drill holes (each 4 wall fixings and two floor supports).
- Drill holes for the wall fixing and the floor supports.
- Hit dowel (10 mm) into the wall and the floor.
- Screw elements into the wall, into the floor and together (size 13).
- Connect water and wastewater pipe.
- Clad the corner elements with a single layer of IFGP cladding panels (1 x 12.5 mm).

Mounting in a corner > 90°



- Position the element at construction height.
- Align element.
- Mark drill holes (4 wall fixings and two floor supports).
- Drill holes for the wall fixing and the floor support.
- Hit dowel (10 mm) into the wall and the floor.
- Screw the element into the wall and into the floor (size 13).
- Connect water and wastewater pipe.
- Clad the element with a single layer of IFGP cladding panels (1 x 12.5 mm).

3.3 Disposal

Separate the product and packaging materials (e. g. paper, metal, plastic or non-ferrous metals) and dispose of in accordance with valid national legal requirements.



Viega GmbH & Co. KG
service-technik@viega.de
viega.com

INT • 2022-08 • VPN170203

