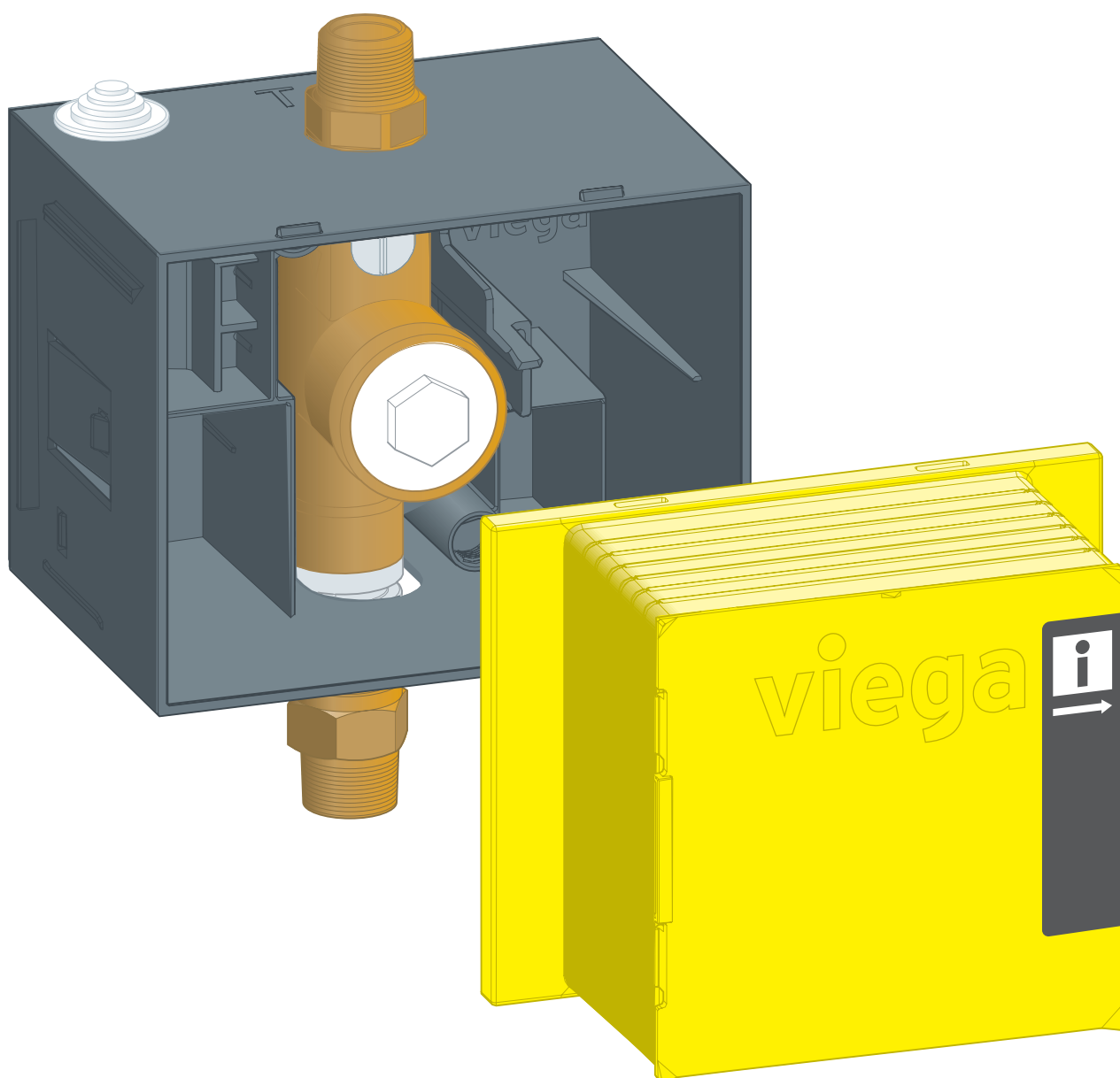


## Instructions for Use

# Prevista Pure urinal water pipe section



for urinals with concealed flushing system, urinal flush plates for  
Prevista (manual and touchless flush actuation)

**Model**  
8566

**Year built (from)**  
06/2019

**viega**

# Table of contents

<b>1</b>	<b>About these instructions for use</b>	<b>3</b>
	1.1 Target groups	3
	1.2 Labelling of notes	3
	1.3 About this translated version	4
<b>2</b>	<b>Product information</b>	<b>5</b>
	2.1 Standards and regulations	5
	2.2 Intended use	5
	2.2.1 Areas of use	5
	2.3 Product description	6
	2.3.1 Overview	6
	2.3.2 Technical data	6
<b>3</b>	<b>Handling</b>	<b>7</b>
	3.1 Assembly information	7
	3.1.1 Mounting conditions	7
	3.1.2 Installation dimensions	8
	3.2 Assembly	9
	3.2.1 Assembly	9
	3.3 Disposal	12

# 1 About these instructions for use

Trade mark rights exist for this document; for further information, go to [viega.com/legal](http://viega.com/legal).

## 1.1 Target groups

The information in this instruction manual is directed at the following groups of people:

- Heating and sanitary professionals and trained personnel

Individuals without the abovementioned training or qualification are not permitted to mount, install and, if required, maintain this product. This restriction does not extend to possible operating instructions.

The installation of Viega products must take place in accordance with the general rules of engineering and the Viega instructions for use.

## 1.2 Labelling of notes

Warning and advisory texts are set aside from the remainder of the text and are labelled with the relevant pictographs.



### **DANGER!**

This symbol warns of possible life-threatening injury.



### **WARNING!**

This symbol warns of possible serious injury.



### **CAUTION!**

This symbol warns of possible injury.



### **NOTICE!**

This symbol warns of possible damage to property.



This symbol gives additional information and hints.

### 1.3 About this translated version

This instruction for use contains important information about the choice of product or system, assembly and commissioning as well as intended use and, if required, maintenance measures. The information about the products, their properties and application technology are based on the current standards in Europe (e.g. EN) and/or in Germany (e.g. DIN/DVGW).

Some passages in the text may refer to technical codes in Europe/Germany. These should serve as recommendations in the absence of corresponding national regulations. The relevant national laws, standards, regulations, directives and other technical provisions take priority over the German/European directives specified in this manual: The information herein is not binding for other countries and regions; as said above, they should be understood as a recommendation.

## 2 Product information

### 2.1 Standards and regulations

The following standards and regulations apply to Germany / Europe and are provided as a support feature.

#### Regulations from section: Technical data

Scope / Notice	Regulations applicable in Germany
Flush flow	DIN 3265
Noise class	DIN 4109

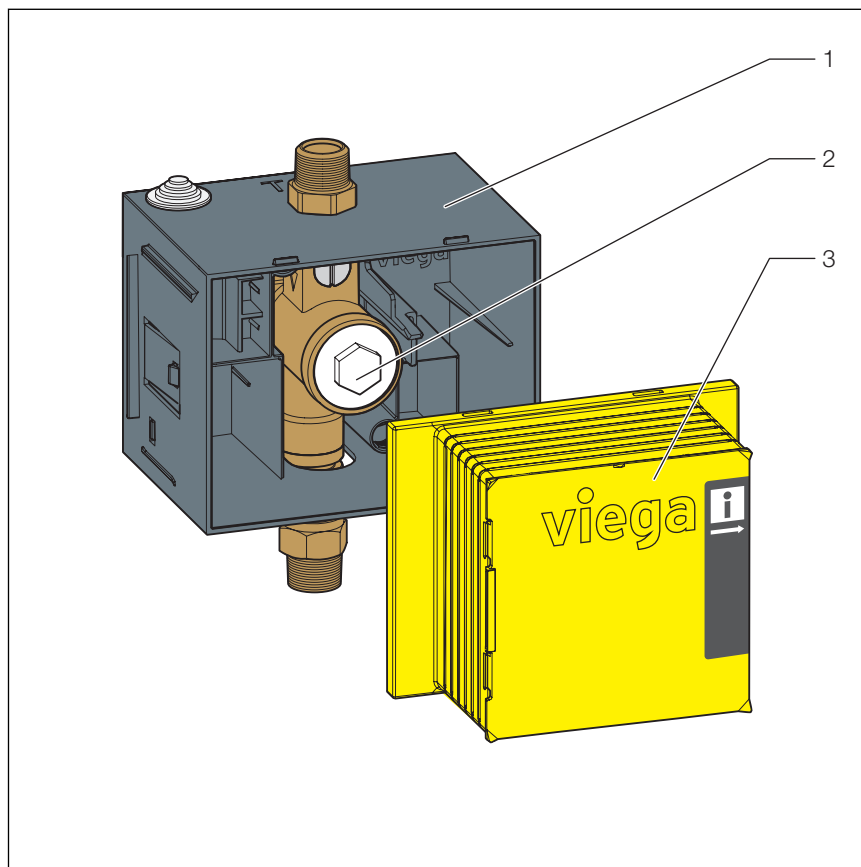
### 2.2 Intended use

#### 2.2.1 Areas of use

The Prevista Pure urinal water pipe section is an universal compact-design shell casing for urinals with concealed flushing systems and for urinal flush plates for Prevista (manual and touchless flush actuation).

## 2.3 Product description

### 2.3.1 Overview



- 1 Plastic installation box
- 2 Flush-through plug
- 3 Cleaning cover

### 2.3.2 Technical data

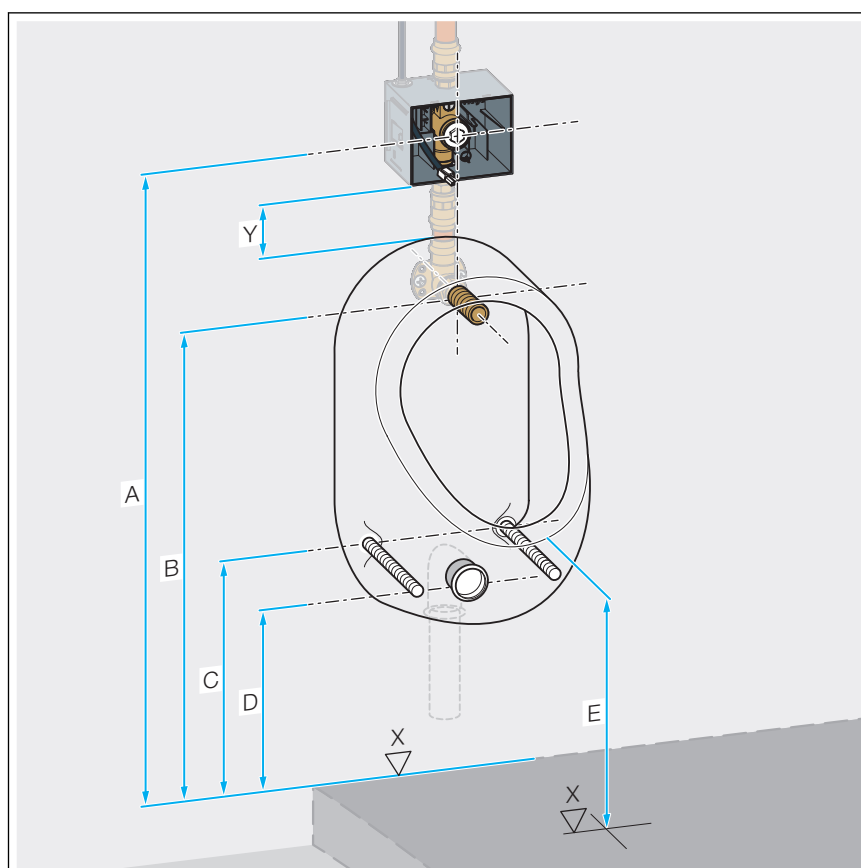
Operating voltage	230 V / 50 Hz (infrared 230 V)
Magnetic coil	6 V
Flow pressure	0.05–0.5 MPa (0.5–5 bar)
Calculated flow	0.3 l/s
Flush flow, see ☞ „Regulations from section: Technical data“ on page 5	0.3–0.7 l/s
Noise class, see ☞ „Regulations from section: Technical data“ on page 5	2

## 3 Handling

### 3.1 Assembly information

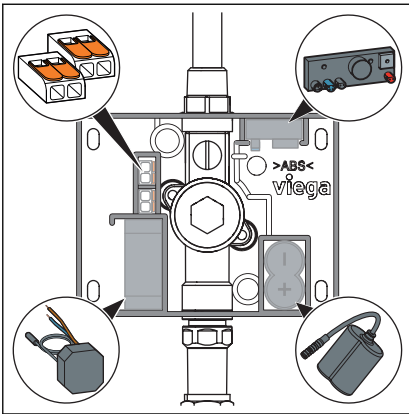
#### 3.1.1 Mounting conditions

##### Installation dimensions



**Fig. 1: Installation dimensions**

- A in accordance with manufacturer's documentation urinal ceramic
- B in accordance with manufacturer's documentation urinal ceramic
- C in accordance with manufacturer's documentation urinal ceramic
- D in accordance with manufacturer's documentation urinal ceramic
- E in accordance with manufacturer's documentation urinal ceramic
- X upper edge of the finished floor
- Y min. 40 mm



Location diagram for power pack, terminals, battery and control.

### 3.1.2 Installation dimensions

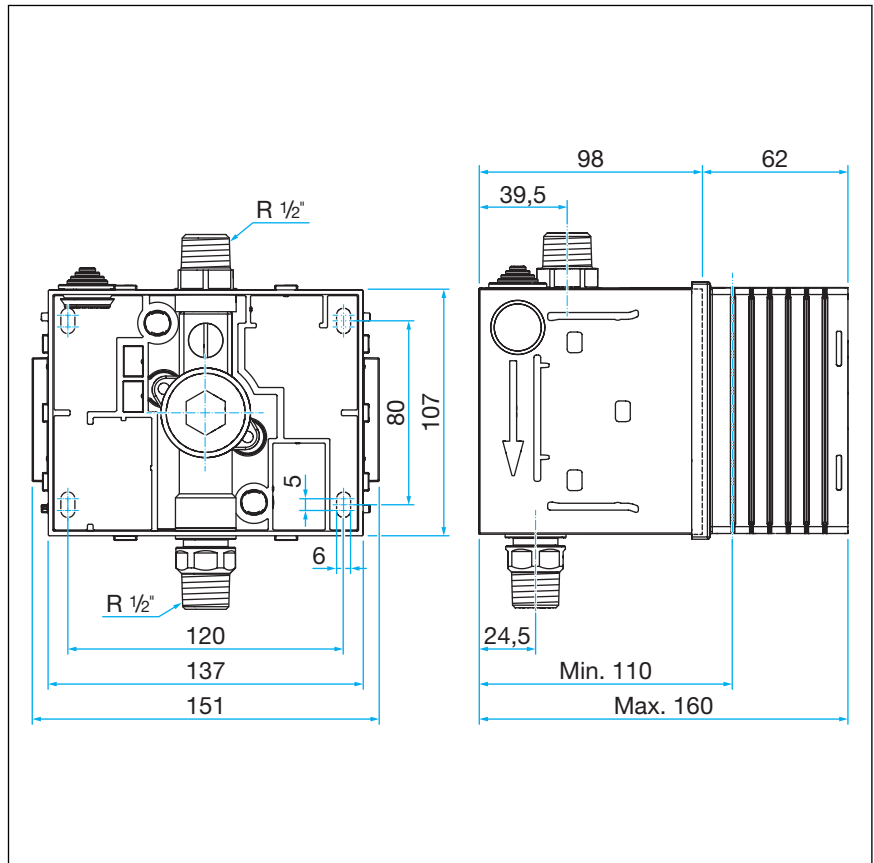


Fig. 2: Dimensional drawing



## 3.2 Assembly

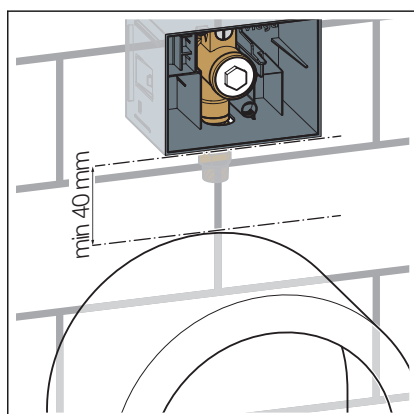
### 3.2.1 Assembly



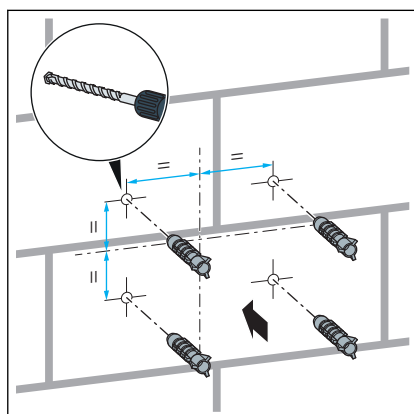
#### **DANGER!** **Danger due to electrical current**

An electric shock can lead to burns and serious injury and even death.

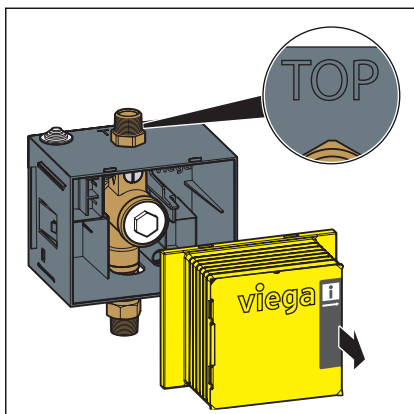
- Work on the electrics may only be carried out by trained electricians.
- Switch off the mains voltage before carrying out work on electrical parts.



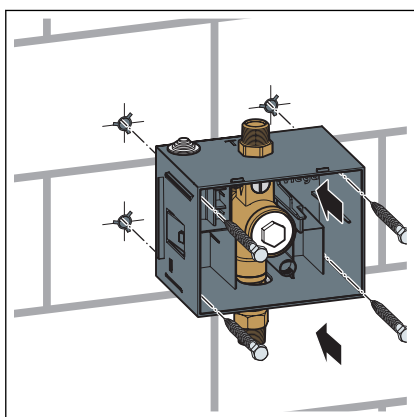
**INFO!** The distance from the box to the sanitary object must be at least 40 mm.



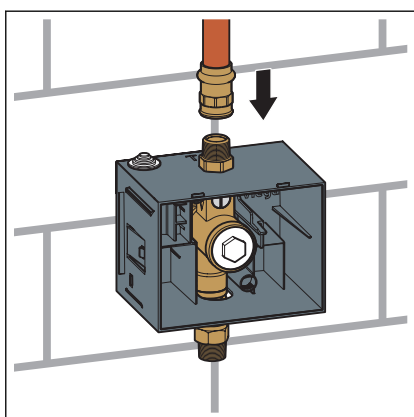
- Determine and mark the fixing points.
- Drill the holes and insert the dowels.



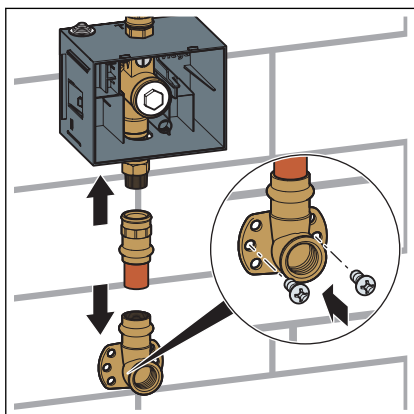
► Remove the site protection.



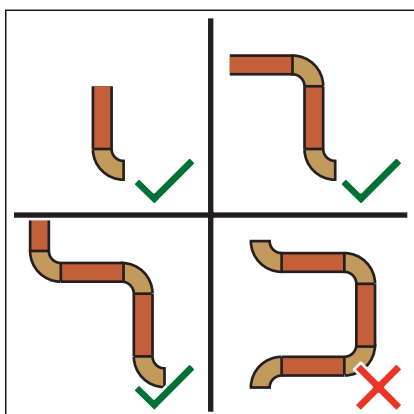
► Fasten the urinal water pipe section to the wall.



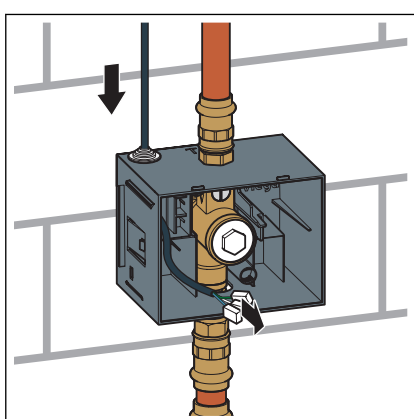
► Connect the water pipeline to the urinal water pipe section inlet.



► Install the water pipeline from the urinal water pipe section up to the sanitary object.

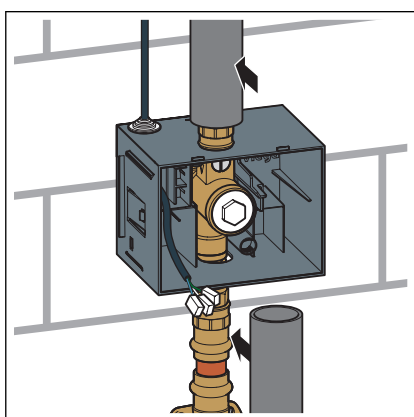


**INFO!** Connect a maximum of three elbows.

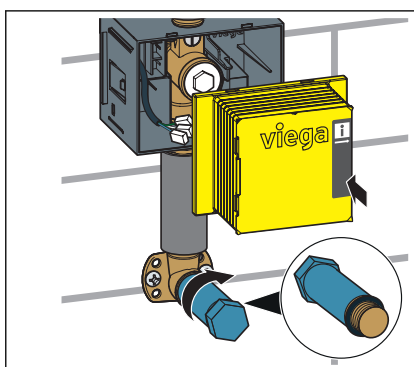


**DANGER!** Risk of electric shock. An electric shock can lead to burns and serious injury and even death.

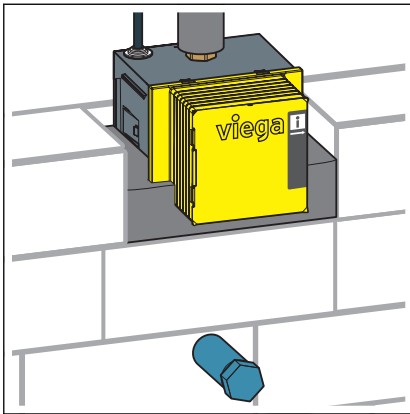
- Only allow electrical work to be carried out by qualified electricians.
- Always de-energise the connection cable before work is commenced.
- Once the product has been mounted and commissioned, hand over this manual to the operator.
- For infrared actuation, insert the cable laid by the customer into the casing of the urinal water pipe section.



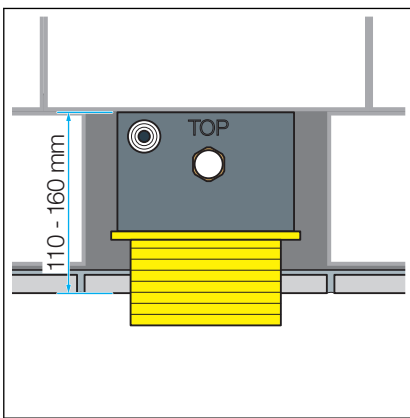
- Insulate the pipe.



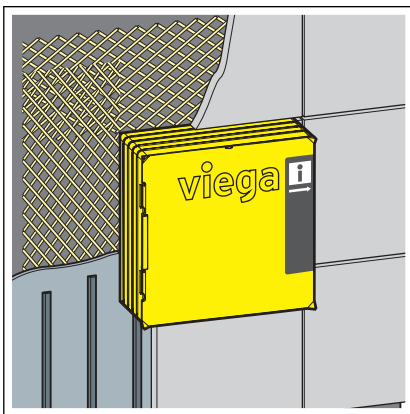
- Replace the site protection.
- Screw the seal plug in.



➤ Wall in the urinal water pipe section.



**INFO!** Observe the maximum plaster thickness.



➤ Plaster the urinal water pipe section and tile.

### 3.3 Disposal

Separate the product and packaging materials (e. g. paper, metal, plastic or non-ferrous metals) and dispose of in accordance with valid national legal requirements.



**Viega Technology GmbH & Co. KG**

service-technik@viega.de

viega.com

INT • 2020-07 • VPN200195

