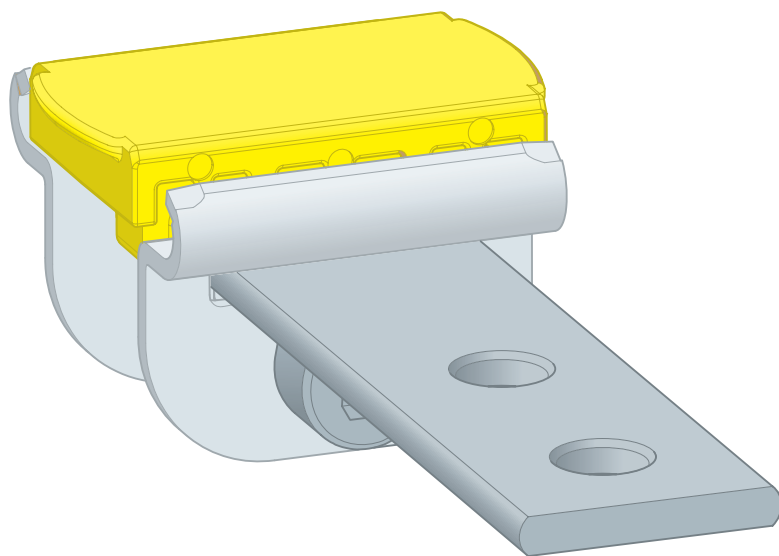


Instructions for Use

Prevista Dry Plus-pipe holder set



Suitable for Prevista Dry Plus mounting rail model 8401

Model
8417

Year built (from)
02/2021

Table of contents

1	About these instructions for use	3
	1.1 Target groups	3
	1.2 Labelling of notes	3
	1.3 About this translated version	4
2	Product information	5
	2.1 Intended use	5
	2.1.1 Areas of use	5
	2.2 Product description	5
	2.2.1 Overview	5
	2.2.2 Compatible components	5
3	Handling	7
	3.1 Assembly information	7
	3.1.1 Installation dimensions	7
	3.2 Assembly	8
	3.2.1 Installing the pipe holder set	8
	3.3 Disposal	9

1 About these instructions for use

Trade mark rights exist for this document; for further information, go to viega.com/legal.

1.1 Target groups

The information in this instruction manual is directed at the following groups of people:

- Heating and plumbing experts and trained personnel
- Drywall builders

Individuals without the above-mentioned training or qualifications are not permitted to mount, install or, if appropriate, maintain this product. This restriction does not extend to possible operating instructions.

The installation of Viega products must take place in accordance with the generally accepted rules of engineering and the Viega instructions for use.

1.2 Labelling of notes

Warning and advisory texts are set aside from the remainder of the text and are labelled with the relevant pictographs.



DANGER!

This symbol warns of possible life-threatening injury.



WARNING!

This symbol warns of possible serious injury.



CAUTION!

This symbol warns of possible injury.



NOTICE!

This symbol warns of possible damage to property.



This symbol gives additional information and hints.

1.3 About this translated version

This instruction for use contains important information about the choice of product or system, assembly and commissioning as well as intended use and, if required, maintenance measures. The information about the products, their properties and application technology are based on the current standards in Europe (e.g. EN) and/or in Germany (e.g. DIN/DVGW).

Some passages in the text may refer to technical codes in Europe/Germany. These should serve as recommendations in the absence of corresponding national regulations. The relevant national laws, standards, regulations, directives and other technical provisions take priority over the German/European directives specified in this manual: The information herein is not binding for other countries and regions; as said above, they should be understood as a recommendation.

2 Product information

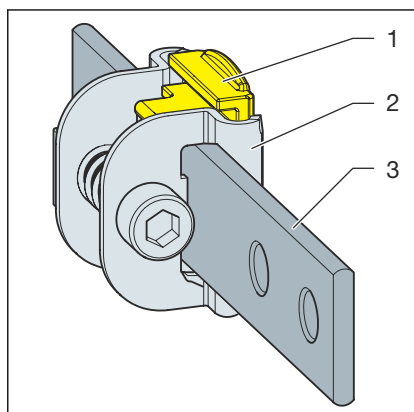
2.1 Intended use

2.1.1 Areas of use

The Prevista Dry Plus-pipe holder set is intended for fastening threaded rods and pipe clamps.

2.2 Product description

2.2.1 Overview



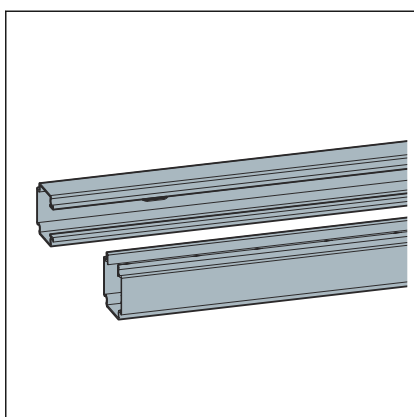
- 1 Plug-in piece
- 2 Tendon
- 3 Strap

The pipe holder set made of galvanized steel is equipped with two M8 threads for the attachment of threaded rods and pipe clamps.

Fig. 1: Pipe holder set

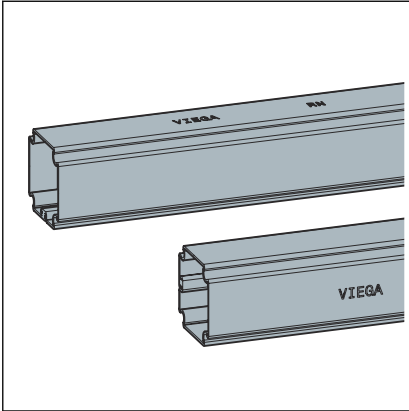
2.2.2 Compatible components

Mounting rails



The mounting rail made of galvanised steel is 5 m long, open on one side and perforated every 30 cm for wall and floor mounting.

Fig. 2: Mounting rail, open on one side, Model 8401



The mounting rail made of galvanized steel is 5 m long.

Fig. 3: Mounting rail, closed, model 8402

3 Handling

3.1 Assembly information

3.1.1 Installation dimensions

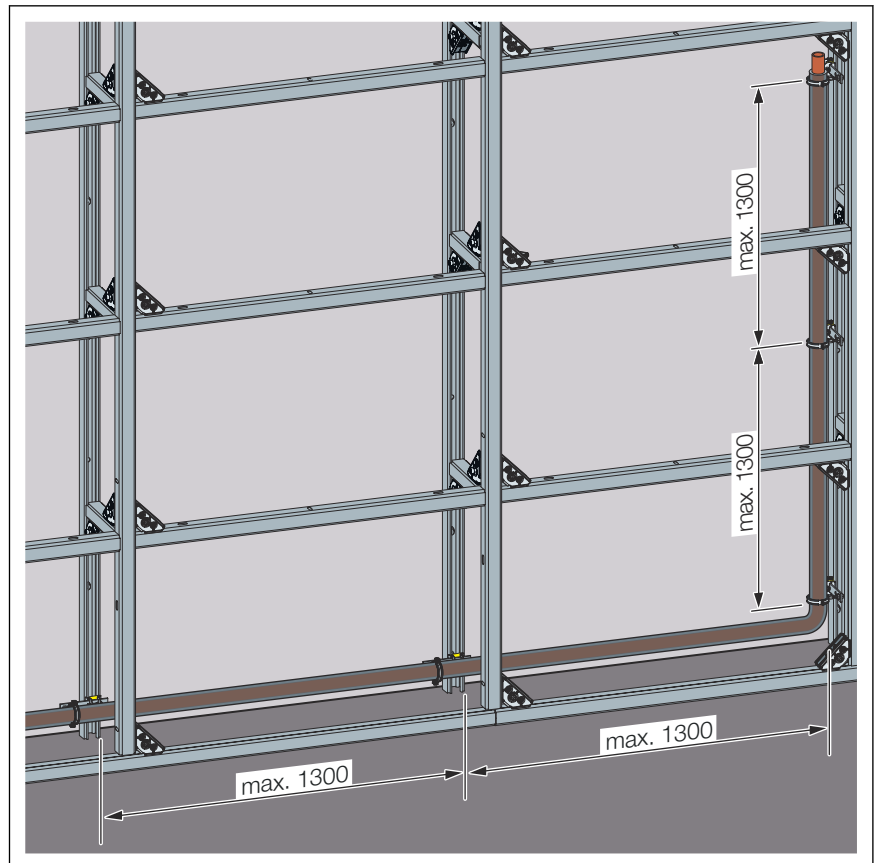
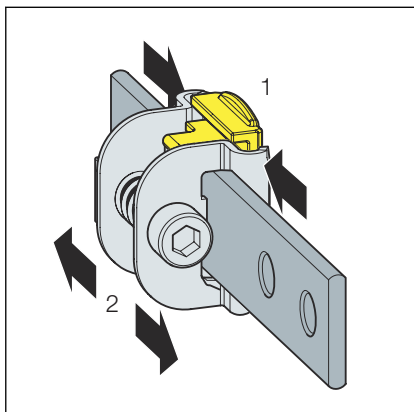


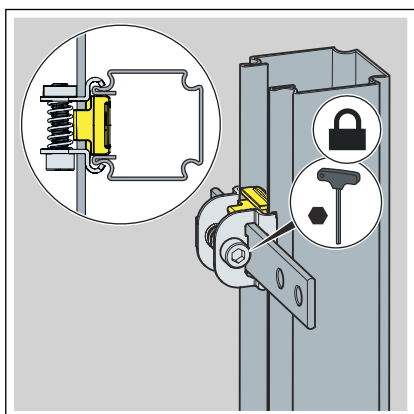
Fig. 4: Fixing distances

3.2 Assembly

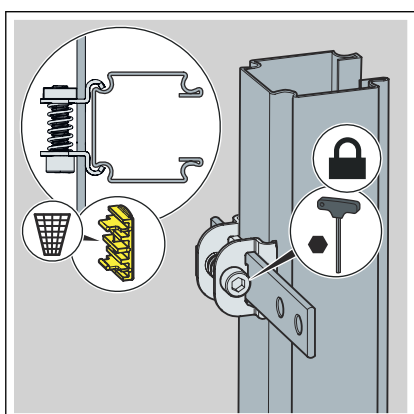
3.2.1 Installing the pipe holder set



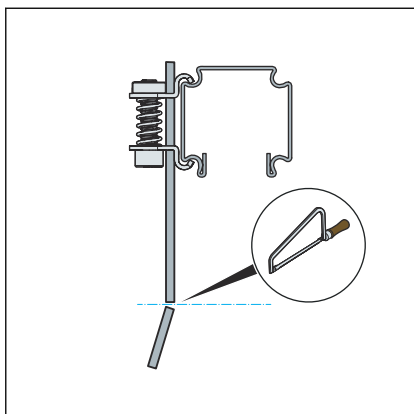
- If necessary, slightly compress and move the tendon.



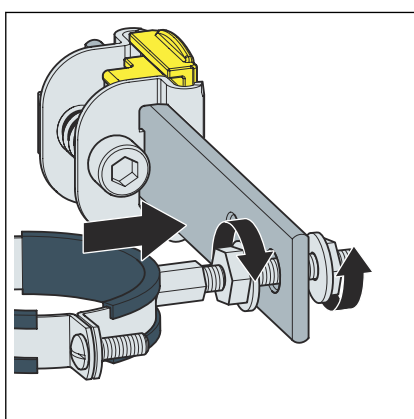
- On the open side of the mounting rail, mount the pipe holder set with the plug-in piece on the rail (SW 5).



- On the closed side of the mounting rail, remove the plug-in piece of the pipe holder set.
- Mount the pipe holder set on the closed side (SW 5).



- If necessary, cut the protruding part of the pipe holder to length with a hacksaw.



- Mount the threaded rod and the clamp.
- Lock with two M8 threaded nuts.

3.3 Disposal

Separate the product and packaging materials (e. g. paper, metal, plastic or non-ferrous metals) and dispose of in accordance with valid national legal requirements.



Viega GmbH & Co. KG
service-technik@viega.de
viega.com

INT • 2022-08 • VPN200445

