

Instructions for Use

Drain valve set



for dual flush technology, flush actuation from front, concealed
cistern 3F

Model
8580.2

Year built (from)
04/2019



Table of contents

1	About these instructions for use	3
	1.1 Target groups	3
	1.2 Labelling of notes	3
	1.3 About this translated version	4
2	Product information	5
	2.1 Area of application	5
	2.2 Overview	5
3	Handling	6
	3.1 Assembly	6
	3.1.1 Replacing the drain valve set	6
	3.2 Disposal	11

1 About these instructions for use

1.1 Target groups

The information in this instruction manual is directed at the following groups of people:

- Heating and plumbing experts and trained personnel

Individuals without the abovementioned training or qualification are not permitted to mount, install and, if required, maintain this product. This restriction does not extend to possible operating instructions.

The installation of Viega products must take place in accordance with the general rules of engineering and the Viega instructions for use.

1.2 Labelling of notes

Warning and advisory texts are set aside from the remainder of the text and are labelled with the relevant pictographs.



DANGER!

This symbol warns of possible life-threatening injury.



WARNING!

This symbol warns of possible serious injury.



CAUTION!

This symbol warns of possible injury.



NOTICE!

This symbol warns of possible damage to property.



This symbol gives additional information and hints.

1.3 About this translated version

This instruction for use contains important information about the choice of product or system, assembly and commissioning as well as intended use and, if required, maintenance measures. The information about the products, their properties and application technology are based on the current standards in Europe (e.g. EN) and/or in Germany (e.g. DIN/DVGW).

Some passages in the text may refer to technical codes in Europe/Germany. These should serve as recommendations in the absence of corresponding national regulations. The relevant national laws, standards, regulations, directives and other technical provisions take priority over the German/European directives specified in this manual: The information herein is not binding for other countries and regions; as said above, they should be understood as a recommendation.

2 Product information

2.1 Area of application

The drain valve set is suitable for the concealed cistern 3F.

2.2 Overview

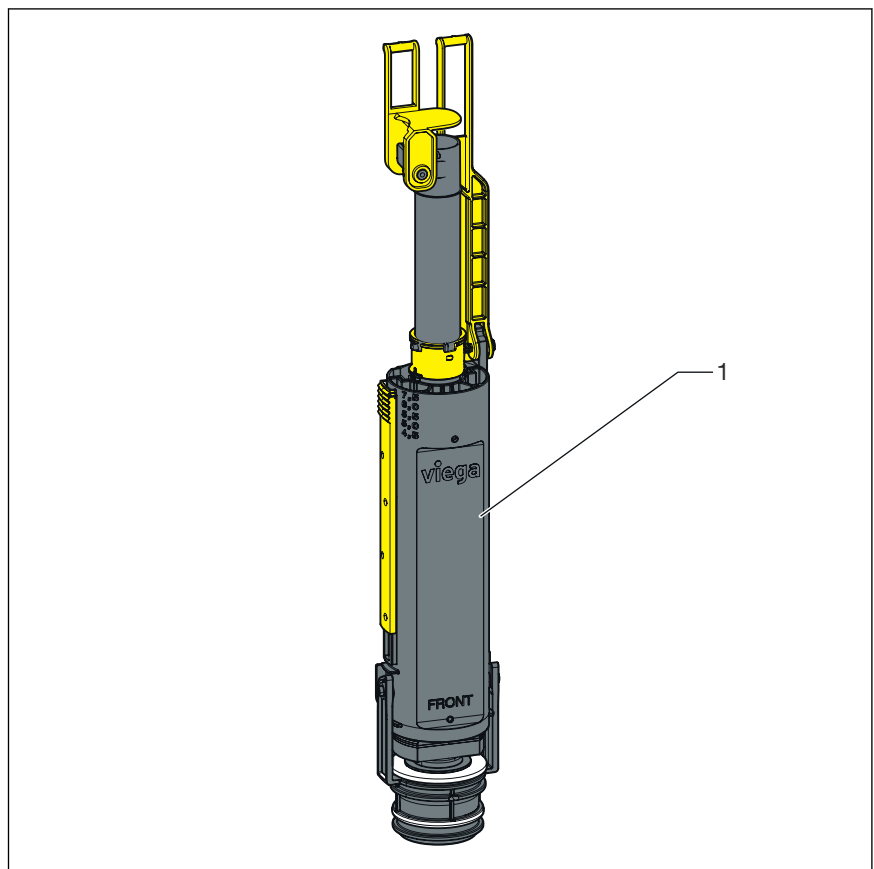


Fig. 1: Drain valve set

1 Drain valve

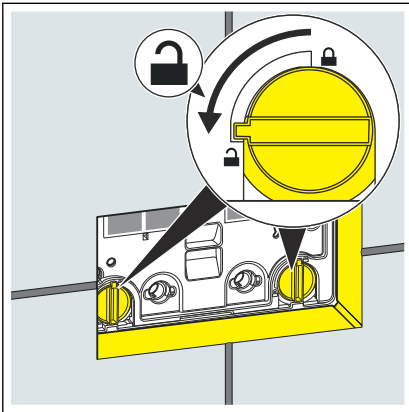
3 Handling

3.1 Assembly

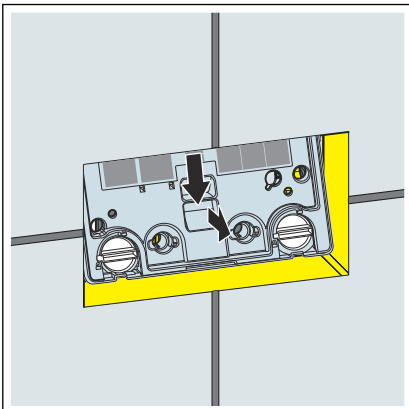
3.1.1 Replacing the drain valve set

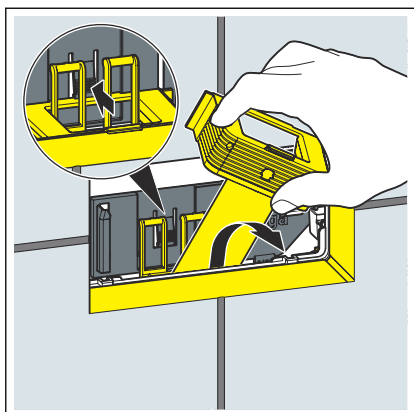
Requirements:

- The cistern is freely accessible.
- The water supply has been shut off.
- The ceramic has been mounted.
- Turn the site protection panel lock 90° anti-clockwise.

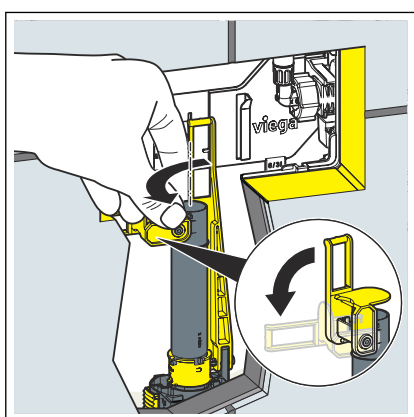


- Remove the site protection panel.

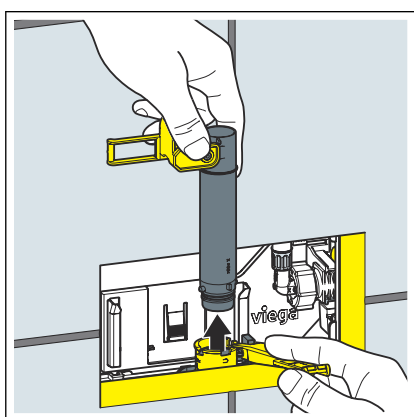




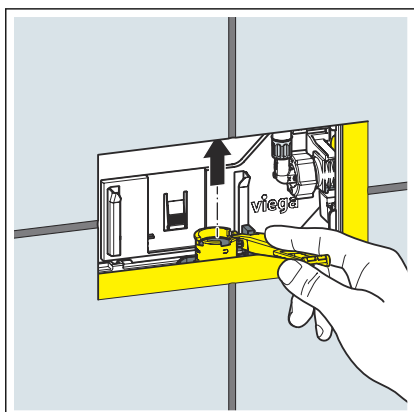
- Push the clip backwards.
- Remove the spacer through the revision opening.



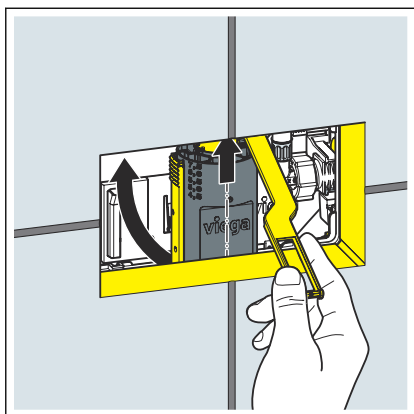
- Fold the tab to the side.



- Remove the overflow pipe through the revision opening.



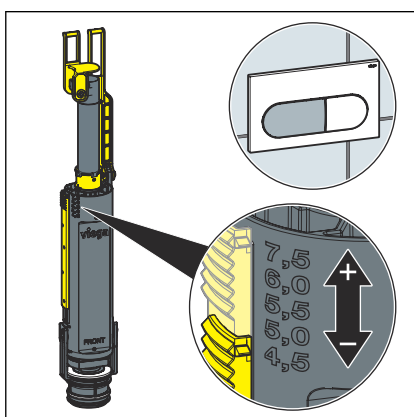
- Pull the drain valve upwards on the tab.



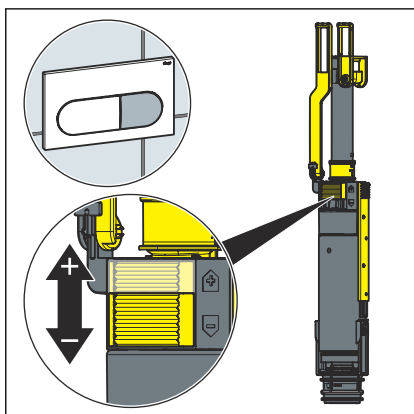
► Lift the drain valve.



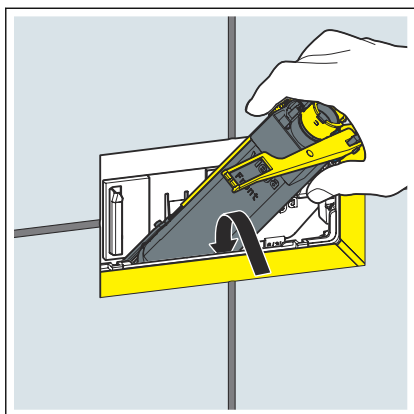
► Remove the drain valve through the inspection opening and dispose of it.



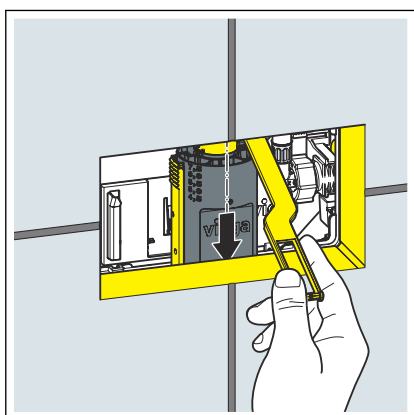
► Set the large flush volume at the new drain valve.



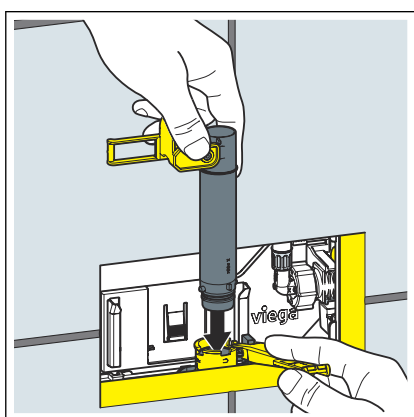
► Set the small flush volume at the drain valve.



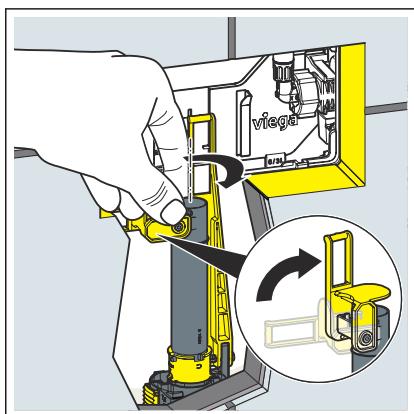
► Insert the drain valve.



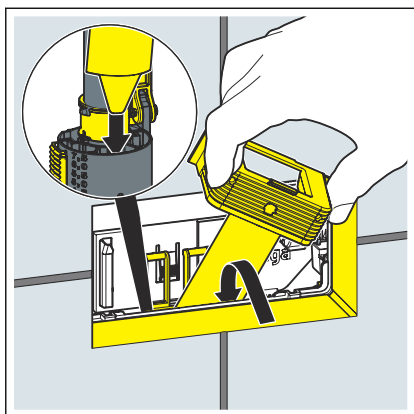
► Pull the drain valve downwards on the tab.



► Insert the overflow pipe into the drain valve.

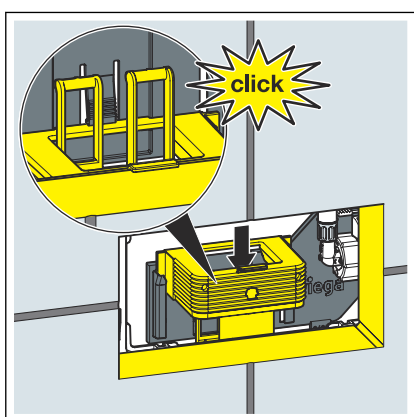


► Fold the tab upwards.

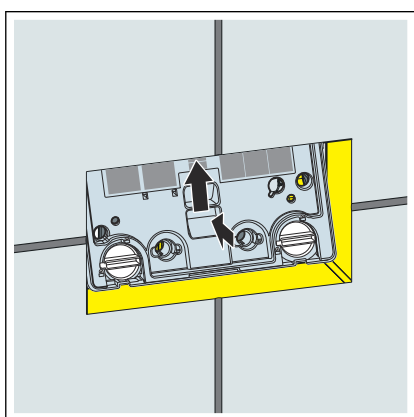


► Insert the spacer.

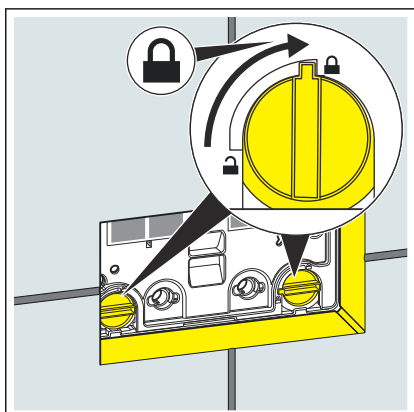
INFO! Insert the tip of the spacer into the drain valve.



► The spacer can be heard locking into place.



► Insert the site protection panel into the cistern.



► Turn the site protection panel's lock by 90° clockwise.

3.2 Disposal

Separate the product and packaging materials (e. g. paper, metal, plastic or non-ferrous metals) and dispose of in accordance with valid national legal requirements.



Viega GmbH & Co. KG
service-technik@viega.de
viega.com

INT • 2022-08 • VPN220211

