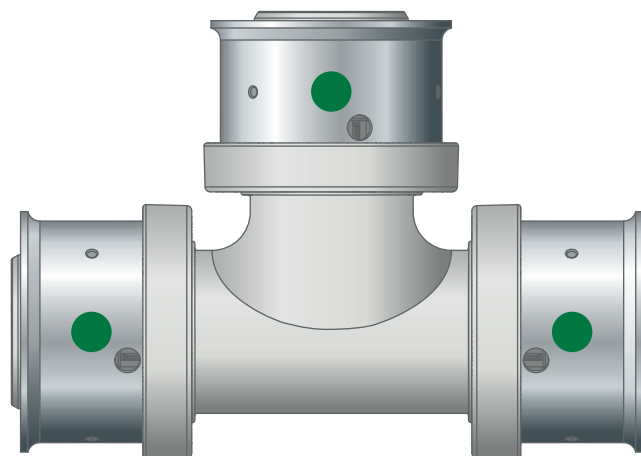
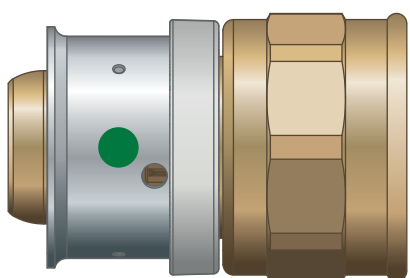
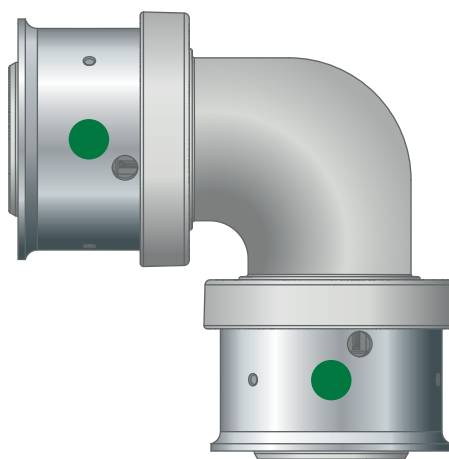
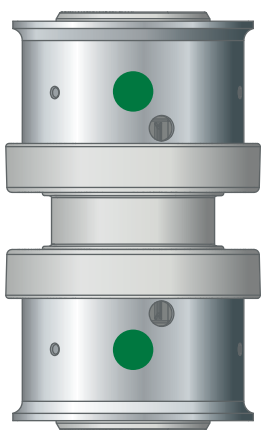


Instructions for Use

Pexfit Pro



Press connector system for potable water installations in acc. with DIN 1988 and DIN 50930-6 as well as heating installations, tested in acc. with DVGW worksheet W 534.

System
Pexfit Pro

Year built (from)
01/2009

viega

Table of contents

1	About these instructions for use	3
	1.1 Target groups	3
	1.2 Labelling of notes	3
	1.3 About this translated version	4
2	Product information	5
	2.1 Standards and regulations	5
	2.2 Intended use	6
	2.2.1 Areas of application	6
	2.2.2 Media	7
	2.3 Product description	7
	2.3.1 Overview	7
	2.3.2 Pipes	8
	2.3.3 Press connectors	12
	2.3.4 Markings on components	13
	2.3.5 Mixed installations	14
	2.4 Information for use	14
	2.4.1 Chemical resistance	14
3	Handling	16
	3.1 Storage	16
	3.2 Assembly information	16
	3.2.1 Mounting instructions	16
	3.2.2 Space requirements and intervals	17
	3.2.3 Required tools	19
	3.3 Assembly	20
	3.3.1 Bending pipes	20
	3.3.2 Cutting pipes to length	20
	3.3.3 Calibrating the pipes	22
	3.3.4 Pressing the connection	23
	3.3.5 Leakage test	24
	3.4 Maintenance	24
	3.5 Disposal	24

1 About these instructions for use

Trade mark rights exist for this document; for further information, go to viega.com/legal.

1.1 Target groups

The information in this manual is directed at heating and sanitary professionals and trained personnel.

Individuals without the abovementioned training or qualification are not permitted to mount, install and, if required, maintain this product. This restriction does not extend to possible operating instructions.

The installation of Viega products must take place in accordance with the general rules of engineering and the Viega instructions for use.

1.2 Labelling of notes

Warning and advisory texts are set aside from the remainder of the text and are labelled with the relevant pictographs.



DANGER!

This symbol warns of possible life-threatening injury.



WARNING!

This symbol warns of possible serious injury.



CAUTION!

This symbol warns of possible injury.



NOTICE!

This symbol warns of possible damage to property.



This symbol gives additional information and hints.

1.3 About this translated version

This instruction for use contains important information about the choice of product or system, assembly and commissioning as well as intended use and, if required, maintenance measures. The information about the products, their properties and application technology are based on the current standards in Europe (e.g. EN) and/or in Germany (e.g. DIN/DVGW).

Some passages in the text may refer to technical codes in Europe/Germany. These should serve as recommendations in the absence of corresponding national regulations. The relevant national laws, standards, regulations, directives and other technical provisions take priority over the German/European directives specified in this manual: The information herein is not binding for other countries and regions; as said above, they should be understood as a recommendation.

2 Product information

2.1 Standards and regulations

The following standards and regulations apply to Germany / Europe and are provided as a support feature.

Regulations from section: Application areas

Scope / Notice	Regulations applicable in Germany
Planning, execution, operation and maintenance of potable-water installations	DIN EN 806, part 1-5
Planning, execution, operation and maintenance of potable-water installations	DIN EN 1717
Planning, execution, operation and maintenance of potable-water installations	DIN 1988
Planning, execution, operation and maintenance of potable-water installations	VDI/DVGW 6023
Planning, execution, operation and maintenance of potable-water installations	Trinkwasserverordnung (TrinkwV)

Regulations from section: Chemical resistance

Scope / Notice	Regulations applicable in Germany
Regulations for external corrosion protection	DIN EN 806, Part 2
Regulations for external corrosion protection	DIN 1988
Regulations for external corrosion protection	DIN 1988-200

Regulations from section: Storage

Scope / Notice	Regulations applicable in Germany
Requirements for material storage	DIN EN 806-4, Chapter 4.2

Regulations from section: Leakage test

Scope / Notice	Regulations applicable in Germany
Test on a system that is finished but not yet covered	DIN EN 806-4
Leakage test for water installations	ZVSHK-Merkblatt: "Dichtheitsprüfungen von Trinkwasserinstallationen mit Druckluft, Inertgas oder Wasser"

Regulations from section: Maintenance

Scope / Notice	Regulations applicable in Germany
Operation and maintenance of potable water installations	DIN EN 806-5

2.2 Intended use



Agree the use of the system for areas of application and media other than those described with Viega.

2.2.1 Areas of application

Use is possible in the following areas among others:

- Pexfit Pro multi-layer pipe (dimensionally stable with oxygen barrier layer)
 - potable water installations
 - Heating installations
 - Compressed air systems
- Pexfit Pro solid plastic pipe (PE-RT Type II, flexible without oxygen barrier)
 - potable water installations

Potable-water installation

Observe the applicable guidelines for planning, installation, operation and maintenance of potable water installations, see ↗ *'Regulations from section: Application areas'* on page 5.

Maintenance

Inform your customer or the operator of the potable water installation that the system has to be maintained on a regular basis, see ↗ 'Regulations from section: Application areas' on page 5.

Installation surroundings

The system is only intended for installation inside buildings.

Use of the system outside or in special surroundings must be agreed with the Viega Service Center.

2.2.2 Media

The system is suitable for the following media, amongst others:

- Viega Pexfit Pro multi-layer pipes (dimensionally stable with oxygen barrier layer)
 - Potable water
 - Heating water
 - Rainwater
 - Compressed air
- Pexfit Pro solid plastic pipe (PE-RT Type II, flexible without oxygen barrier)
 - Potable water

Operating conditions

Operating temperature max.

- Sanitary installations: T_D 70 °C
- Heating installations: T_D 80 °C

Operating pressure max.

- Sanitary installations:
 - Multi-layer pipe: 1.0 MPa (10 bar)
 - Solid plastic pipe: 0.8 MPa (8 bar)
- Heating installations: 1.0 MPa (10 bar)

Processing temperatures

- 5–50 °C

2.3 Product description

2.3.1 Overview

The piping system consists of various pipes and press connectors.

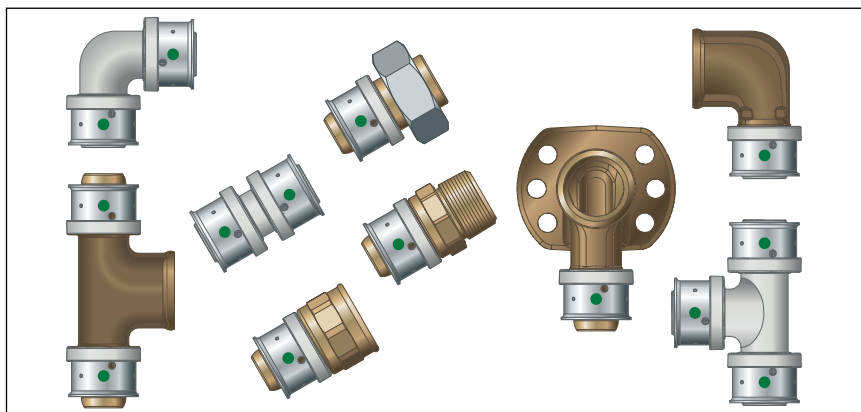


Fig. 1: Pexfit Pro press connectors

The system components are available in the following dimensions:
d 16 / 20 / 25 / 32 / 40 / 50 / 63.

Pexfit Pro press connectors (elbows, T-pieces and couplings) in the dimensions 16–25 are made of PPSU. All threaded connectors and components in the dimensions 32–63 are made of gunmetal/silicon bronze.

2.3.2 Pipes

Pexfit Pro multi-layer pipes, with or without protective pipe, with various thicknesses of insulation are available in coiled bundles. Dimensionally stable multi-layer pipes are also available in 5 m lengths. The following pipes are available from the system described:

Pexfit Pro multi-layer pipe	
Dimensionally stable	
With oxygen barrier layer	
d16, 20, 25, 32, 40, 50, 63	

Pexfit Pro multi-layer pipe

Type of pipe	d	Areas of application
Pipe in lengths	16, 20, 25, 32, 40, 50, 63	Potable water and heating installations
Pipe without protective pipe	16, 20, 25, 32	Potable water and heating installations
Pipe with protective pipe (black, blue, red)	16, 20, 25	Potable water and heating installations

Type of pipe	d	Areas of application
Pipe with 6 mm surrounding insulation (blue)	16, 20	Potable water and heating installations
Pipe with 9 mm surrounding insulation (blue)	25	Potable water and heating installations

Pexfit Pro (PE-RT Type II/Al/PE-RT Type II)
Dimensionally stable
With oxygen barrier layer
d 16, 20

Pexfit Pro (PE-RT Type II/Al/PE-RT Type II)

Type of pipe	d	Areas of application
Pipe without protective pipe	16, 20	Potable water and heating installations
Pipe with protective pipe (black)	16, 20	Potable water and heating installations
Pipe with 6 mm surrounding insulation (blue)	16, 20	Potable water and heating installations

Pexfit Pro solid plastic pipes, with or without protective pipe, are available in coiled bundles. The following pipes are available from the system described:

Pexfit Pro (PE-RT Type II/Al/PE-RT Type II)
Flexible
Without oxygen barrier layer
d 16, 20, 25

Pexfit Pro (PE-RT Type II/Al/PE-RT Type II)

Type of pipe	d	Areas of application
Pipe without protective pipe	16, 20, 25	Potable water installations
Pipe with protective pipe	16, 20	Potable water installations

Laying and fixing pipes

Only pipe clamps with chloride-free sound insulating inlays should be used to secure the pipes.

Observe the general rules of fixing technology:

- Do not use fixed pipelines as a support for other pipelines and components.
- Do not use pipe hooks.
- Observe distance to press connectors.
- Observe the expansion direction: Plan fixed and gliding points.

Make sure to affix the pipelines in such a way as to de-couple them from the installation body, so that they cannot transfer any structure-borne sound, resulting from thermal expansion or possible pressure surges, onto the installation body or other components.

Observe the following fixing distances:

Distance between the pipe clamps

d x s [mm]	Horizontal	Vertical
	Multi-layer pipe [m]	Multi-layer pipe [m]
16 x 2.0	1.00	1.30
20 x 2.3	1.00	1.30
25 x 2.8	1.50	1.95
32 x 3.2	2.00	2.60
40 x 3.5	2.00	2.60
50 x 4.0	2.50	3.25
63 x 4.5	2.50	3.25

Length expansion

Pipelines expand with heat. Heat expansion is dependent on the material. Changes in length lead to tension within the installation. These tensions must be compensated for with suitable measures.

The following are effective:

- Fixed and gliding points
- Expansion equalisation joints (expansion bends)

Heat expansion co-efficients of various pipe materials

Material	Heat expansion co-efficient α [mm/mK]	Example: Length extension with pipe length $L = 20$ m and $\Delta\theta = 50$ K [mm]
Pexfit Pro multi-layer pipe	0.03	30
PE-RT Type II	0.2	200

Length expansion and expansion bend length

Calculation example multi-layer pipe

- **Given:** Temperature difference $\Delta\theta = 50$ K; pipe length $L = 8$ m; pipe $\varnothing = 20$ mm
- **Required:** Expansion bend length L_{BS}
- **Calculation:**
 - Beginning in the left-hand diagram: From 50 K temperature difference on the x-axis up to the characteristic line for the 8 m pipe length.
 - Connect the intersection horizontally with the right-hand diagram up to the intersection of the characteristic line for pipe diameter 20 mm.
- **Result:** Read the value from the x-axis: $L_{BS} = 480$ mm.

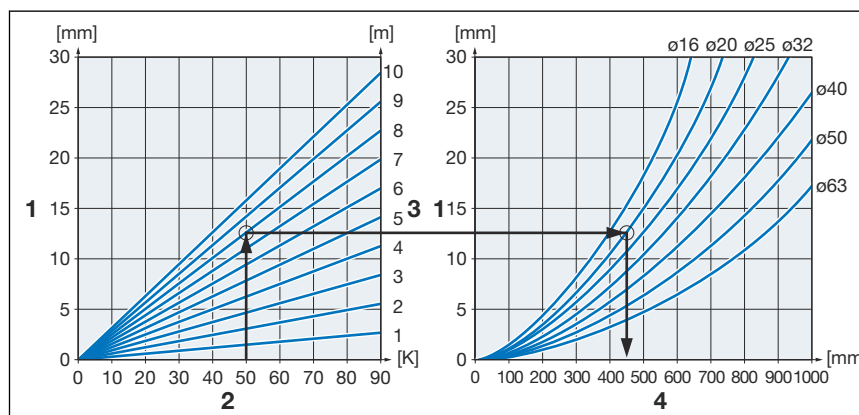


Fig. 2: Multi-layer pipe – expansion bend length

- 1 - Length expansion Δl [mm]
- 2 - Temperature difference $\Delta\theta$ [K]
- 3 - Pipe length L [m]
- 4 - Expansion bend length L_{BS} [mm]

2.3.3 Press connectors

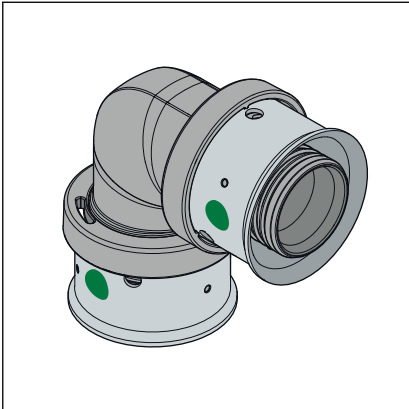


Fig. 3: Press connectors d16, 20, 25

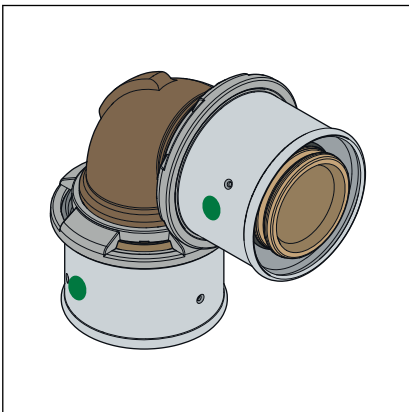


Fig. 4: Press connectors d32-63

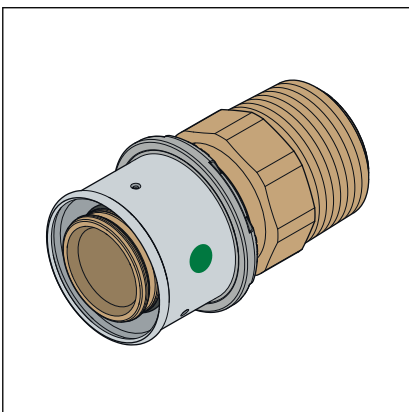


Fig. 5: Threaded connectors d32-63

The press connectors of the Pexfit Pro system consist of the following materials:

- Gunmetal/silicon bronze
- PPSU

SC-Contur

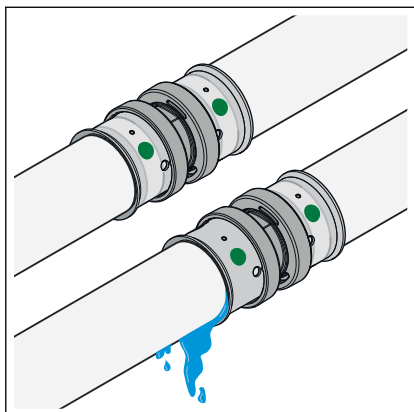


Fig. 6: SC-Contur

Viega press connectors are equipped with the SC-Contur. SC-Contur is a safety mechanism certified by the DVGW and ensures that the press connector leaks in an unpressed state. In this way, inadvertently unpressed connections are noticed during a leakage test.

Viega guarantees that accidentally unpressed connections become visible during a leakage test:

- with the wet leakage test in the pressure range from 0.1–0.65 MPa (1.0–6.5 bar)
- with dry leakage test in the pressure range from 22 hPa–0.3 MPa (22 mbar–3.0 bar)

2.3.4 Markings on components

Pipe marking

The pipe markings contain important information regarding the quality and certification of the pipes. Their meaning is as follows:

- Manufacturer
- System name
- Pipe material
- Size / wall thickness
- Certification and operating temperatures

Markings on press connectors

The press connectors are marked with a coloured dot. The dot identifies the SC-Contur where the test medium would escape in the case of an inadvertently unpressed connection.

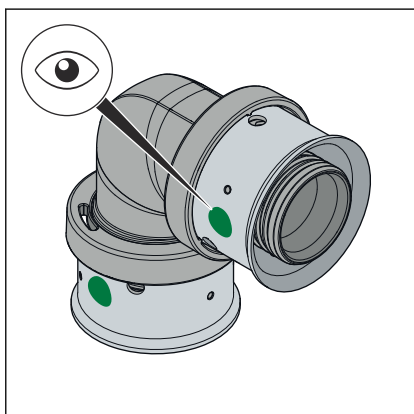


Fig. 7: Marking

The green dot shows that the press connector is equipped with the SC-Contur and that the system is suitable for potable water.

2.3.5 Mixed installations

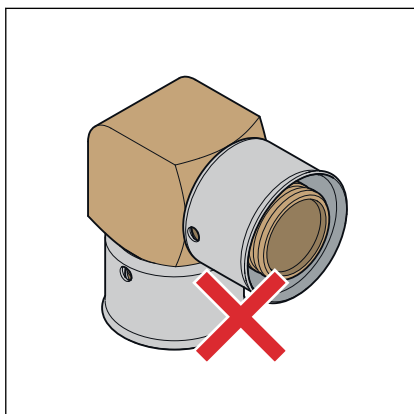
Permitted mixed installations

Pexfit Pro connectors may be connected to Viega pipes from the Pexfit Pro system.

Pexfit connectors may be connected to Viega pipes from the Pexfit Fosta system.

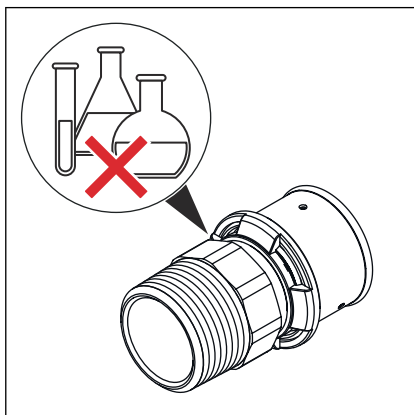
Installation of Pexfit Pro pipes with old Pexfit Fosta press connectors is not possible.

Please contact Viega for questions on this subject.



2.4 Information for use

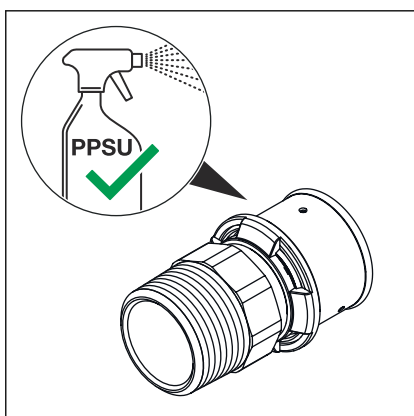
2.4.1 Chemical resistance



NOTICE! Damage to material due to aggressive chemicals

Aggressive chemicals, especially those containing solvents, may cause material damage and leaks. This may lead to water damage.

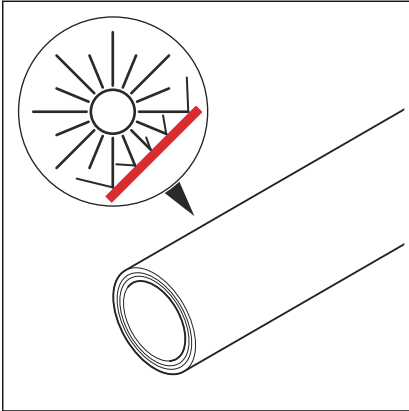
- Prevent contact between the system components and aggressive chemicals.



NOTICE! Material damage due to impermissible leakage detection agents

Impermissible leakage detection agents may cause material damage and leaks. This may lead to water damage.

- Use only leakage detection agents approved by the manufacturer for use on PPSU material.
- Observe the manufacturer's notes on processing.

**NOTICE!****Material damage due to UV radiation**

Permanent UV radiation can lead to material damage and leaks. This may lead to water damage.

- Do not expose the pipes to permanent UV radiation.

3 Handling

3.1 Storage

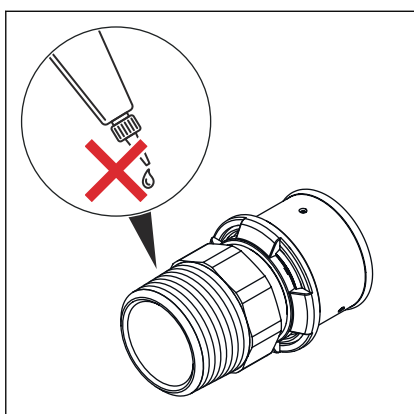
For storage, comply with the requirements specified in the applicable regulations, see ↗ *'Regulations from section: Storage' on page 5:*

- Store rods on even, clean surfaces.

Storage outside in closed, original packaging is possible for a period of up to three months. In this instance, protect the packaging from damage due to rain or high levels of humidity or UV radiation.

3.2 Assembly information

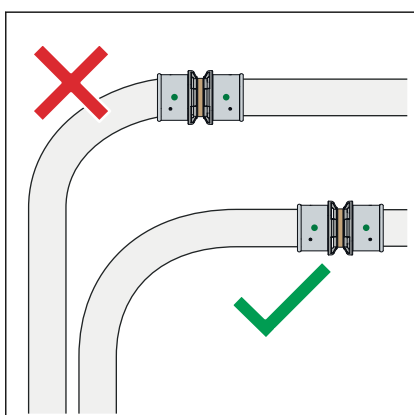
3.2.1 Mounting instructions



NOTICE!
Material damage due to thread locker containing solvents!

Thread lockers containing solvents can lead to material damage and leaks in plastic parts of pipe connections. This may lead to water damage.

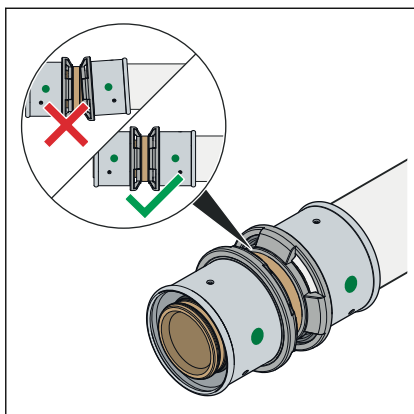
- As a sealant, only use commercially available hemp together with thread sealing paste or certified sealing tape for potable water.
- Please contact the Viega Service Center if you have any questions.



NOTICE!
Product damage due to permanent tension!

Risk of damage to the system if press connectors are installed under permanent tension.

- Install press connectors free of tension.



NOTICE!
Product damage due to improperly positioned press sleeves!

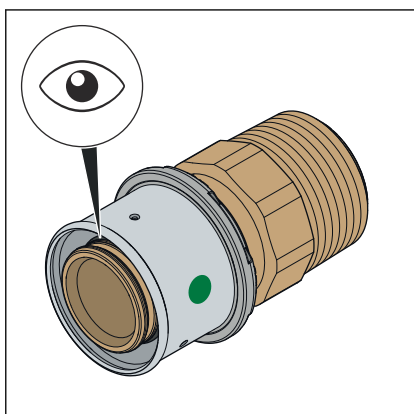
Improperly positioned press sleeves cause faulty pressing.

- Ensure that the press sleeve sits straight on the press connector.

Checking system components

System components may, in some cases, have become damaged through transportation and storage.

- Check all parts.
- Replace damaged components.
- Do not repair damaged components.
- Contaminated components may not be installed.
- Only use pipes whose surfaces are free of grooves or scratch marks.

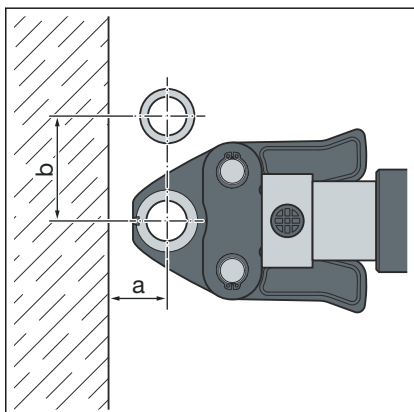


NOTICE!

Check that the sealing element of gunmetal/silicon bronze connectors is properly positioned.

3.2.2 Space requirements and intervals

Pressing between pipelines



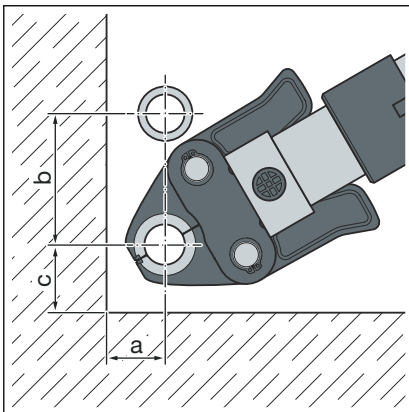
Space required Type 2 (PT2), PT3-EH, PT3-AH, Pressgun 4B, 4E, 5, 6, 6 Plus

d	16	20	25	32	40	50	63
a [mm]	15	16	23	21	28	40	56
b [mm]	45	45	58	65	70	85	125

Space requirement Picco, Pressgun Picco, Pressgun Picco 6, Pressgun Picco 6 Plus

d	16	20	25	32
a [mm]	15	15	20	25
b [mm]	48	50	55	70

Pressing between pipe and wall



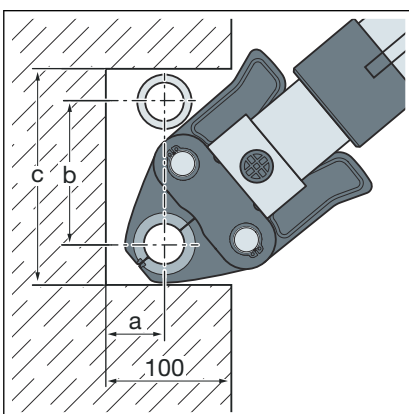
Space required Type 2 (PT2), PT3-EH, PT3-AH, Pressgun 4B, 4E, 5, 6, 6 Plus

d	16	20	25	32	40	50	63
a [mm]	20	20	25	30	35	40	54
b [mm]	76	76	80	90	92	95	140
c [mm]	25	25	35	35	43	55	61

Space requirement Picco, Pressgun Picco, Pressgun Picco 6, Pressgun Picco 6 Plus

d	16	20	25	32
a [mm]	20	21	25	30
b [mm]	70	74	75	80
c [mm]	28	28	35	40

Pressing in wall slots



Space required Type 2 (PT2), PT3-EH, PT3-AH, Pressgun 4B, 4E, 5, 6, 6 Plus

d	16	20	25	32	40	50	63
a [mm]	20	20	25	30	35	40	54
b [mm]	90	90	90	95	92	95	140
c [mm]	140	140	140	155	178	205	262

Space requirement Picco, Pressgun Picco, Pressgun Picco 6, Pressgun Picco 6 Plus

d	16	20	25	32
a [mm]	20	21	25	30
b [mm]	80	80	80	80
c [mm]	120	120	120	160

Z dimensions

For the Z dimensions, refer to the respective product page in the online catalogue.

3.2.3 Required tools

The use of original Viega tools or equivalent tools is recommended for installation.

The following tools are required for production of a press connection:



Hand or electric saws or angle grinders are not permitted.

- Press machine with constant pressing force
- Suitable Pexfit Pro press jaws for plastic piping systems (model 2799.7 or 2784.7)
- Hand press tool (model 2782.5) for dimensions 16–25 mm
- Pipe shear (model 5341) for dimensions 16–25 mm
- Pipe cutters (model 2191) for dimensions 32–63 mm
- Bending tool (model 5331.2)
- Calibrating tool suitable for the pipe size:
 - 16 / 20 / 25 mm (model 4739.1)
 - 32 / 40 mm (model 2739.3)
 - 50 / 63 mm (model 2139.2)



Viega recommends the use of Viega system tools when installing the press fittings.

The Viega system press tools have been developed and tailored specifically for the installation of Viega press connector systems.

3.3 Assembly

3.3.1 Bending pipes



NOTICE! Product damage due to use of metal internal bending springs

The use of metal internal bending springs can lead to damage to the pipe surface and to the introduction of contaminations into the installation.

- Do not use metal internal bending springs.
- Viega recommends using the Viega internal bending tool made of plastic (model 5331.2).

Pexfit Pro multi-layer pipes in the dimensions 16–32 mm can be bent by hand with a bending radius of $5 \times d$ or with a bending tool with the following radii:

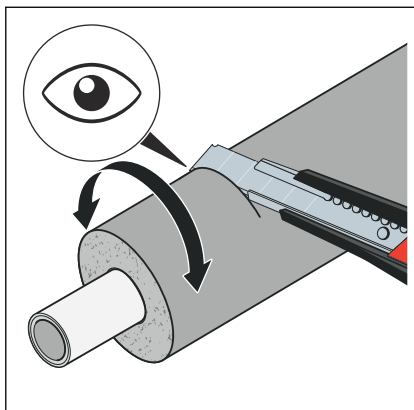
d	Bending radius x d
16	2.0
20	2.3
25	3.0
32	3.5
40	4.0
50	4.5
63	4.5

The recommended bending tools for dimensions d16 and 20 are the models 5331 and 5331.2.

3.3.2 Cutting pipes to length

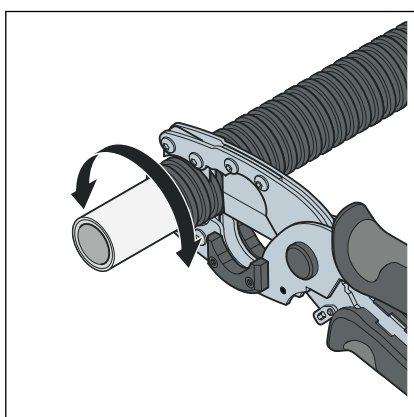
For information about tools, also see [↗ Chapter 3.2.3 'Required tools' on page 19.](#)

Insulated pipes

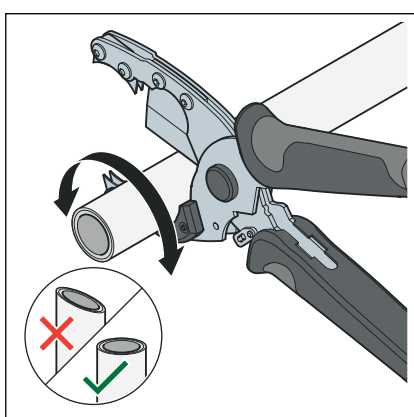


- Cut the insulation.
- Be careful not to damage the pipe.

Dimensions 16–25 mm



- Cut the protective pipe to length using the protective pipe cutter (model 5341).
- Be careful not to damage the pipe.



- Cut the pipe to length using a pipe shear.
Replace worn blades (model 5341.6 or 2040-404).
Make sure that the cut surface is clean and straight.



NOTICE! **Product damage due to distorted pipe ends**

Distorted pipe ends result in faulty pressing.

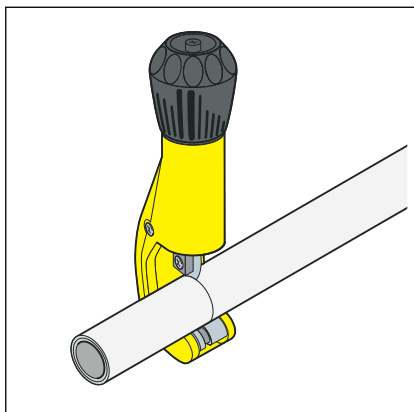
- If the pipe end is distorted, cut it off with the pipe shears.



NOTICE!

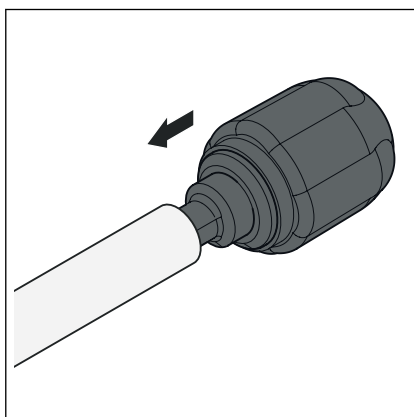
If using other tools than pipe shears for cutting the pipe end off, you need to deburr the pipe.

Dimensions 32–63 mm



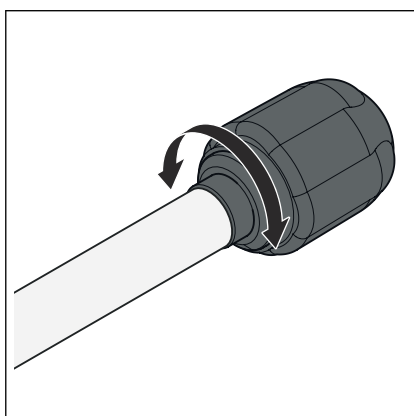
- ▶ Cut the pipe to length using a pipe cutter (model 2191).

3.3.3 Calibrating the pipes



- ▶ Using the calibration device, prepare pipe ends ≥ 25 mm and deformed pipe ends before pressing.

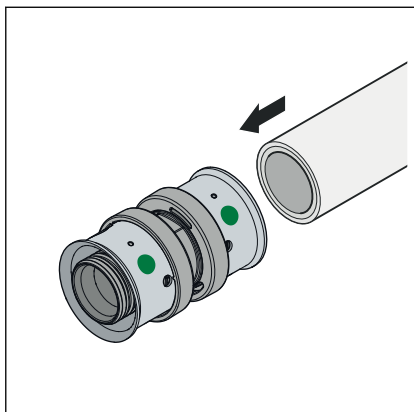
Push the calibration device in as far as it will go.



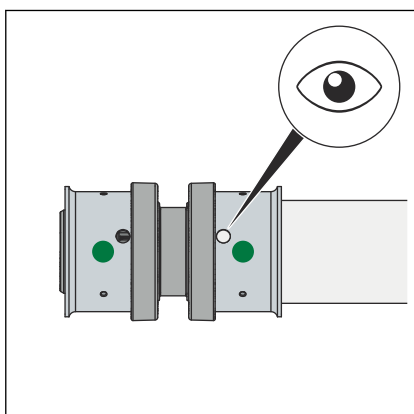
- ▶ Calibrate the pipe with turning movements.

□ The pipe is calibrated.

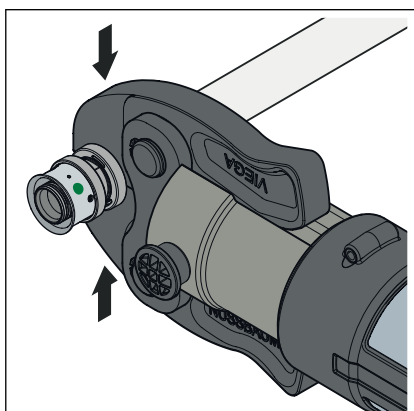
3.3.4 Pressing the connection



- Push the pipe into the press connector until the pipe end is visible in the inspection window.



- Check the insertion depth in the inspection window.



- Open the press jaw and place it at a right-angle onto the press connector.

Observe the intervals in section [Chapter 3.2.2 'Space requirements and intervals'](#) on page 17.

- Carry out the pressing process.
 - ◻ Connection is pressed.

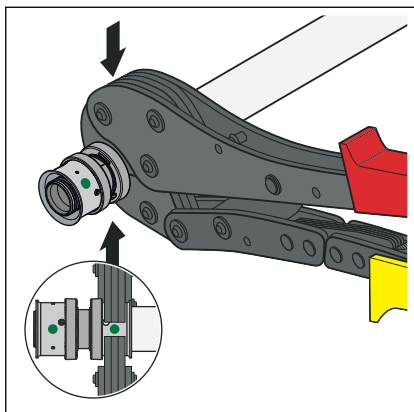


NOTICE! **Product damage due to incorrect pressing**

If there is a fold in the press sleeve after pressing, the connection will be faulty and will not function properly.

- Replace the connection.
- Check the press tool and dispose of it if defective.

Alternatively: Press the connection with hand tool



- Open the hand press tool and place it at a right-angle onto the press connector.
- Observe the intervals in section ↗ **Chapter 3.2.2 ‘Space requirements and intervals’ on page 17.**
- Carry out the pressing process.
 - ☐ Connection is pressed.

3.3.5 Leakage test



NOTICE!

Also refer to the information for use on leakage detection agents, see ↗ *Chapter 2.4.1 ‘Chemical resistance’ on page 14.*

The installer must perform a leakage test before commissioning.

Carry out this test on a system that is finished but not covered.

Observe the applicable regulations, see ↗ *‘Regulations from section: Leakage test’ on page 6.*

The leakage test must also be carried out for non-potable-water installations in accordance with the applicable directives.

Document the result.

3.4 Maintenance

Observe the applicable guidelines for the operation and maintenance of potable water installations, see ↗ *‘Regulations from section: Maintenance’ on page 6.*

3.5 Disposal

Separate the product and packaging materials (e. g. paper, metal, plastic or non-ferrous metals) and dispose of in accordance with valid national legal requirements.



Viega GmbH & Co. KG
service-technik@viega.de
viega.com

INT • 2024-03 • VPN240105

