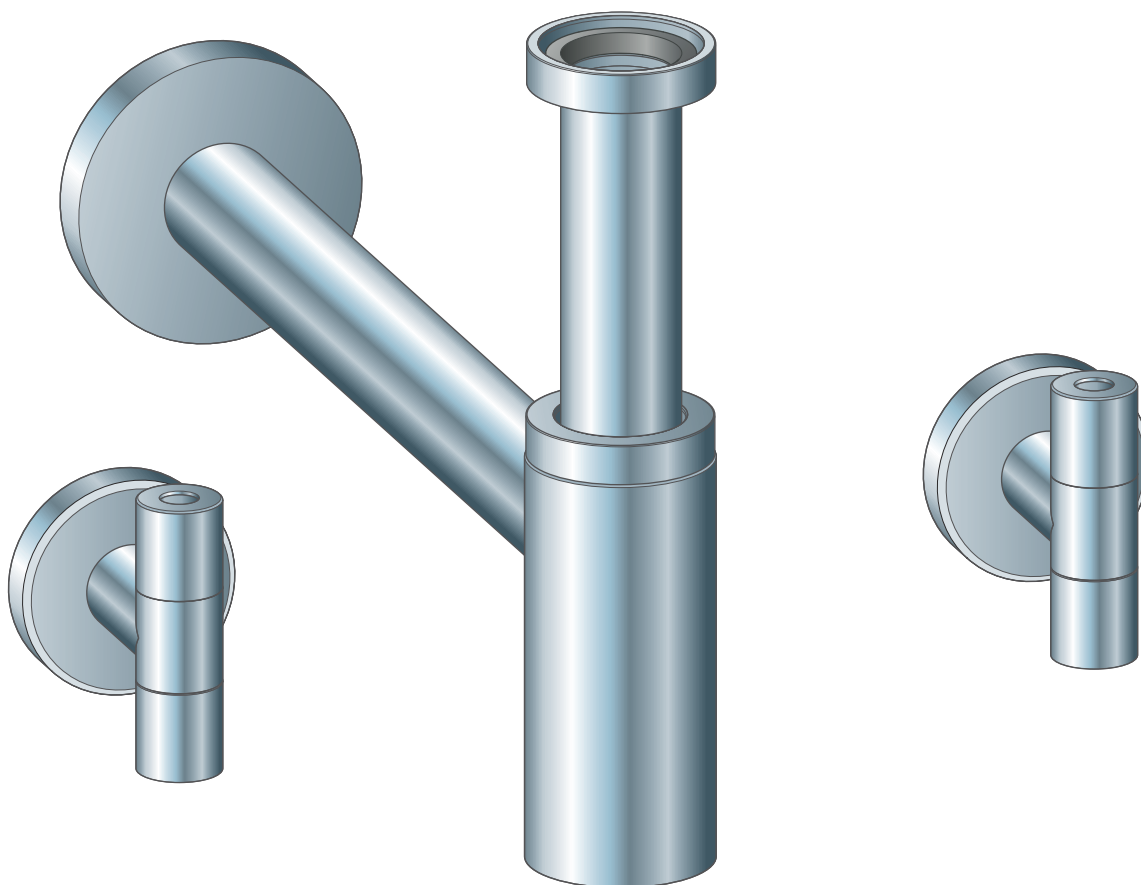


## Instructions for Use

# Eleganta set bottle odour trap



equipped with Eleganta corner valve model 5788.45

**Model**  
5788.4

**Year built (from)**  
03/2005

**viega**

# Table of contents

<b>1</b>	<b>About these instructions for use</b>	<b>3</b>
	1.1 Target groups	3
	1.2 Labelling of notes	3
	1.3 About this translated version	4
<b>2</b>	<b>Product information</b>	<b>5</b>
	2.1 Intended use	5
	2.1.1 Areas of application	5
	2.2 Product description	6
	2.2.1 Overview	6
	2.2.2 Technical data	6
<b>3</b>	<b>Handling</b>	<b>7</b>
	3.1 Assembly information	7
	3.1.1 Installation dimensions	7
	3.2 Assembly	8
	3.2.1 Mounting corner valves	8
	3.2.2 Mounting the bottle odour trap	10
	3.3 Care	11
	3.4 Disposal	11

# 1 About these instructions for use

Trade mark rights exist for this document; for further information, go to [viega.com/legal](http://viega.com/legal).

## 1.1 Target groups

The information in this instruction manual is directed at the following groups of people:

- Heating and plumbing experts and trained personnel
- Consumers

Individuals without the abovementioned training or qualification are not permitted to mount, install and, if required, maintain this product. This restriction does not extend to possible operating instructions.

The installation of Viega products must take place in accordance with the general rules of engineering and the Viega instructions for use.

## 1.2 Labelling of notes

Warning and advisory texts are set aside from the remainder of the text and are labelled with the relevant pictographs.



### **DANGER!**

This symbol warns of possible life-threatening injury.



### **WARNING!**

This symbol warns of possible serious injury.



### **CAUTION!**

This symbol warns of possible injury.



### **NOTICE!**

This symbol warns of possible damage to property.



This symbol gives additional information and hints.

### 1.3 About this translated version

This instruction for use contains important information about the choice of product or system, assembly and commissioning as well as intended use and, if required, maintenance measures. The information about the products, their properties and application technology are based on the current standards in Europe (e.g. EN) and/or in Germany (e.g. DIN/DVGW).

Some passages in the text may refer to technical codes in Europe/Germany. These should serve as recommendations in the absence of corresponding national regulations. The relevant national laws, standards, regulations, directives and other technical provisions take priority over the German/European directives specified in this manual: The information herein is not binding for other countries and regions; as said above, they should be understood as a recommendation.

## 2 Product information

### 2.1 Intended use

#### 2.1.1 Areas of application



#### **NOTICE!**

#### **Risk of damage due to unsuitable liquids**

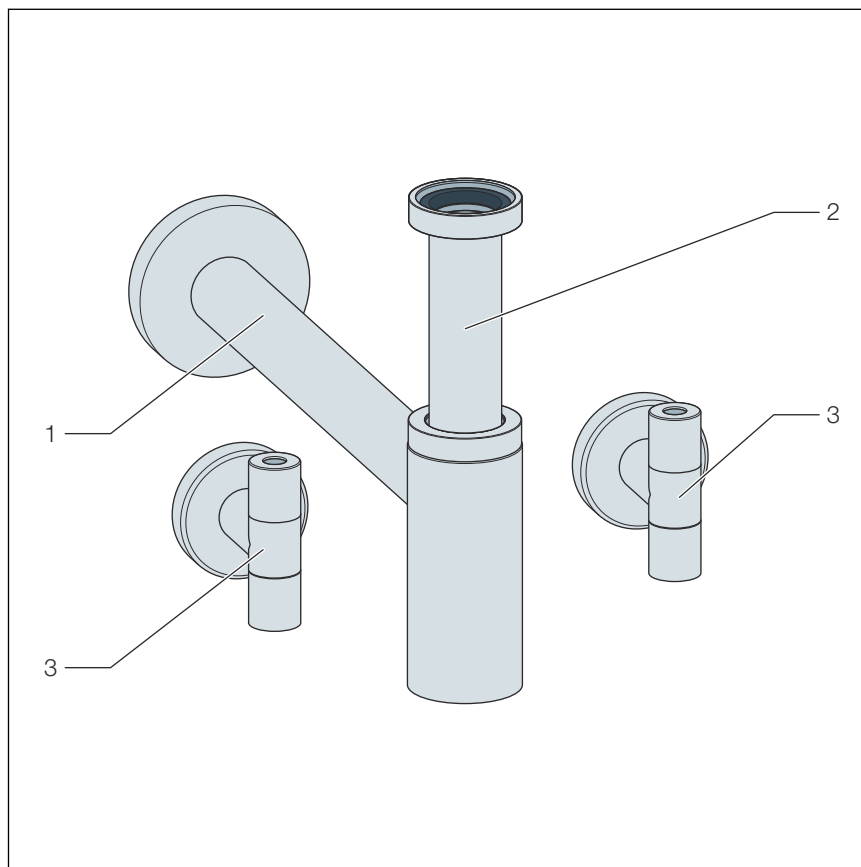
To avoid damaging the drain, only introduce the following liquids:

- Typical household wastewater with temperatures up to 95 °C
- The pH value must be higher than 4 but lower than 10.

The Eleganta bottle odour trap is suitable for washbasins with 1¼ inch connection.

## 2.2 Product description

### 2.2.1 Overview



- 1 Eleganta pipe
- 2 Bottle odour trap with cup
- 3 Corner valves

### 2.2.2 Technical data

DN (nominal width) outlet pipe	DN 32 mm
Drain elbow connection	1¼
Water seal level	50 mm

## 3 Handling

### 3.1 Assembly information

#### 3.1.1 Installation dimensions

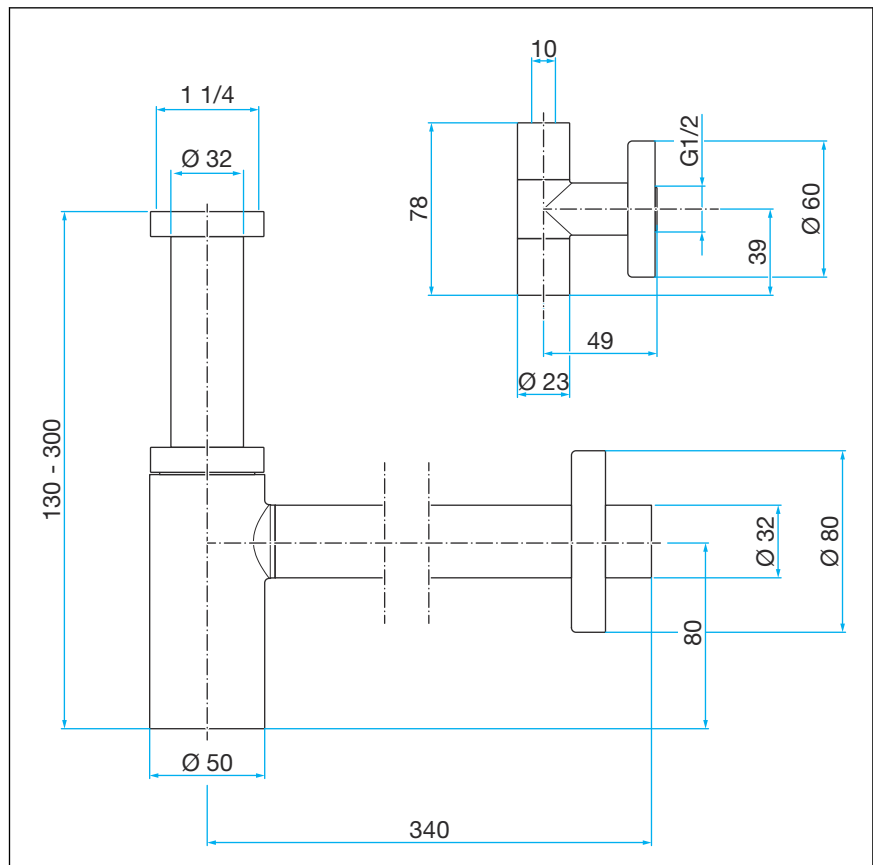
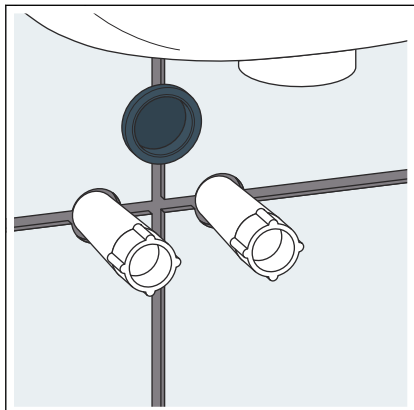


Fig. 1: Dimensional drawing

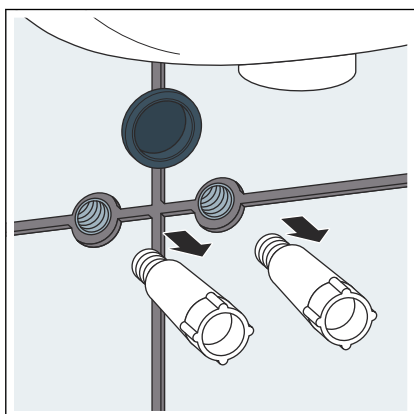
## 3.2 Assembly

### 3.2.1 Mounting corner valves

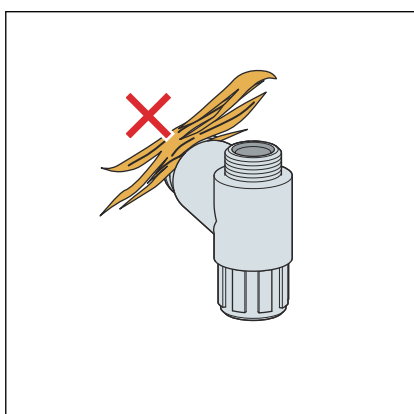


Requirements:

- The washbasin is mounted.
- The drain pipeline is installed.
- The water supply is closed.

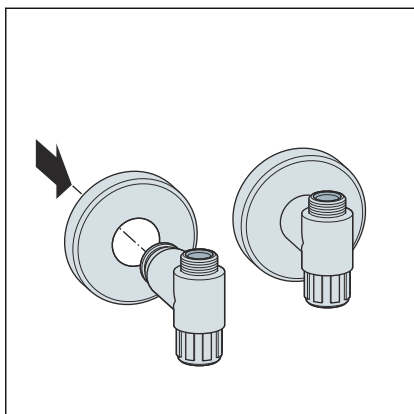


➤ Remove the plugs.

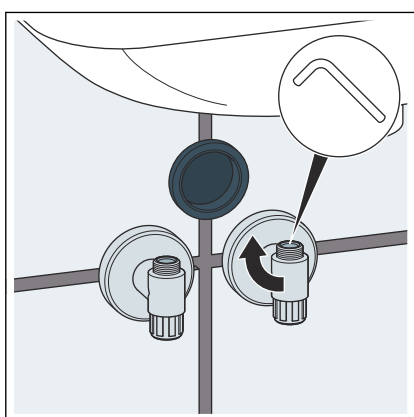


➤ Do not seal the angle valves.  
The valves have a factory-applied seal.

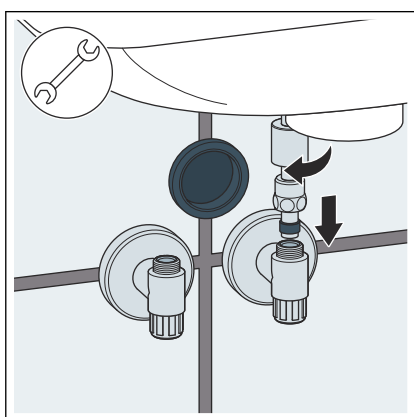




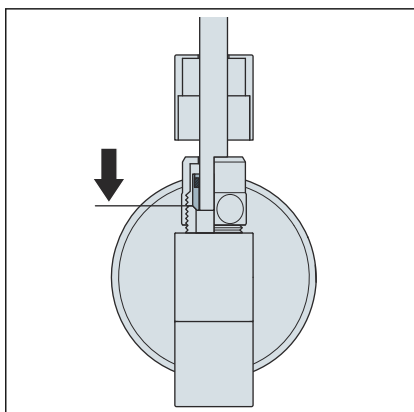
➤ Push on the cover rosettes.



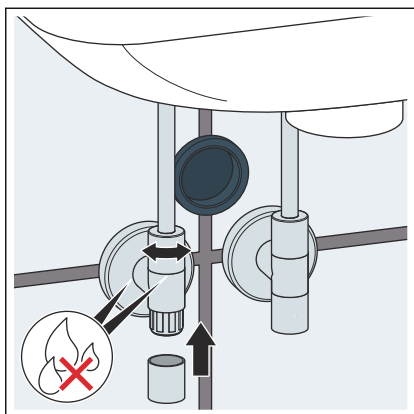
➤ Screw in the corner valves.



➤ Push the cover, the fixing screw and the sealing element onto the connection pipe.



➤ Push the connection pipe in as far as it will go and screw it in place.

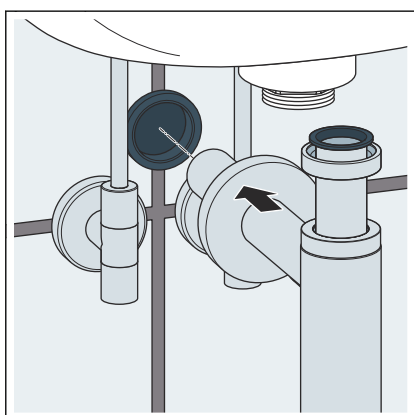
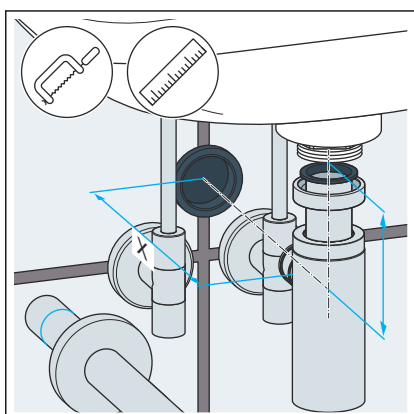


- Open the corner valve and check for leaks.
- Slide on the cover.

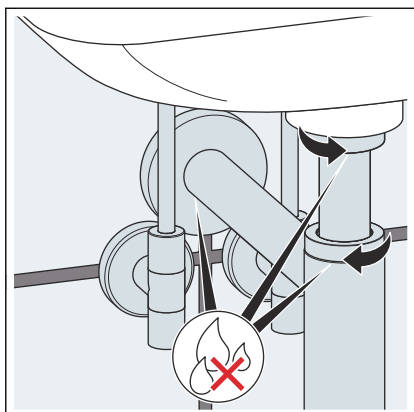
### 3.2.2 Mounting the bottle odour trap

Requirements:

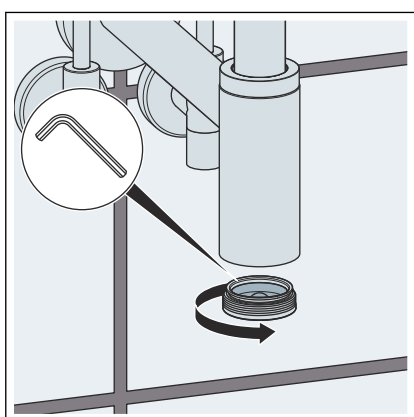
- The washbasin is mounted.
- The drain pipeline is installed.
- The corner valves are mounted.
- Mount the adjusting pipe with the union nut.
- Measure the installation height and depth.
- Shorten the drain pipe and the adjusting pipe if necessary.
- Ensure sufficient insertion depth.



- Insert the odour trap.
- Push the drain pipe onto the odour trap.  
Ensure that the sealing elements are correctly seated.
- Fit the cover rosette.



- Tighten the fixing nuts.
- Check the odour trap for leak tightness.



- Screw in the plug.

### 3.3 Care



#### **NOTICE!** Risk of damage due to unsuitable cleaning agent.

The following cleaning agents can damage chrome-plated surfaces and therefore may not be used:

- Scouring agent
- Abrasive sponges
- Lime, plaster or cement dissolver
- Solvents or other acidic cleaning agents

Use household cleaner to remove coarse soiling, also around the odour trap. Rinse the detergent thoroughly with clear water after the prescribed exposure time. There should be no residue on the components.

### 3.4 Disposal

Separate the product and packaging materials (e. g. paper, metal, plastic or non-ferrous metals) and dispose of in accordance with valid national legal requirements.



**Viega GmbH & Co. KG**  
service-technik@viega.de  
viega.com

INT • 2022-08 • VPN210504

