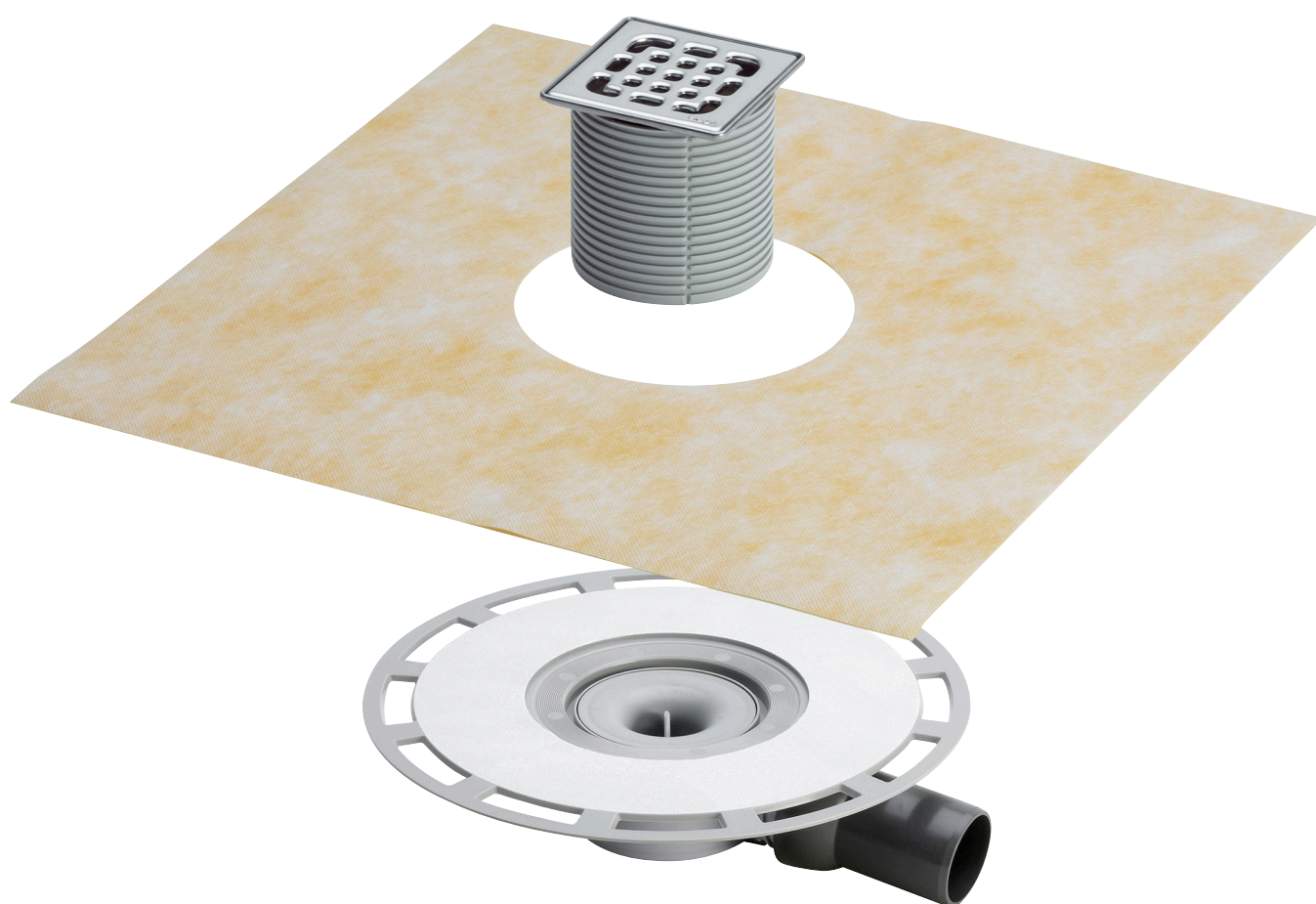


Instructions for Use

Advantix bath drain



for bonded sealing (tiled shower) with sealing mat

Model
4939

Year built (from)
01/2006

viega

Table of contents

| | | |
|----------|---|-----------|
| 1 | About these instructions for use | 3 |
| | 1.1 Target groups | 3 |
| | 1.2 Labelling of notes | 3 |
| | 1.3 About this translated version | 4 |
| 2 | Product information | 5 |
| | 2.1 Standards and regulations | 5 |
| | 2.2 Intended use | 6 |
| | 2.2.1 Areas of use | 6 |
| | 2.2.2 Media | 6 |
| | 2.2.3 Drainage capacity | 7 |
| | 2.3 Product description | 7 |
| | 2.3.1 Overview | 7 |
| | 2.3.2 Technical data | 7 |
| | 2.4 Information for use | 8 |
| | 2.4.1 Installation variations | 8 |
| | 2.4.2 Sealing | 9 |
| | 2.4.3 Fire protection | 11 |
| | 2.5 Required accessories | 11 |
| 3 | Handling | 13 |
| | 3.1 Assembly information | 13 |
| | 3.1.1 Important note | 13 |
| | 3.1.2 Installation dimensions | 14 |
| | 3.1.3 Tools and materials | 14 |
| | 3.2 Assembly | 14 |
| | 3.2.1 Connecting the drain | 14 |
| | 3.2.2 Preparing for subsequent work | 16 |
| | 3.2.3 Sealing the drain | 17 |
| | 3.2.4 Mounting the top | 18 |
| | 3.3 Care | 19 |
| | 3.3.1 Care tips | 19 |
| | 3.3.2 Cleaning the drain | 19 |
| | 3.4 Disposal | 20 |

1 About these instructions for use

Trade mark rights exist for this document; for further information, go to viega.com/legal.

1.1 Target groups

The information in this instruction manual is directed at the following groups of people:

- Heating and sanitary professionals and trained personnel
- Tilers
- Consumers

Individuals without the abovementioned training or qualification are not permitted to mount, install and, if required, maintain this product. This restriction does not extend to possible operating instructions.

The installation of Viega products must take place in accordance with the general rules of engineering and the Viega instructions for use.

1.2 Labelling of notes

Warning and advisory texts are set aside from the remainder of the text and are labelled with the relevant pictographs.



DANGER!

This symbol warns of possible life-threatening injury.



WARNING!

This symbol warns of possible serious injury.



CAUTION!

This symbol warns of possible injury.



NOTICE!

This symbol warns of possible damage to property.



This symbol gives additional information and hints.

1.3 About this translated version

This instruction for use contains important information about the choice of product or system, assembly and commissioning as well as intended use and, if required, maintenance measures. The information about the products, their properties and application technology are based on the current standards in Europe (e. g. EN) and/or in Germany (e. g. DIN/DVGW).

Some passages in the text may refer to technical codes in Europe/Germany. These should serve as recommendations in the absence of corresponding national regulations. The relevant national laws, standards, regulations, directives and other technical provisions take priority over the German/European directives specified in this manual: The information herein is not binding for other countries and regions; as said above, they should be understood as a recommendation.

2 Product information

2.1 Standards and regulations

The following standards and regulations apply to Germany / Europe and are provided as a support feature.

Regulations from section: Sealing

| Scope / Notice | Regulations applicable in Germany |
|--|---|
| Stress class of the underground, as well as suitable bonded sealing | ZDB-Merkblatt 8/2012 |
| Stress class of the underground, as well as suitable bonded sealing | Leitfaden zur Abdichtung im Verbund (AIV) |
| Approved bonded sealings with proof of practicability in keeping with building law for stress classes A and AO | ETAG 022 T1 |
| Approved bonded sealings with proof of practicability in keeping with building law for stress classes A, B and C | DIBt-Bauregelliste A, Teil 2 des DIBt und Prüfgrundsätze für Abdichtungen im Verbund (PG AIV-F) |
| Permitted bonded sealings | EN 14891 |

Regulations from section: Fields of application

| Scope / Notice | Regulations applicable in Germany |
|---|-----------------------------------|
| Specifications not met due to water seal level and small drainage capacity. | EN 1253-1 |

Regulations from section: Media

| Scope / Notice | Regulations applicable in Germany |
|-----------------------------|-----------------------------------|
| Typical domestic wastewater | DIN 1986-3 |

2.2 Intended use

2.2.1 Areas of use

The drain is designed for small to medium volumes of water, which occur in e.g. residential building.

Technical information, see ↗ *Chapter 2.3.2 'Technical data' on page 7.*

The drain with a horizontal drain socket is suitable for both mounting in a floor opening as well as for mounting on the floor.

The side inlet not serves as an odour trap.



The water seal level of 30 mm and the small drainage capacity do not meet the specifications pursuant to the standards and regulations. See ↗ *'Regulations from section: Fields of application' on page 5.*

Check if the drainage capacity is sufficient before mounting!

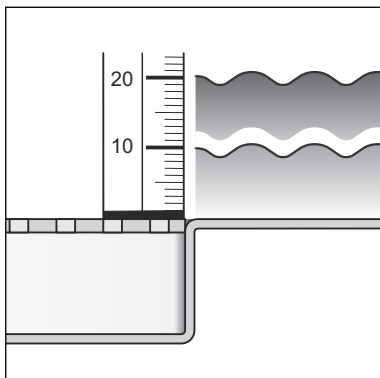
2.2.2 Media

The drain is intended for draining of household-type wastewater in constant operation, see ↗ *'Regulations from section: Media' on page 5.*

- The short-term temperature of the wastewater may reach up to 95° C. The temperature must be considerably lower in constant operation.
- The pH value must be higher than 4 but lower than 10.

It is not permitted to introduce wastewater which would damage the product material.

2.2.3 Drainage capacity



Drainage capacity at an accumulation height of 10 mm above the grate: 0.45 l/s

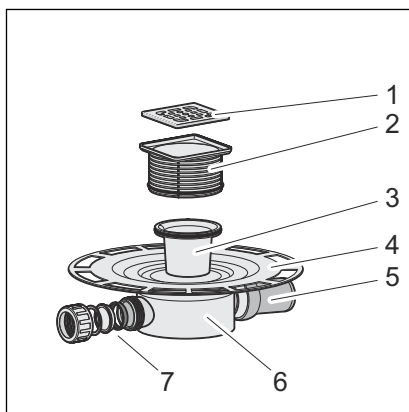
Drainage capacity at an accumulation height of 20 mm above the grate: 0.5 l/s

Drainage capacity through the lateral inlet: 1.2 l/s

The values are dependent on the total height of the drain unit.

2.3 Product description

2.3.1 Overview



- 1 Grate
- 2 top, can be cut to length
- 3 removable odour trap
- 4 flange for the application of the bonded sealing
- 5 horizontal drain socket (DN 50) with ball joint
- 6 Base unit
- 7 side inlet

2.3.2 Technical data

| | |
|-----------------------------------|---|
| Nominal width [DN] (drain socket) | 50 |
| Nominal width [DN] (inlet) | 40 |
| Drainage capacity | ↪ Chapter 2.2.3 'Drainage capacity' on page 7 |

| | |
|---|--|
| Dimensions and installation height | ↳ Chapter 3.1.2 'Installation dimensions' on page 14 |
| Water seal level | 30 mm |
| Load class | K = 300 kg |

2.4 Information for use

2.4.1 Installation variations

Installing in a bare concrete floor

The mounting of the drain in a bare concrete floor is as follows:

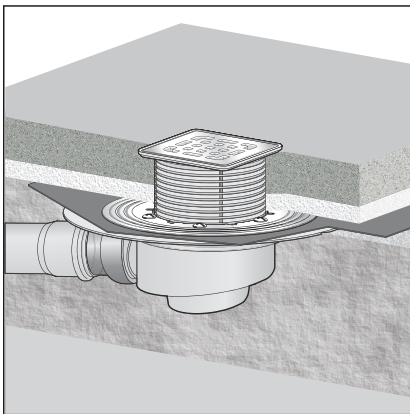


Fig. 1: General installation example – Floor recess

- The drain is placed in a floor recess and then cast-in.

Mounting on a floor

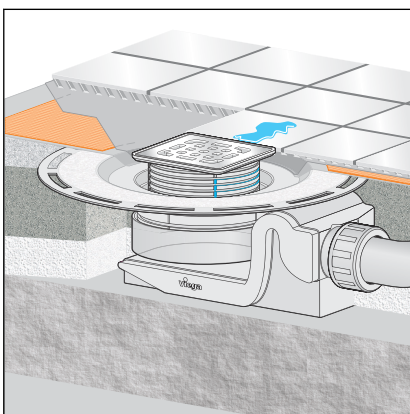


Fig. 2: General mounting example – Mounting on the floor

During the mounting on the floor, the drain is integrated into the floor construction. At the same time, it can e.g. be integrated into the leveling screed or heat insulation. If necessary, a vertical drainpipe can be led through a drill hole in the floor at the same time.



NOTICE!

The creation of a floor recess must be agreed with the following people:

- a structural engineer
- the on-site fire protection inspector or the specialist engineer for fire protection

If necessary, proof of compliance with building code or an expert's report must exist.

2.4.2 Sealing

Bonded sealing

To protect against moisture penetration, apply sealing foils, which are to be processed in liquid state, directly below the tiles on screed and walls. The determination of the stress class and the underground as well as the selection of the suitable bonded sealing must be carried out in compliance with the valid standards and regulations, see: ↪ *'Regulations from section: Sealing' on page 5.*

The bonded seal can be applied directly onto the drain flange.

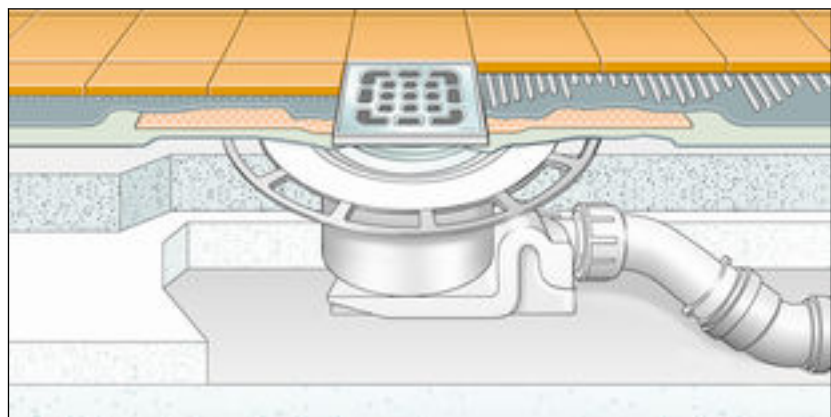


Fig. 3: Diagram of a bonded seal

Important note

Careful planning is required for professional sealing. In addition, depending on the individual dampness wear class and the type of foundation, a suitable thin bed bonded sealing with a building regulations certificate of suitability must be chosen.

Furthermore, the following factors should be taken into account:

- Drain or shower channel must be equipped with a special flange, which has an adhesive surface and a width of at least 30 mm.
- For bridging the material change from drain to screed, either a suitable sealing collar or sealing tape designed for overlapping with the thin bed bonded sealing over a width of at least 50 mm must be used.
- The screed must be laid at a minimum incline of 1–2%.
- The installation must be carried out properly in acc. with the mounting instructions and the manufacturer's information.

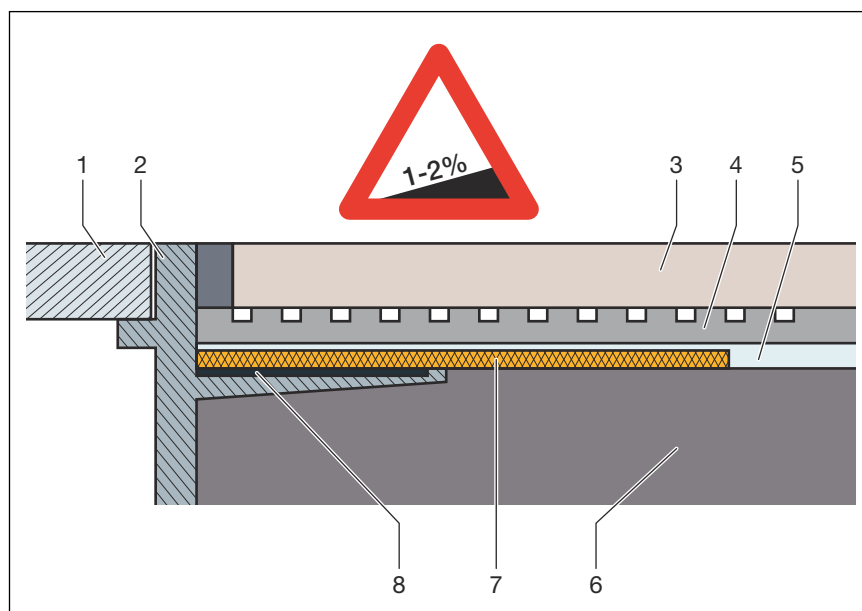


Fig. 4: Construction diagram of the bonded seal - min. screed incline 1–2 %

- 1 Grate
- 2 Top piece with adhesive flange
- 3 Tile
- 4 Tile cement
- 5 Bonded sealing
- 6 Screed
- 7 sealing collar
- 8 adhesive

Permitted bonded seals

In connection with suitable drains, only approved bonded sealings with proof of practicability in keeping with building law may be used. See [↗ 'Regulations from section: Sealing' on page 5.](#)

Information regarding the procedure can be found in the instructions for use of the corresponding product.

2.4.3 Fire protection

Advantix shower channels and drains can both be fitted to be fire proof. The R120 pipe lead-in can be used for this purpose in the floor construction. In this way, a fire resistance time of up to 120 minutes can be achieved.

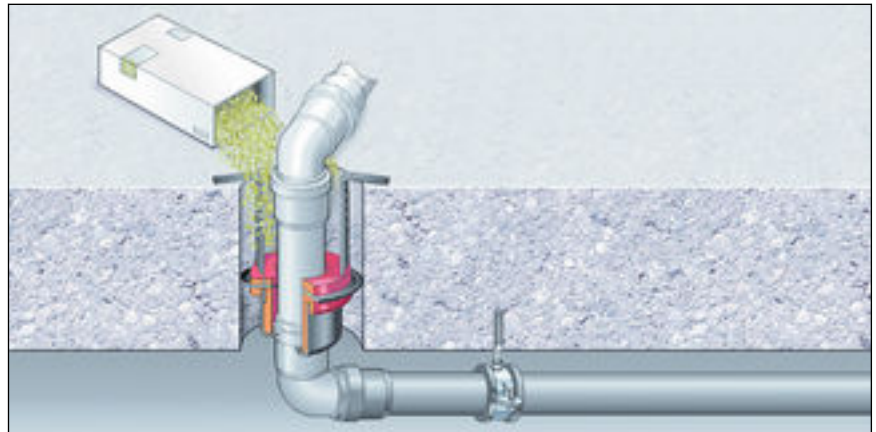
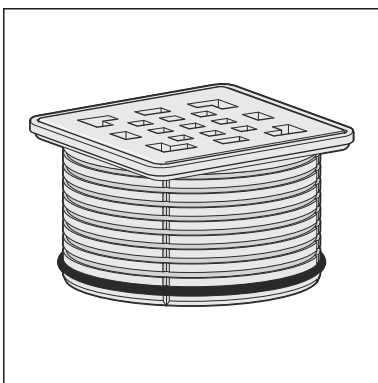


Fig. 5: Example: fire protection pipe lead-in

Mounting instruction of the R120 pipe lead-in see model 4923.5, Art.-No. 491 673.

2.5 Required accessories

Top



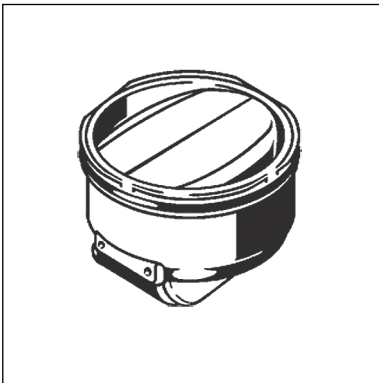
Advantix tops are available in a number of sizes and variations. You can also only buy an Advantix top frame and then purchase a suitable designer grate separately (see catalogue).

Sieve insert



The drain can be fitted with a sieve insert (model 4958) to collect dirt.

Odour barrier



Advantix drains can be equipped with an additional odour barrier, which also closes the drain odour-tight, if the water seal in the odour trap has evaporated. Odour nuisance is even avoided with drains that are only seldom used. Odour barriers can be found in the catalogue.

3 Handling

3.1 Assembly information

3.1.1 Important note

Before assembly:

- Check if the drainage capacity of the drain is sufficient for the arising water volume ↪ *Chapter 2.2.3 'Drainage capacity' on page 7.*
- Check if the installation height of the drain corresponds with the planned floor construction.
- Ensure that the required connection line is installed with the necessary incline to the planned installation location.
- If necessary, supply the required accessories ↪ *Chapter 2.5 'Required accessories' on page 11.*

During assembly:

- Observe installation dimensions.

After assembly:

- The drain flange must be fully lined with mortar.

3.1.2 Installation dimensions

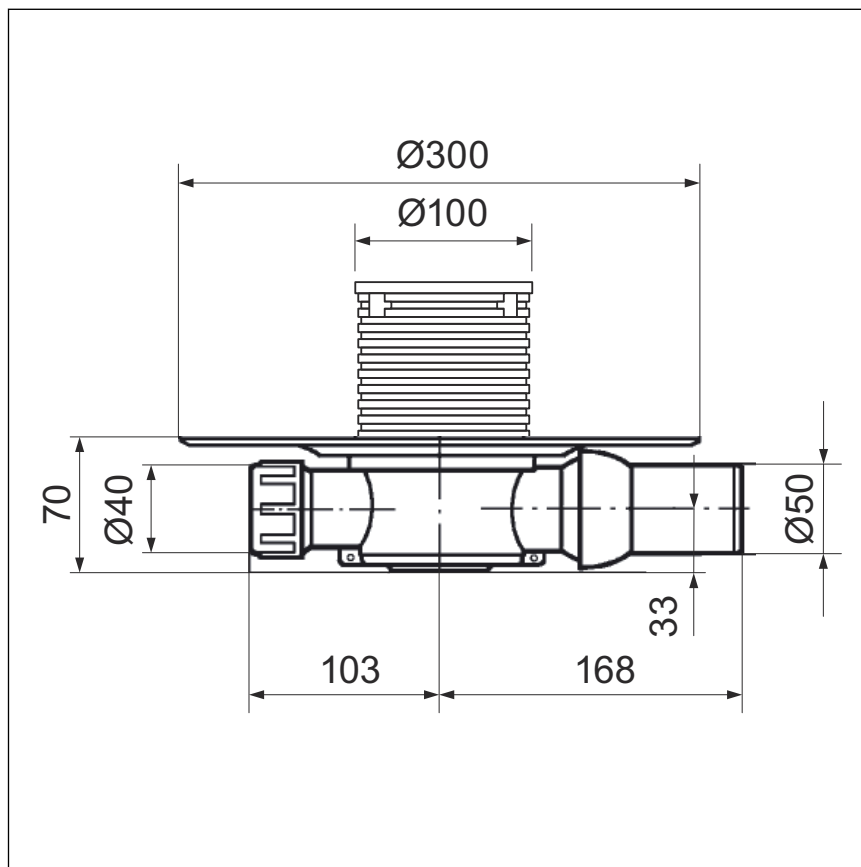


Fig. 6: Dimensional drawing model 4939

3.1.3 Tools and materials

Required material

- Top with grate, if not included in scope of delivery ↗ *Chapter 2.3.1 'Overview' on page 7*
- Material for securing the drain

3.2 Assembly

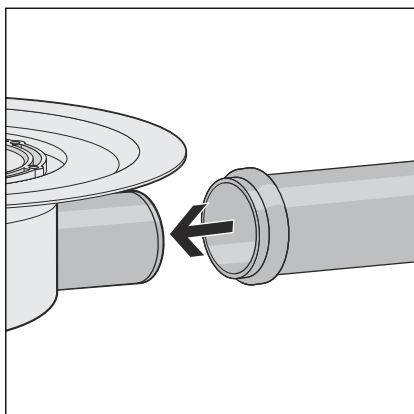
3.2.1 Connecting the drain

Connecting to the wastewater system

The connection to the wastewater system must be completed before the drain can be installed in the floor construction. Proceed as follows:

Requirements:

- A pipe to the planned drainage position is already in place for the connection to the wastewater system.
- The drainpipe has an internal sealing lip.



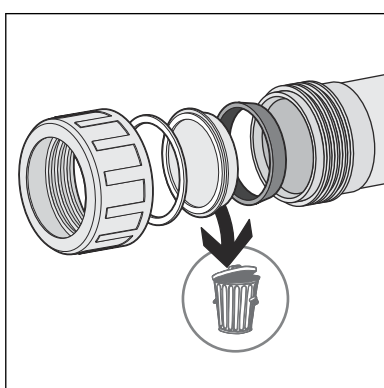
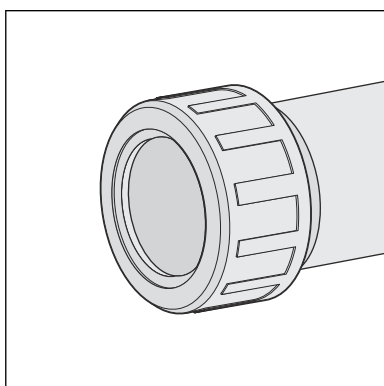
- Push the drain socket into the drainpipe completely.

Connecting the inlet

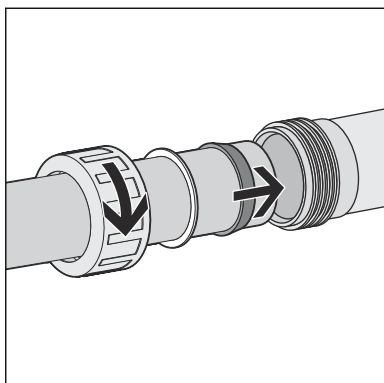
The connection to the inlet must first be made to be able to mount the drain. Proceed as follows:

Requirements:

- Inlet pipe has been mounted.
- Unscrew the union nut from the drain inlet.



- Remove protective plug.
- Remove sliding ring and sealing from the protective plug.



- Push the union nut, sliding ring and sealing onto the inlet pipe.
- Push inlet pipe at least 1.5 cm deep into the drain inlet.
- Screw the inlet pipe with the coupling onto the drain inlet.

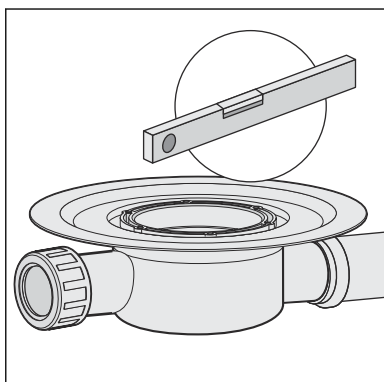
3.2.2 Preparing for subsequent work

A few points must be observed to integrate the drain into the floor construction properly. For this reason, proceed as follows to prepare the drain for subsequent work:

Requirements:

- The drain is connected.
- The inlet is connected.
- The protective foil and the yellow protective plugs are to be found, undamaged, on the drain.
- Position the drain at the desired height at the place of use. It is important that the upper edge of the drain flange is flush with the upper edge of the sealing layer. If necessary, raise or lower the drain in the existing floor using suitable material.
- Align drain horizontally using a spirit level.
- Secure the drain in such a way that it cannot shift when the subsequent works are applied.

Most importantly, it must be ensured that the drain does not float when the concrete or screed is poured in.



NOTICE! **Product damage due to improper installation**

If hollow spaces occur during the lining of the drain, leaks may occur when pressure is applied.

Inform the subsequent workers that the drain must be fully lined and that there must be no hollow spaces.

3.2.3 Sealing the drain



NOTICE! Product damage due to improper installation

If hollow spaces occur during the lining of the drain, leaks may occur when pressure is applied.

Check the proper completion of the subsequent work.

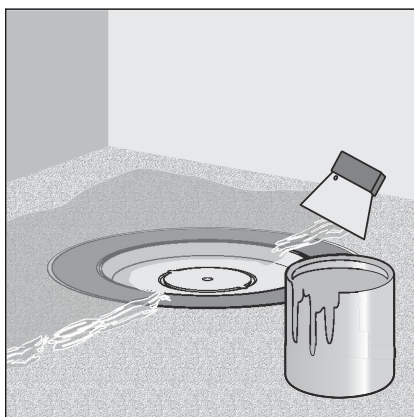
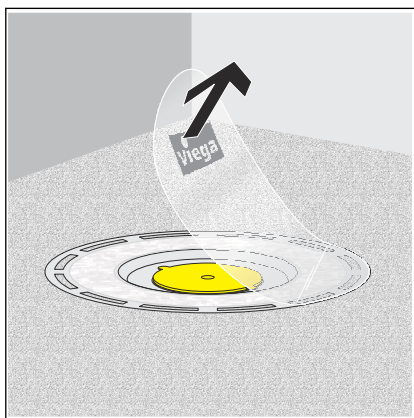


Screed and floor tiles must be laid at an incline of 1–2 % in the direction of the drain.

Bonded sealing

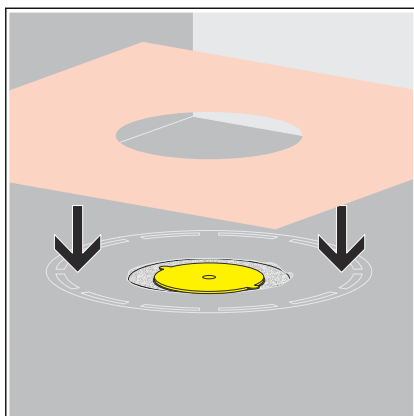
Requirements:

- The flange is free of heavy soil.
- The complete surface of the flange is lined with material and undamaged.
- Remove protective foil.



- Apply the bonded sealing on the dry screed and spread to the inner edge of the flange fleece.

NOTICE! Observe the bonded sealing manufacturer's instructions for use.

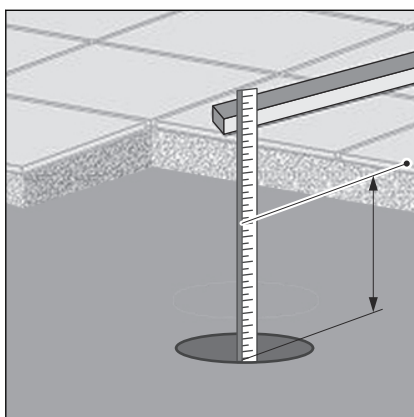


- Lay the sealing collar into the bonded sealing.



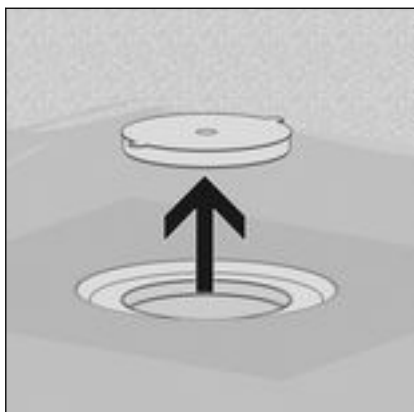
- Apply a second layer of bonded sealing onto the sealing collar and, if necessary, onto the floor.

3.2.4 Mounting the top



The top with the grate must still be mounted to finish off the mounting of the drain. Proceed as follows:

- Calculate the height of the floor construction from the edge in the inside of the drain up to the upper edge of the tiles.
- Starting with the upper edge, transfer the measured height onto the top.
- Cut the top to the marked height.



INFO! No backflow seal may be fitted so that any seepage that may occur can drain off without hindrance!

- Remove yellow protective plug.
- Place the top into the drain and align according to the tiles.
- Work the top into the screed or the floor covering.

3.3 Care

3.3.1 Care tips

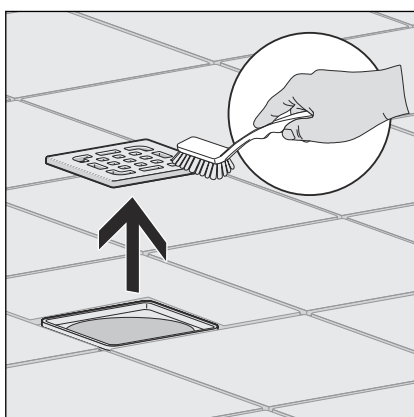
Normal soap or a mild cleaning agent can be used for regular maintenance and prevention of lime scale on the grate and frame. Use no scouring agent or abrasive objects.

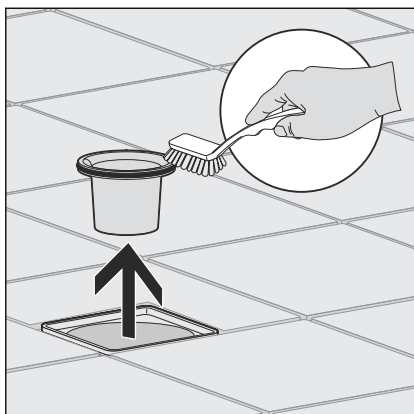
Strong stains, even around the drain unit and the siphon, can be removed using typical household cleaner. Rinse the detergent very thoroughly with clear water after the prescribed dwell time. There should be no residue on the components.

3.3.2 Cleaning the drain

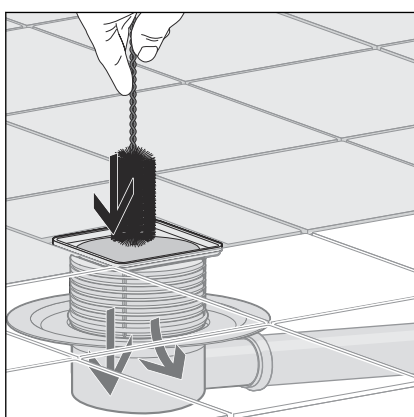
We recommend using a mild cleaning agent and a washing-up brush for cleaning.

- Remove and clean grate.





- Remove and clean immersion pipe.



- Clean drain.
- Replace immersion pipe.
- Re-insert grate.

3.4 Disposal

Separate the product and packaging materials (e. g. paper, metal, plastic or non-ferrous metals) and dispose of in accordance with valid national legal requirements.



Viega GmbH & Co. KG
service-technik@viega.de
viega.com

INT • 2022-08 • VPN180236

