

## Instructions for Use

# Advantix height adjustment piece



for height adjustment from 45–100 mm

**Model**  
4996

**viega**

# Table of contents

<b>1</b>	<b>About these instructions for use</b>	<b>3</b>
	1.1 Target groups	3
	1.2 Labelling of notes	3
	1.3 About this translated version	4
<b>2</b>	<b>Product information</b>	<b>5</b>
	2.1 Intended use	5
	2.1.1 Areas of use	5
	2.1.2 Media	5
	2.2 Product description	6
	2.2.1 Overview	6
<b>3</b>	<b>Handling</b>	<b>7</b>
	3.1 Assembly information	7
	3.1.1 Installation dimensions	7
	3.1.2 Tools and materials	7
	3.2 Assembly	8
	3.3 Disposal	9

# 1 About these instructions for use

Trade mark rights exist for this document; for further information, go to [viega.com/legal](http://viega.com/legal).

## 1.1 Target groups

The information in this instruction manual is directed at the following groups of people:

- Heating and sanitary professionals and trained personnel
- Tilers

It is not permitted for individuals without the abovementioned training or qualification to mount, install and, if required, maintain this product. This restriction does not extend to possible operating instructions.

The installation of Viega products must take place in accordance with the general rules of engineering and the Viega instructions for use.

## 1.2 Labelling of notes

Warning and advisory texts are set aside from the remainder of the text and are labelled with the relevant pictographs.



### **DANGER!**

This symbol warns against possible life-threatening injury.



### **WARNING!**

This symbol warns against possible serious injury.



### **CAUTION!**

This symbol warns against possible injury.



### **NOTICE!**

This symbol warns against possible damage to property.



Notes give you additional helpful tips.

### 1.3 About this translated version

This instruction for use contains important information about the choice of product or system, assembly and commissioning as well as intended use and, if required, maintenance measures. The information about the products, their properties and application technology are based on the current standards in Europe (e. g. EN) and/or in Germany (e. g. DIN/DVGW).

Some passages in the text may refer to technical codes in Europe/Germany. These should serve as recommendations in the absence of corresponding national regulations. The relevant national laws, standards, regulations, directives and other technical provisions take priority over the German/European directives specified in this manual: The information herein is not binding for other countries and regions; as said above, they should be understood as a recommendation.

## 2 Product information

### 2.1 Intended use

#### 2.1.1 Areas of use

The Advantix height adjustment piece can be cut to length corresponding to the height of the floor construction, allowing for tile-level mounting of an Advantix grate.

Depending on the sealing of the drain, a backflow seal is inserted.

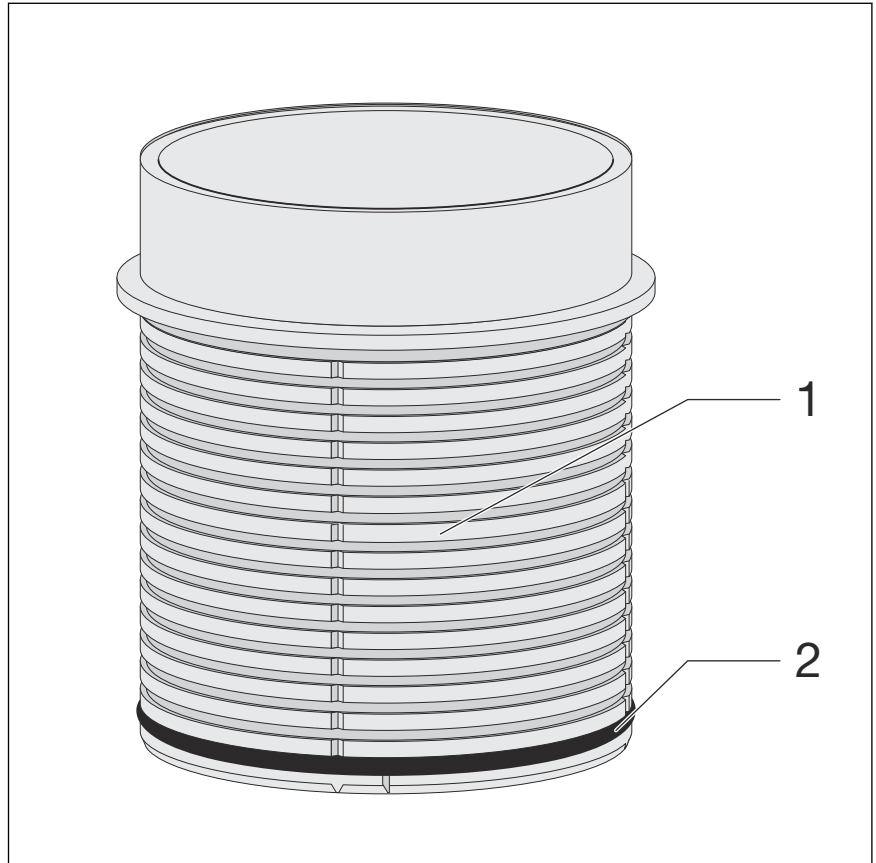
#### 2.1.2 Media

- The short-term temperature of the wastewater may reach up to 95° C. The temperature must be considerably lower in constant operation.
- The pH value must be higher than 4 but lower than 10.

It is not permitted to introduce wastewater which would damage the product material.

## 2.2 Product description

### 2.2.1 Overview



**Fig. 1: Scope of delivery**

- 1 height adjustment piece
- 2 Backflow seal

## 3 Handling

### 3.1 Assembly information

#### 3.1.1 Installation dimensions

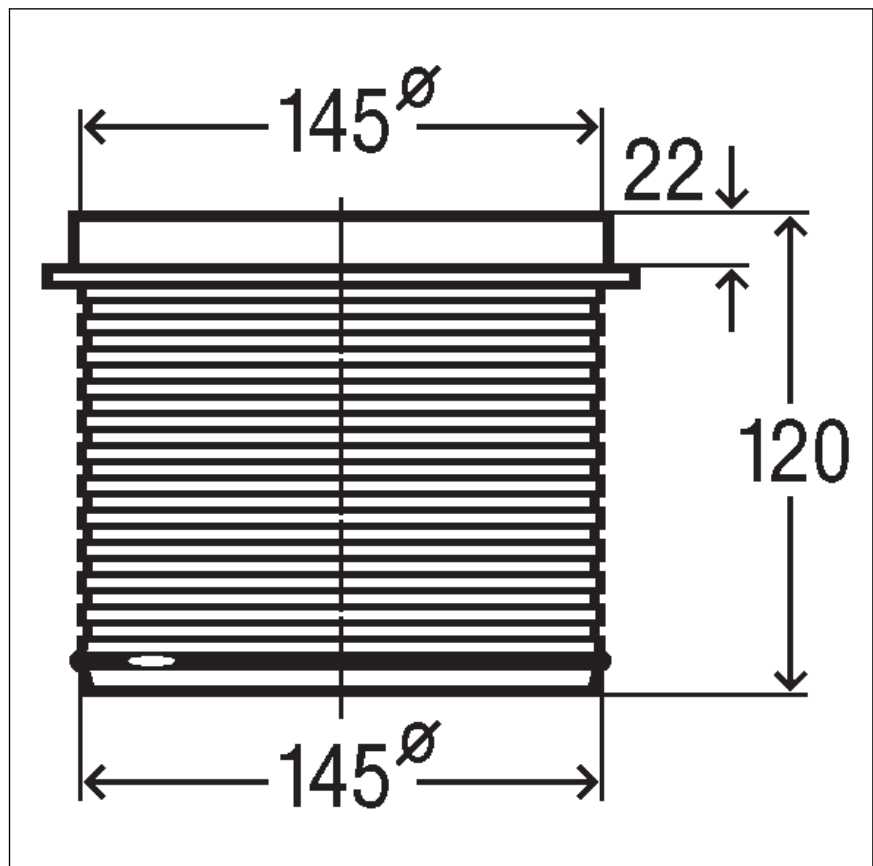


Fig. 2: Dimensional drawing

#### 3.1.2 Tools and materials

##### Required tools

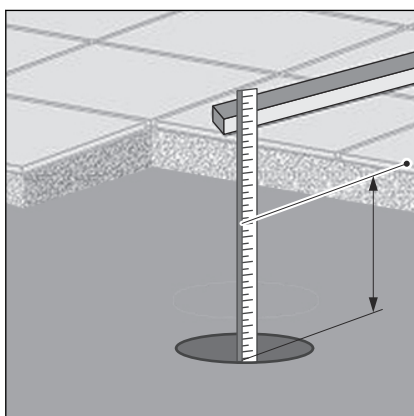
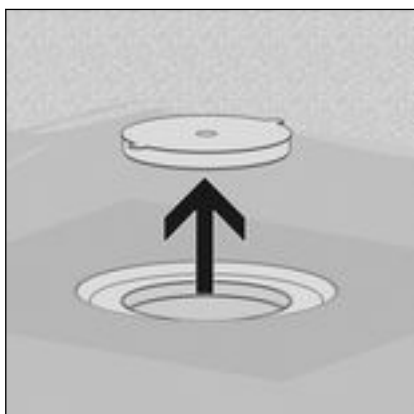
- Hand saw (saw blade maximum 1.5 mm)

##### Required material

- Advantix grate

## 3.2 Assembly

### Cutting the height adjustment piece to length

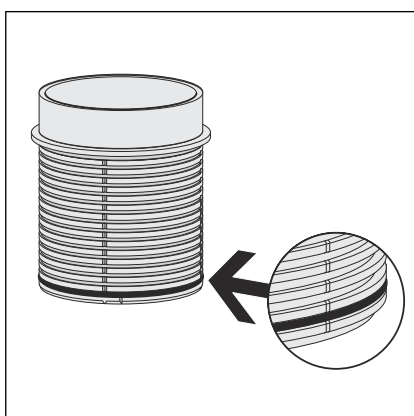


Requirements:

- The drain has been mounted and sealed.
- Remove yellow protective plug.

- Calculate the height of the floor construction from the edge in the inside of the drain up to the upper edge of the tiles.
- Starting with the upper edge of the frame, transfer the measured height to the height adjustment piece.
- Cut the height adjustment piece to the marked height.

### Install backflow seal



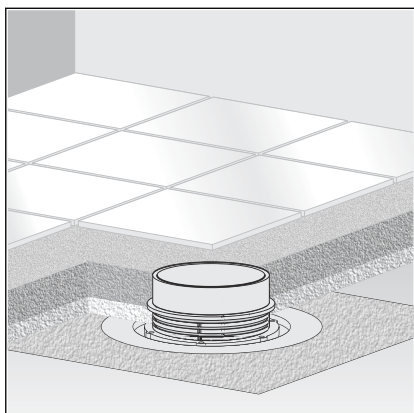
### NOTICE!

**Water damage due to incorrect installation of a backflow seal.**

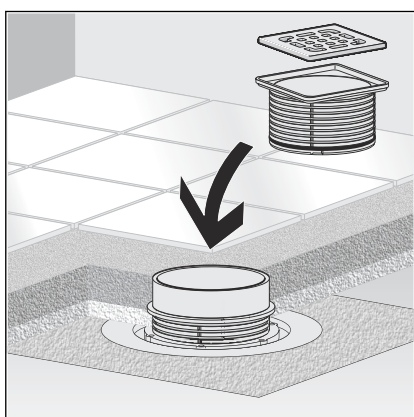
- Do not install a backflow seal if thin bed sealing is used.
- For conventionally sealed drains, a backflow seal must be employed when no dampness is supposed to flow into the drain from outside of the top but water may seep in from below. Normally, no backflow seal is mounted so that water that occurs around the frame (e. g. due to a leaky silicone joint) can flow away. In the following cases, a backflow seal must be used for conventionally sealed drains:
  - In the case of the risk of a build-up of water that can soak through the screed.
  - When a stacking element is mounted for the thin bed sealing (see instructions for use for the stacking element).
- If necessary, insert backflow seal in the lowest notch of the height adjustment piece.



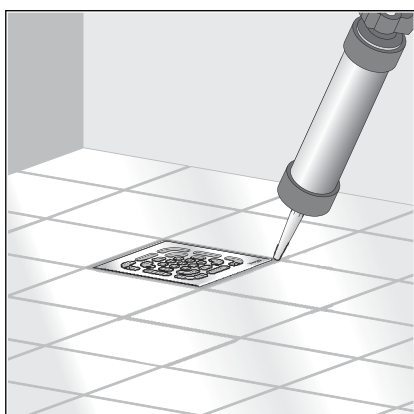
### Inserting the height adjustment piece



- Place the height adjustment piece into the drain.
- Align the height adjustment piece with the tiles.
- Work the height adjustment piece into the screed or floor covering.



- Position the top frame and the Advantix grate on the height adjustment piece.



- Lay tiles. Keep gap between top and flange free from surface seal and tile adhesive.
- Close the gap between grate and tiles with silicone.

## 3.3 Disposal

Separate the product and packaging materials (e. g. paper, metal, plastic or non-ferrous metals) and dispose of in accordance with valid national legal requirements.



**Viega GmbH & Co. KG**  
service-technik@viega.de  
viega.com

INT • 2022-08 • VPN140134

