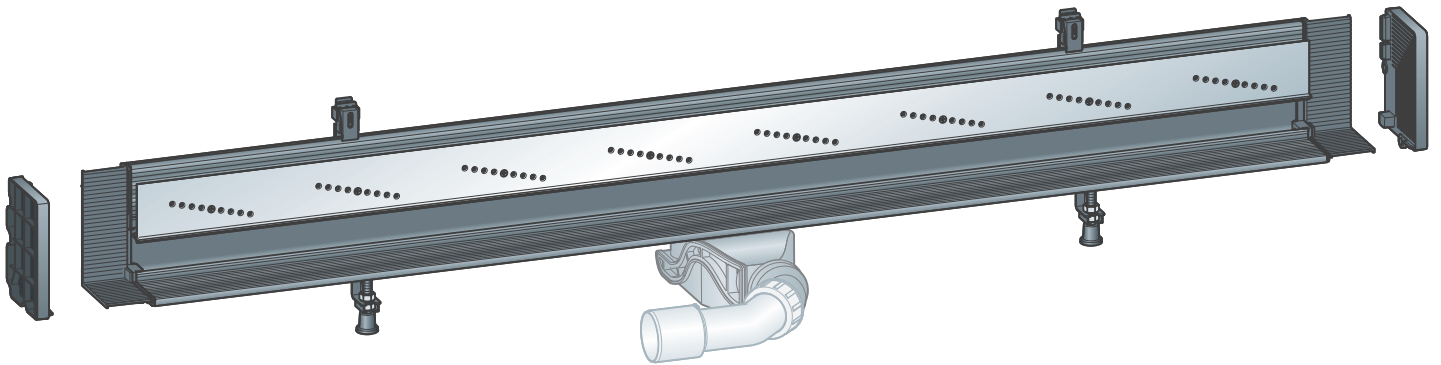


Advantix Vario shower channel base unit, wall

Instructions for Use



can be cut to any length required, 70 mm (reconstruction model)
for bonded sealing (tiled shower) or sealing lane

Model
4968.10

Year built:
from 01/2016

en_INT

viega

Table of contents

| | | |
|----------|--|-----------|
| 1 | About these instructions for use | 5 |
| 1.1 | Target groups | 5 |
| 1.2 | Labelling of notes | 5 |
| 1.3 | About this translated version | 6 |
| 2 | Product information | 7 |
| 2.1 | Standards and regulations | 7 |
| 2.2 | Intended use | 8 |
| 2.2.1 | Areas of use | 8 |
| 2.2.2 | Media | 8 |
| 2.2.3 | Drainage capacity | 9 |
| 2.3 | Product description | 9 |
| 2.3.1 | Installation variations | 9 |
| 2.3.2 | Overview of the components | 15 |
| 2.3.3 | Technical data | 16 |
| 2.3.4 | Sound protection | 16 |
| 2.4 | Information for use | 16 |
| 2.4.1 | Sealing | 16 |
| 2.4.2 | Fire protection | 19 |
| 2.5 | Required accessories | 19 |
| 3 | Handling | 20 |
| 3.1 | Assembly information | 20 |
| 3.1.1 | Important note | 20 |
| 3.1.2 | Tools and materials | 20 |
| 3.1.3 | Installation dimensions | 21 |
| 3.1.4 | Recommended procedure | 21 |
| 3.2 | Assembly | 21 |
| 3.2.1 | Shortening the profile | 21 |
| 3.2.2 | Mounting the closing caps on base unit | 24 |
| 3.2.3 | Determine height | 26 |
| 3.2.4 | Mounting feet and drain socket | 26 |
| 3.2.5 | Installation on a brick wall | 28 |
| 3.2.6 | Installation on a lightweight construction wall or pre-wall construction | 33 |
| 3.2.7 | Sealing the shower channel | 39 |
| 3.2.8 | Applying the wall and floor covering | 42 |
| 3.2.9 | Inserting the sieve | 48 |

| | | |
|--------|-----------------------------|----|
| 3.2.10 | Mounting the standing grate | 48 |
| 3.3 | Care | 55 |
| 3.3.1 | Care tips | 55 |
| 3.3.2 | Cleaning | 56 |
| 3.4 | Disposal | 57 |

1 About these instructions for use

Trade mark rights exist for this document; for further information, go to viega.com/legal.

1.1 Target groups

The information in this instruction manual is directed at the following groups of people:

- Heating and sanitary professionals and trained personnel
- Tilers
- Consumers

Individuals without the abovementioned training or qualification are not permitted to mount, install and, if required, maintain this product. This restriction does not extend to possible operating instructions.

The installation of Viega products must take place in accordance with the general rules of engineering and the Viega instructions for use.

1.2 Labelling of notes

Warning and advisory texts are set aside from the remainder of the text and are labelled with the relevant pictographs.



DANGER!

This symbol warns of possible life-threatening injury.



WARNING!

This symbol warns of possible serious injury.



CAUTION!

This symbol warns of possible injury.



NOTICE!

This symbol warns of possible damage to property.



This symbol gives additional information and hints.

1.3 About this translated version

This instruction for use contains important information about the choice of product or system, assembly and commissioning as well as intended use and, if required, maintenance measures. The information about the products, their properties and application technology are based on the current standards in Europe (e.g. EN) and/or in Germany (e.g. DIN/DVGW).

Some passages in the text may refer to technical codes in Europe/Germany. These should serve as recommendations in the absence of corresponding national regulations. The relevant national laws, standards, regulations, directives and other technical provisions take priority over the German/European directives specified in this manual: The information herein is not binding for other countries and regions; as said above, they should be understood as a recommendation.

2 Product information

2.1 Standards and regulations

The following standards and regulations apply to Germany / Europe and are provided as a support feature.

Regulations from section: Sealing

| Scope / Notice | Regulations applicable in Germany |
|--|---|
| Stress class of the underground, as well as suitable bonded sealing | ZDB-Merkblatt 8/2012 |
| Stress class of the underground, as well as suitable bonded sealing | Leitfaden zur Abdichtung im Verbund (AIV) |
| Approved bonded sealings with proof of practicability in keeping with building law for stress classes A and AO | ETAG 022 T1 |
| Approved bonded sealings with proof of practicability in keeping with building law for stress classes A, B and C | DIBt-Bauregelliste A, Teil 2 des DIBt und Prüfgrundsätze für Abdichtungen im Verbund (PG AIV-F) |
| Permitted bonded sealings | EN 14891 |
| Sealing of inside rooms | DIN18534 |

Regulations from section: Fields of application

| Scope / Notice | Regulations applicable in Germany |
|---|-----------------------------------|
| Floor drains with odour trap (≥50 mm in height) | DIN EN 1253 |

Regulations from section: Media

| Scope / Notice | Regulations applicable in Germany |
|-----------------------------|-----------------------------------|
| Typical domestic wastewater | DIN 1986-3 |

Regulations from section: Sound protection

| Scope / Notice | Regulations applicable in Germany |
|---|-----------------------------------|
| Fulfilled noise protection requirements | DIN 4109 |
| Fulfilled noise protection requirements | VDI 4100 |

Regulations from section: Important notes

| Scope / Notice | Regulations applicable in Germany |
|----------------------------------|-----------------------------------|
| Dimensions of slots and recesses | EN 1996 |

2.2 Intended use

2.2.1 Areas of use

The wall drain is used as a drain in the bathroom for a floor-level shower. It is dimensioned for small to medium volumes of water, which occur in e.g. residential building. The wall drain complies with the requirements of the applicable regulations, see ↗ „Regulations from section: Fields of application“ on page 7.

Due to its flat installation height, the shower channel is especially suitable for the refurbishment of old buildings with a low floor thickness.

Technical information, see ↗ Chapter 2.3.3 „Technical data“ on page 16.

2.2.2 Media

The shower channel is intended for draining of household-type wastewater in constant operation, see ↗ „Regulations from section: Media“ on page 7.

- The short-term temperature of the wastewater may reach up to 95° C. The temperature must be considerably lower in constant operation.
- The pH value must be higher than 4 but lower than 10.

It is not permitted to introduce wastewater which would damage the product material.

2.2.3 Drainage capacity

| Accumulation height | with sieve insert Installation height 70 mm |
|---------------------|--|
| 10 mm | 0.4 l/s |
| 20 mm | 0.5 l/s |

2.3 Product description

2.3.1 Installation variations



The length and shape of the Advantix Vario shower channel can be variably adapted. Use the shower channel configurator to calculate the material required for any design available: <http://advantix-vario.viega.cz/>

The length of the shower channel can be adapted to suit:

- The base unit can be shortened to a length of 300 mm with millimetre precision.
- Installation situation 1 to 3: The standing grate with cover cap can be installed against the wall or glass partition **without spacing**.
- Installation situation 4 and 5: (wall offset to the rear): The standing grate with cover cap must be installed against the wall or glass partition **with spacing**.

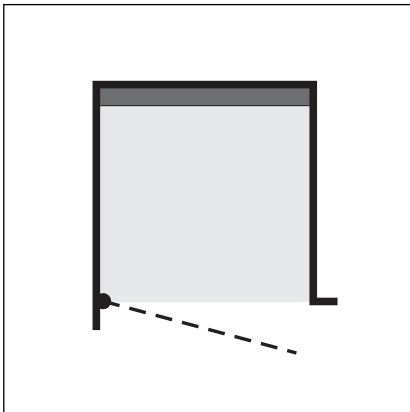


Fig. 1: Installation variation 1

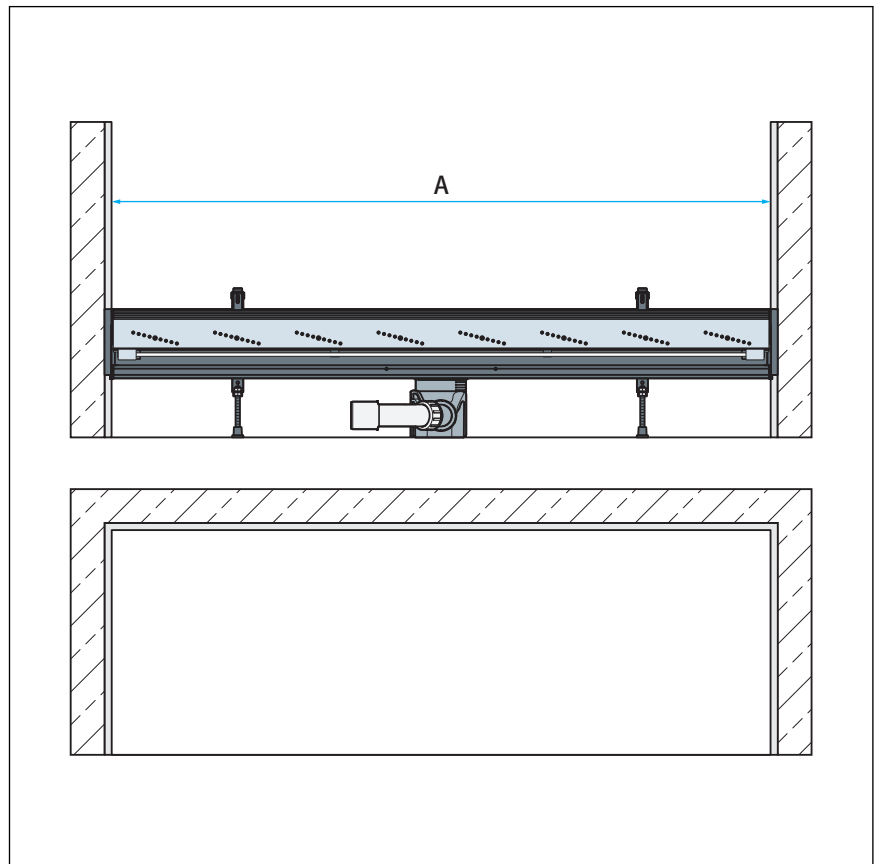


Fig. 2: Shower channel in the niche: masonry walls on left and right sides

A Wall area to be sealed

Sawing dimensions for the profile: dimension A

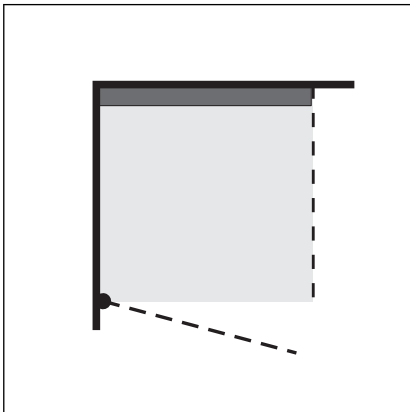


Fig. 3: Installation variation 2

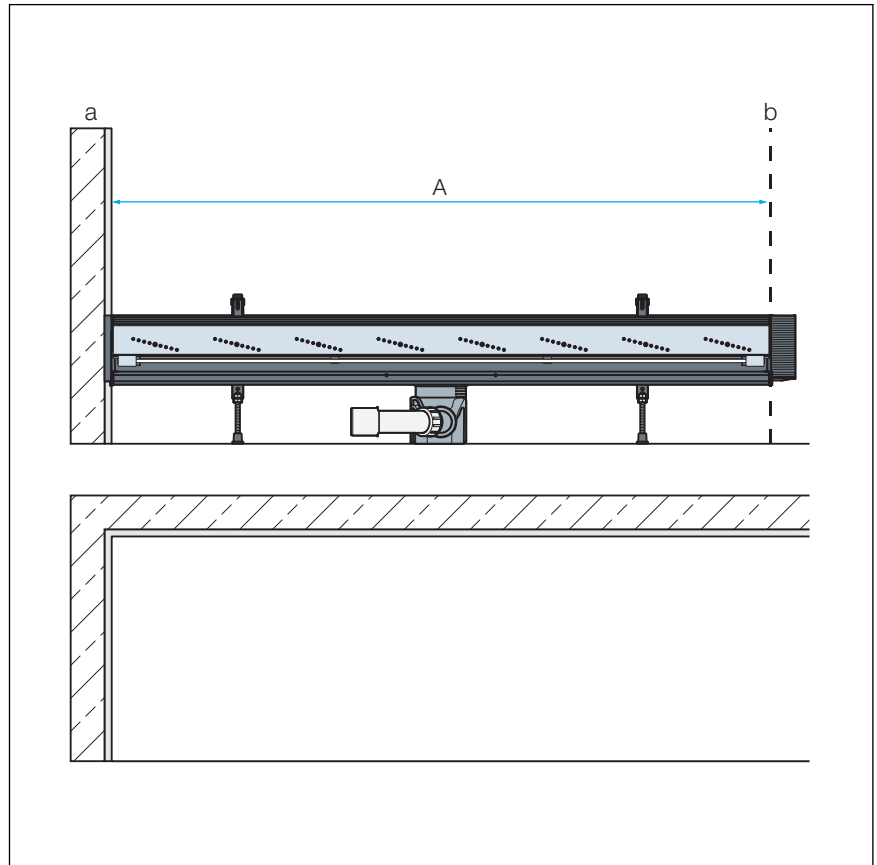


Fig. 4: Shower channel in the corner: masonry wall on left side, glass partition on right side, external closing piece on right side

- A Wall area to be sealed a to inner edge glass partition b
- a Wall area to be sealed
- b Glass partition

Sawing dimensions for the profile: dimension A

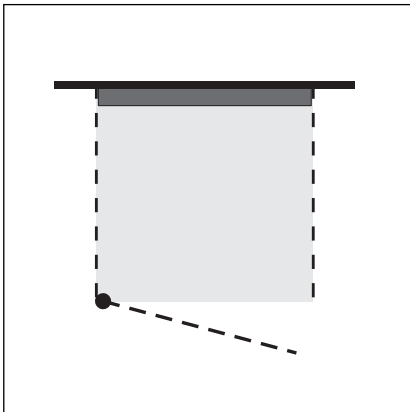


Fig. 5: Installation variation 3

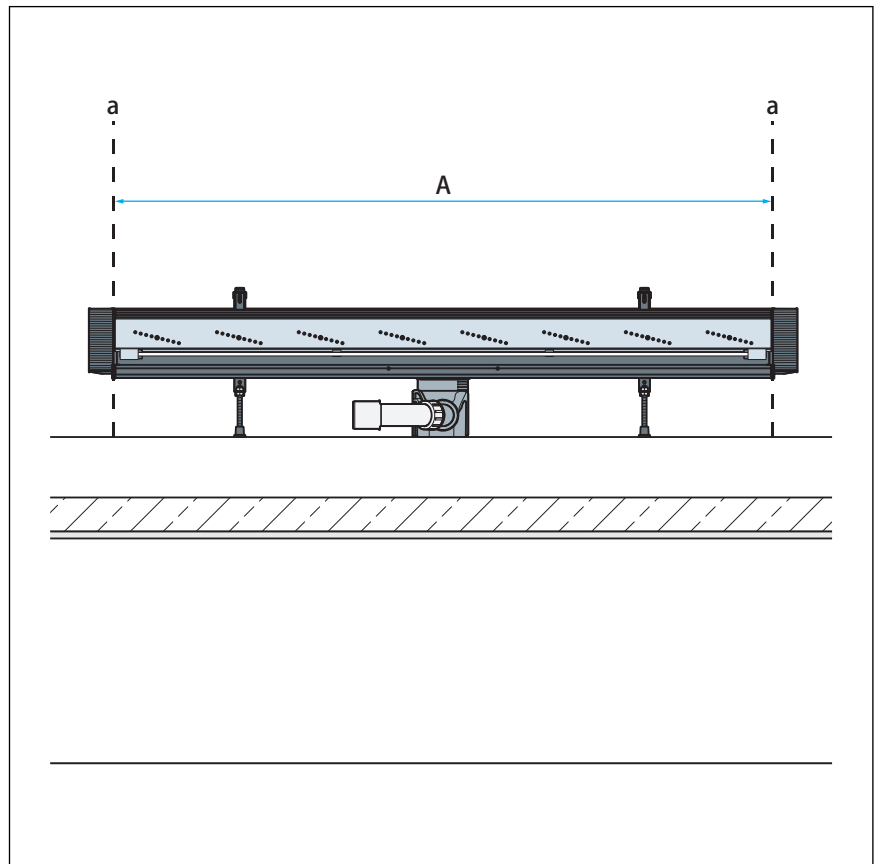


Fig. 6: Glass partition on left and right side, external closing pieces on left and right side

- A Inner edge glass partition
- a Glass partition

Sawing dimensions for the profile: dimension A

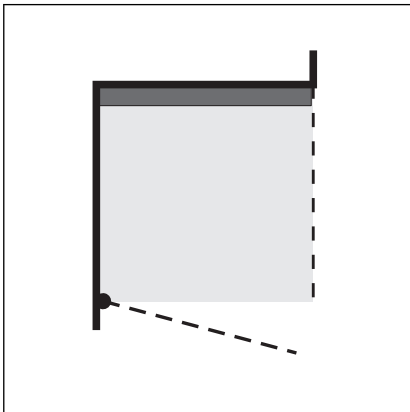


Fig. 7: Installation variation 4

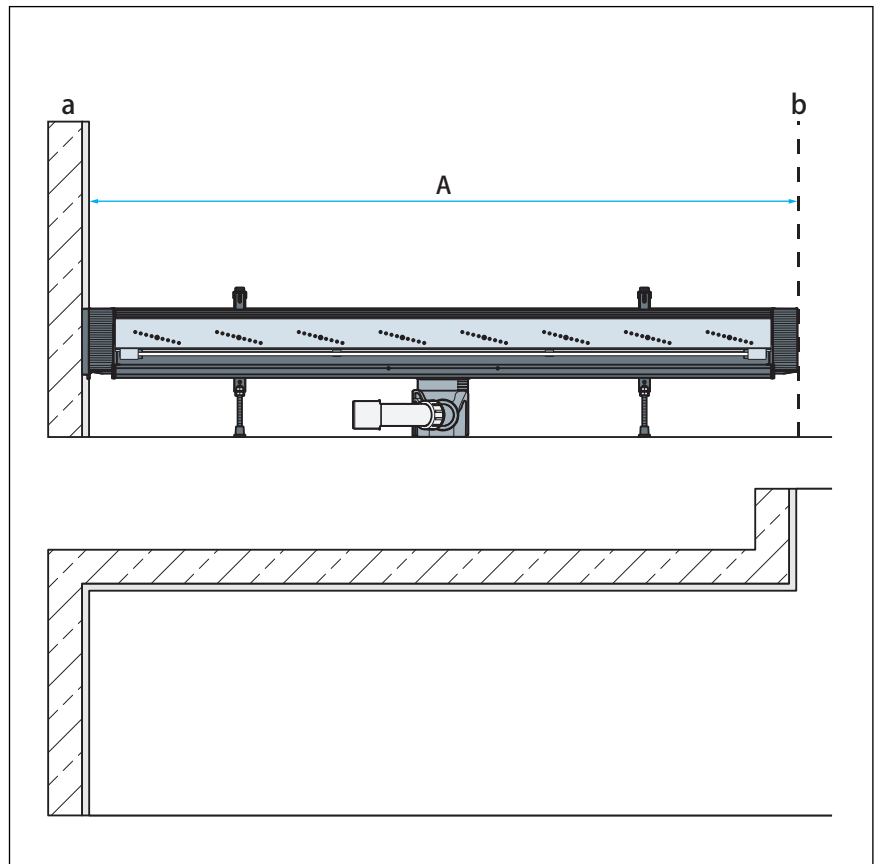


Fig. 8: Shower channel in the corner: masonry wall on left, glass partition on right, internal closing pieces left and right side

- A Wall area to be sealed a to outer edge closing cap b
- a Wall area to be sealed
- b Glass partition

Sawing dimensions for the profile: dimension AA-90 mm (90 mm = 2x width of closing pieces)

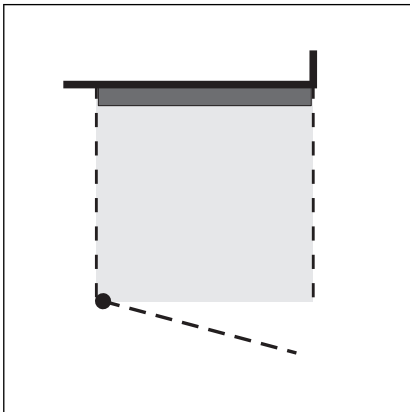


Fig. 9: Installation variation 5

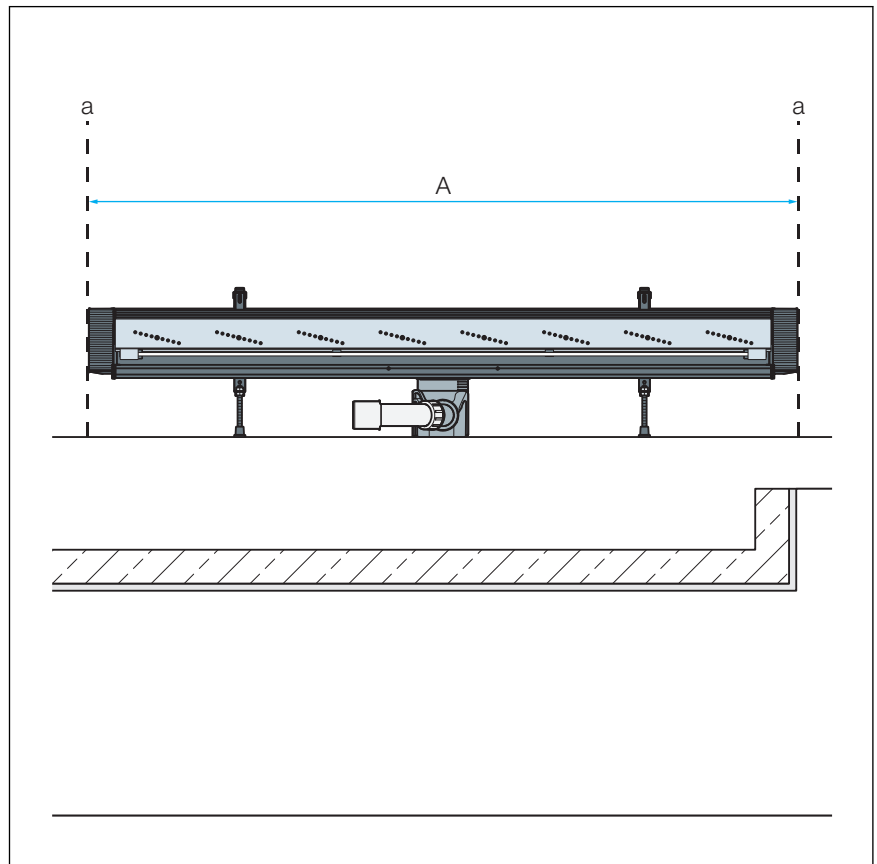


Fig. 10: Glass partition left and right side, internal closing pieces left and right side

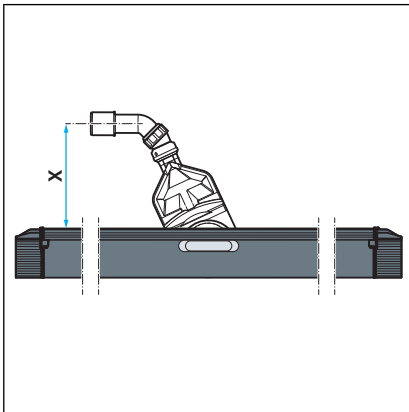
- A Inner edge glass partition
- a Glass partition

Sawing dimensions for the profile: dimension AA-90 mm (90 mm = 2x width of closing pieces)

Alternative drain

If the drain line is to be installed in the lightweight construction wall, you can use the following drain:

Model 4966.18



| Installation height shower channel (mm) | x (dimension of installation depth of lightweight construction wall) | l/s |
|---|--|-----|
| 50 | 245 mm | 0.3 |

Fig. 11: Model 4966.18 (reconstruction model)

2.3.2 Overview of the components

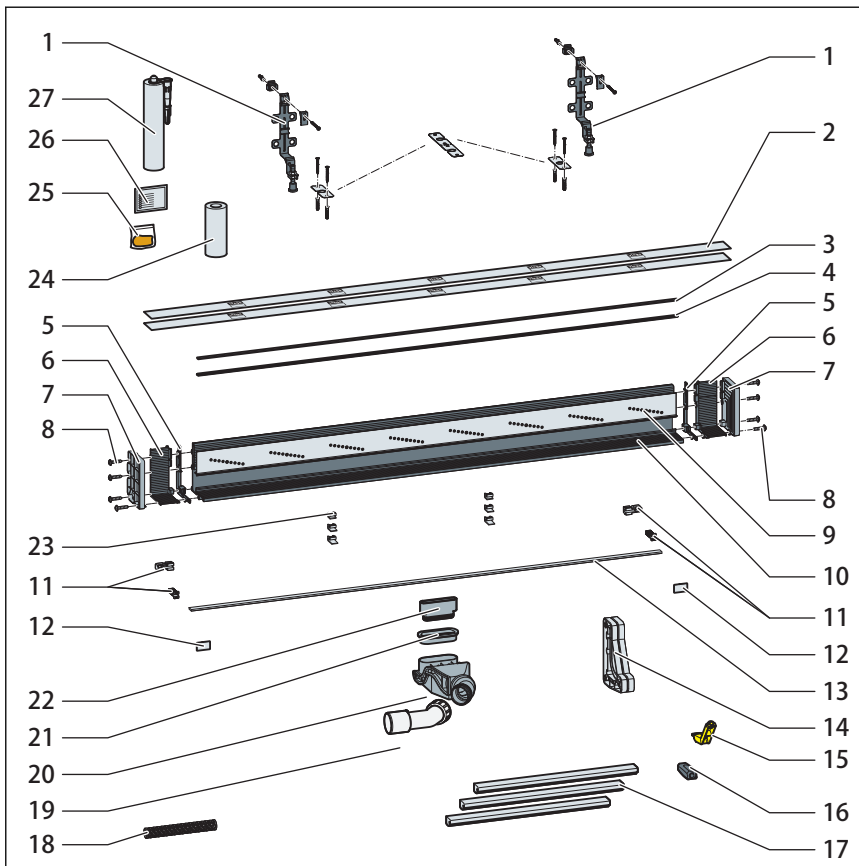


Fig. 12: Components and scope of delivery

- | | |
|-----------------------------|--|
| 1 feet with fixing material | 11 Standing grate holder* |
| 2 protective foil | 12 Cover caps* |
| 3 protective seal | 13 Standing grate* |
| 4 Seal | 14 Saw guide |
| 5 Seal | 15 Mounting aid* |
| 6 closing set straight | 16 Tile protection and checking tool |
| 7 closing set niche | 17 Protective insert made of hard foam |
| 8 fixing screws | 18 Sieve |
| 9 Tile boundary piece | 19 Connection elbow 40/50 |
| 10 Base unit | 20 Odour trap |

- 21 Seal
- 22 test adapter
- 23 standing grate supports
- 24 sealing tape

- 25 bag with grease
- 26 Cleaning cloth
- 27 Mounting adhesive
- * not included in scope of delivery

2.3.3 Technical data

| | |
|---|--|
| Nominal width [DN] | 40 / 50 |
| Material | Base unit made of plastic |
| Drainage capacity | ↳ Chapter 2.2.3 „Drainage capacity“ on page 9 |
| Dimensions and installation height | ↳ Chapter 3.1.3 „Installation dimensions“ on page 21 |
| Water seal level | 25 mm |
| Suitable for the following covering thicknesses (tiles + tile adhesive) | Floor covering 8–28 mm Wall covering 10–28 mm |
| Load | max. 120 kg load per standing grate holder |

2.3.4 Sound protection

The measured sound level during water drainage is 19 dB(A). For information on sound protection requirements met, see ↳ „Regulations from section: Sound protection“ on page 8.

2.4 Information for use

2.4.1 Sealing

Bonded sealing

To protect against moisture penetration, apply sealing foils, which are to be processed in liquid state, directly below the tiles on screed and walls. The determination of the stress class and the underground as well as the selection of the suitable bonded sealing must be carried out in compliance with the valid standards and regulations, see: ↳ „Regulations from section: Sealing“ on page 7.

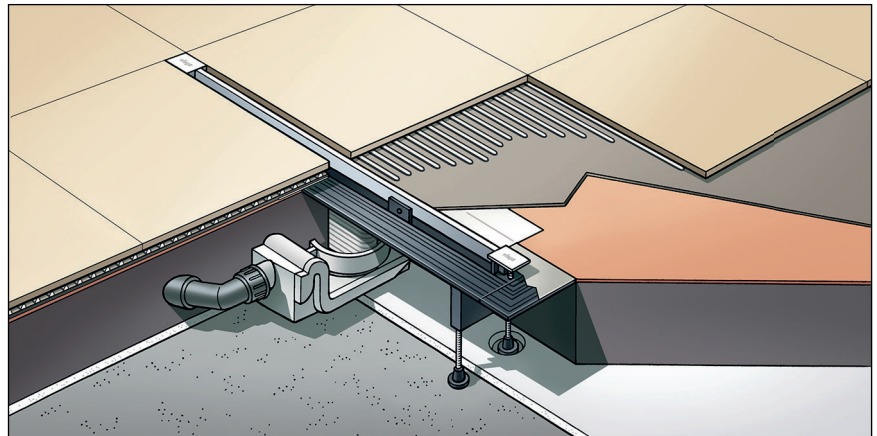


Fig. 13: Diagram of a bonded seal

Important note

Careful planning is required for professional sealing. In addition, depending on the individual dampness wear class and the type of foundation, a suitable thin bed bonded sealing with a building regulations certificate of suitability must be chosen.

Furthermore, the following factors should be taken into account:

- The drain or shower channel must be equipped with a special flange, which has an adhesive surface and a width of at least 50 mm.
- For bridging the material change from drain to screed, either a suitable sealing collar or sealing tape designed for overlapping with the thin bed bonded sealing over a width of at least 50 mm must be used.
- The screed must be laid at a minimum incline of 1–2%.
- The installation must be carried out properly in acc. with the mounting instructions and the manufacturer's information.

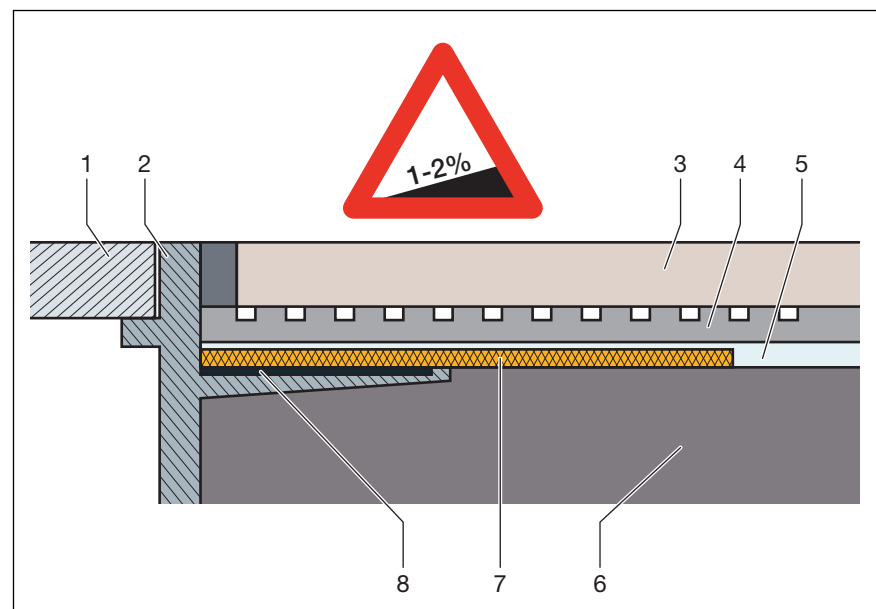


Fig. 14: Construction diagram of the bonded seal - min. screed incline 1–2 %

- 1 Grate
- 2 Top piece with adhesive flange
- 3 Tile
- 4 Tile cement
- 5 Bonded sealing
- 6 Screed
- 7 Sealing collar
- 8 Adhesive

Permitted bonded seals

In connection with suitable drains, only approved bonded sealings with proof of practicability in keeping with building law may be used. See [☞ „Regulations from section: Sealing“ on page 7.](#)

Information regarding the procedure can be found in the instructions for use of the corresponding product.

2.4.2 Fire protection

Advantix shower channels and drains can both be fitted to be fire proof. The R120 pipe lead-in can be used for this purpose in the floor construction. In this way, a fire resistance time of up to 120 minutes can be achieved.

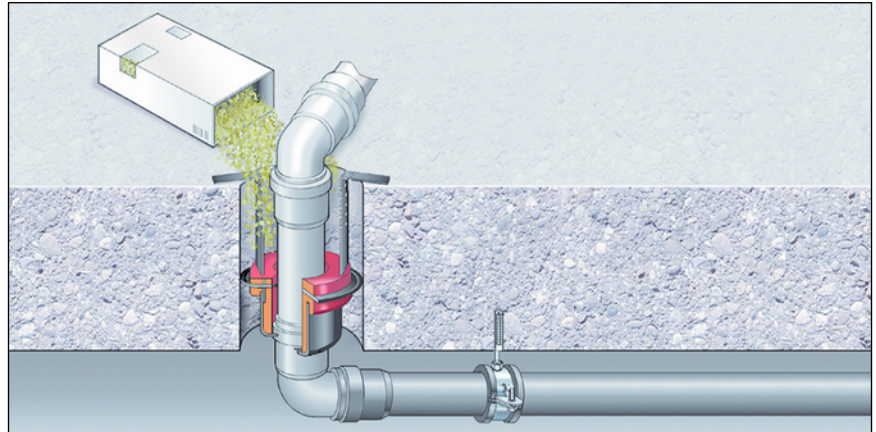
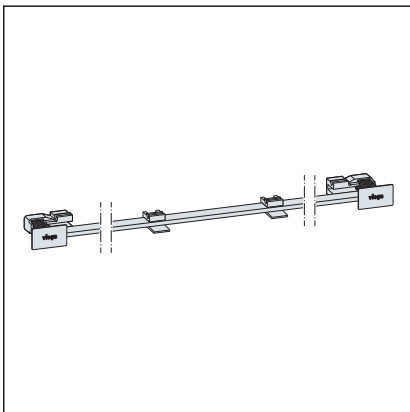


Fig. 15: Example: fire protection pipe lead-in

Mounting instruction of the R120 pipe lead-in see model 4923.5, art.-no. 491 673.

2.5 Required accessories



A standing grate set is required for the shower channel. The complete range and the required information can be found in the catalogue.

3 Handling

3.1 Assembly information

3.1.1 Important note

Before assembly:

- Check if the drainage capacity of the model chosen is sufficient for the arising water volume ↪ *Chapter 2.2.3 „Drainage capacity“ on page 9.*
- An adequate level of floor covering stability must be guaranteed ↪ *Chapter 2.3.3 „Technical data“ on page 16.* This can be achieved either through an adequate screed thickness or another alternative solution. Relevant measures must be considered before mounting.
- The dimensions of slots and recesses must be in compliance with the regulations from section ↪ *„Regulations from section: Important notes“ on page 8.*
- As a rule, a wall construction of 25 mm is required. This can either be achieved through suitably thick cladding (also double planking of 2 x 12.5 mm) or through the application of a layer of plaster.

During assembly:

- Observe installation dimensions.
- The shower channel is suitable for the following covering thicknesses (tiles + tile adhesive):
 - Floor covering 8–28 mm
 - Wall covering 10–28 mm
- Do not use mounting adhesive older than 18 months.
- Position the shower channel in such a way that the grate is removable.

After assembly:

- The shower channel must be fully lined with mortar.
- The sealing accessories should be given to the person responsible for the bonded sealing (e.g. tiler).
- Coordinate all relevant installation details, especially regarding the bonded sealing, with those responsible for the subsequent work.

3.1.2 Tools and materials

Special tools

- Fork spanner size 13
- Hand saw (saw blade maximum 1.5 mm)
- Allen key size 4
- Drill, 6 mm
- Tool for the removal of the grate (e.g. model 4965.90, art. no. 689 704)

Mounting adhesive

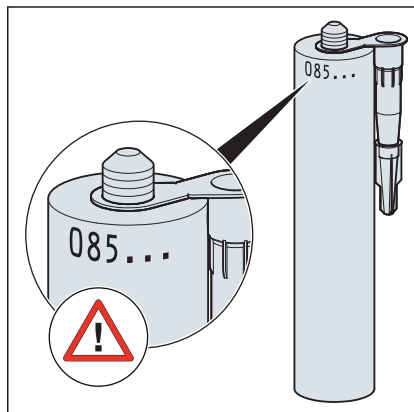


Fig. 16: Filling date of the mounting adhesive

Mounting adhesive can be used for a maximum of 18 months.

The filling date is found on the top edge of the cartridge. The first two numbers represent the month, the following number the year.

Example

085...

Filling date = August (08) 2015 (5)

3.1.3 Installation dimensions

3.1.4 Recommended procedure

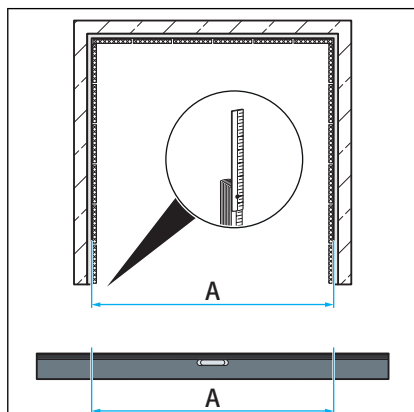
The variable installation possibilities of the Advantix Vario require careful planning of the assembly steps. Viega generally recommends the following order:

1. Calculate length and cut profile to length if necessary.
2. Pre-mount all short profile parts.
3. Connect the pre-mounted parts to the desired shape.
4. Calculate height and mount feet.
5. Mount base unit and align shower channel.
6. Line the shower channel with screed and seal.
7. Tile the floor.
8. Mount the standing grate.

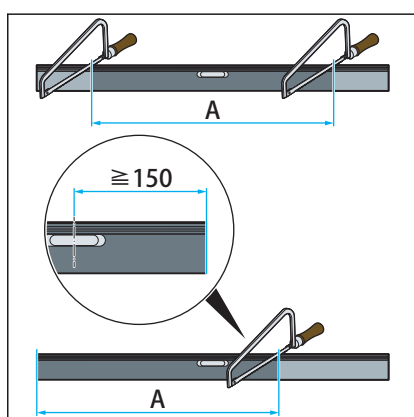
Description of the assembly steps, see [Chapter 3.2 „Assembly“](#) on page 21.

3.2 Assembly

3.2.1 Shortening the profile

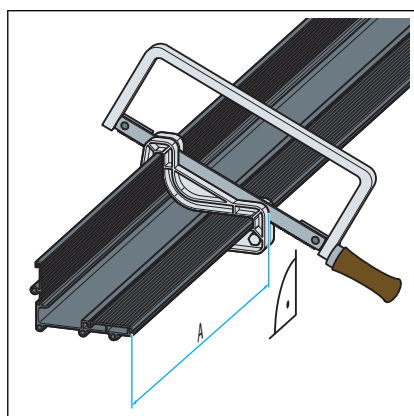


- Calculate the profile length.



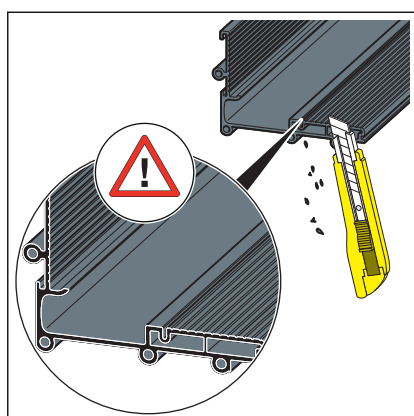
- Transfer the length of the profile onto the shower channel.

INFO! Depending on the installation situation, the shower channel can be shortened on one or both sides. The position of the drain may be chosen freely. However, the distance from the middle of the drain to the end of the profile may not be less than 150 mm.

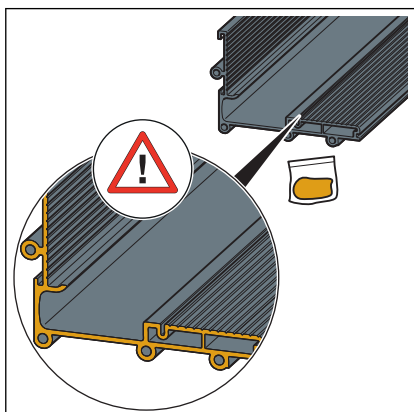


- Align the saw guide at the length.
- Cut the profile to length at right angles. Make the cut with the handsaw across both profile edges.

The saw blade must not be wider than 1.5 mm.



- Carefully deburr all edges.
- Particular attention should be paid to surfaces in contact with the seal.



- The profile must be lubricated in the area around the seal.

INFO! No lubricant should come into contact with the flange! Optimal adhesion of the sealing material is only ensured on a grease-free flange.

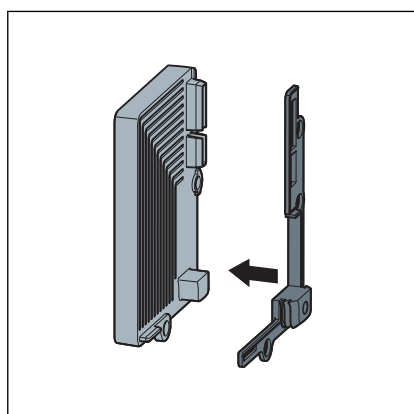
- If necessary, clean flange. Use the cleaning cloth supplied or a non-greasing cleaner, e.g. isopropanol.

3.2.2 Mounting the closing caps on base unit

Depending on the installation situation, you will need to mount different end pieces to the profile.

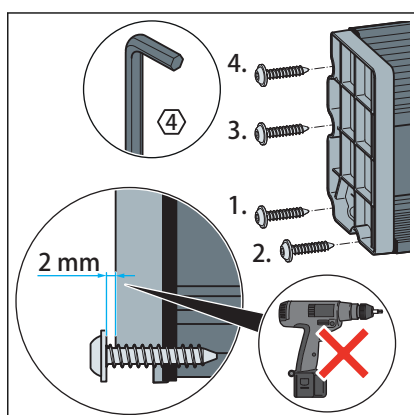
- Installation situation in a corner: Mount the closing cap
- Installation situation at an uninterrupted wall: Mount the closing piece

When mounting in a corner situation



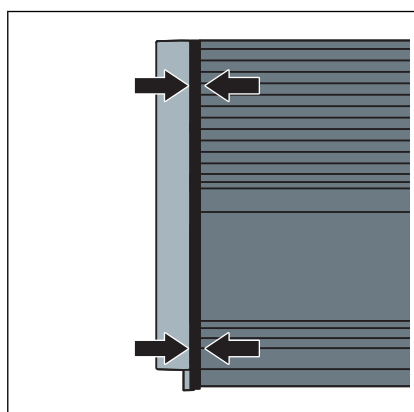
- Place the seal on the closing cap.

The Figure shows the closing cap for the left side.



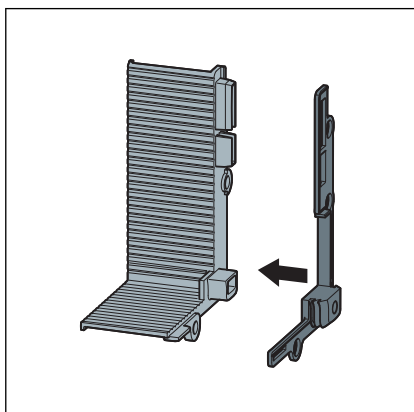
- Screw the closing cap onto the profile straight until approx. the last 2 mm.

INFO! Make the last few turns by hand. Tighten the screws hand-tight only!



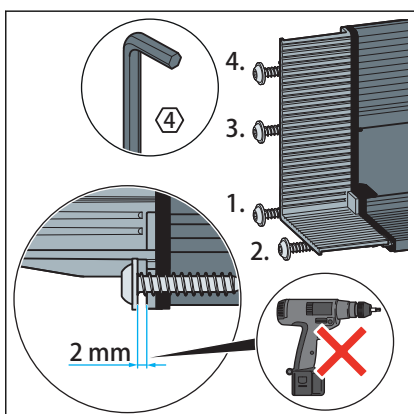
- ⇒ The closing cap is properly mounted when the seal is pushed together **gently**.

When mounting on an uninterrupted wall



- Place the seal on the closing piece.

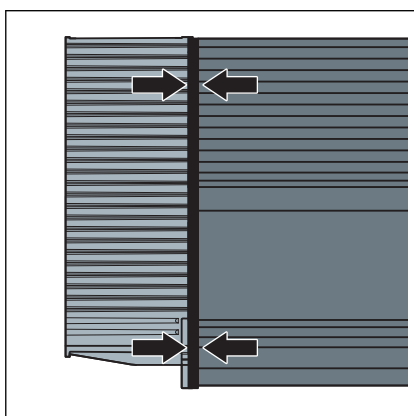
The Figure shows the closing piece for the left side.



- Screw the closing piece onto the profile straight until approx. the last 2 mm.

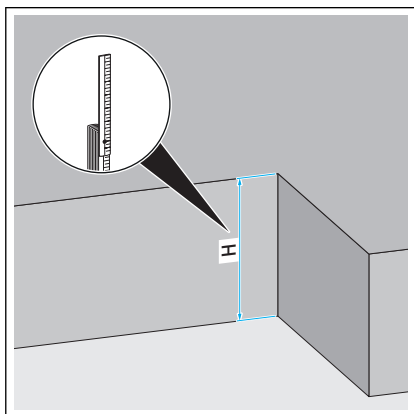
INFO! Make the last few turns by hand. Tighten the screws hand-tight only!

- ⇒ The closing piece is properly mounted when the seal is pushed together **gently**.

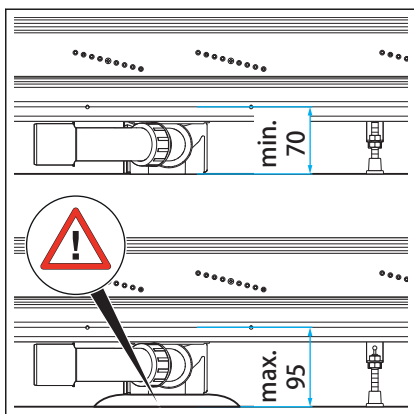


You must now calculate the height and align the shower channel
 ↻ Chapter 3.2.3 „Determine height“ on page 26.

3.2.3 Determine height

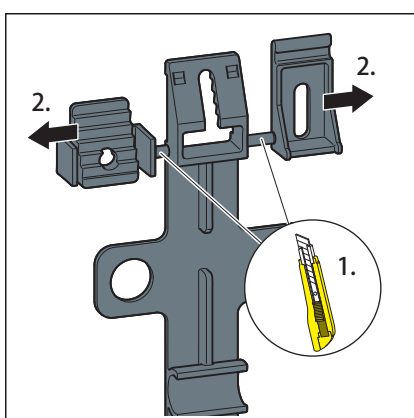


- Determine screed height (H).
 The installation height is variable from 70–95 mm.

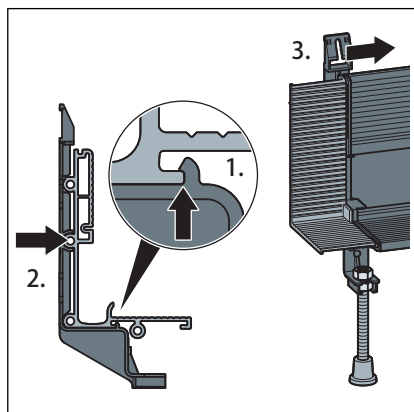


- At installation height over 70 mm:
 Line the odour trap.
 This prevents the odour trap from slipping off the drain socket.

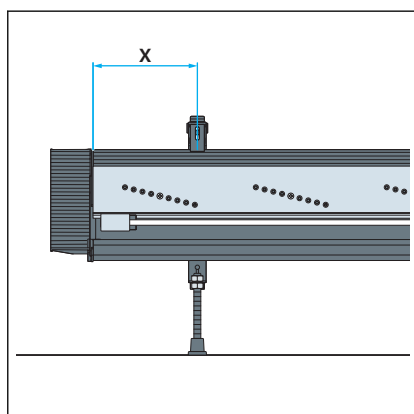
3.2.4 Mounting feet and drain socket



- Cut the distance adjustment and channel holder to length.



- Position the foot and push the profile into place.
The foot can be moved on the base unit.



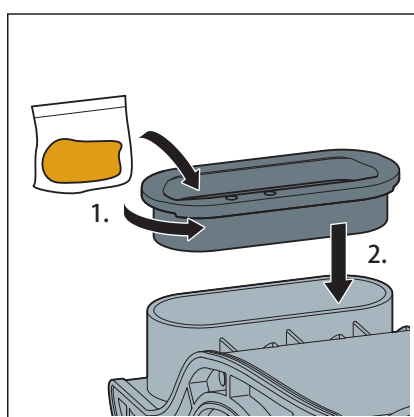
- Calculate the distances of the feet to the closing cap using the table.

| Length of the shower channel | Distance (X) to the closing cap |
|------------------------------|---------------------------------|
| 300–400 mm | 50 mm |
| 400–600 mm | 100 mm |
| 600–900 mm | 150 mm |
| 900–1200 mm | 200 mm |

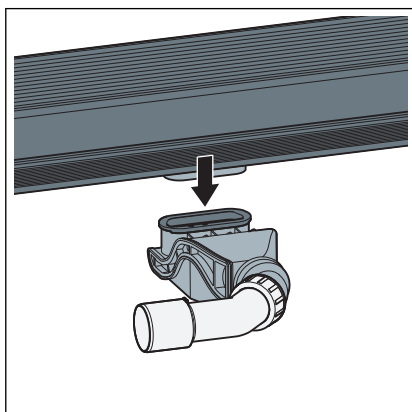
The dimensions apply to installation on a brick wall. For mounting on a pre-wall or lightweight construction wall, the dimensions are more or less identical.

- Distribute the feet over the shower channel length according to the table.

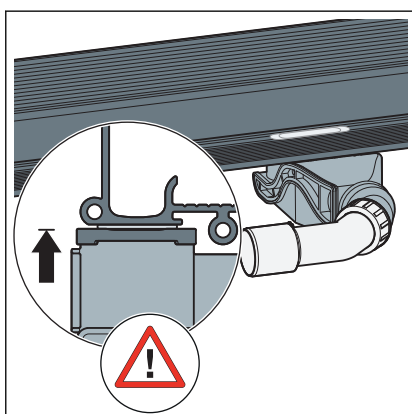
Insert the drain socket



- Degrease the seal on both sides and mount it.


INFO!

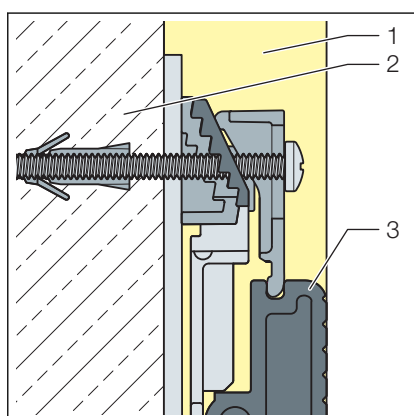
- Lay the drain stress-free.
 - After inserting the drain, do not twist the odour trap any more.
- Push the shower channel with drain socket into the odour trap as far as it will go.



- Check whether the shower channel is inserted as far as it will go.

3.2.5 Installation on a brick wall

Mounting examples

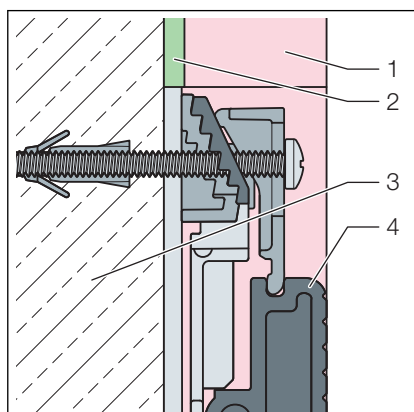


With plastered wall

- 1 Plaster layer, 25 mm
- 2 Brickwork
- 3 shower channel

Fig. 17: Wall with 25 mm plaster layer

With XPS rigid foam board



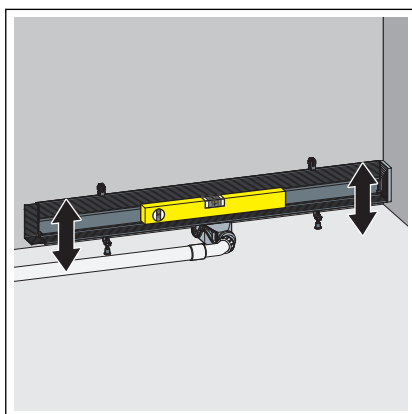
- 1 XPS rigid foam board, 20 mm
- 2 Adhesive 5 mm
- 3 Brickwork
- 4 shower channel

Fig. 18: 20 mm XPS rigid foam board

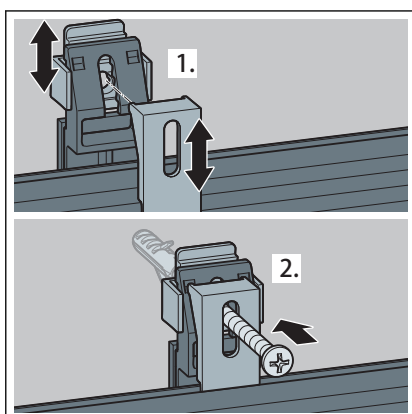
Aligning and fixing



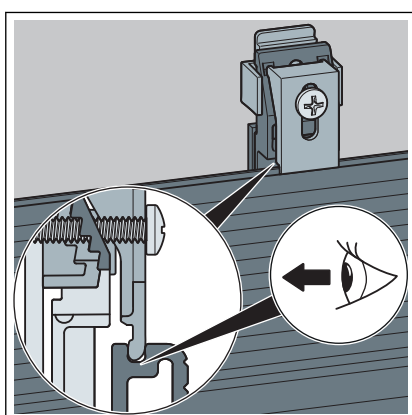
The water that occurs must be discharged properly, see [Chapter 2.2.3 „Drainage capacity“](#) on page 9.



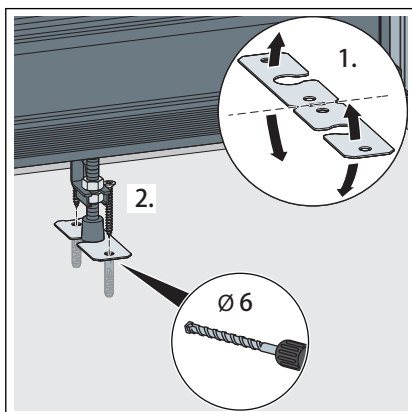
- Align the shower channel with the adjustable feet horizontally in all directions.
- Connect the drain to the wastewater system.



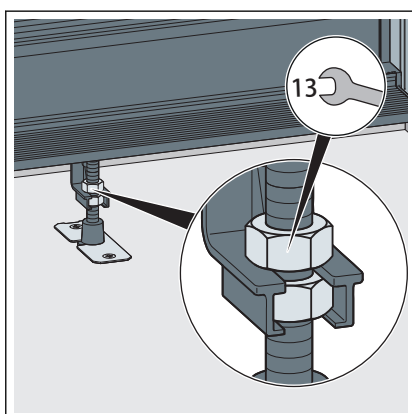
- Use the spacer (1) to adjust the shower channel to the wall situation.
- INFO! Do not drill through the spacer!**
- Insert and fasten the channel holder (2).



- Check whether the channel holder sits properly in the groove of the shower channel.

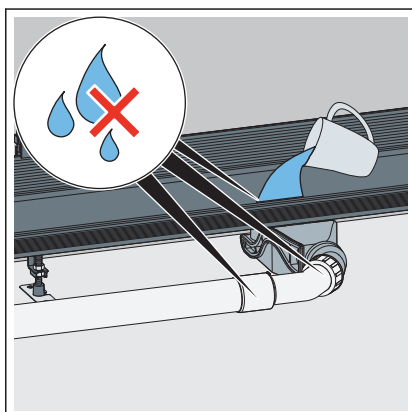


- Secure the feet in place with fixing material if necessary.

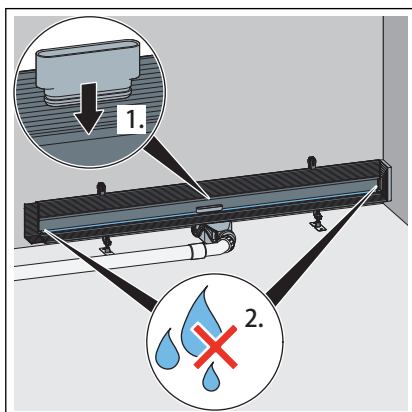


- Fix the foot height adjustment with lock nuts.

Checking for leak tightness



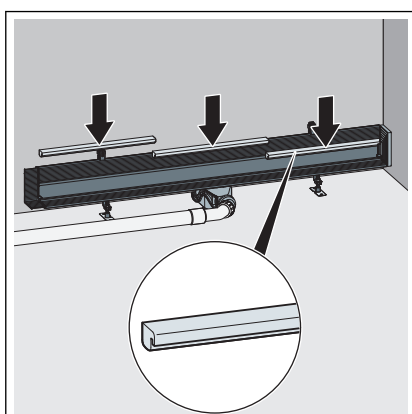
- Fill the shower channel with water.
- Check the drain casing and the pipe for leaks.



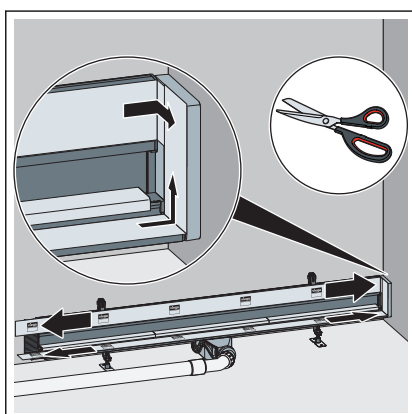
- Insert the test adapter into the drain hole of the shower channel.
- Fill the shower channel up to just below the flange with water.
- Check the closing caps for leak tightness.

- Next, remove the test adapter from the drain hole.

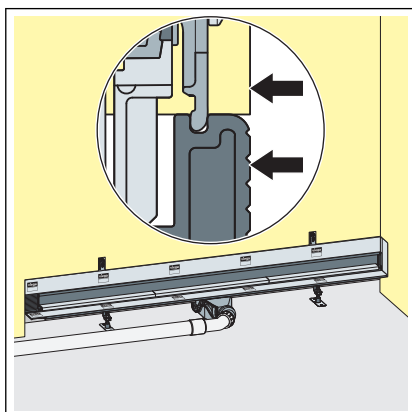
Preparing for further work



- Insert the site protection.



- If necessary, shorten the protective foil and stick onto the flange. Completely cover the closing caps with protective foil.



- Embed the shower channel into the plaster or into the rigid foam board.

The following applies: front edge flange = wall to be sealed



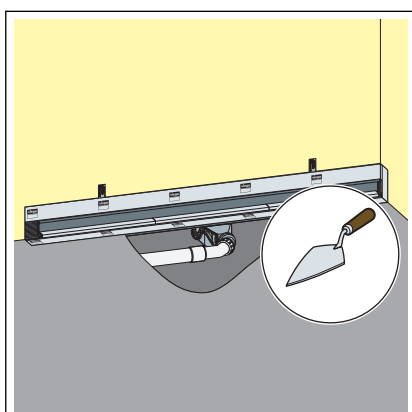
NOTICE!
Product damage due to improper installation

If hollow spaces occur during the lining of the shower channel, leaks may occur when pressure is applied.

Inform the subsequent workers that the shower channel must be fully lined and that there must be no hollow spaces.



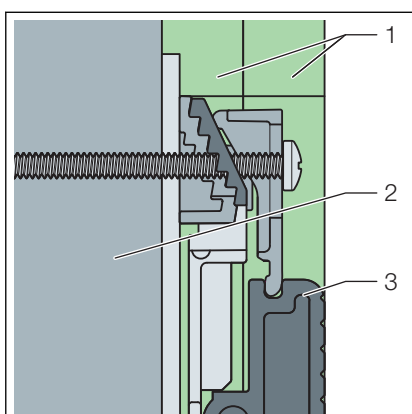
Screed and floor tiles must be laid at an incline of 1–2 % in the direction of the shower channel.



- Line the shower channel up to the upper edge of the flange with screed.

3.2.6 Installation on a lightweight construction wall or pre-wall construction

Mounting examples

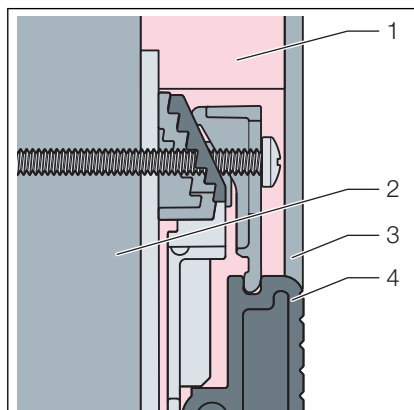


With two gypsum plaster boards (12.5 mm each)

- 1 Gypsum plaster boards
- 2 CW or pre-wall profile
- 3 shower channel

Fig. 19: Lightweight construction wall with two gypsum plaster boards, 12.5 mm each

With XPS rigid foam board (20 mm)



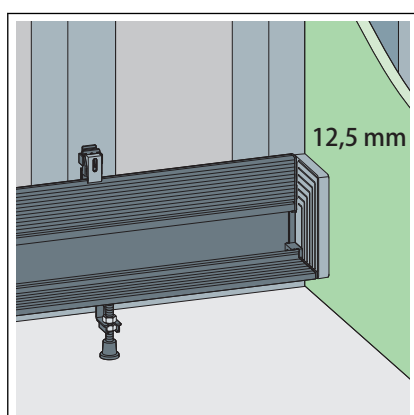
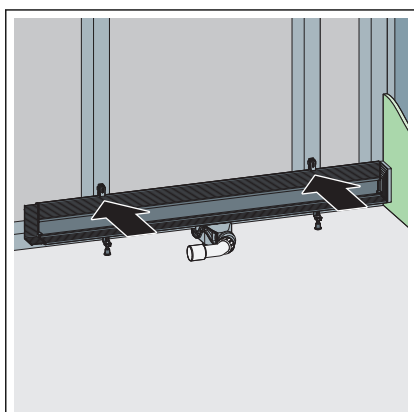
- 1 XPS rigid foam board
- 2 Pre-wall profile
- 3 levelling compound
- 4 shower channel

Fig. 20: 20 mm XPS rigid foam board

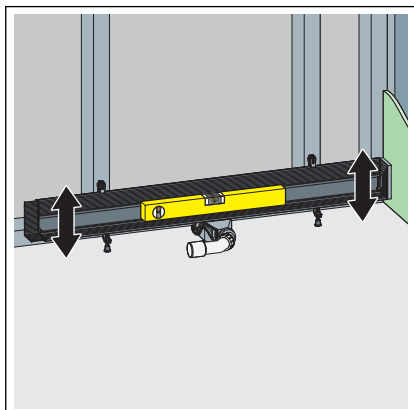
Aligning and fixing

Requirements

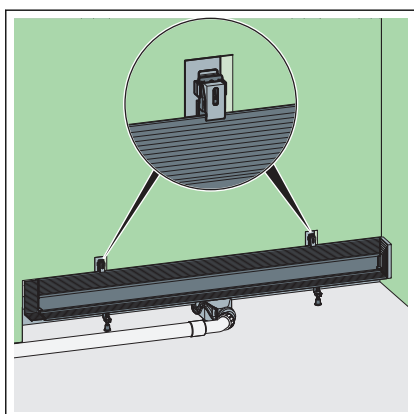
- Before mounting, the position of the CW profiles must be coordinated with the drywall builders.
- For corner mounting, the contact surfaces for the closing caps must be covered with cladding (12.5 mm).
- Place the shower channel before the support profile/pre-wall.



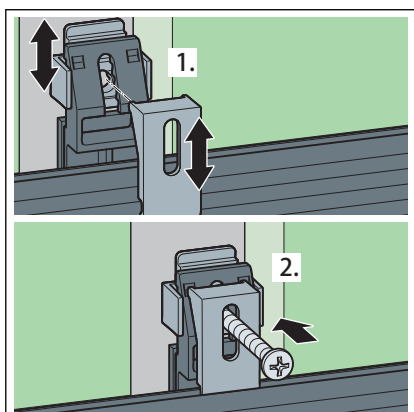
- With corner mounting:
The contact surface for the closing cap must be covered with cladding (12.5 mm).



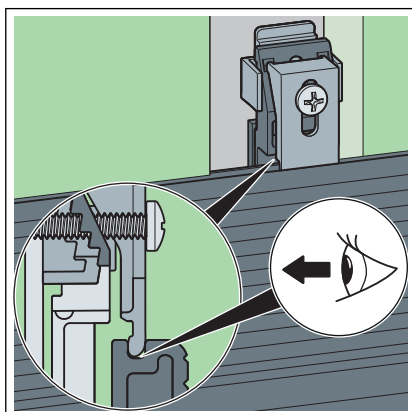
- Align the shower channel horizontally.



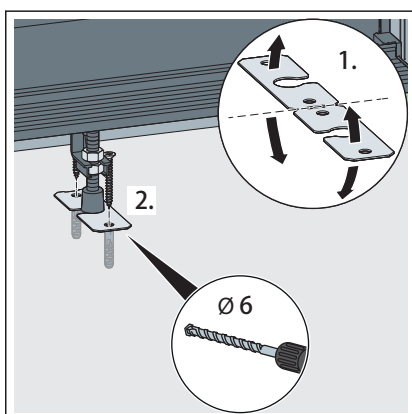
- Connect the drain to the wastewater system.
- Cut the first layer of gypsum plaster board to length.
- Push the gypsum plaster board in behind the shower channel. Leave a space for the fastening holders free.



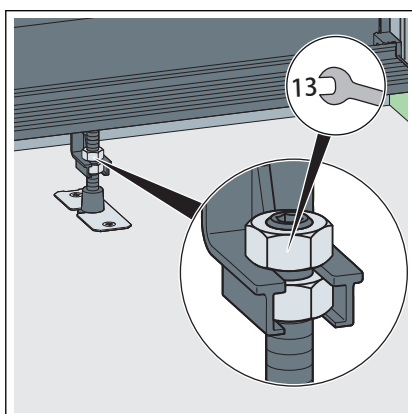
- Use the spacer (1) to adjust the shower channel to the wall situation.
- INFO! Do not drill through the spacer!**
- Insert and fasten the channel holder (2).



- Check whether the channel holder sits properly in the groove of the shower channel.

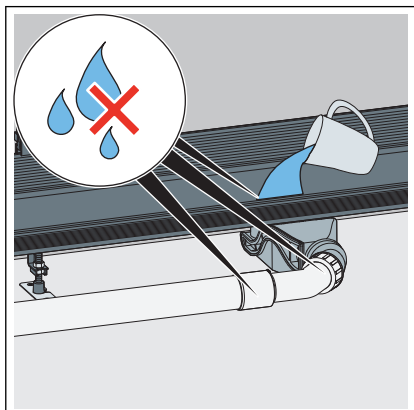


- Secure the feet in place with fixing material if necessary.

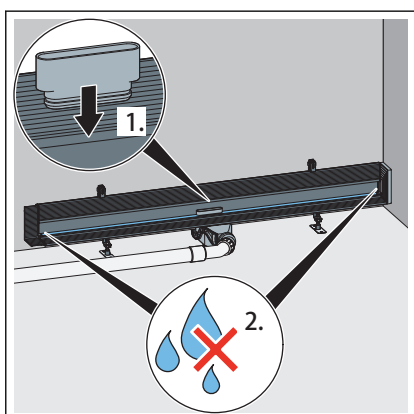


- Fix the foot height adjustment with lock nuts.

Checking for leak tightness



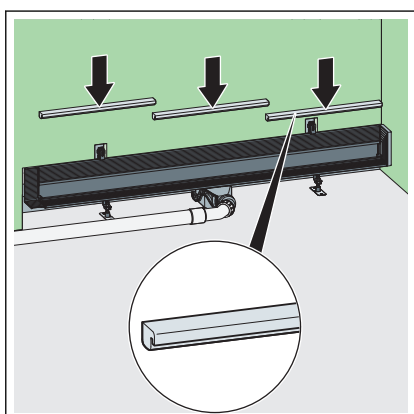
- Fill the shower channel with water.
- Check the drain casing and the pipe for leaks.



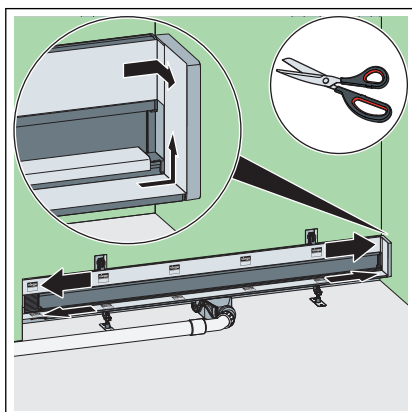
- Insert the test adapter into the drain hole of the shower channel.
- Fill the shower channel up to just below the flange with water.
- Check the closing caps for leak tightness.

- Next, remove the test adapter from the drain hole.

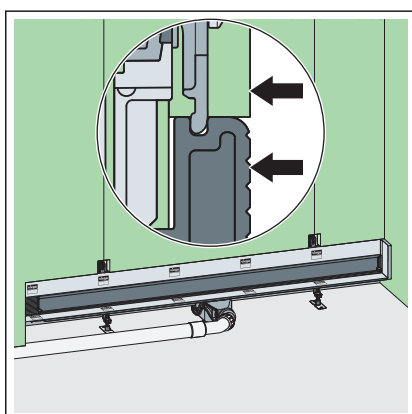
Preparing for further work



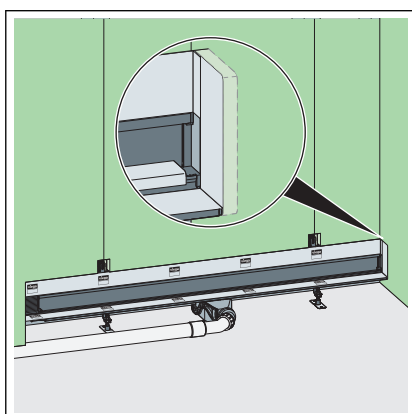
- Insert the site protection.



- If necessary, shorten the protective foil and stick onto the flange. Completely cover the closing caps with protective foil.



- Cut the second layer of gypsum plaster board to length.
- Cover the light-weight wall with cladding up to the upper edge of the shower channel. The gypsum plaster board must be flush with the shower channel. Leave a space for the fastening holders free.



- Embed the shower channel into the gypsum plaster board wall. The following applies: front edge flange = front edge of wall to be sealed



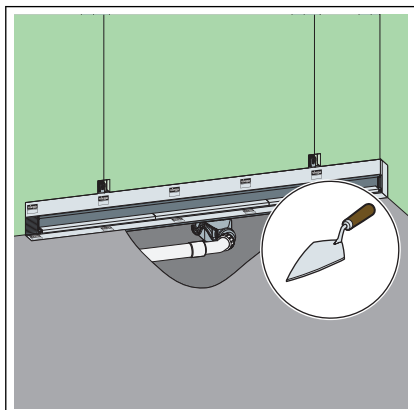
NOTICE!
Product damage due to improper installation

If hollow spaces occur during the lining of the shower channel, leaks may occur when pressure is applied.

Inform the subsequent workers that the shower channel must be fully lined and that there must be no hollow spaces.



Screed and floor tiles must be laid at an incline of 1–2 % in the direction of the shower channel.

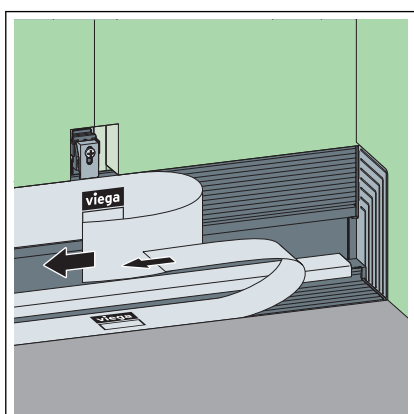


- Line the shower channel up to the upper edge of the flange with screed.

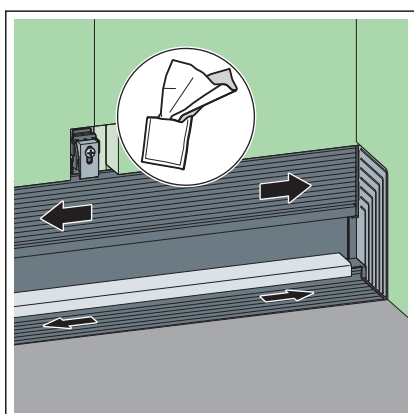
3.2.7 Sealing the shower channel



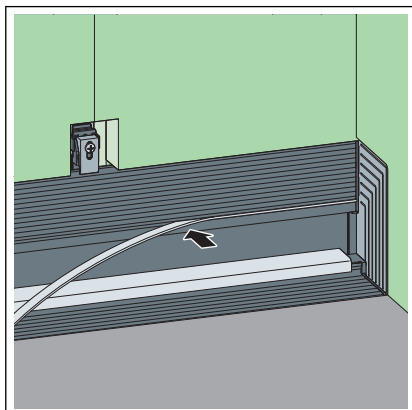
Only use the sealing material included in the scope of delivery. So that a professional bonding into the bonded sealing is guaranteed.



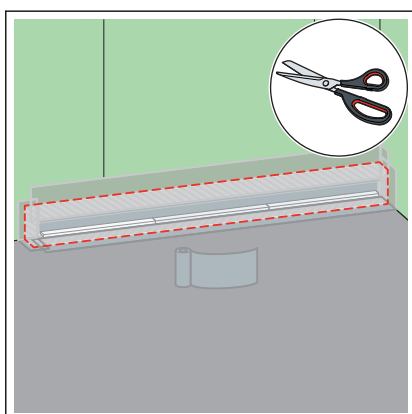
- Remove the protective foil.



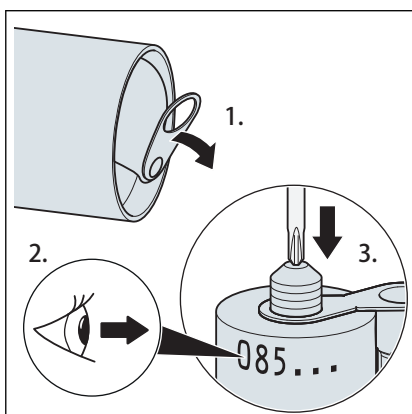
- If necessary, clean flange.
Use the cleaning cloth supplied or a non-greasing cleaner, e.g. iso-propanol.



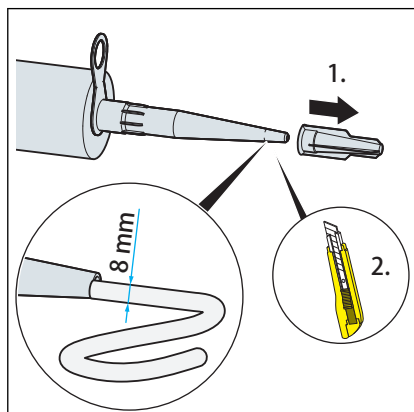
- Insert the seal in the groove.



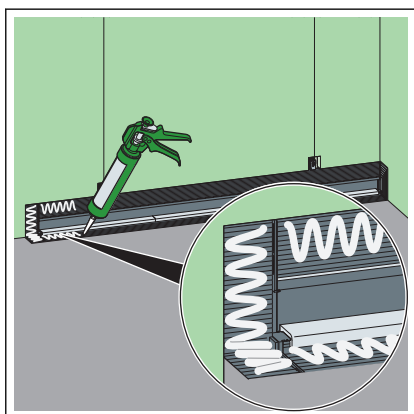
- Cut the sealing tape strips generously.
The sealing tapes should overlap at least 50 mm when stuck on.
The sealing tape strips should fully enclose the shower channel.



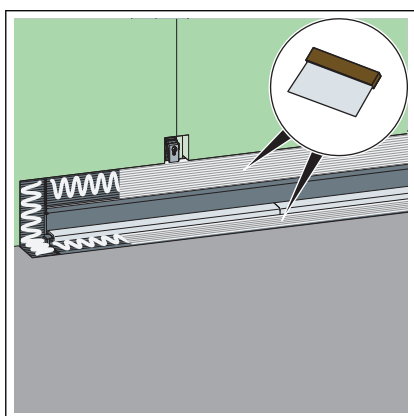
- Check the expiry date on the cartridge, see .
- Open the aluminium cover at the end of the cartridge, and lift.
- Fully pierce the membrane in the thread of the cartridge.



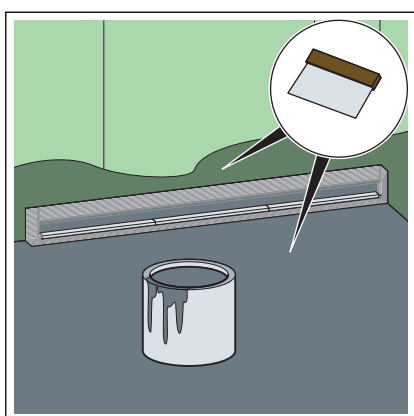
- Screw the nozzle on.
- Cut the nozzle so that the opening is approx. 8 mm wide.



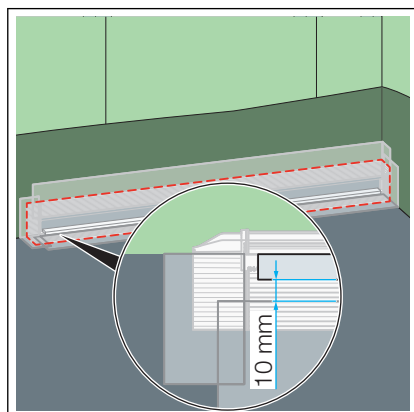
- Apply mounting adhesive in curves.
- Observe the shelf life of the mounting adhesive, see ↗ „Mounting adhesive“ on page 21.



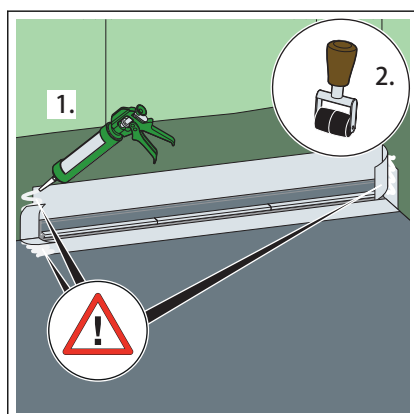
- Distribute the mounting adhesive evenly using a smooth spatula.
- Apply the adhesive up to the seal and the protective insert.



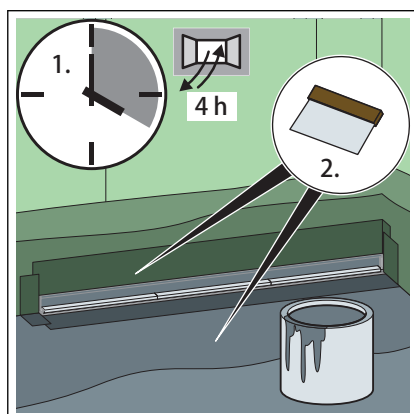
- Apply the first layer of bonded sealing generously onto the screed and the wall.
- Observe the bonded sealing manufacturer's instructions for use.



- Place the sealing tape strips on the flange in such a way that flange and screed are evenly covered.
Overlap the corners in the process.
- Press the sealing tape strips firmly onto the mounting adhesive and bonded sealing.
In doing so, leave approx. 10 mm to the protective insert uncovered.



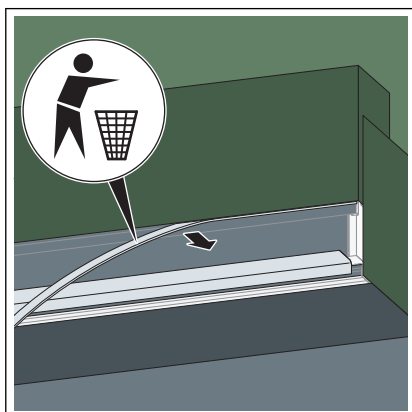
- Stick the overlapping strips together at the corners with mounting adhesive.
- Thoroughly press the adhesive joints together with a roller.



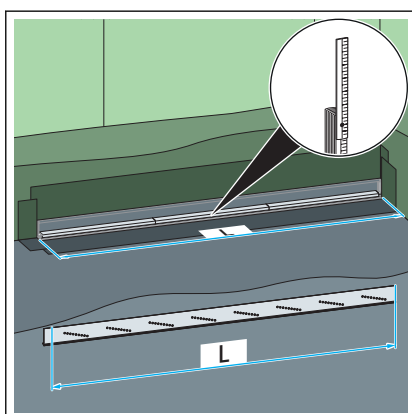
- Let the adhesive dry for approx. 4 hours.
- Apply the second layer of bonded sealing generously onto the sealing tape strips and the screed.

3.2.8 Applying the wall and floor covering

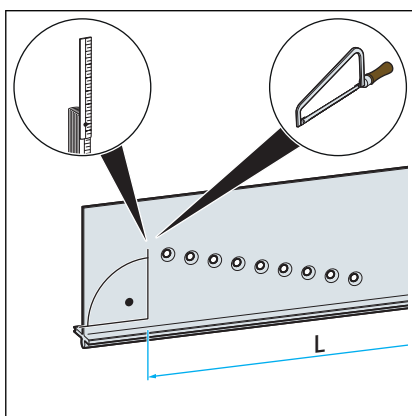
Mounting the end strip



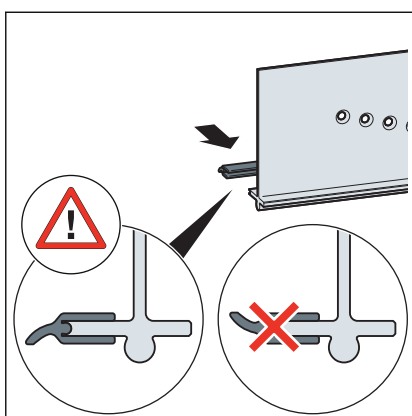
- Remove the protective seal.



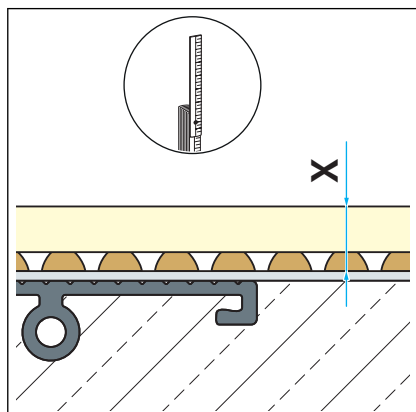
- Determine the length of the end strip.
Length of the end strip = length of the drain channel



- Cut the end strip to length at a right angle.



- Cut the seal to length.
INFO! Make sure the seal is in its proper installation position!
- Mount the seal to the rear of the end strip.



► Determine the height of the floor covering.

► Determine the installation height of the end strip.
Also see the illustration in the following.

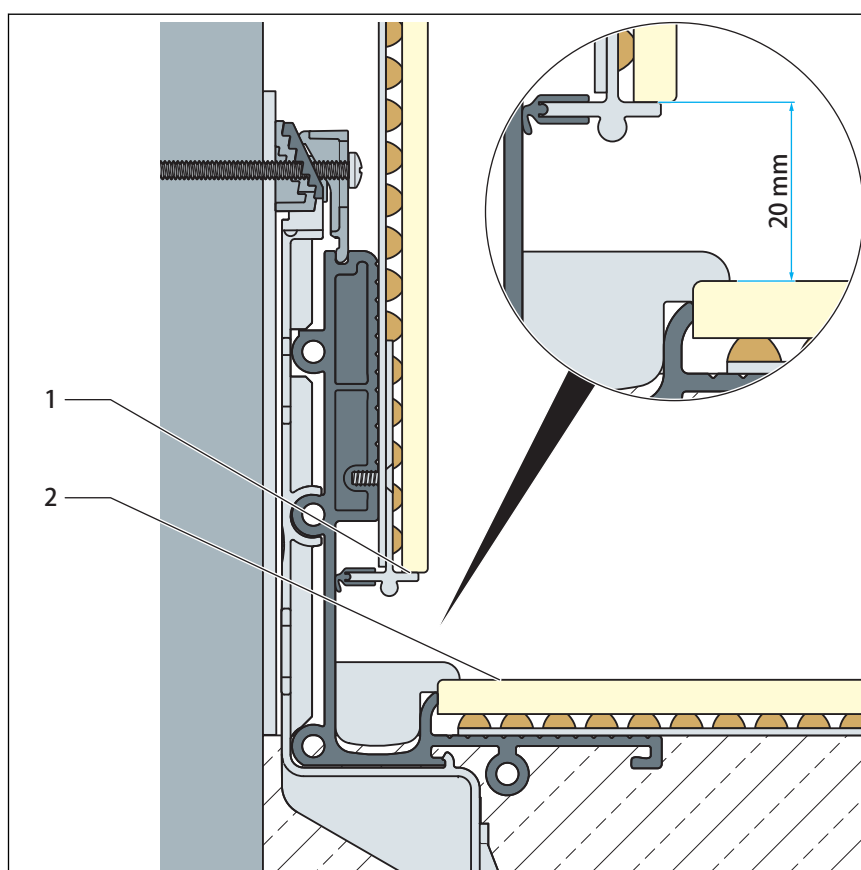


Fig. 21: Installed end strip, wall and floor tiles laid

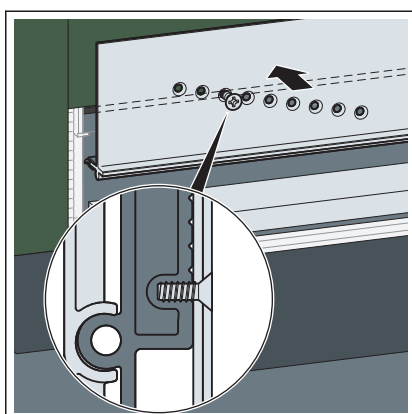
- 1 Upper edge of the end strip
- 2 Upper edge of the tile surface



The upper edge of the end strip must be 20 mm higher than the upper edge of the tile surface.

because a gap of exactly 20 mm will be needed later on for mounting the standing grate.

If not available, you will not be able to accurately insert the standing grate.



- Place the end strip at the measured height.
 - Fix the end strip with screws.
- Turn the screws into the groove provided.

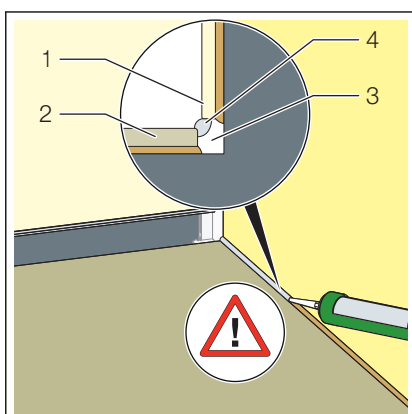
Sealing the corner areas



NOTICE!

Risk of damage due to flow-back of dirty water!

Carefully seal the gap between floor covering and wall.

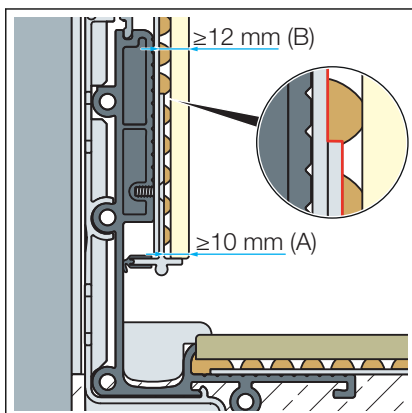


- 1 Wall tile
- 2 Floor tile
- 3 Corner area
- 4 Silicone joint

Insufficient filling of the gap between floor covering and wall may result in formation of a hollow in the corner area of wall and floor tile (pos. 3). This hollow (gap) cannot be sufficiently sealed by means of a silicone joint. Dirty water which flows back may enter the gap and cause moisture damage.

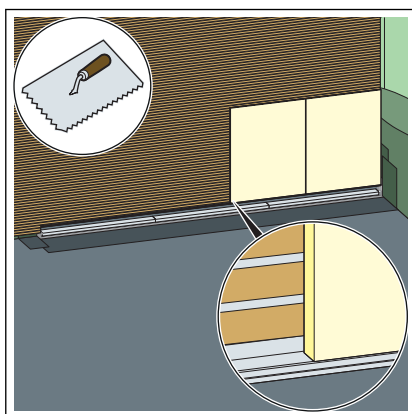
- Use suitable filling material to close the gap in the corner area.

Laying the wall tiles



Height of flooring (tile adhesive + tiles)

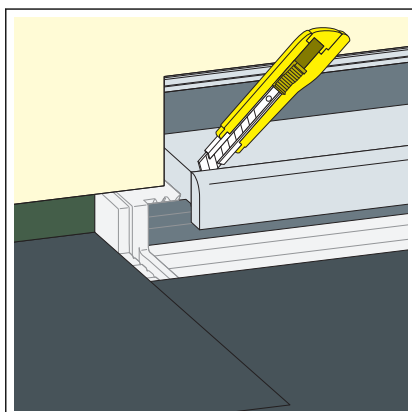
- at least 10 mm at measuring point A
- at least 12 mm at measuring point B
- Apply the tile adhesive 2 mm thicker.
- maximum 28 mm



➤ Apply the tile adhesive.

➤ Lay the wall tiles.

Make sure that the tiles overlie the end strip.



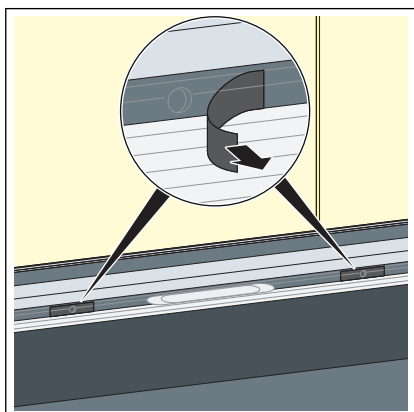
➤ Remove the front edge of the protective insert.

Laying the floor tiles

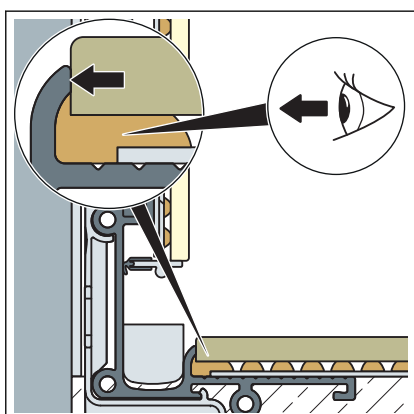


Height of flooring (tile adhesive + tiles)

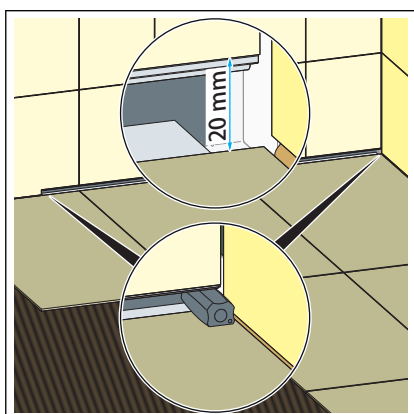
- at least 8 mm
- maximum 28 mm



- Remove the adhesive on the shower channel.
- ⇒ Any moisture below the tiles can run off.

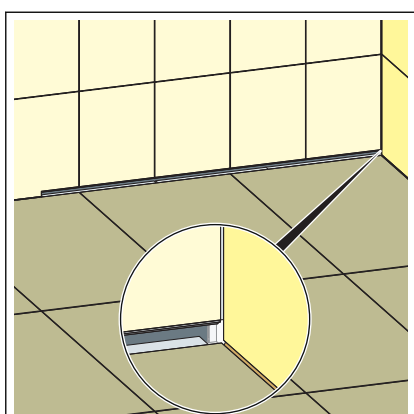


- Lay the floor tiles to the upstand of the shower channel.
- Use suitable filling material such as tile adhesive or joint filler to close the gap.



INFO! The gap for the standing grate must be exactly 20 mm. Use the tile protection tool and control tool to define the gap size.

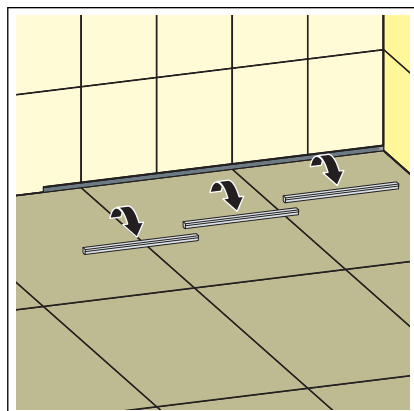
- Lay the floor tiles.



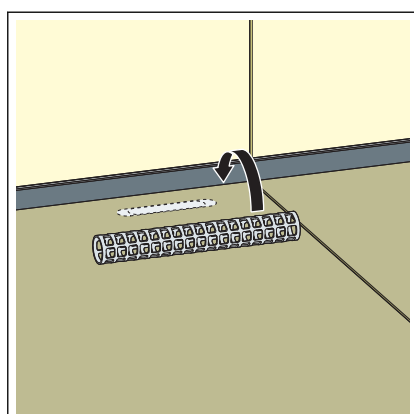
- Use the mounting adhesive supplied to close the gap in the corner area.

3.2.9 Inserting the sieve

Optionally, a sieve can be inserted. When using the sieve, the drainage capacity drops by 0.05 l/s per drain.



➤ Remove the protective insert.

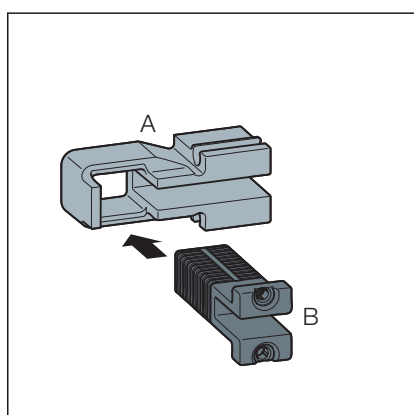


➤ Insert the sieve above the drain in the channel gap.

To finish with, a standing grate must be mounted.

3.2.10 Mounting the standing grate

Notes on standing grate holders and standing grate supports



Standing grate holder

The standing grate holders consist of two parts.

Part one (A) is pushed into the end strip and can be moved on the strip. Part two (B) is pushed into part A. This part can be cut to length to produce the correct distance to the wall.

One pair of standing grate holders is mounted at each of the outer edges.

Fig. 22: standing grate holder pair

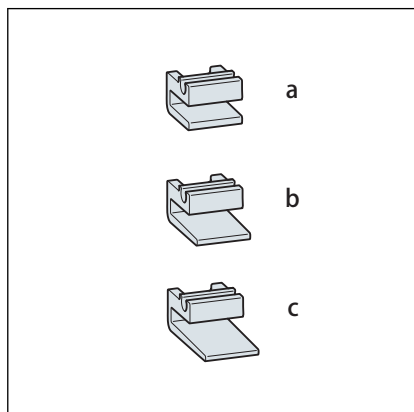


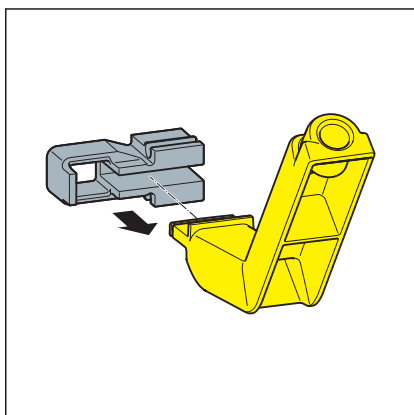
Fig. 23: Three sizes of grate supports

Standing grate supports

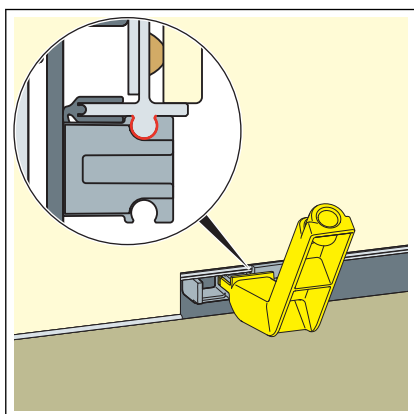
The standing grate supports support the standing grate over the length of the end strip.

The standing grate supports are available in three widths, matching the different thicknesses of the wall covering (tile adhesive + tiles).

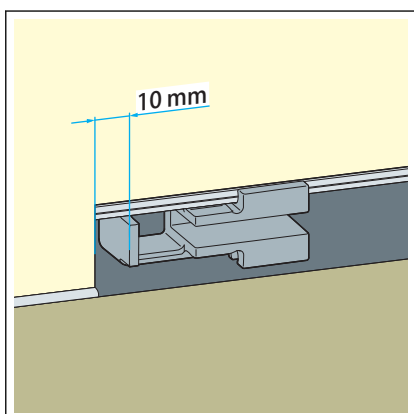
Assembly steps



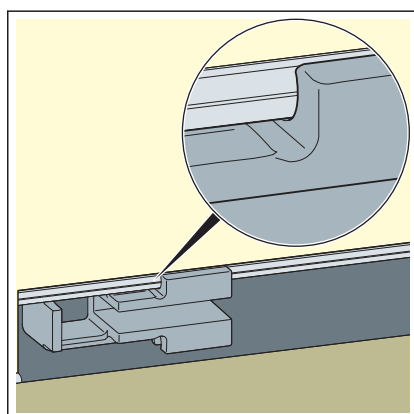
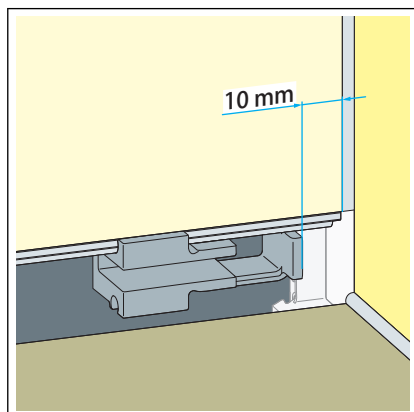
- Push the standing grate holder (part A) on the mounting tool.



- Mount the standing grate holder to the end strip.



- Push the standing grate holders at both sides of the shower channel to a position at 10 mm distance from the tile covering.



- Check that the standing grate holder is properly positioned.

Now, first determine the dimension of part B of the standing grate holder.

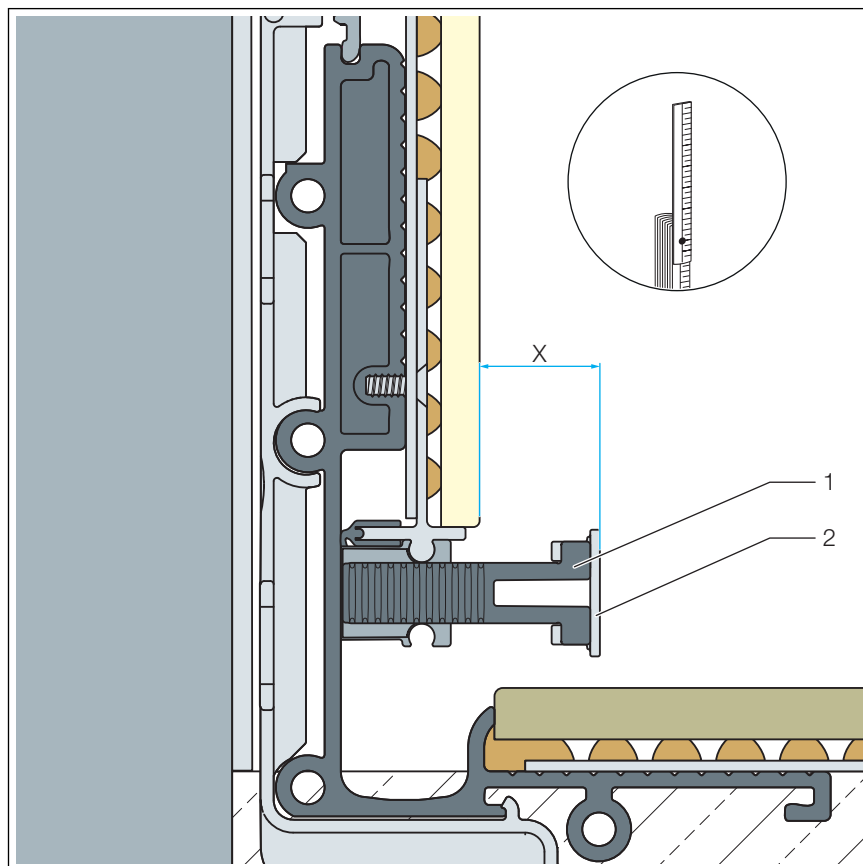
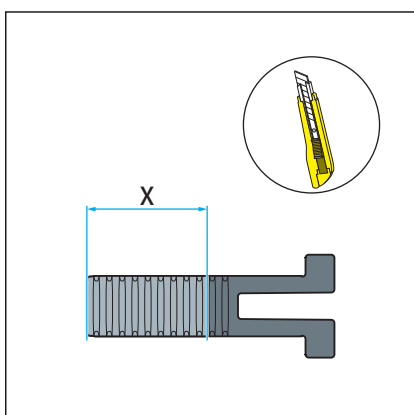


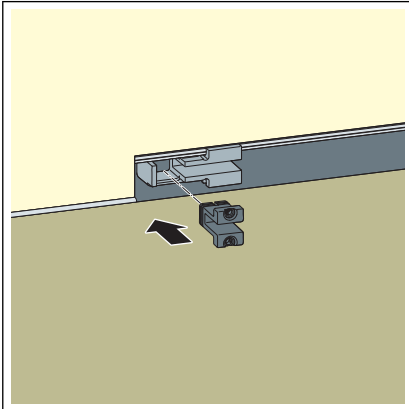
Fig. 24: Determine the dimension of the standing grate holder

- 1 Standing grate holder part B
- 2 cover plate
- x dimension required

Measure the required dimension x from the outer edge of the wall covering up to the outer edge of the cover plate.


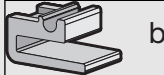
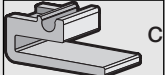
- Cut the determined dimension x off part B of the standing grate holder.

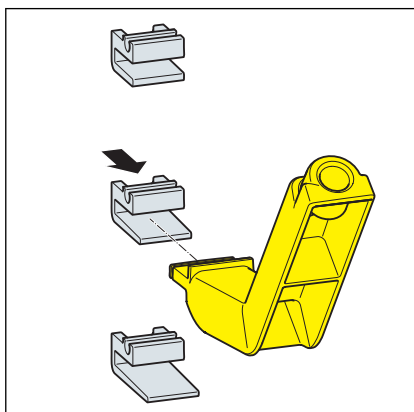




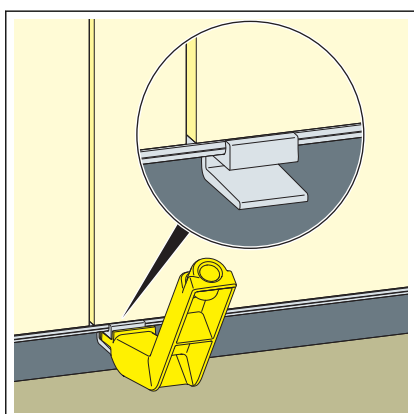
- Push part B of the standing grate holder into part A of the standing grate holder

- Determine the required size of the standing grate supports.

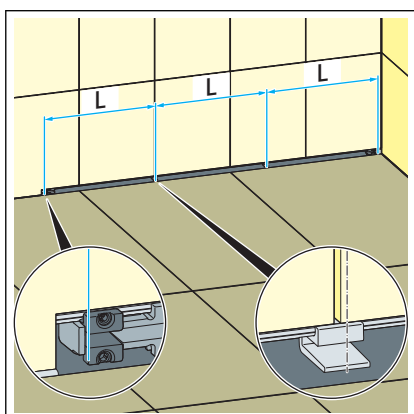
| Layer height (tiles + tile adhesive) in mm | required standing grade support a | required standing grade support b | required standing grade sup- port c |
|---|---|--|---|
| 10 |  a | | |
| 13 | | | |
| 14 | | | |
| 15 | | |  b |
| 16 | | | |
| 17 | | | |
| 18 | | | |
| 19 | | | |
| 20 | | | |
| 21 | | | |
| 22 | | | |
| 23 | | |  c |
| 24 | | | |
| 25 | | | |
| 26 | | | |
| 27 | | | |
| 28 | | | |



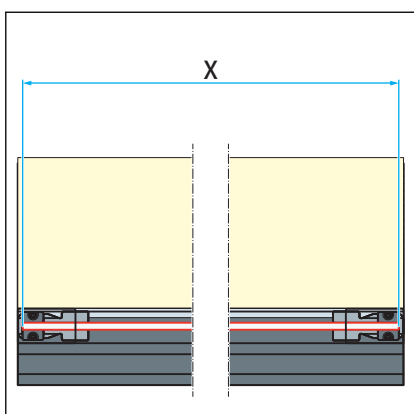
- Push the standing grate support on the mounting tool.



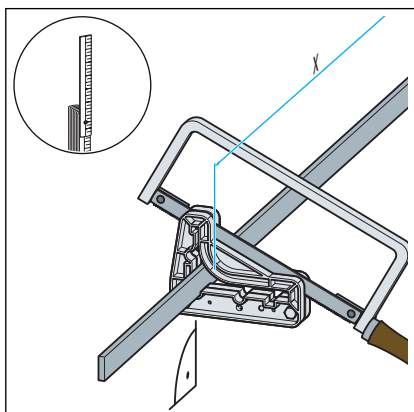
- Mount the standing grate supports to the end strip.
- Check that the standing grate holders are properly positioned.



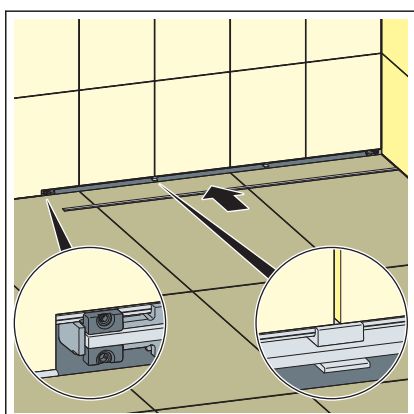
- Secure the standing grate supports to the end strip.
Distribute the standing grate supports in such a way that there is a standing grate support fitted after every one third of the end strip.



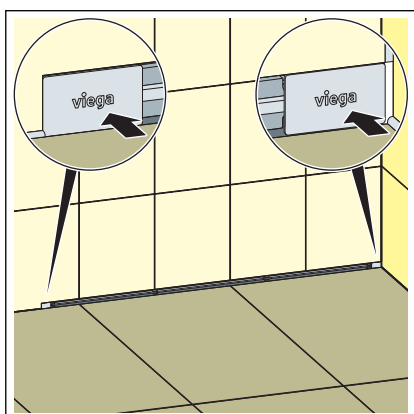
- Determine the length of the standing grate.



- If required, shorten the standing grate with a handsaw and deburr. Do not use a circular saw or angle grinder.



- Insert the standing grate.



- Press the cover caps on.

3.3 Care

3.3.1 Care tips

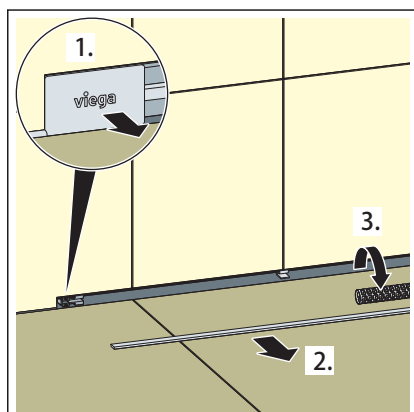
Normal soap or a mild cleaning agent can be used for regular maintenance and prevention of lime scale on the grate and frame. Use no scouring agent or abrasive objects.

Strong stains, even around the drain unit and the siphon, can be removed using typical household cleaner. Rinse the detergent very thoroughly with clear water after the prescribed dwell time. There should be no residue on the components.

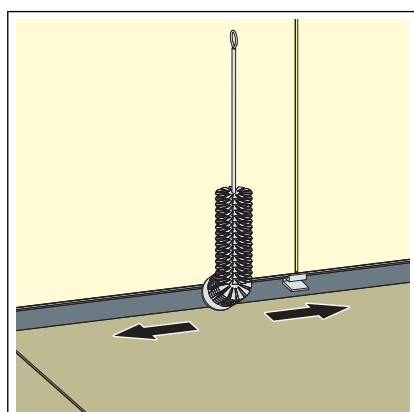
3.3.2 Cleaning

Viega recommends using a mild cleaning agent, a cloth and a washing-up brush for cleaning.

Clean base unit

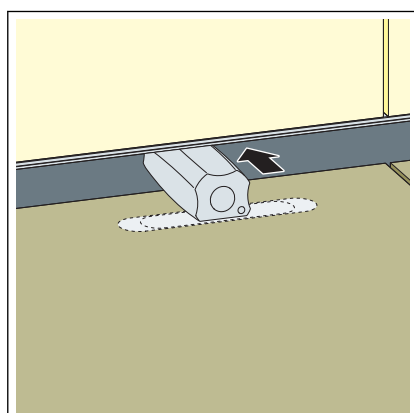


- Remove cover caps, sieve and standing grate.



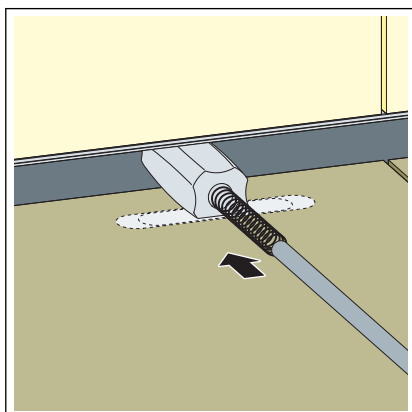
- Clean the base unit using the brush comprised in the delivery.

Clean the odour trap



NOTICE! Risk of damage during cleaning! To protect the shower channel and the tiles, use the tile protection and checking tool comprised in the delivery.

- Insert the tile protection and checking tool in the area of the drain.



- Insert a suitable cleaning tool.
- Clean the odour trap.

- Replace the sieve and standing grate.
- Replace cover caps.

3.4 Disposal

Separate the product and packaging materials (e. g. paper, metal, plastic or non-ferrous metals) and dispose of in accordance with valid national legal requirements.