

## Instructions for Use

Gas pressure spring  $\leq 28$  kg



Only in connection with Prevista Dry WC element 8521.32,  
for ceramic  $\leq 28$  kg

**Model**  
8570.51

**Year built (from)**  
03/2019

# Table of contents

<b>1</b>	<b>About these instructions for use</b>	<b>3</b>
1.1	Target groups	3
1.2	Labelling of notes	3
1.3	About this translated version	4
<b>2</b>	<b>Product information</b>	<b>5</b>
2.1	Intended use	5
2.1.1	Areas of use	5
<b>3</b>	<b>Handling</b>	<b>6</b>
3.1	Assembly	6
3.1.1	Replace gas pressure spring	6
3.1.2	Preparing gas pressure spring for disposal	7
3.2	Disposal	8

# 1 About these instructions for use

Trade mark rights exist for this document; for further information, go to [viega.com/legal](http://viega.com/legal).

## 1.1 Target groups

The information in this instruction manual is directed at the following groups of people:

- Heating and sanitary professionals and trained personnel

Individuals without the abovementioned training or qualification are not permitted to mount, install and, if required, maintain this product. This restriction does not extend to possible operating instructions.

The installation of Viega products must take place in accordance with the general rules of engineering and the Viega instructions for use.

## 1.2 Labelling of notes

Warning and advisory texts are set aside from the remainder of the text and are labelled with the relevant pictographs.



### **DANGER!**

This symbol warns of possible life-threatening injury.



### **WARNING!**

This symbol warns of possible serious injury.



### **CAUTION!**

This symbol warns of possible injury.



### **NOTICE!**

This symbol warns of possible damage to property.



This symbol gives additional information and hints.

### 1.3 About this translated version

This instruction for use contains important information about the choice of product or system, assembly and commissioning as well as intended use and, if required, maintenance measures. The information about the products, their properties and application technology are based on the current standards in Europe (e.g. EN) and/or in Germany (e.g. DIN/DVGW).

Some passages in the text may refer to technical codes in Europe/Germany. These should serve as recommendations in the absence of corresponding national regulations. The relevant national laws, standards, regulations, directives and other technical provisions take priority over the German/European directives specified in this manual: The information herein is not binding for other countries and regions; as said above, they should be understood as a recommendation.

## 2 Product information

### 2.1 Intended use

#### 2.1.1 Areas of use

The gas pressure spring is exclusively suitable for the height-adjustable Prevista Dry WC element (model 8521.32). The gas pressure spring is used to lift and lower WC ceramic up to 28 kg.

## 3 Handling

### 3.1 Assembly

#### 3.1.1 Replace gas pressure spring

The model replaces the built-in gas pressure spring in the case of a defect.



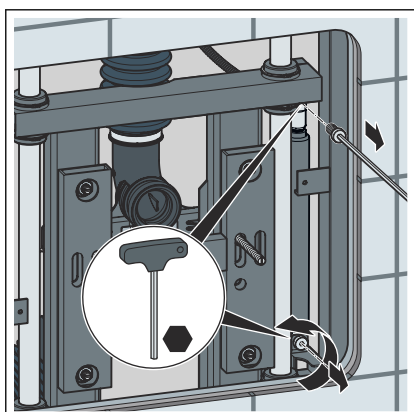
#### **NOTICE!** **Damage to the cover plate!**

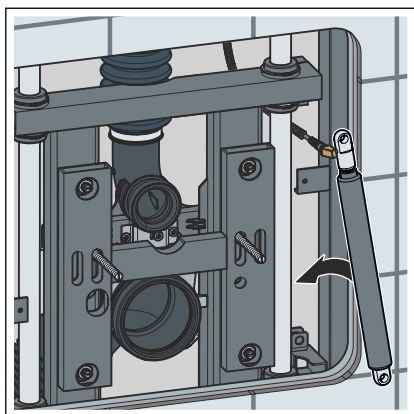
If the upper edge of the finished floor is higher than planned, there is a risk that the cover plate will touch. To avoid touching, limit the lowering of the WC (possible up to a max. of 20 mm):

- Place a maximum of five 4 mm spacer washers under the piston rod of the gas pressure spring.

Requirements:

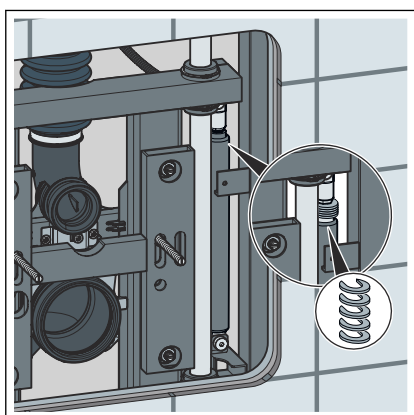
- The WC ceramic is at the lowest position.
- Following components are removed:
  - WC ceramic
  - Cover plate
  - Actuating button / Hydraulic actuation
  - cover frame
- Remove the gas pressure spring by unscrewing the top and bottom 5 mm Allen screw.





- Insert the new gas pressure spring.

**NOTICE!** If necessary, place a maximum of five 4 mm spacer washers under the piston rod of the gas pressure spring.



- Place the relevant number of spacer washers below the piston rod of the gas pressure spring.
- Fasten the new gas pressure spring with the Allen screws.

Re-mount following components:

- cover frame
- Actuating button / Hydraulic actuation
- Cover plate
- WC ceramic

### 3.1.2 Preparing gas pressure spring for disposal



#### **WARNING!** **High pressure**

The gas in the gas pressure is highly pressurised. During drilling, there is a risk of injury due to flying metal fragments and oil.

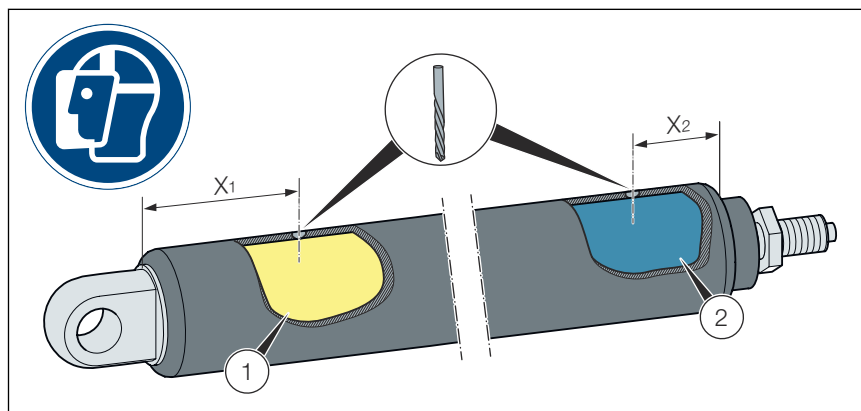
- Wear eye and face protection and protective clothing.
- Ensure that there are no persons in the danger zone in front of and behind the piston rod.
- Do not cut off the ends.
- Cover the borehole.
- Under no circumstances use a lathe.

Please contact your Viega Service Center if you have any questions.

## Draining gas and oil

The gas pressure spring must be disposed off unpressurised and without oil; to this end, drill two holes in the container at two points.

- Open up the gas pressure spring.



- 1 Oil
- 2 Gas

The drilling points X1 and X2 vary depending on the diameter of piston rod and cylinder.

Diameter (mm) piston rod / cylinder	X1 (mm)	X2 (mm)
8/19; 8/22; 10/22	30	20
8/28; 10/28; 14/28	35	40
10/40; 14/40	55	40

**WARNING!** The gas in the gas pressure spring is highly pressurised. During drilling, there is a risk of injury due to flying metal fragments and oil.

- Using a 2–3 mm drill, drill slowly at point X2 until gas escapes.
- Using a 2–3 mm drill, drill slowly at point X1 until pressure drops and oil becomes accessible.
- Pour out the oil into a suitable container.
  - ☐ Now, the piston rod can be easily moved by hand. If not, repeat the procedure.
- Saw through the metal cylinder, if necessary.
- Dispose of the individual components.

## 3.2 Disposal

Separate the product and packaging materials (e. g. paper, metal, plastic or non-ferrous metals) and dispose of in accordance with valid national legal requirements.





**Viega GmbH & Co. KG**  
service-technik@viega.de  
viega.com

INT • 2022-08 • VPN190110

