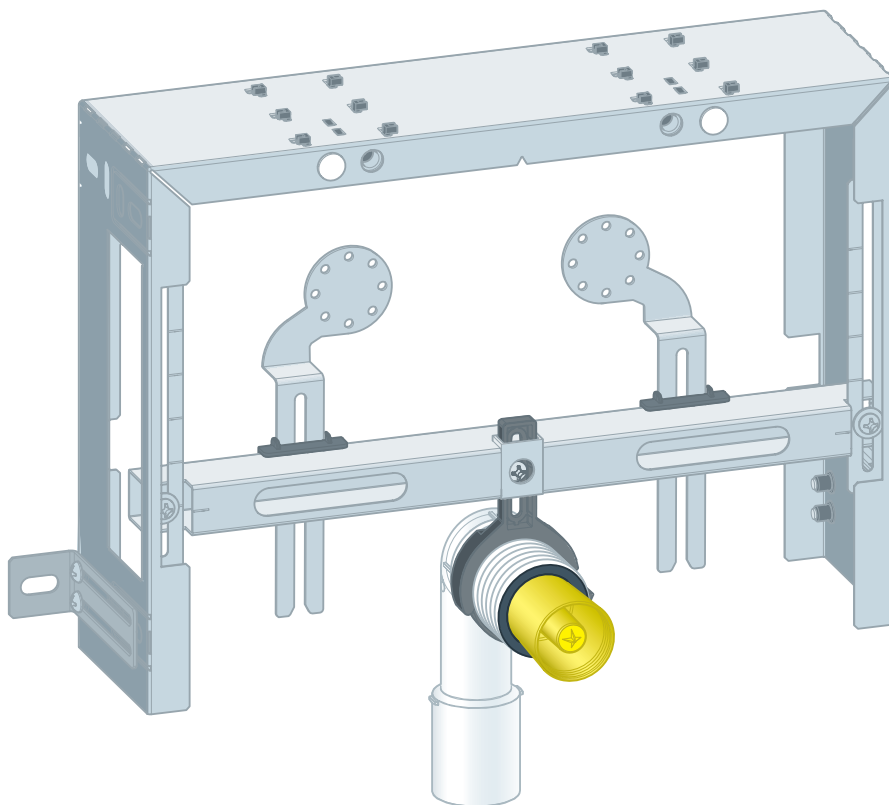


Instructions for Use

Prevista Pure bidet block



for wall-hung bidet, bricked in and surrounded

Model
8569

Year built (from)
09/2018

Table of contents

1	About these instructions for use	3
	1.1 Target groups	3
	1.2 Labelling of notes	3
	1.3 About this translated version	4
2	Product information	5
	2.1 Standards and regulations	5
	2.2 Intended use	5
	2.2.1 Areas of application	5
	2.3 Product description	5
	2.3.1 Overview	5
	2.3.2 Compatible components	6
3	Handling	7
	3.1 Assembly information	7
	3.1.1 Mounting conditions	7
	3.1.2 Installation dimensions	8
	3.2 Assembly	9
	3.2.1 Mounting the bidet block	9
	3.2.2 Mounting the drain elbow	12
	3.2.3 Setting up and cladding the bidet block	13
	3.3 Disposal	15

1 About these instructions for use

Trade mark rights exist for this document; for further information, go to viega.com/legal.

1.1 Target groups

The information in this instruction manual is directed at the following groups of people:

- Heating and plumbing experts and trained personnel
- Drywall builders

Individuals without the abovementioned training or qualification are not permitted to mount, install and, if required, maintain this product. This restriction does not extend to possible operating instructions.

The installation of Viega products must take place in accordance with the general rules of engineering and the Viega instructions for use.

1.2 Labelling of notes

Warning and advisory texts are set aside from the remainder of the text and are labelled with the relevant pictographs.



DANGER!

This symbol warns of possible life-threatening injury.



WARNING!

This symbol warns of possible serious injury.



CAUTION!

This symbol warns of possible injury.



NOTICE!

This symbol warns of possible damage to property.



This symbol gives additional information and hints.

1.3 About this translated version

This instruction for use contains important information about the choice of product or system, assembly and commissioning as well as intended use and, if required, maintenance measures. The information about the products, their properties and application technology are based on the current standards in Europe (e.g. EN) and/or in Germany (e.g. DIN/DVGW).

Some passages in the text may refer to technical codes in Europe/Germany. These should serve as recommendations in the absence of corresponding national regulations. The relevant national laws, standards, regulations, directives and other technical provisions take priority over the German/European directives specified in this manual: The information herein is not binding for other countries and regions; as said above, they should be understood as a recommendation.

2 Product information

2.1 Standards and regulations

The following standards and regulations apply to Germany / Europe and are provided as a support feature.

Regulations from section: Fields of application / Mounting conditions

Scope / Notice	Regulations applicable in Germany
Suitable masonry walls	EN 1996-1-1
Suitable concrete walls	DIN 1045

2.2 Intended use

2.2.1 Areas of application

The Prevista Pure bidet block is suitable for mounting on masonry wall constructions pursuant to the regulations in section ↗ *Chapter 2.1 'Standards and regulations' on page 5.*

2.3 Product description

2.3.1 Overview

The bidet block is equipped as follows:

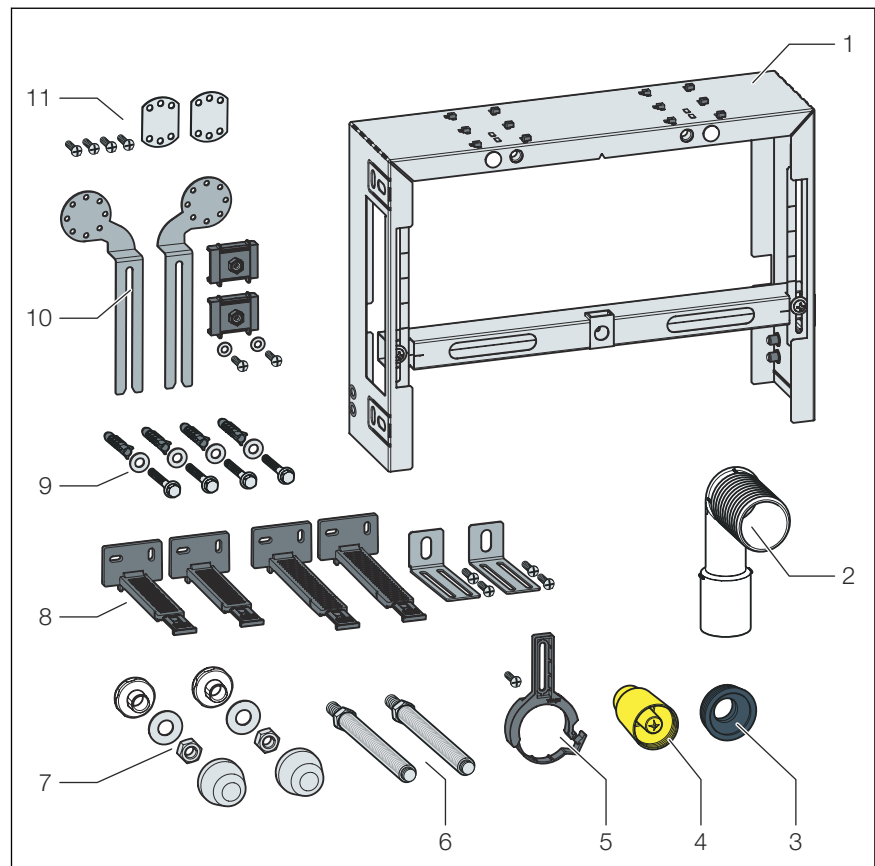


Fig. 1: Components

- 1 Bidet pre-wall block
- 2 Drain elbow
- 3 Flushing pipe connector
- 4 Protective plug
- 5 Holder for drain elbow
- 6 Threaded rods for fixing sanitary objects
- 7 Fixing material for bidet ceramic
- 8 Plastic holder and metal bracket
- 9 Fixing material: dowels and screws
- 10 Mounting bracket for wall plates
- 11 Assembly accessories wall plates

2.3.2 Compatible components

The Prevista Pure bidet block is compatible with common WC ceramic types. Fixing material for the bidet block and the ceramic is comprised in the scope of delivery.


3 Handling

3.1 Assembly information

3.1.1 Mounting conditions

Suitable walls

- Masonry walls
- Concreted walls
- Steel stud frame

The wall constructions must comply with the regulations in section  *'Regulations from section: Fields of application / Mounting conditions'* on page 5.

The bidet block may only be mounted on even wall surfaces.

Bidet ceramic

The bidet block can only be used in combination with wall-hung bidets (fixing gauges for bore hole 180 mm or 230 mm).

3.1.2 Installation dimensions

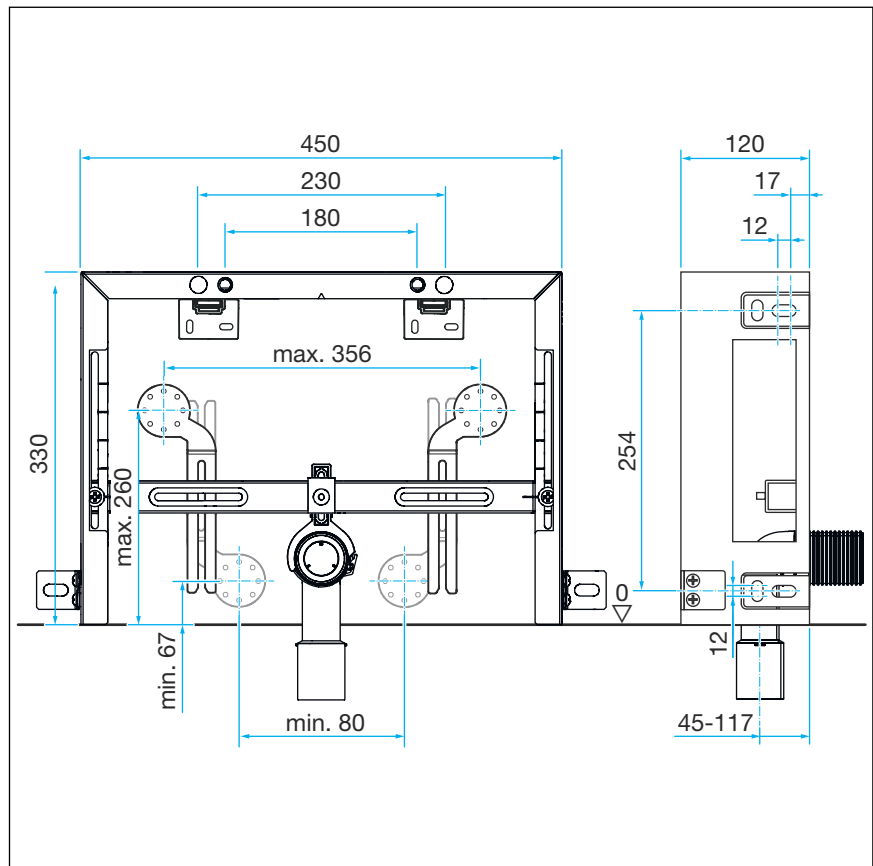
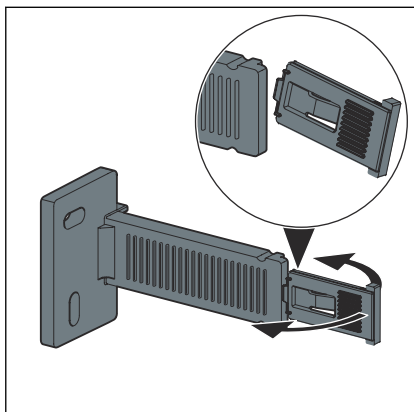


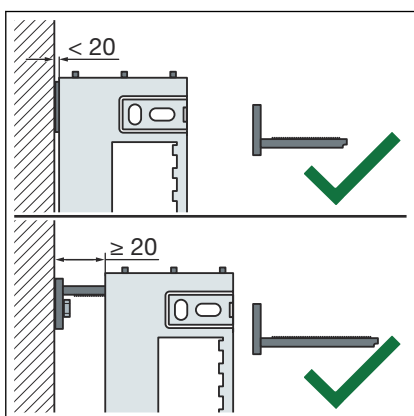
Fig. 2: Dimensional drawing

3.2 Assembly

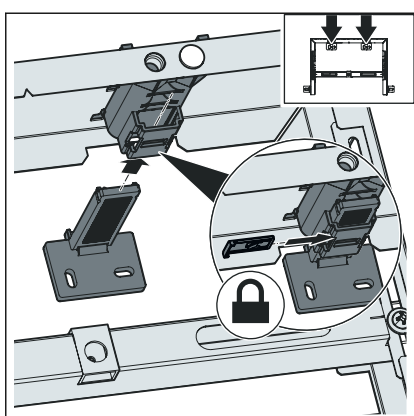
3.2.1 Mounting the bidet block



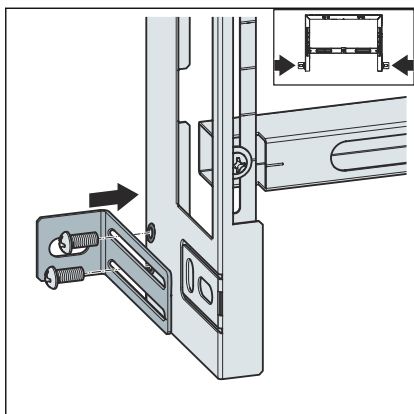
- Break the locking clips off the wall mountings.



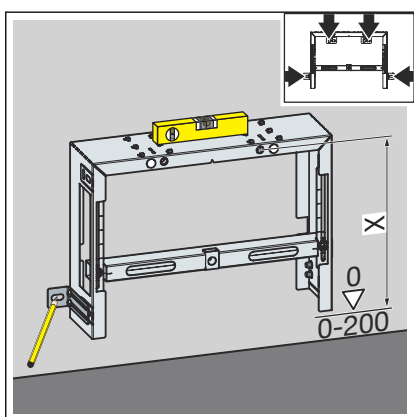
- Select the wall mountings so that they match the distance from the wall.



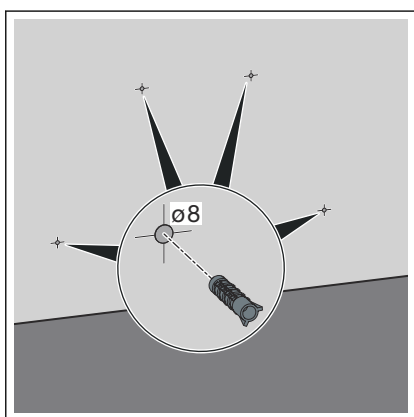
- Push the wall mountings into the element.
- Insert the locking clips.



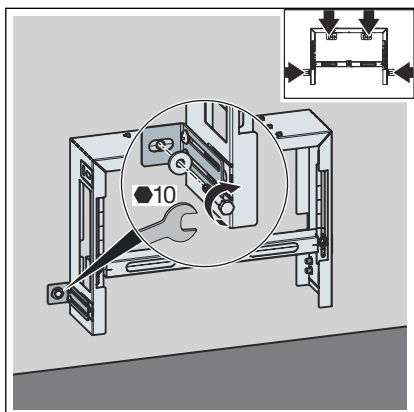
- Screw the metal angles to the bidet block.



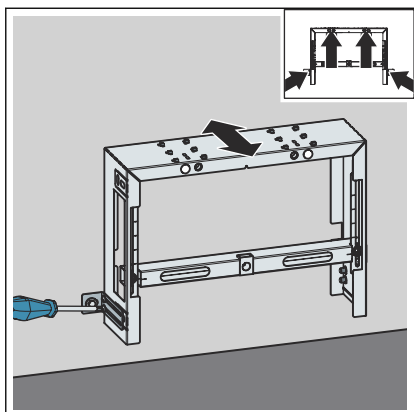
- Adjust the construction height of the bidet block in accordance with the on-site marking of the upper edge of the finished floor.
- Mark the fixing points.
 - X: 330 mm



- Drill the holes.
- Insert the dowels.

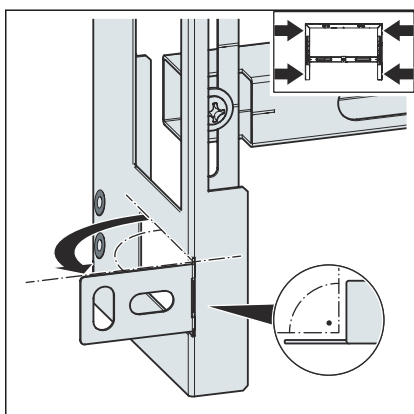


- Tighten the bidet block via the mounting brackets using a fork spanner (size 10).

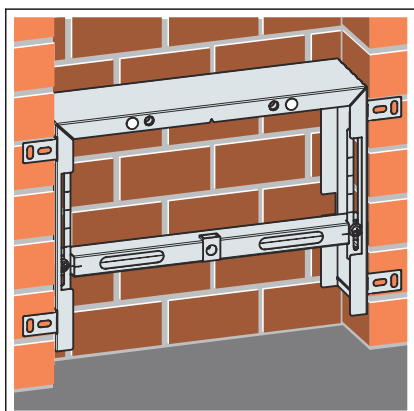


- Set the bidet block in the desired depth.
- ◻ You have attached the bidet block to the wall.

Mounting in a niche

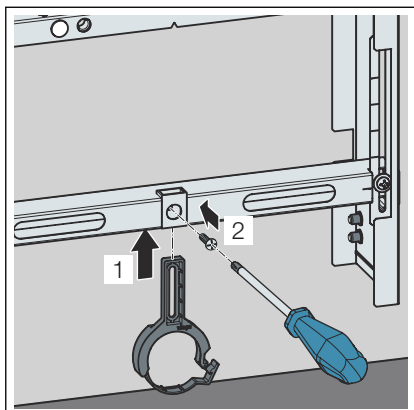


- Fold the tab forward.

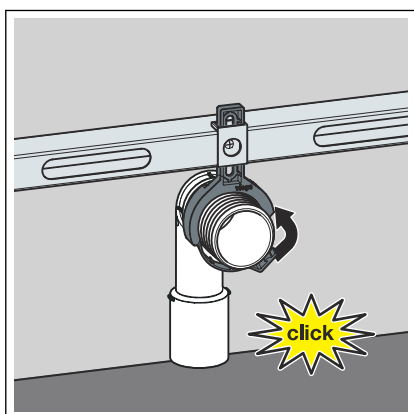


- Insert the bidet block in the niche.
- Align the bidet block and screw it down.

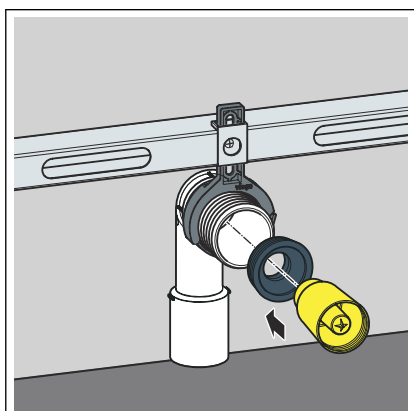
3.2.2 Mounting the drain elbow



- Insert the mounting bracket for the drain elbow.
- Set the height of the drain elbow mounting bracket.

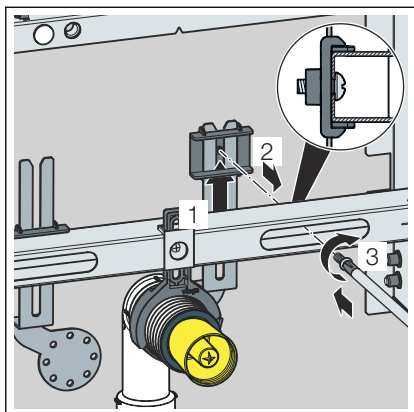


- Insert the drain elbow.
- Fasten the drain elbow using the bow.

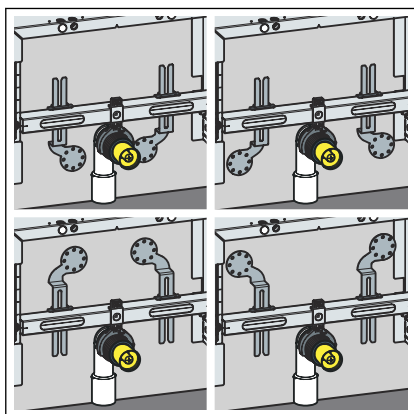


- Put the protective plug of the drain elbow on.

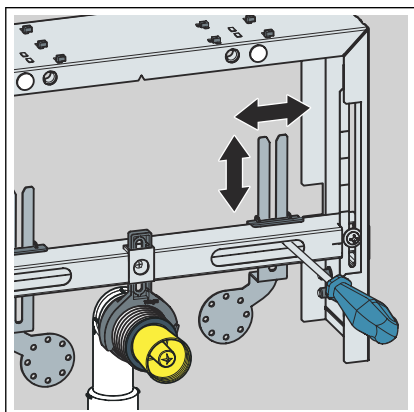
3.2.3 Setting up and cladding the bidet block



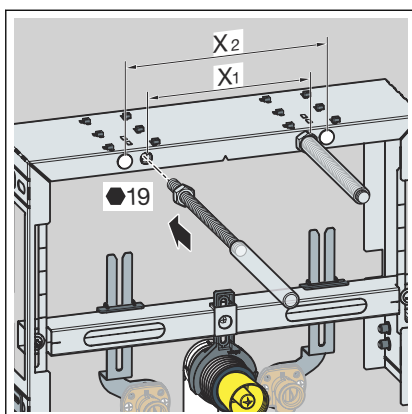
► Mount the mounting bracket for the wall plates.



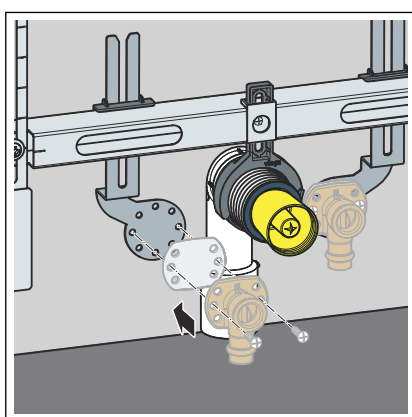
► Select the variant matching the respective sanitary item manufacturer.



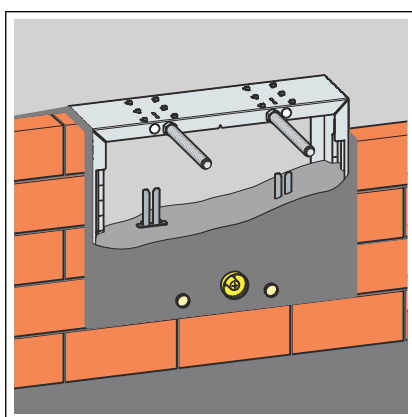
► Adjust the height and width of the mounting bracket.



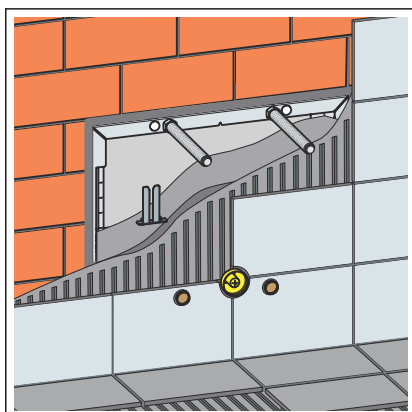
- Insert the threaded rods at the desired position.
 - X1: 180 mm
 - X2: 230 mm
- Turn in the threaded rods by hand.
- Tighten the nuts of the threaded rods with a fork spanner.
- Place the protective caps on the threaded rods.



- Mount the wall plates.
- Make the water connections.



- Brick the bidet block in.
- Fill in the free space.



- Tile the bidet block.

3.3 Disposal

Separate the product and packaging materials (e. g. paper, metal, plastic or non-ferrous metals) and dispose of in accordance with valid national legal requirements.



Viega GmbH & Co. KG
service-technik@viega.de
viega.com

INT • 2022-08 • VPN210830

