

Instructions for Use

24 V actuator



For Fonterra radiant heating and cooling

Model
1249.1

Year built (from)
01/2013

viega

Table of contents

1	About these instructions for use	3
	1.1 Target groups	3
	1.2 Labelling of notes	3
	1.3 About this translated version	4
2	Product information	5
	2.1 Intended use	5
	2.2 Product description	5
	2.2.1 Functions	5
	2.2.2 Overview and description of component	5
	2.2.3 Technical data	6
3	Handling	7
	3.1 Transport and storage	7
	3.2 Mounting the actuators	7
	3.3 Care tips	7
	3.4 Disposal	8

1 About these instructions for use

Trade mark rights exist for this document; for further information, go to viega.com/legal.

1.1 Target groups

The information in this instruction manual is directed at the following groups of people:

- Heating and sanitary professionals and trained personnel

Individuals without the abovementioned training or qualification are not permitted to mount, install and, if required, maintain this product. This restriction does not extend to possible operating instructions.

The installation of Viega products must take place in accordance with the general rules of engineering and the Viega instructions for use.

1.2 Labelling of notes

Warning and advisory texts are set aside from the remainder of the text and are labelled with the relevant pictographs.



DANGER!

This symbol warns of possible life-threatening injury.



WARNING!

This symbol warns of possible serious injury.



CAUTION!

This symbol warns of possible injury.



NOTICE!

This symbol warns of possible damage to property.



This symbol gives additional information and hints.

1.3 About this translated version

This instruction for use contains important information about the choice of product or system, assembly and commissioning as well as intended use and, if required, maintenance measures. The information about the products, their properties and application technology are based on the current standards in Europe (e. g. EN) and/or in Germany (e. g. DIN/DVGW).

Some passages in the text may refer to technical codes in Europe/Germany. These should serve as recommendations in the absence of corresponding national regulations. The relevant national laws, standards, regulations, directives and other technical provisions take priority over the German/European directives specified in this manual: The information herein is not binding for other countries and regions; as said above, they should be understood as a recommendation.

2 Product information

2.1 Intended use

The actuator is suitable for use in connection with the following basic units models:

- 1246
- 1247.1
- 1247.4

Since the combination with electronic components by other manufacturers has not been tested, proper function cannot be ensured in this case.

2.2 Product description

2.2.1 Functions

The actuator opens or closes the valve of the manifold, depending on which signal the room thermostat transmits to the basic unit.

The power-actuated valve regulates the flow volume in the heating circuit and is controlled and supplied with power by the basic unit via cable connection.

The actuator is suitable for heating and cooling mode.

2.2.2 Overview and description of component

Scope of delivery

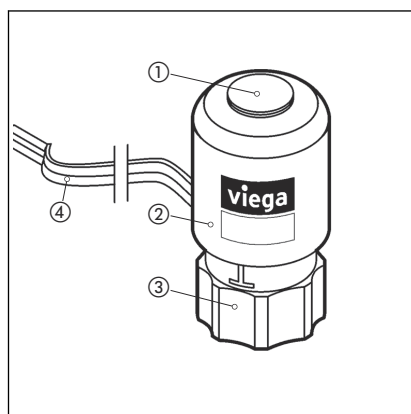


Fig. 1: Actuator

- 1 Display of valve setting
- 2 Actuator casing
- 3 connection screw fitting
- 4 Connection cable for basic unit L = 1000 mm

Installation dimensions

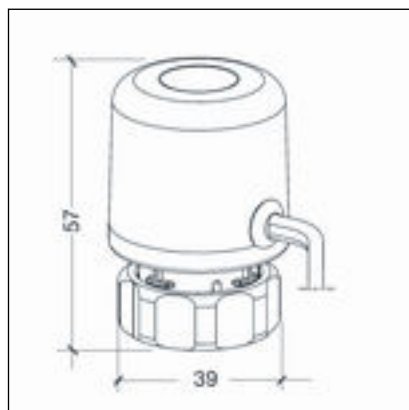


Fig. 2: Installation dimensions in mm

2.2.3 Technical data

Operating voltage	24 V AC/DC
Switch-on current	184 ma / 90 ms
Operating current	84 mA
Operation cable	2 W
Opening and closing time	approx. 5 min.
Displacement	> 3.2 mm
Pulling load	80 N
Media temperature	0–100 °C
Ambient temperature	-5–60 °C
Storage temperature range	-25–60 °C
Relative humidity – non-condensing	≤ 80 %
Dimensions H / W / D	57 mm / 39 mm / 39 mm
Weight incl. 1 m of cable	100 g
Connection cable	2 x 0.75 mm ² / 1 m
IP Code in all installation situations	IP54
Protection class	II
CE conformity	EN 60730
Version	Closed in de-energized state

3 Handling

3.1 Transport and storage

Observe the following with transport and storage:

- Avoid heavy blows and vibrations.
- Store the components in a clean and dry place.
- Do not remove the components from the packaging until immediately before use.

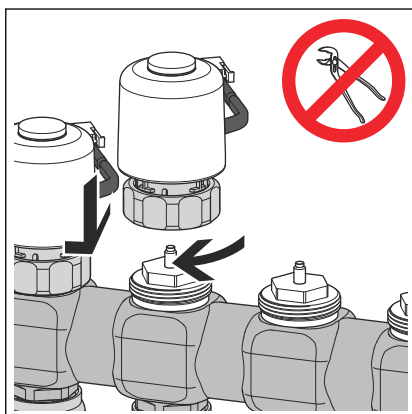
3.2 Mounting the actuators

Mounting preparation

Components required

- Actuators – Number corresponding to the heating circuits to be controlled.

Assembly steps



- Set the actuator on the valve body with the connection cable facing backwards, and hand-tighten the connection screw fitting.



CAUTION! Damage to the actuator

Excessive tightening of the connection screw fitting may damage the actuator.

- Tighten the connection screw fitting by hand only. Do not use a pipe wrench.

3.3 Care tips



NOTICE! Damage due to water in the casing

The device is live. Contact with water will damage the device.

- Avoid any contact of the devices with water.

Care tips

- Wipe the surfaces down with a moist cloth.

3.4 Disposal

Separate the product and packaging materials (e. g. paper, metal, plastic or non-ferrous metals) and dispose of in accordance with valid national legal requirements.



Viega GmbH & Co. KG
service-technik@viega.de
viega.com

INT • 2022-08 • VPN150207

