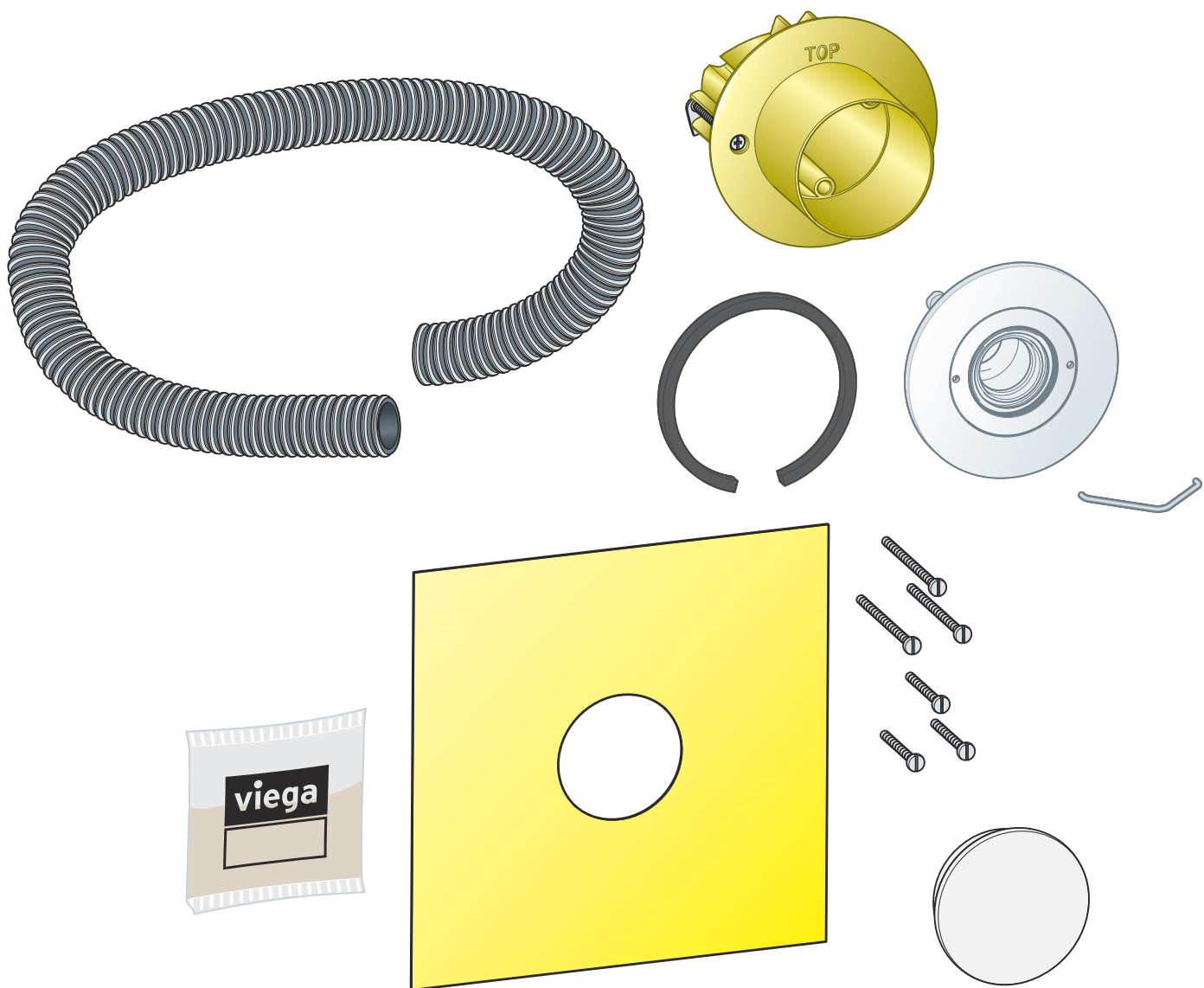


Instructions for Use

Multiplex Trio E extension set



for display element, concealed, cavity wall

Model
6146.221

Table of contents

1	About these instructions for use	3
	1.1 Target groups	3
	1.2 Labelling of notes	3
	1.3 About this translated version	4
2	Product information	5
	2.1 Intended use	5
	2.2 Product description	5
	2.2.1 Overview	5
3	Handling	6
	3.1 Assembly	6
	3.1.1 Mounting the display element	6
	3.2 Disposal	13

1 About these instructions for use

Trade mark rights exist for this document; for further information, go to viega.com/legal.

1.1 Target groups

The information in this instruction manual is directed at the following groups of people:

- Heating and sanitary professionals and trained personnel
- Operators
- Consumers

Individuals without the abovementioned training or qualification are not permitted to mount, install and, if required, maintain this product. This restriction does not extend to possible operating instructions.

The installation of Viega products must take place in accordance with the general rules of engineering and the Viega instructions for use.

1.2 Labelling of notes

Warning and advisory texts are set aside from the remainder of the text and are labelled with the relevant pictographs.



DANGER!

This symbol warns of possible life-threatening injury.



WARNING!

This symbol warns of possible serious injury.



CAUTION!

This symbol warns of possible injury.



NOTICE!

This symbol warns of possible damage to property.



This symbol gives additional information and hints.

1.3 About this translated version

This instruction for use contains important information about the choice of product or system, assembly and commissioning as well as intended use and, if required, maintenance measures. The information about the products, their properties and application technology are based on the current standards in Europe (e.g. EN) and/or in Germany (e.g. DIN/DVGW).

Some passages in the text may refer to technical codes in Europe/Germany. These should serve as recommendations in the absence of corresponding national regulations. The relevant national laws, standards, regulations, directives and other technical provisions take priority over the German/European directives specified in this manual: The information herein is not binding for other countries and regions; as said above, they should be understood as a recommendation.

2 Product information

2.1 Intended use

The extension set is suitable for converting the Multiplex Trio E3 display element for a pre-wall or a masonry wall.

2.2 Product description

2.2.1 Overview

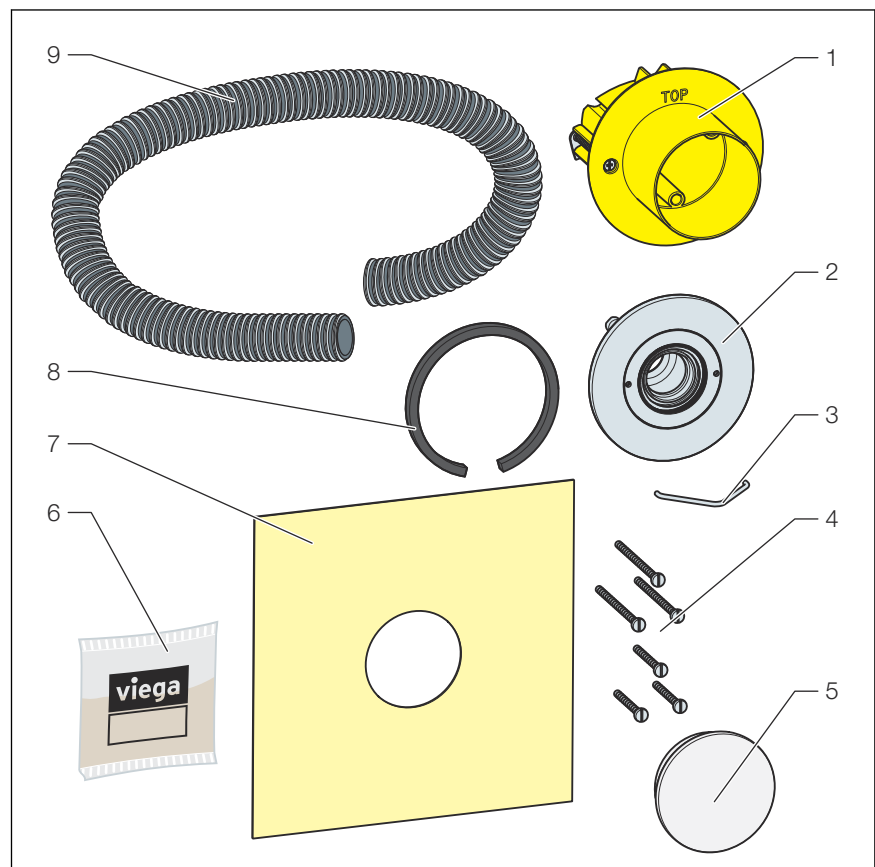


Fig. 1: Components and scope of delivery

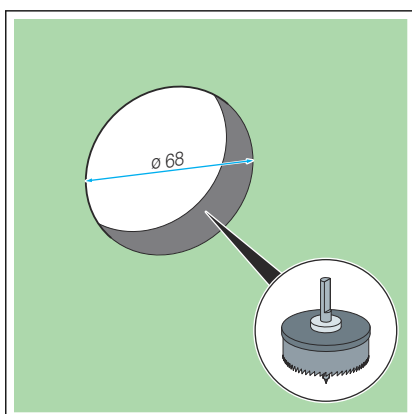
- 1 connection socket
- 2 cover rosette and cover ring
- 3 screwing aid
- 4 fixing screws
- 5 seal plug
- 6 silicon grease (2 g)
- 7 Sealing collar
- 8 Sealing
- 9 Protective pipe

3 Handling

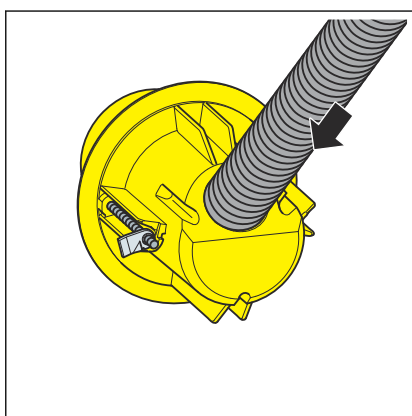
3.1 Assembly

3.1.1 Mounting the display element

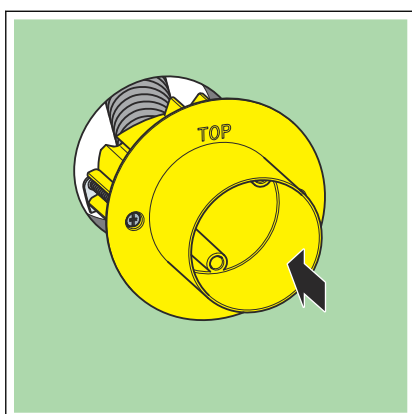
Mounting the connection socket on pre-walls



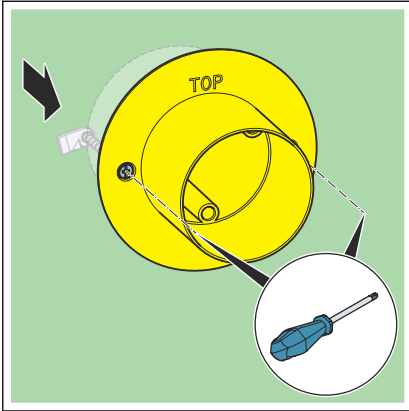
- Use a compass saw (\varnothing 68 mm) to saw the hole into the wall.



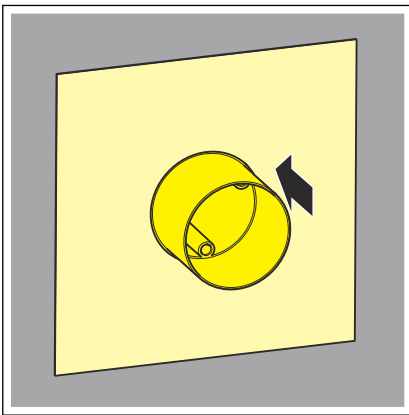
- Insert the empty pipe such that two rings can be seen on the inside.
NOTICE! Do not bend the empty pipe.



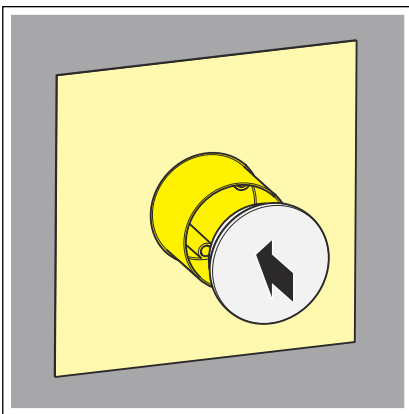
- Insert the connection socket with the word [TOP] and the outlet facing upwards.



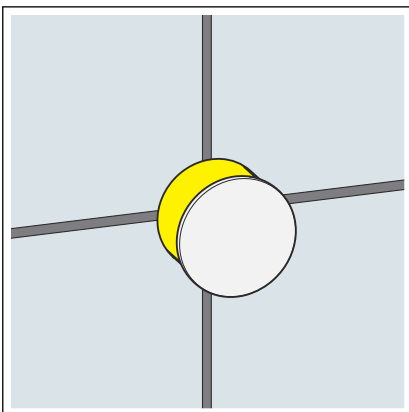
► Screw on the connection socket.



► Push on the sealing collar and incorporate into the sealing concept.

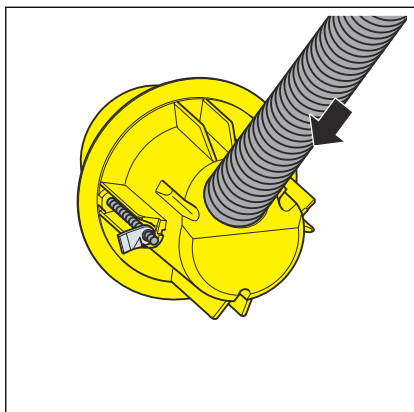


► Insert the seal plug.

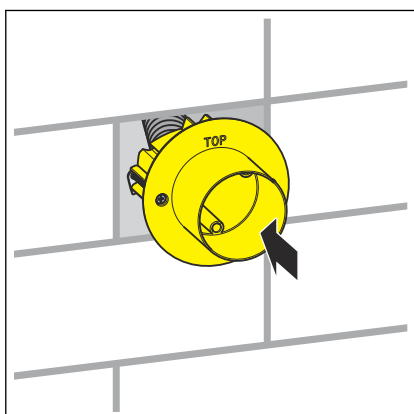


► Tile in the connection socket.

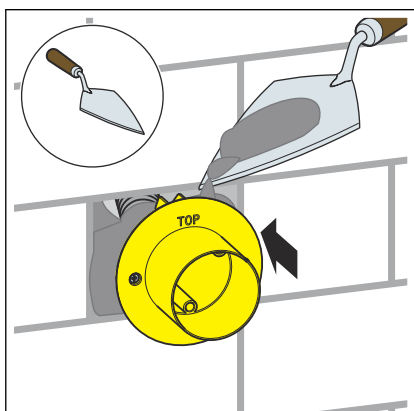
Mounting the connection socket on masonry walls



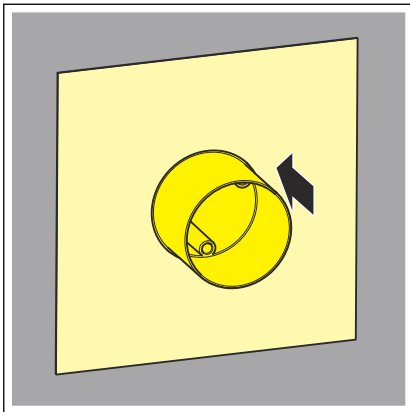
- Insert the empty pipe such that two rings can be seen on the inside.
NOTICE! Do not bend the empty pipe.



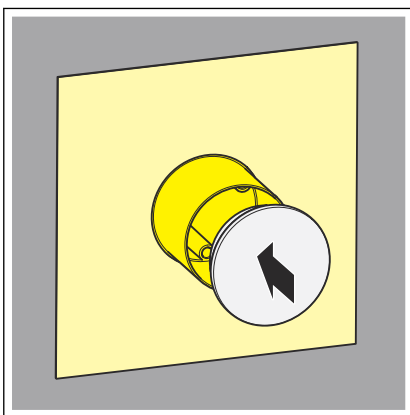
- Insert the connection socket in the recess.



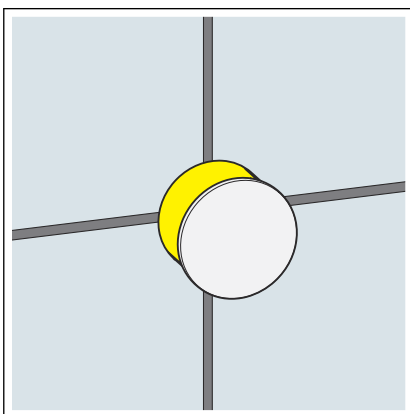
- Fix the connection socket with quick-setting mortar.



► Push on the sealing collar and incorporate into the sealing concept.

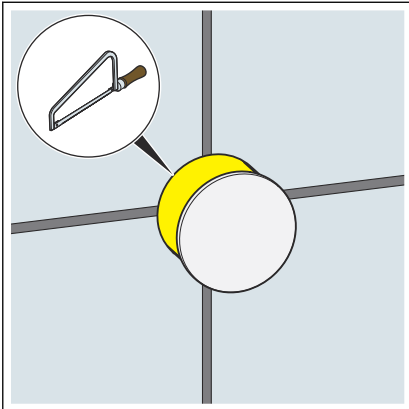


► Fit the seal plug.

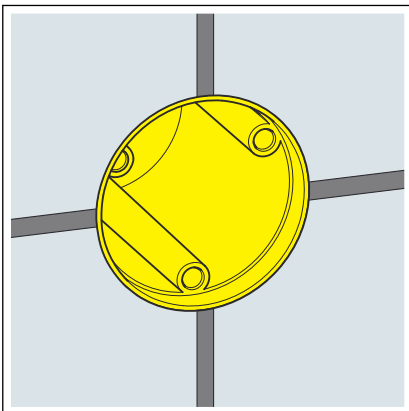


► Tile in the connection socket.

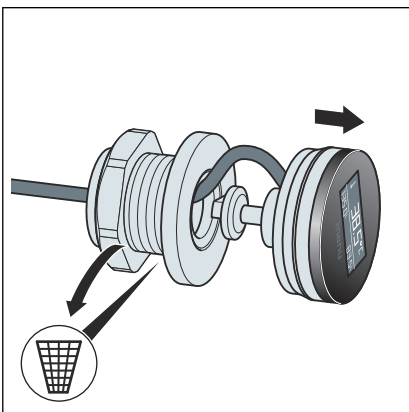
Mounting the display element



► Cut-off or saw-off the connection socket flush.

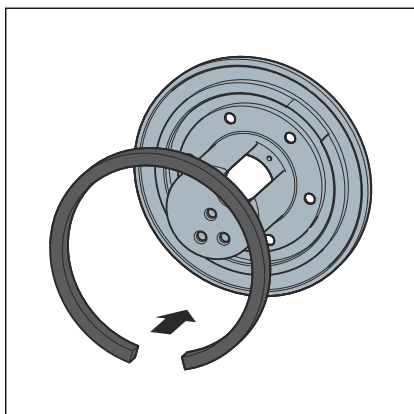


► Cut-off condition.



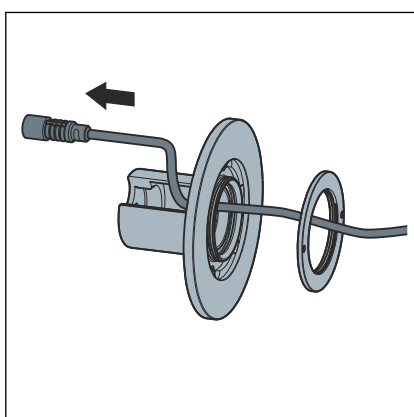
► Pull off the display element.

► Pull out the connection cable through the fixing element.

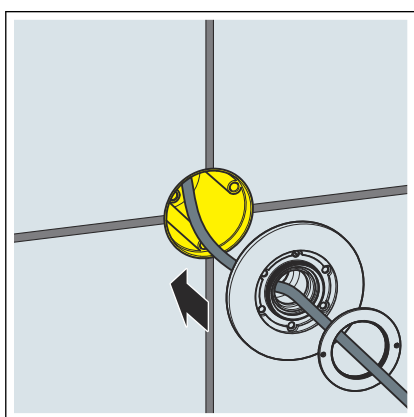


- Insert the seal in the cover rosette.

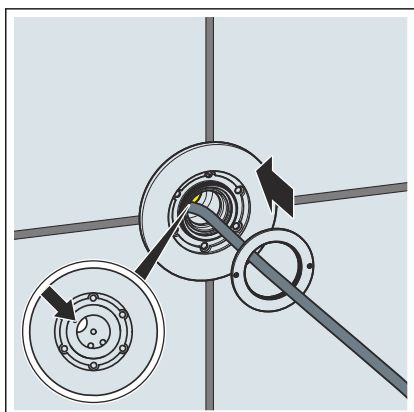
INFO! Insert the seal so that the ends form an opening in the bottom section of the cover rosette.



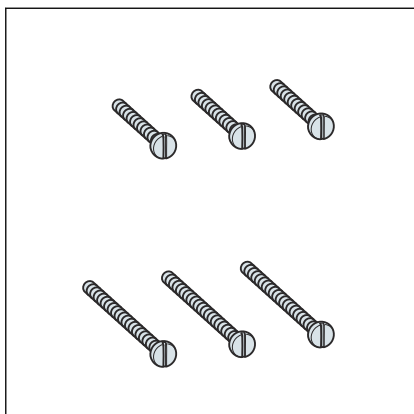
- Push the cover ring and the cover rosette over the connection cable for the display element.



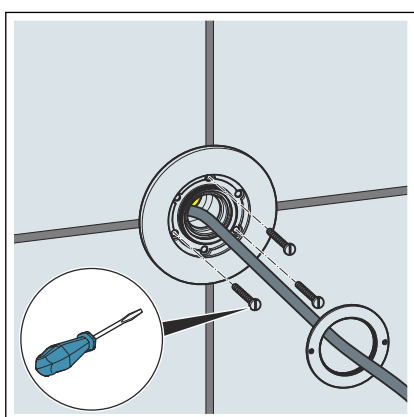
- Insert the connection cable and route through the empty pipe to the mixing unit.



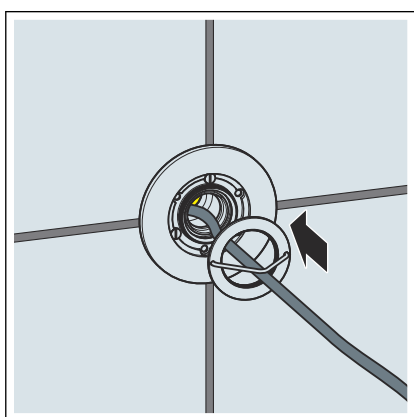
- Place the cover rosette on the flush-mounting box. Make sure that the open side of the cover rosette is located top left.



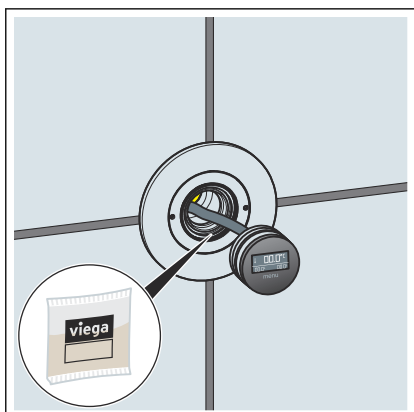
- Select the appropriate screw length.



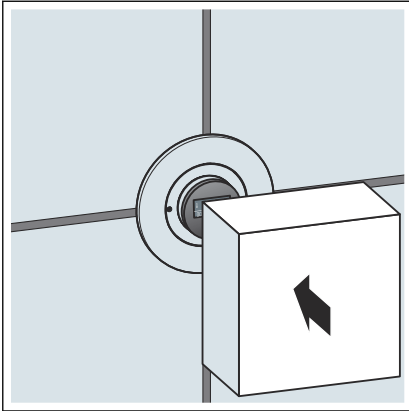
- Fasten the cover rosette using the selected screws.



- Screw in the cover ring using the screwing aid.



- Apply a thin layer of grease to the seal ring.
- Insert the display element with the inscription facing downwards.



- Fit the site protection for the display element.

3.2 Disposal

Separate the product and packaging materials (e. g. paper, metal, plastic or non-ferrous metals) and dispose of in accordance with valid national legal requirements.



Viega GmbH & Co. KG
service-technik@viega.de
viega.com

INT • 2022-08 • VPN190541

