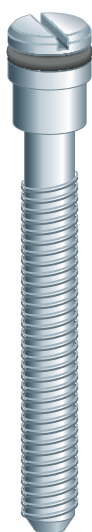


## Instructions for Use

# Tempoplex conversion kit



for drain, Tempoplex, series from 2001 onwards

**Model**  
6958.99

**Year built (from)**  
09/2006

**viega**

# Table of contents

<b>1</b>	<b>About these instructions for use</b>	<b>3</b>
	1.1 Target groups	3
	1.2 Labelling of notes	3
	1.3 About this translated version	4
<b>2</b>	<b>Product information</b>	<b>5</b>
	2.1 Area of application	5
	2.2 Product description	5
<b>3</b>	<b>Handling</b>	<b>6</b>
	3.1 Assembly	6
	3.1.1 Mounting the cover plate	6
	3.2 Disposal	7

# 1 About these instructions for use

## 1.1 Target groups

The information in this instruction manual is directed at the following groups of people:

- Heating and plumbing experts and trained personnel

Individuals without the abovementioned training or qualification are not permitted to mount, install and, if required, maintain this product. This restriction does not extend to possible operating instructions.

The installation of Viega products must take place in accordance with the general rules of engineering and the Viega instructions for use.

## 1.2 Labelling of notes

Warning and advisory texts are set aside from the remainder of the text and are labelled with the relevant pictographs.



### **DANGER!**

This symbol warns of possible life-threatening injury.



### **WARNING!**

This symbol warns of possible serious injury.



### **CAUTION!**

This symbol warns of possible injury.



### **NOTICE!**

This symbol warns of possible damage to property.



This symbol gives additional information and hints.

### 1.3 About this translated version

This instruction for use contains important information about the choice of product or system, assembly and commissioning as well as intended use and, if required, maintenance measures. The information about the products, their properties and application technology are based on the current standards in Europe (e.g. EN) and/or in Germany (e.g. DIN/DVGW).

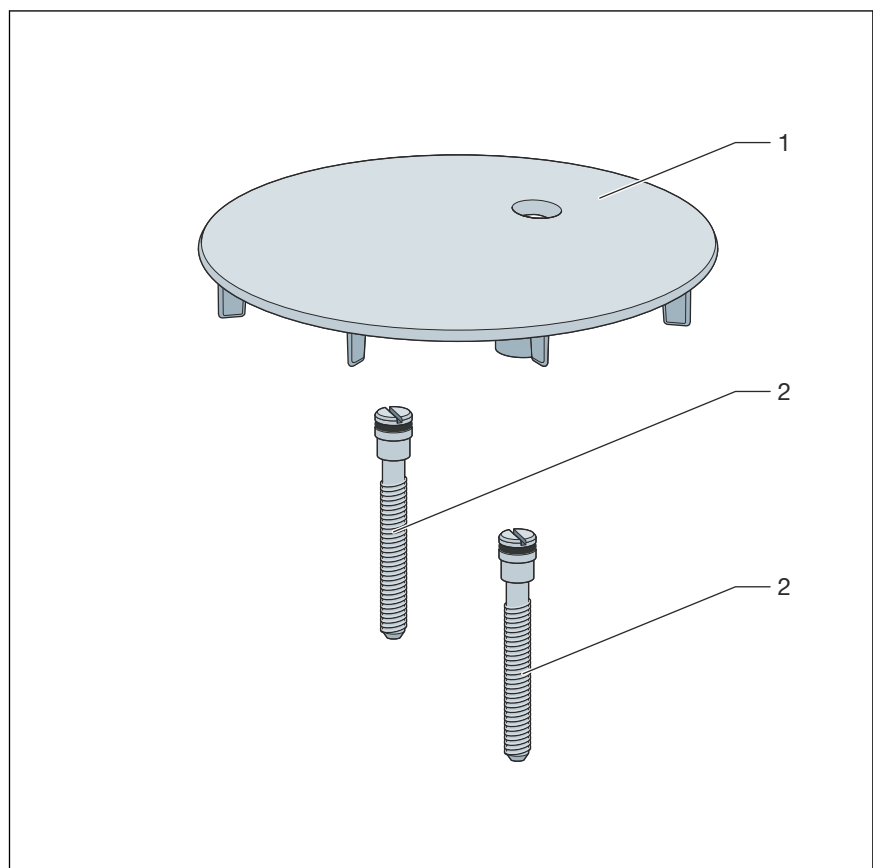
Some passages in the text may refer to technical codes in Europe/Germany. These should serve as recommendations in the absence of corresponding national regulations. The relevant national laws, standards, regulations, directives and other technical provisions take priority over the German/European directives specified in this manual: The information herein is not binding for other countries and regions; as said above, they should be understood as a recommendation.

## 2 Product information

### 2.1 Area of application

The Tempoplex conversion kit allows the Tempoplex models 6958, 6958.1, 6959 and 6959.1 of the 2001 to 05.2006 series to be converted for particularly heavy loads.

### 2.2 Product description



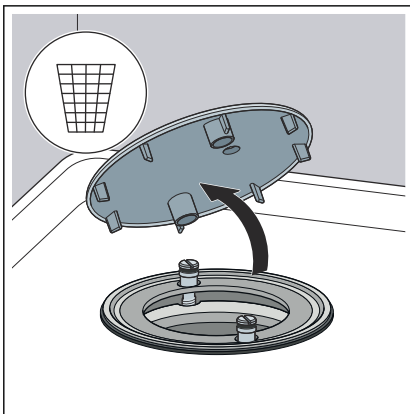
**Fig. 1: Overview**

- 1 Cover plate
- 2 Screws with O-ring

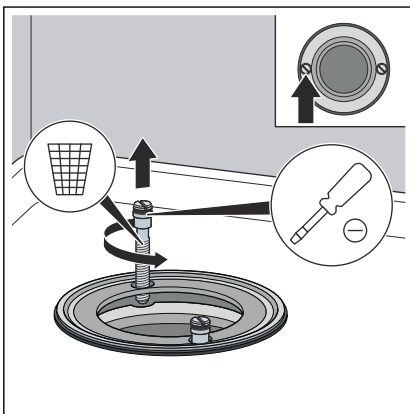
## 3 Handling

### 3.1 Assembly

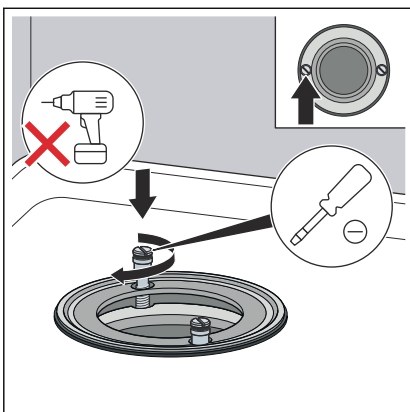
#### 3.1.1 Mounting the cover plate



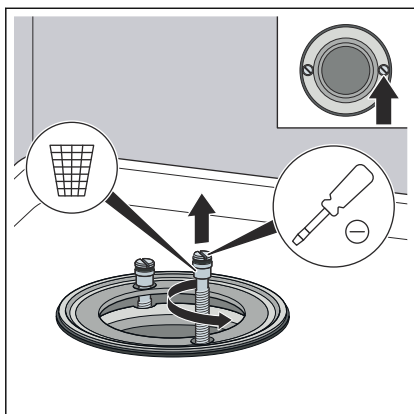
► Remove the existing cover plate and dispose of it.



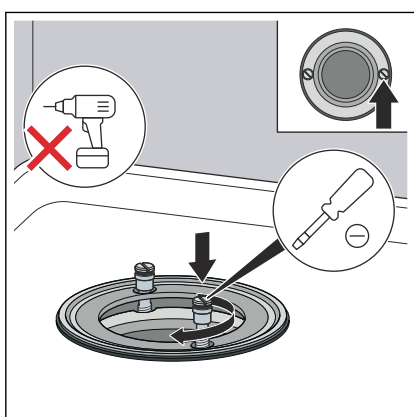
► Unscrew **one** of the two screws.



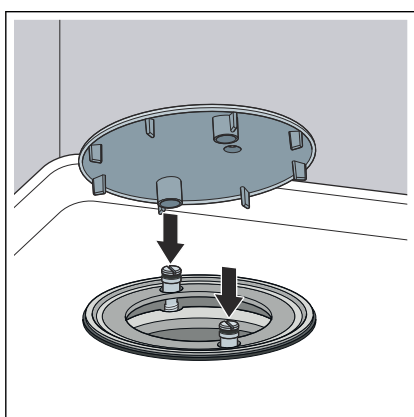
► Screw in a new screw.



► Unscrew the second screw.



► Screw in the second new screw.



► Press the cover plate onto the screw heads.

□ The cover plate is fitted.

## 3.2 Disposal

Separate the product and packaging materials (e. g. paper, metal, plastic or non-ferrous metals) and dispose of in accordance with valid national legal requirements.



**Viega GmbH & Co. KG**  
service-technik@viega.de  
viega.com

INT • 2022-09 • VPN210518

