

## Instructions for Use

# Kellermeister cellar drain



**Model**  
4956.4

**Year built (from)**  
01/1998

# Table of contents

|          |   |          |
|----------|---|----------|
| <b>1</b> | <b>About these instructions for use</b> | <b>3</b> |
|          | 1.1 Target groups                       | 3        |
|          | 1.2 Labelling of notes                  | 3        |
|          | 1.3 About this translated version       | 4        |
| <b>2</b> | <b>Product information</b>              | <b>5</b> |
|          | 2.1 Standards and regulations           | 5        |
|          | 2.2 Intended use                        | 5        |
|          | 2.2.1 Areas of use                      | 5        |
|          | 2.2.2 Media                             | 5        |
|          | 2.2.3 Drainage capacity                 | 6        |
|          | 2.3 Product description                 | 6        |
|          | 2.3.1 Overview                          | 6        |
|          | 2.3.2 Technical data                    | 7        |
|          | 2.4 Information for use                 | 7        |
|          | 2.4.1 Installation variations           | 7        |
|          | 2.5 Accessories                         | 7        |
| <b>3</b> | <b>Handling</b>                         | <b>8</b> |
|          | 3.1 Assembly information                | 8        |
|          | 3.1.1 Important note                    | 8        |
|          | 3.1.2 Installation dimensions           | 8        |
|          | 3.1.3 Tools and materials               | 9        |
|          | 3.2 Assembly                            | 9        |
|          | 3.2.1 Connecting the drain              | 9        |
|          | 3.3 Care                                | 10       |
|          | 3.3.1 Care tips                         | 10       |
|          | 3.3.2 Cleaning the drain                | 10       |
|          | 3.4 Disposal                            | 11       |

# 1 About these instructions for use

Trade mark rights exist for this document, further information can be found at [viega.com/legal](http://viega.com/legal).

## 1.1 Target groups

The information in this instruction manual is directed at the following groups of people:

- Heating and sanitary professionals and trained personnel
- Tilers
- Consumers

It is not permitted for individuals without the abovementioned training or qualification to mount, install and, if required, maintain this product. This restriction does not extend to possible operating instructions.

The installation of Viega products must take place in accordance with the general rules of engineering and the Viega instructions for use.

## 1.2 Labelling of notes

Warning and advisory texts are set aside from the remainder of the text and are labelled with the relevant pictographs.



### **DANGER!**

This symbol warns against possible life-threatening injury.



### **WARNING!**

This symbol warns against possible serious injury.



### **CAUTION!**

This symbol warns against possible injury.



### **NOTICE!**

This symbol warns against possible damage to property.



Notes give you additional helpful tips.

### 1.3 About this translated version

This instruction for use contains important information about the choice of product or system, assembly and commissioning as well as intended use and, if required, maintenance measures. The information about the products, their properties and application technology are based on the current standards in Europe (e. g. EN) and/or in Germany (e. g. DIN/DVGW).

Some passages in the text may refer to technical codes in Europe/Germany. These should serve as recommendations in the absence of corresponding national regulations. The relevant national laws, standards, regulations, directives and other technical provisions take priority over the German/European directives specified in this manual: The information herein is not binding for other countries and regions; as said above, they should be understood as a recommendation.

## 2 Product information

### 2.1 Standards and regulations

The following standards and regulations apply to Germany / Europe. National regulations can be found on the relevant web site of your country at [viega.com/standards](http://viega.com/standards).

#### Regulations from section: Media

| Scope / Notice              | Regulations applicable in Germany |
|-----------------------------|-----------------------------------|
| Typical domestic wastewater | DIN 1986-3                        |

### 2.2 Intended use

#### 2.2.1 Areas of use

The drain is intended for use in floor constructions without sealing – e. g. cellars where wastewater occurs in small quantities at irregular intervals.

Technical information, see ↗ *Chapter 2.3.2 'Technical data' on page 7.*

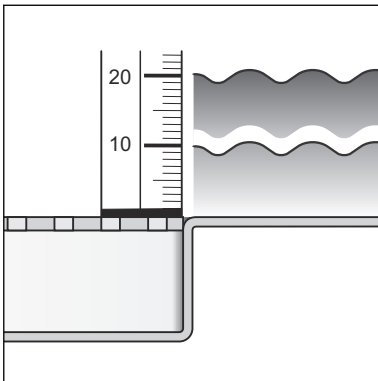
#### 2.2.2 Media

The drain is intended for draining of household-type wastewater in constant operation, see ↗ *'Regulations from section: Media' on page 5.*

- The short-term temperature of the wastewater may reach up to 95° C. The temperature must be considerably lower in constant operation.
- The pH value must be higher than 4 but lower than 10.

It is not permitted to introduce wastewater which would damage the product material.

### 2.2.3 Drainage capacity

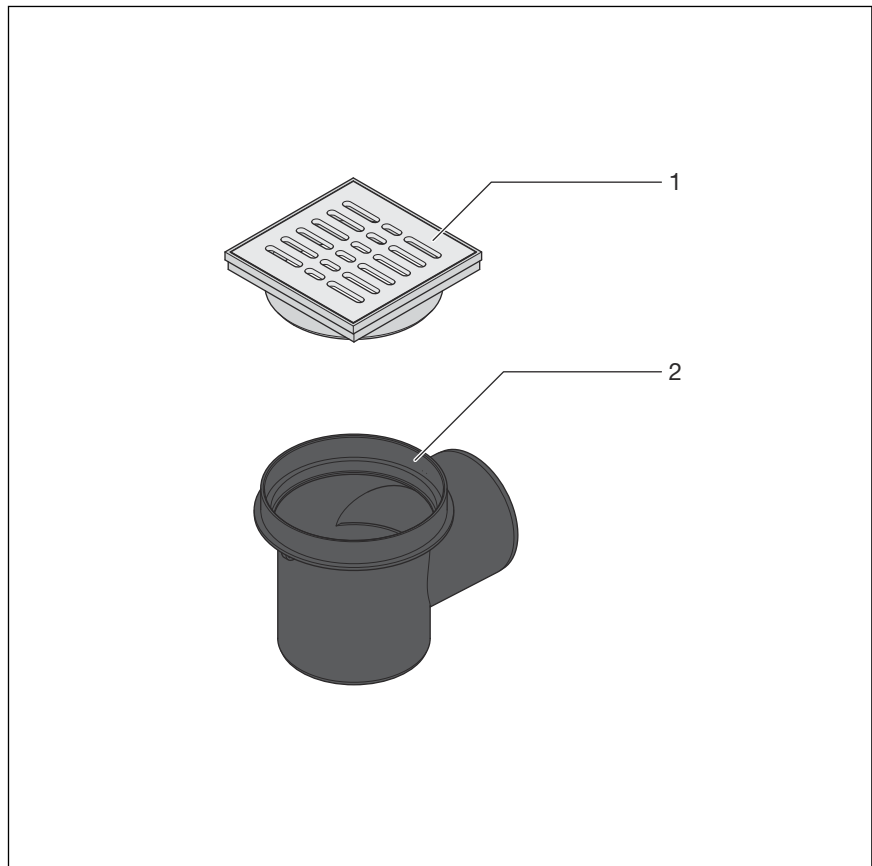


|  |         |
|--|---------|
| Nominal width [DN] (drain socket)                                    | 100     |
| Drainage capacity at an accumulation height of 20 mm above the grate | 1.6 l/s |

The values are dependent on the total height of the drain unit.

## 2.3 Product description

### 2.3.1 Overview



**Fig. 1: Components**

- 1 - grate, model 4956-551
- 2 - base unit

## 2.3.2 Technical data

|                                    |  |
|------------------------------------|--|
| Nominal width [DN] (drain socket)  | 100  |
| Nominal width [DN] (inlet)         | 50 or 70 (only in connection with connecting piece model 4997) |
| Drainage capacity                  | ↪ Chapter 2.2.3 'Drainage capacity' on page 6                  |
| Water head seal                    | 50 mm  |
| Dimensions and installation height | ↪ Chapter 3.1.2 'Installation dimensions' on page 8            |
| Load class                         | K = 300 kg   |

## 2.4 Information for use

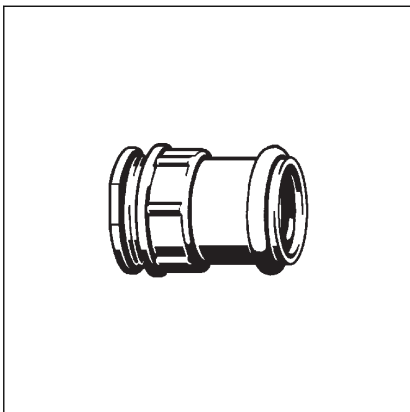
### 2.4.1 Installation variations

The drain can be mounted in the following way:

- in a drill hole
- in a floor recess

## 2.5 Accessories

### Optional accessories



Optionally, a connecting piece can be fitted. The connecting piece serves as a possible additional inlet (DN 50 or DN70).

## 3 Handling

### 3.1 Assembly information

#### 3.1.1 Important note

Before assembly:

- Check if the drainage capacity of the drain is sufficient for the arising water volume ↪ *Chapter 2.2.3 'Drainage capacity' on page 6.*
- Check if the installation height of the drain corresponds with the planned floor construction.
- Ensure that the required connection line is installed with the necessary incline to the planned installation location.

During assembly:

- Observe installation dimensions.

#### 3.1.2 Installation dimensions

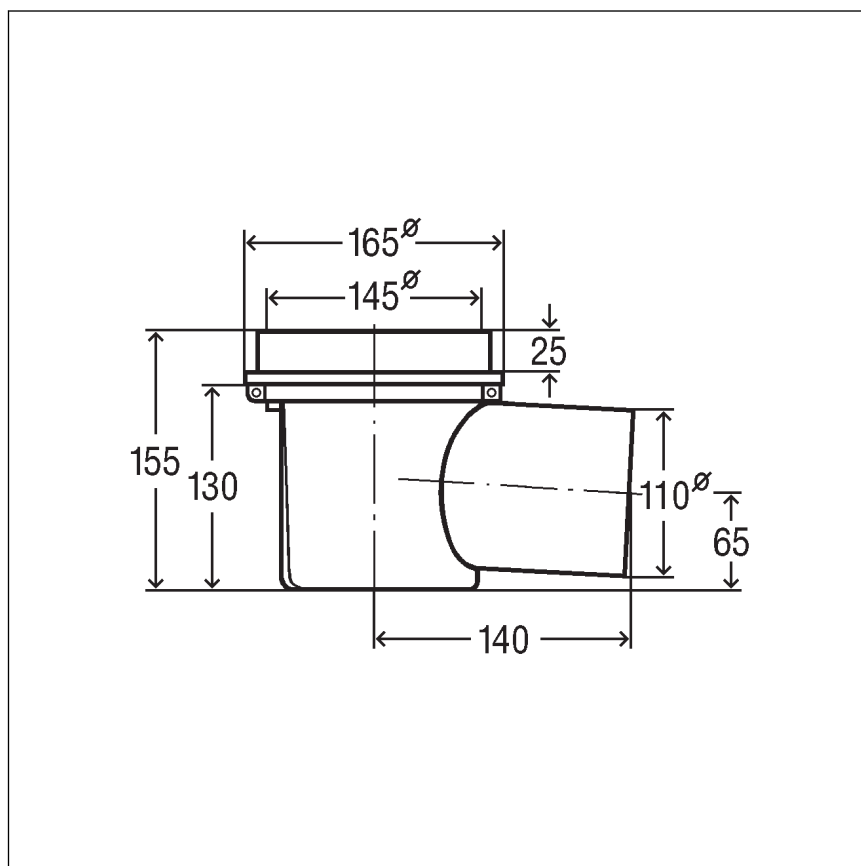


Fig. 2: Dimensional drawing



### 3.1.3 Tools and materials

#### Required material

- Material for securing the drain
- For the mounting of the connecting piece (optional):  
compass saw

## 3.2 Assembly

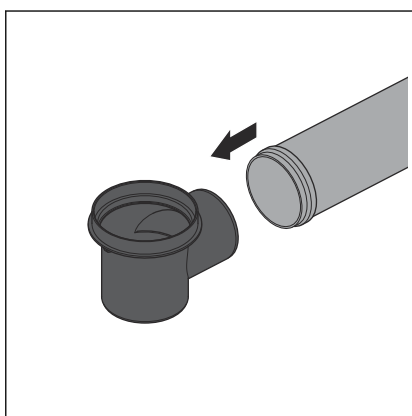
### 3.2.1 Connecting the drain

#### Connecting to the wastewater system

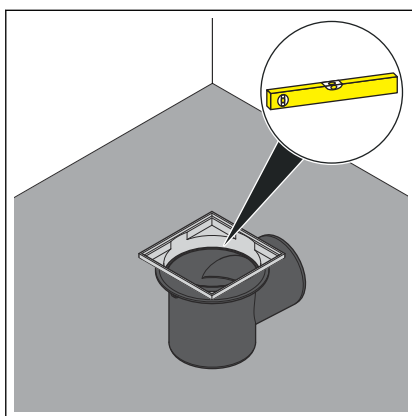
The connection to the wastewater system must be completed before the drain can be installed in the floor construction. Proceed as follows:

Requirements:

- A pipe to the planned drainage position is already in place for the connection to the wastewater system.
- The drainpipe has an internal sealing lip.
- Push the drain socket into the drainpipe completely.

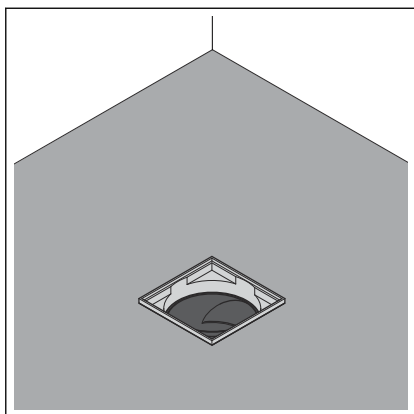


#### Mounting the drain



- Position the drain at the desired height at the place of use. If necessary, raise or lower in the existing floor using suitable material.
- Align drain horizontally using a spirit level.
- Secure the drain in such a way that it cannot shift when the subsequent works are applied.

Most importantly, it must be ensured that the drain does not float when the concrete or screed is poured in.



► Work the drain into the screed or floor covering.



**NOTICE!**  
**Product damage due to improper installation**

If hollow spaces occur during the lining of the drain, leaks may occur when pressure is applied.

Inform the subsequent workers that the drain must be fully lined and that there must be no hollow spaces.

### 3.3 Care

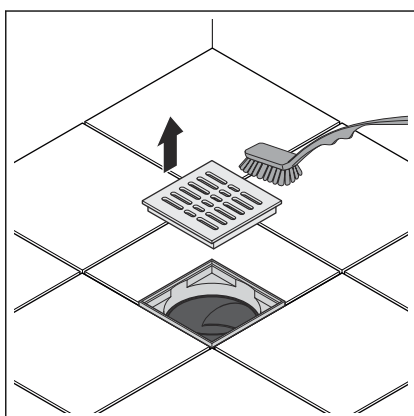
#### 3.3.1 Care tips

Normal soap or a mild cleaning agent can be used for regular care and prevention of lime scale on the grate and frame. Under no circumstances should scouring agent or scratching objects be used.

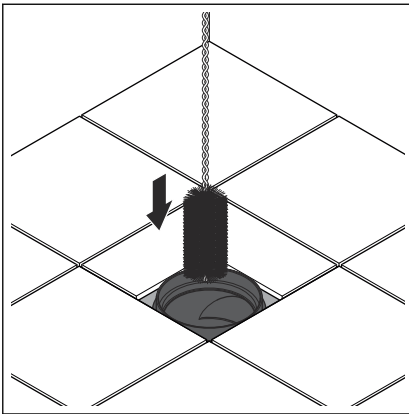
Strong stains, even around the drain unit and the siphon, can be removed using typical household cleaner. It should be noted that the cleaning agent should be rinsed off after the prescribed soaking time. There should be no residue on the components.

#### 3.3.2 Cleaning the drain

We recommend using a mild cleaning agent and a washing-up brush for cleaning.



► Remove and clean grate.



- Clean drain.
- Re-insert grate.

### 3.4 Disposal

Separate the product and packaging materials (e. g. paper, metal, plastic or non-ferrous metals) and dispose of in accordance with valid national legal requirements.



**Viega GmbH & Co. KG**  
service-technik@viega.de  
viega.com

INT • 2022-08 • VPN170303

