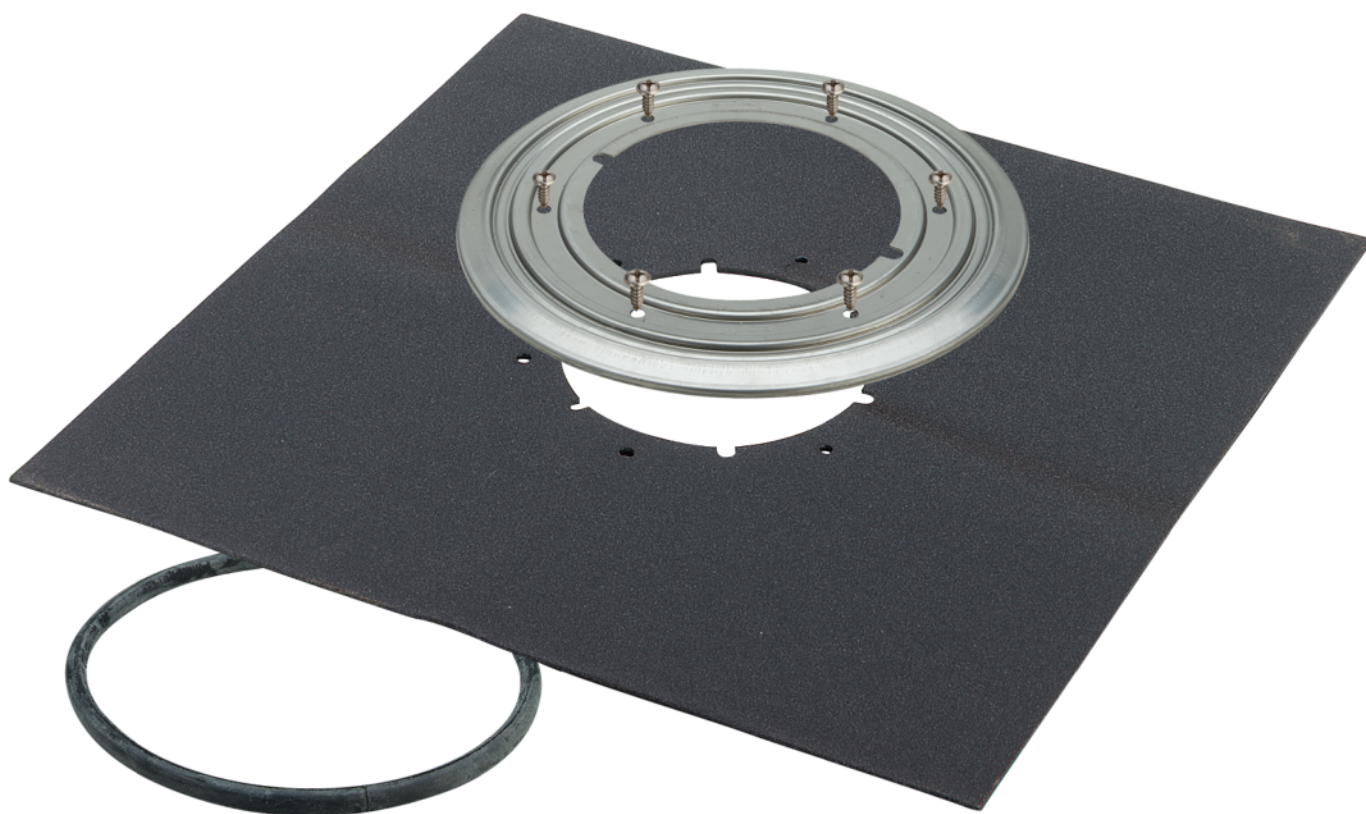


Advantix sealing kit

Instructions for Use



for connection by hot-air welding or open-flame welding,
Advantix stacking element, bath drain, balcony/terrace drain

Model
4998.3

en_INT

viega

Table of contents

1	About these instructions for use	4
1.1	Target groups	4
1.2	Labelling of notes	4
1.3	About this translated version	5
2	Product information	6
2.1	Intended use	6
2.1.1	Areas of use	6
2.2	Product description	6
2.2.1	Overview	6
3	Handling	7
3.1	Assembly information	7
3.1.1	Installation dimensions	7
3.1.2	Tools and materials	7
3.2	Assembly	7
3.3	Disposal	9

1 About these instructions for use

Trade mark rights exist for this document; for further information, go to viega.com/legal.

1.1 Target groups

The information in this instruction manual is directed at the following groups of people:

- Heating and sanitary professionals and trained personnel
- Tilers

It is not permitted for individuals without the abovementioned training or qualification to mount, install and, if required, maintain this product. This restriction does not extend to possible operating instructions.

The installation of Viega products must take place in accordance with the general rules of engineering and the Viega instructions for use.

1.2 Labelling of notes

Warning and advisory texts are set aside from the remainder of the text and are labelled with the relevant pictographs.



DANGER!

This symbol warns against possible life-threatening injury.



WARNING!

This symbol warns against possible serious injury.



CAUTION!

This symbol warns against possible injury.



NOTICE!

This symbol warns against possible damage to property.



Notes give you additional helpful tips.

1.3 About this translated version

This instruction for use contains important information about the choice of product or system, assembly and commissioning as well as intended use and, if required, maintenance measures. The information about the products, their properties and application technology are based on the current standards in Europe (e. g. EN) and/or in Germany (e. g. DIN/DVGW).

Some passages in the text may refer to technical codes in Europe/Germany. These should serve as recommendations in the absence of corresponding national regulations. The relevant national laws, standards, regulations, directives and other technical provisions take priority over the German/European directives specified in this manual: The information herein is not binding for other countries and regions; as said above, they should be understood as a recommendation.

2 Product information

2.1 Intended use

2.1.1 Areas of use

The Advantix sealing set is intended for conventional sealing of an Advantix drain.

2.2 Product description

2.2.1 Overview

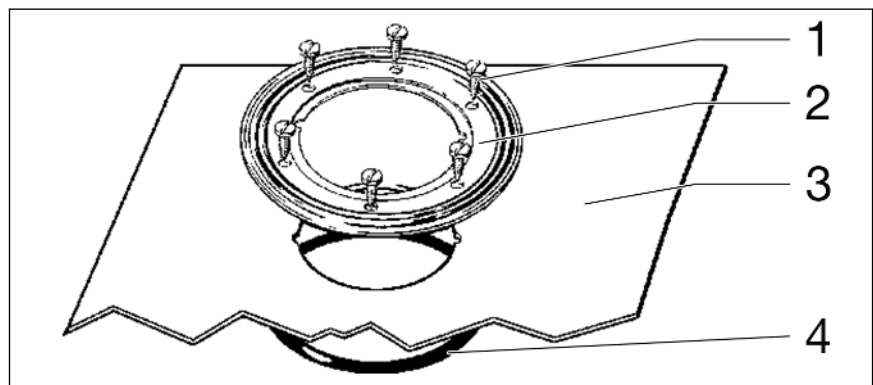


Fig. 1: Scope of delivery

- 1 fixing screws
- 2 clamping ring, stainless steel
- 3 sealing collar, EPDM 500x500 mm / 3.1 mm thick
- 4 sealing element

3 Handling

3.1 Assembly information

3.1.1 Installation dimensions

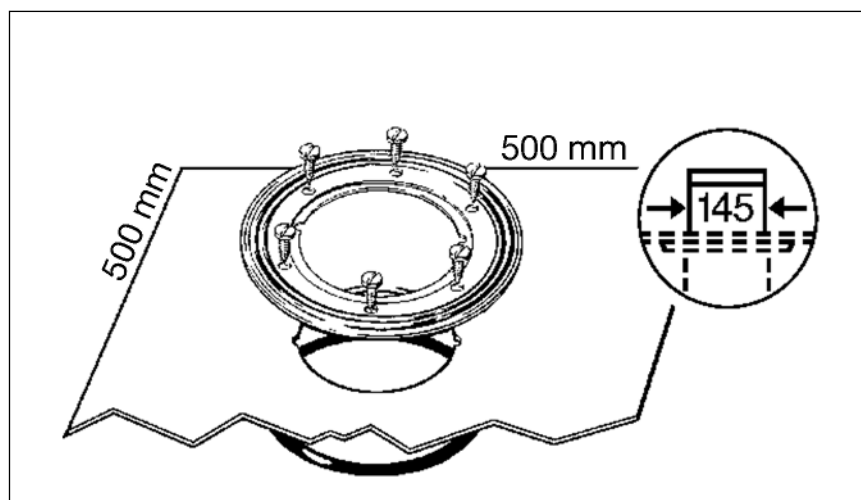


Fig. 2: Dimensions

3.1.2 Tools and materials

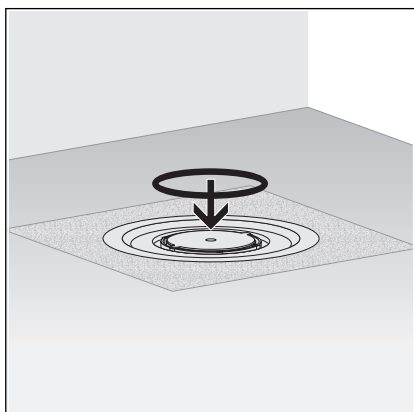
Required tools

- screwdriver

3.2 Assembly

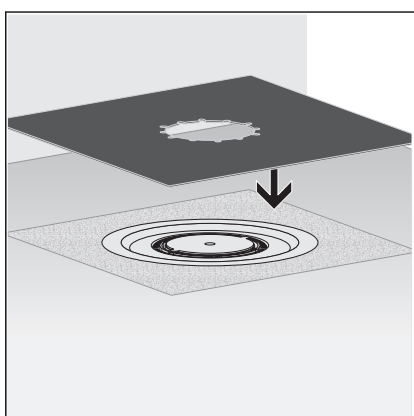
Requirements:

- The drain has been mounted.
- The flange is free of heavy soil.
- The complete surface of the flange is lined with material and undamaged.
- If required, clean the flange of coarse soil (e. g. from screed).



- Insert sealing ring.

The sealing ring must lie in the groove between the flange and the screw holes.

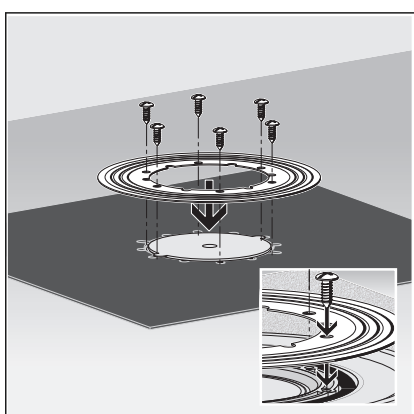


- INFO!** The Viega sealing collar has two differently coated sides. One side is coated with bitumen and the other side with EPDM. If the additional sealing takes place with bitumen sealing lanes, the sealing collar must be used with the bitumen side facing upwards. If EPDM sealing lanes are used, the EPDM side must face upwards.

- Position the sealing collar in such a way that the screw holes are visible through the recesses.



- Position the clamping ring on the sealing collar in such a way that the screw holes are visible through the recesses.



- Screw the clamping ring tightly to the flange.

Thread in the mounting screws in the screw holes only.

- ⇒ The drain is sealed and the remaining sealing collars can be laid.

3.3 Disposal

Separate the product and packaging materials (e. g. paper, metal, plastic or non-ferrous metals) and dispose of in accordance with valid national legal requirements.