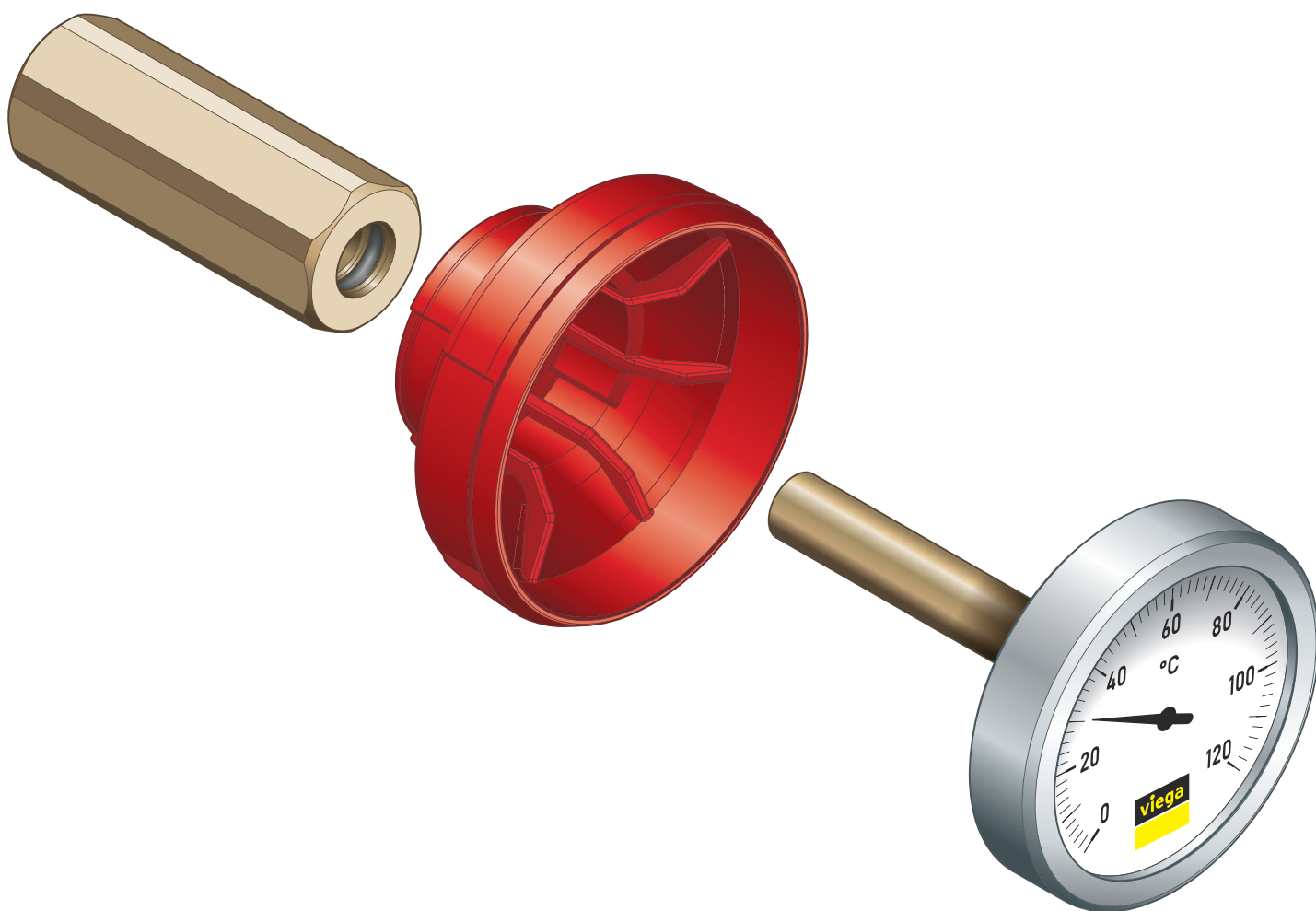


Instructions for Use

Easytop thermometer



for Easytop ball valves with T-shaped actuating lever

Model
2275.94

Year built (from)
07/2017

Table of contents

1	About these instructions for use	3
	1.1 Target groups	3
	1.2 Labelling of notes	3
	1.3 About this translated version	4
2	Product information	5
	2.1 Intended use	5
	2.1.1 Areas of application	5
	2.2 Product description	5
	2.2.1 Overview	5
3	Handling	6
	3.1 Assembly	6
	3.1.1 Assembling the thermometer	6
	3.2 Disposal	7

1 About these instructions for use

Trade mark rights exist for this document; for further information, go to viega.com/legal.

1.1 Target groups

The information in this manual is directed at heating and sanitary professionals and trained personnel.

Individuals without the abovementioned training or qualification are not permitted to mount, install and, if required, maintain this product. This restriction does not extend to possible operating instructions.

The installation of Viega products must take place in accordance with the general rules of engineering and the Viega instructions for use.

1.2 Labelling of notes

Warning and advisory texts are set aside from the remainder of the text and are labelled with the relevant pictographs.



DANGER!

This symbol warns of possible life-threatening injury.



WARNING!

This symbol warns of possible serious injury.



CAUTION!

This symbol warns of possible injury.



NOTICE!

This symbol warns of possible damage to property.



This symbol gives additional information and hints.

1.3 About this translated version

This instruction for use contains important information about the choice of product or system, assembly and commissioning as well as intended use and, if required, maintenance measures. The information about the products, their properties and application technology are based on the current standards in Europe (e.g. EN) and/or in Germany (e.g. DIN/DVGW).

Some passages in the text may refer to technical codes in Europe/Germany. These should serve as recommendations in the absence of corresponding national regulations. The relevant national laws, standards, regulations, directives and other technical provisions take priority over the German/European directives specified in this manual: The information herein is not binding for other countries and regions; as said above, they should be understood as a recommendation.

2 Product information

2.1 Intended use

2.1.1 Areas of application

The model is suitable for use in an Easytop actuating lever (model 2275.91).

2.2 Product description

2.2.1 Overview

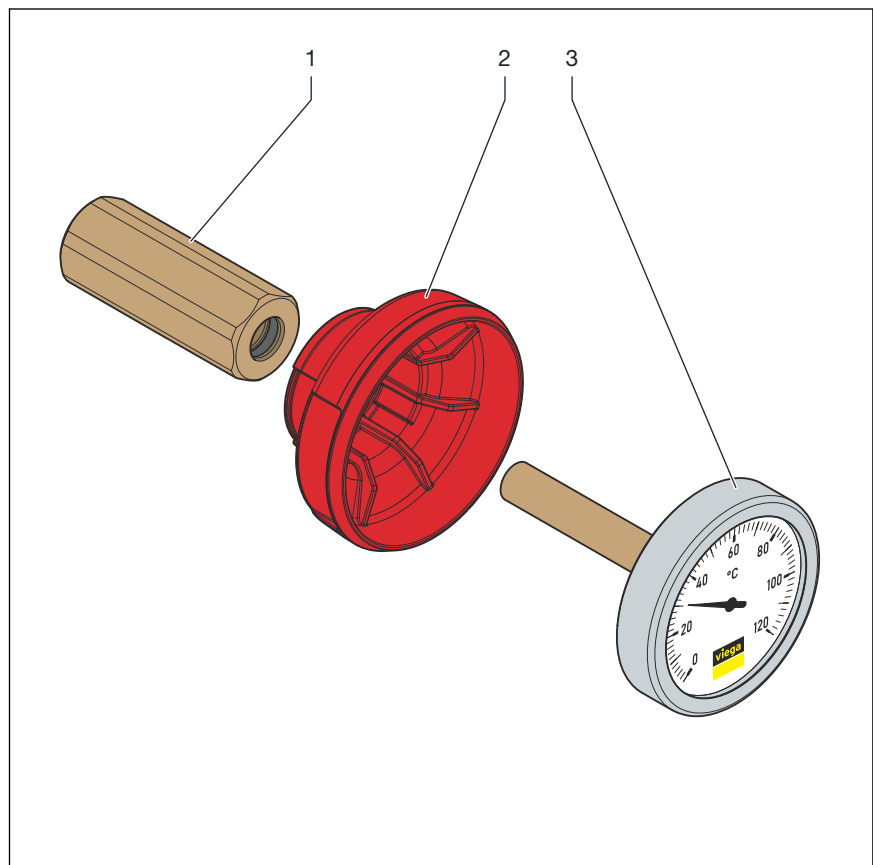


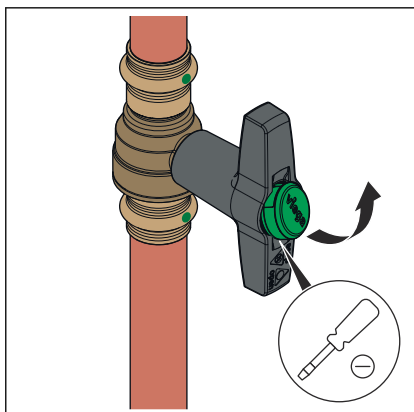
Fig. 1: Easytop thermometer

- 1 - Fixing nut
- 2 - Easytop media marking
- 3 - Thermometer

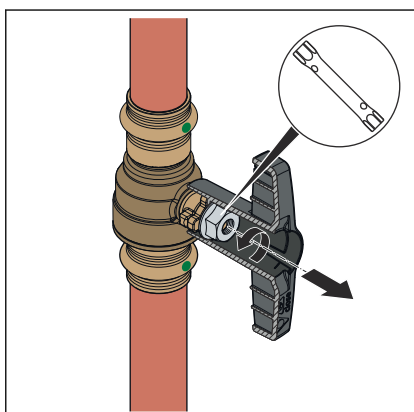
3 Handling

3.1 Assembly

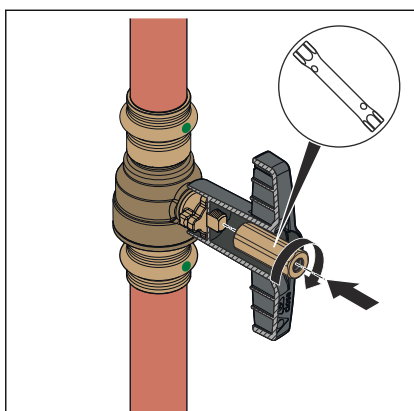
3.1.1 Assembling the thermometer



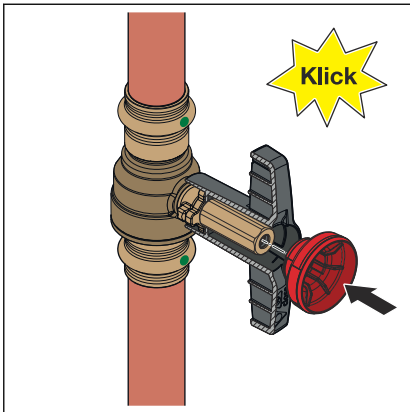
► Remove the protective cap from the actuating lever.



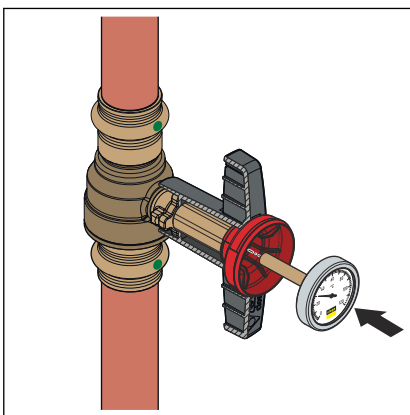
► Undo the fixing screw.



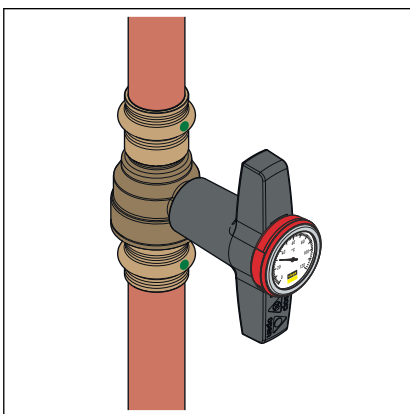
► Insert and fasten the fixing nut.



➤ Insert the media marking.



➤ Insert the thermometer.



➤ The thermometer is assembled.

3.2 Disposal

Separate the product and packaging materials (e. g. paper, metal, plastic or non-ferrous metals) and dispose of in accordance with valid national legal requirements.



Viega GmbH & Co. KG
service-technik@viega.de
viega.com

INT • 2022-08 • VPN2275.94

