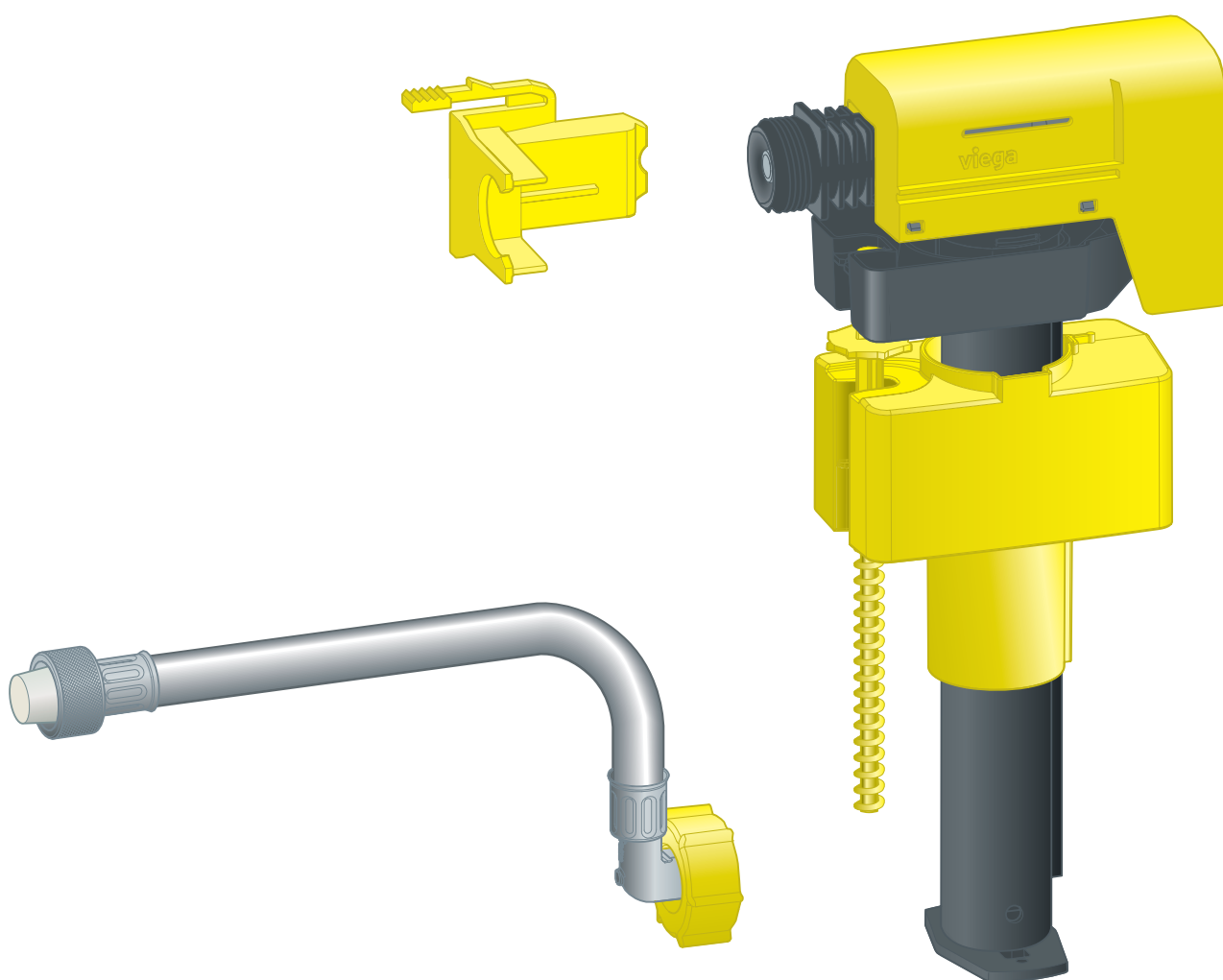


Instructions for Use

Filling valve set



for concealed cistern 3H

Model
8580.3

Year built (from)
01/2020

viega

Table of contents

1	About these instructions for use	3
	1.1 Target groups	3
	1.2 Labelling of notes	3
	1.3 About this translated version	4
2	Product information	5
	2.1 Area of application	5
	2.2 Overview	5
3	Handling	6
	3.1 Assembly	6
	3.1.1 Replacing the filling valve set	6
	3.2 Cleaning the filling valve set	11
	3.3 Disposal	15

1 About these instructions for use

1.1 Target groups

The information in this instruction manual is directed at the following groups of people:

- Heating and plumbing experts and trained personnel

Individuals without the abovementioned training or qualification are not permitted to mount, install and, if required, maintain this product. This restriction does not extend to possible operating instructions.

The installation of Viega products must take place in accordance with the general rules of engineering and the Viega instructions for use.

1.2 Labelling of notes

Warning and advisory texts are set aside from the remainder of the text and are labelled with the relevant pictographs.



DANGER!

This symbol warns of possible life-threatening injury.



WARNING!

This symbol warns of possible serious injury.



CAUTION!

This symbol warns of possible injury.



NOTICE!

This symbol warns of possible damage to property.



This symbol gives additional information and hints.

1.3 About this translated version

This instruction for use contains important information about the choice of product or system, assembly and commissioning as well as intended use and, if required, maintenance measures. The information about the products, their properties and application technology are based on the current standards in Europe (e.g. EN) and/or in Germany (e.g. DIN/DVGW).

Some passages in the text may refer to technical codes in Europe/Germany. These should serve as recommendations in the absence of corresponding national regulations. The relevant national laws, standards, regulations, directives and other technical provisions take priority over the German/European directives specified in this manual: The information herein is not binding for other countries and regions; as said above, they should be understood as a recommendation.

2 Product information

2.1 Area of application

The filling valve set is used to fill the 3H concealed cistern.

2.2 Overview

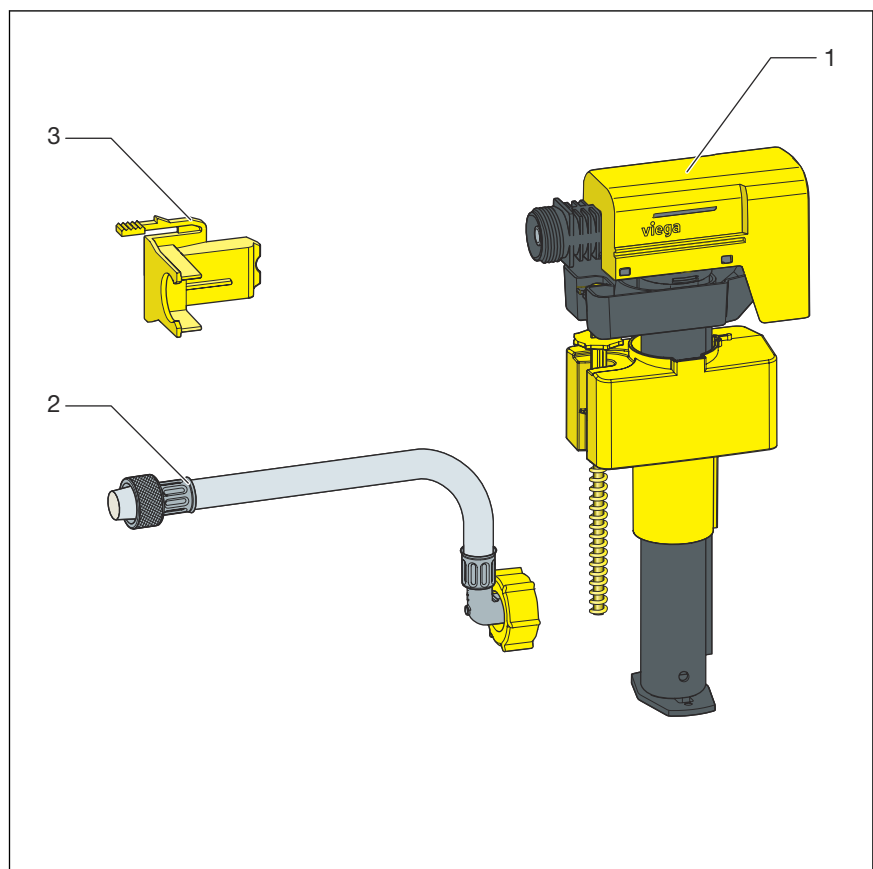


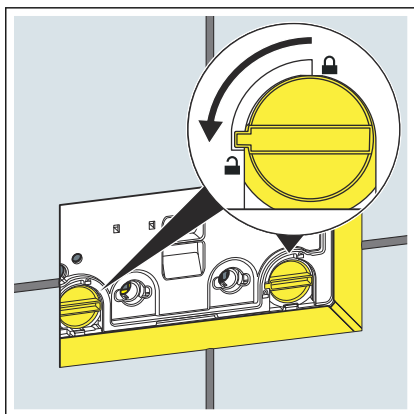
Fig. 1: Filling valve set

- 1 Filling valve
- 2 Hose
- 3 Filling valve holder

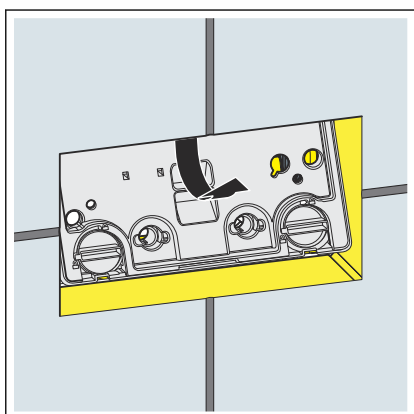
3 Handling

3.1 Assembly

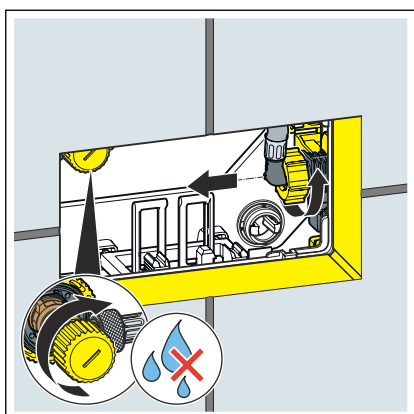
3.1.1 Replacing the filling valve set



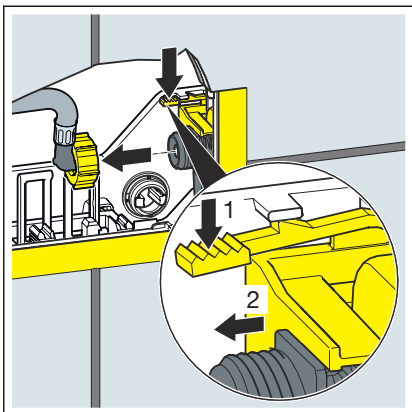
- Turn the site protection panel lock 90° anti-clockwise.



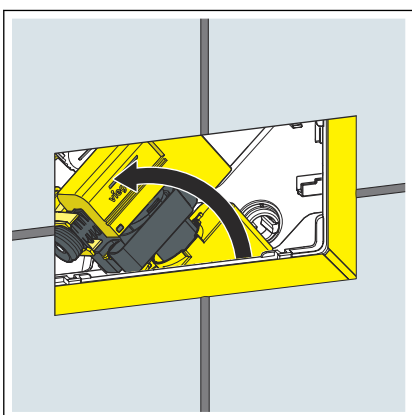
- Remove the site protection panel.



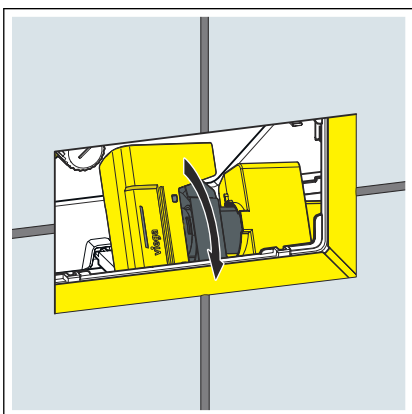
- Close the corner valve.
- Loosen the flexible hose on the filling valve.



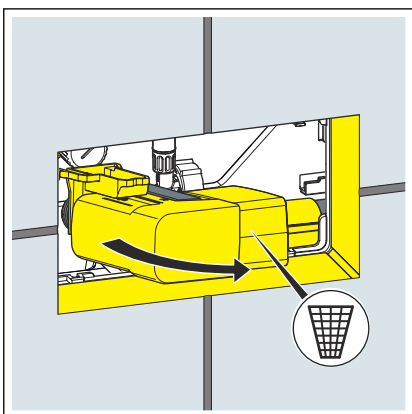
- Loosen the lock on the filling valve.
- Loosen the filling valve in the cistern.



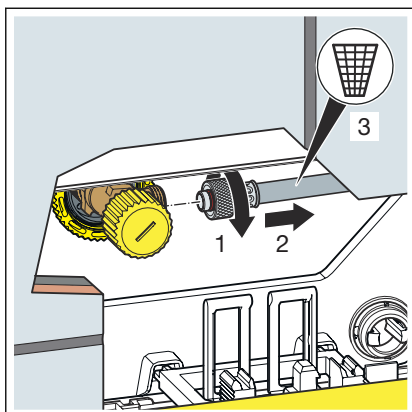
- Rotate the filling valve in the cistern.



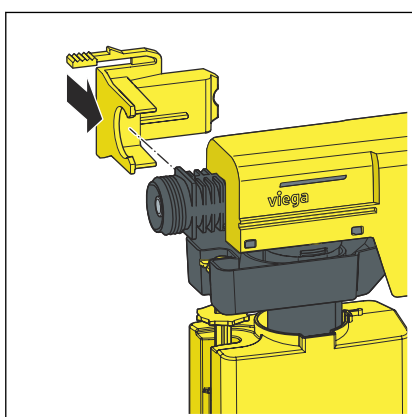
- Rotate the filling valve in the cistern.
- Remove the filling valve.



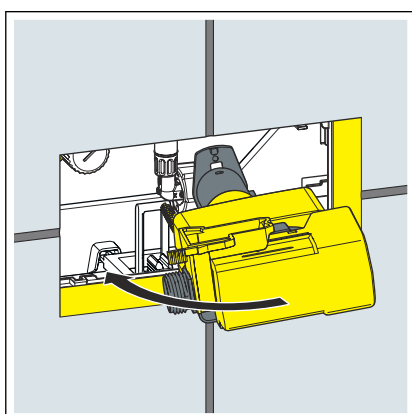
- Remove and dispose of the filling valve.



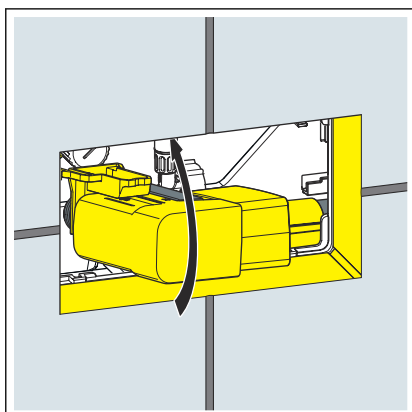
- Loosen the flexible hose from the corner valve.
- Loosen the flexible hose and dispose of it.



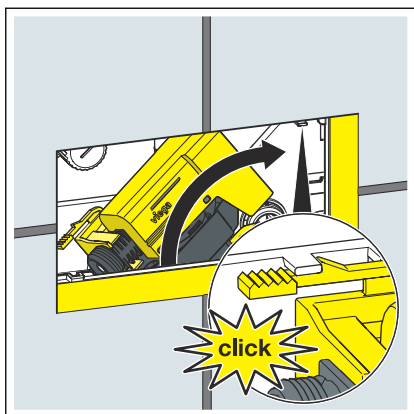
- Fasten the filling valve holder to the filling valve.



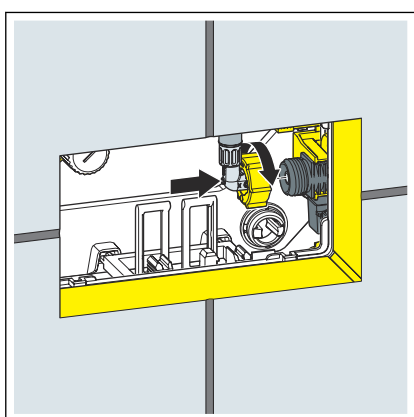
- Rotate the filling valve.
- Guide the filling valve into the cistern.



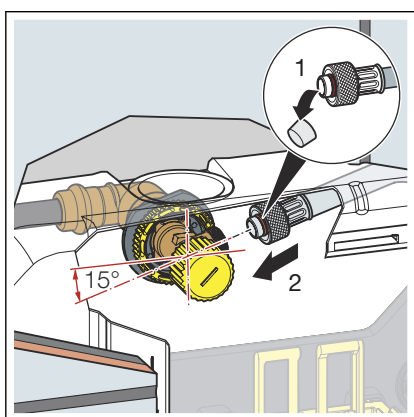
- Rotate the filling valve in the cistern.



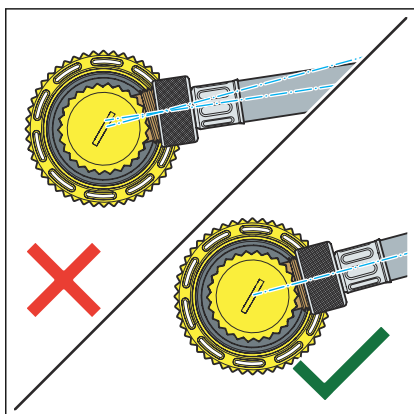
- Insert the filling valve.
- The clip can be heard locking into place.



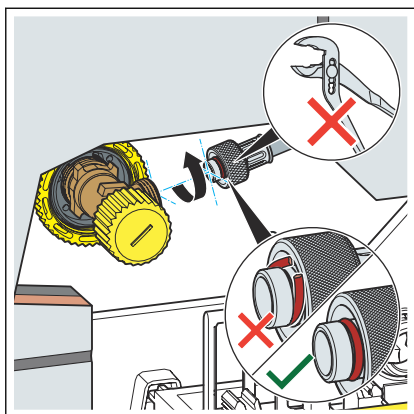
- Insert the flexible hose.
- Screw the flexible hose to the filling valve.



- Remove the protective cap from the flexible hose.
- Place the flexible hose straight onto the angle valve thread.

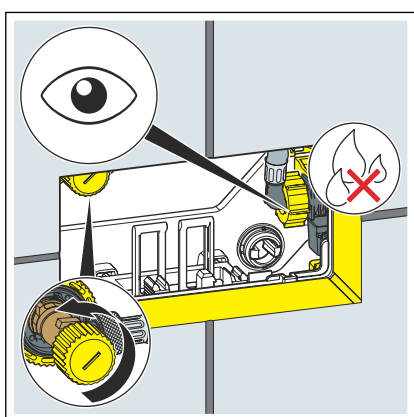


NOTICE! Place the flexible hose straight onto the angle valve thread.



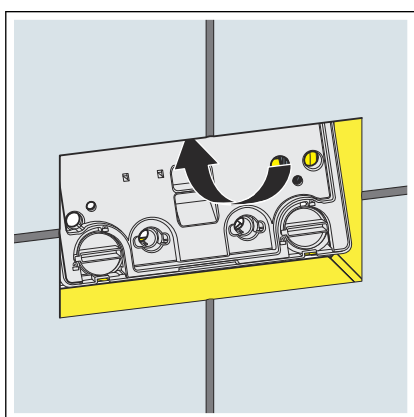
► Screw the flexible hose and the corner valve to each other.

NOTICE! Do not damage the sealing element when screwing.

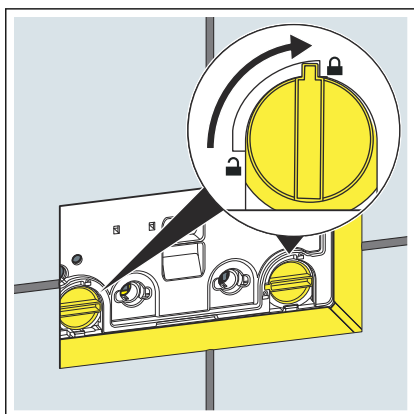


► Re-open the corner valve.

INFO! Check the corner valve and the filling valve for leak tightness.

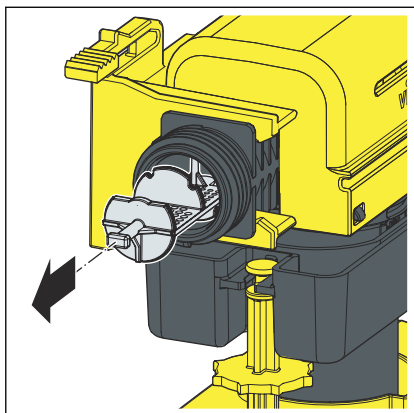


► Insert the site protection panel into the cistern.

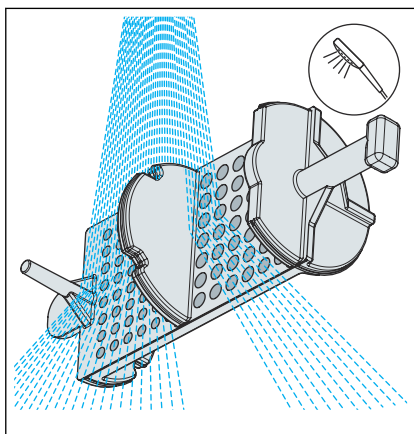


► Turn the site protection panel's lock by 90° clockwise.

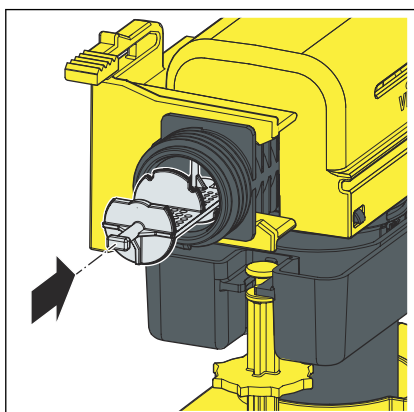
3.2 Cleaning the filling valve set



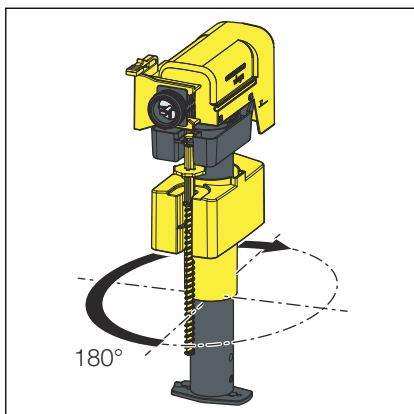
► Remove the filter from the filling valve set.



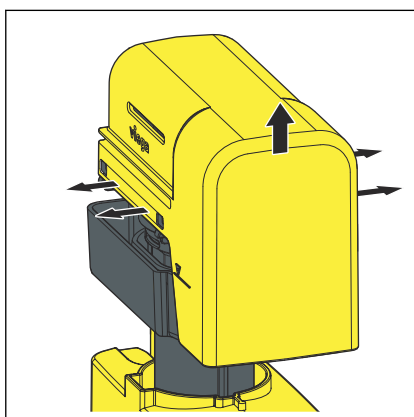
► Clean the filter under running water.



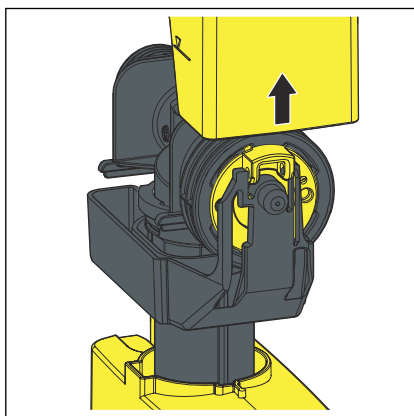
► Re-insert the filter into the filling valve set.



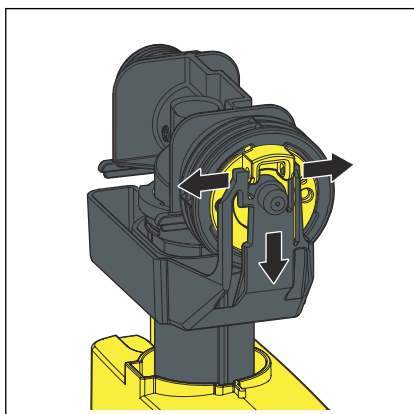
► Rotate the filling valve through 180°.



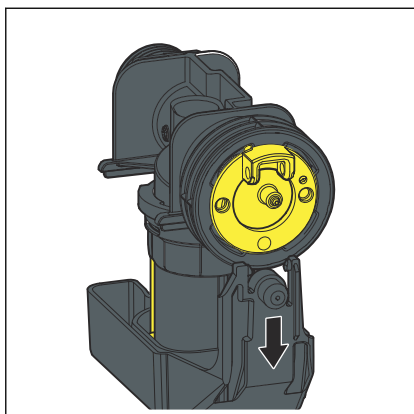
► Fold up the catches on the cover.



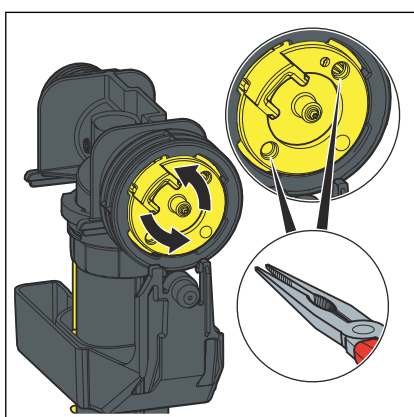
► Remove the cover upwards.



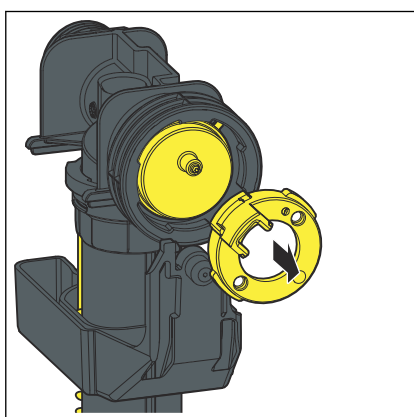
► Bend up the holder for the float.



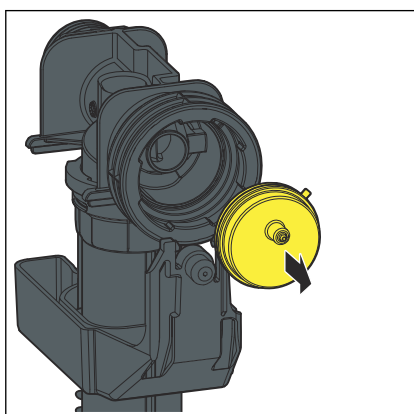
► Slide the holder downwards.



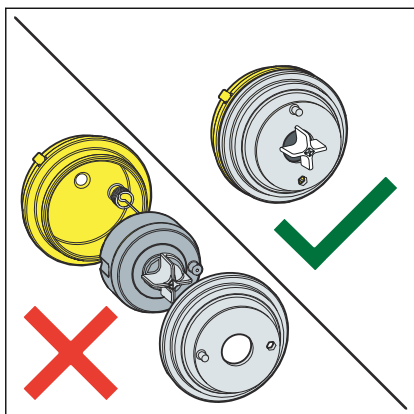
► Use snipe nose pliers to release the fixing rim by rotating anti-clockwise through 45°.



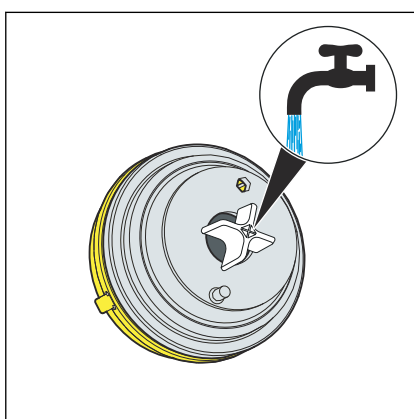
► Remove the closing piece.



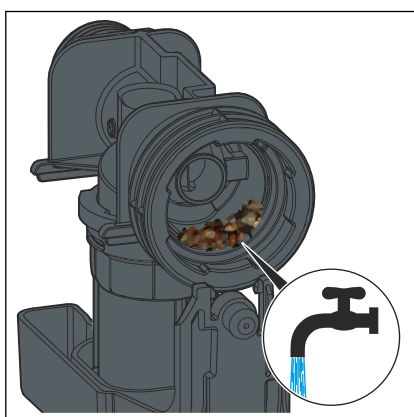
► Remove the membrane valve.



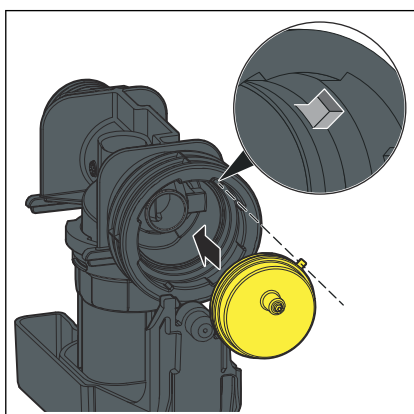
NOTICE! Do not dismantle the membrane valve into its components to avoid damage.



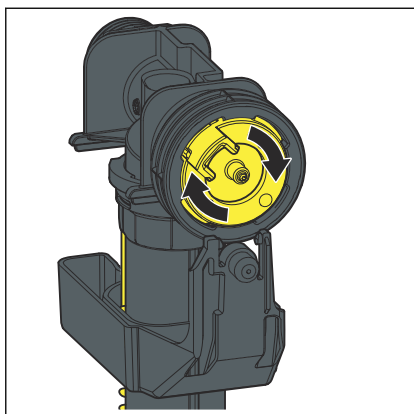
► If necessary, clean the membrane valve by holding it under running water.



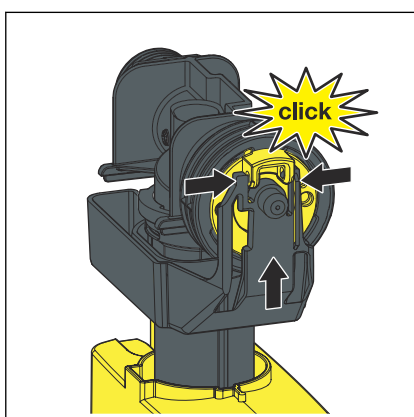
► Clean the valve seat as well.



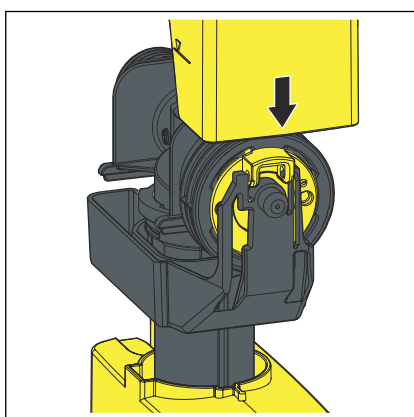
► Mount the membrane valve, checking for correct seating.



► Tighten the fixing rim by rotating clockwise through 45°.



► Re-mount the holder of the float on the end piece.



► Mount the cover.

► Mount the valve in the cistern, see [Chapter 3.1.1 'Replacing the filling valve set'](#) on page 6.

► Check the function.

3.3 Disposal

Separate the product and packaging materials (e. g. paper, metal, plastic or non-ferrous metals) and dispose of in accordance with valid national legal requirements.



Viega GmbH & Co. KG
service-technik@viega.de
viega.com

INT • 2024-04 • VPN240028

