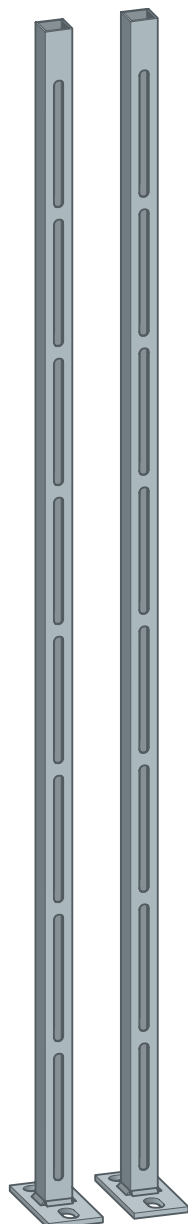


Instructions for Use

Prevista Pure standing bracket



for self-supporting mounting of Prevista Pure blocks

Model
8570.54

Year built (from)
07/2019

Table of contents

| | | |
|----------|-----------------------------------------|----------|
| 1 | About these instructions for use | 3 |
| | 1.1 Target groups | 3 |
| | 1.2 Labelling of notes | 3 |
| | 1.3 About this translated version | 4 |
| 2 | Product information | 5 |
| | 2.1 Intended use | 5 |
| | 2.1.1 Areas of use | 5 |
| | 2.2 Product description | 5 |
| | 2.2.1 Overview | 5 |
| 3 | Handling | 6 |
| | 3.1 Assembly information | 6 |
| | 3.1.1 Installation dimensions | 6 |
| | 3.2 Assembly | 7 |
| | 3.2.1 Mounting the standing bracket | 7 |
| | 3.3 Disposal | 11 |

1 About these instructions for use

Trade mark rights exist for this document; for further information, go to viega.com/legal.

1.1 Target groups

The information in this instruction manual is directed at the following groups of people:

- Heating and sanitary professionals and trained personnel

Individuals without the abovementioned training or qualification are not permitted to mount, install and, if required, maintain this product. This restriction does not extend to possible operating instructions.

The installation of Viega products must take place in accordance with the general rules of engineering and the Viega instructions for use.

1.2 Labelling of notes

Warning and advisory texts are set aside from the remainder of the text and are labelled with the relevant pictographs.



DANGER!

This symbol warns of possible life-threatening injury.



WARNING!

This symbol warns of possible serious injury.



CAUTION!

This symbol warns of possible injury.



NOTICE!

This symbol warns of possible damage to property.



This symbol gives additional information and hints.

1.3 About this translated version

This instruction for use contains important information about the choice of product or system, assembly and commissioning as well as intended use and, if required, maintenance measures. The information about the products, their properties and application technology are based on the current standards in Europe (e.g. EN) and/or in Germany (e.g. DIN/DVGW).

Some passages in the text may refer to technical codes in Europe/Germany. These should serve as recommendations in the absence of corresponding national regulations. The relevant national laws, standards, regulations, directives and other technical provisions take priority over the German/European directives specified in this manual: The information herein is not binding for other countries and regions; as said above, they should be understood as a recommendation.

2 Product information

2.1 Intended use

2.1.1 Areas of use

The Prevista Pure standing bracket is used for the free-standing mounting of Prevista Pure blocks.

2.2 Product description

2.2.1 Overview

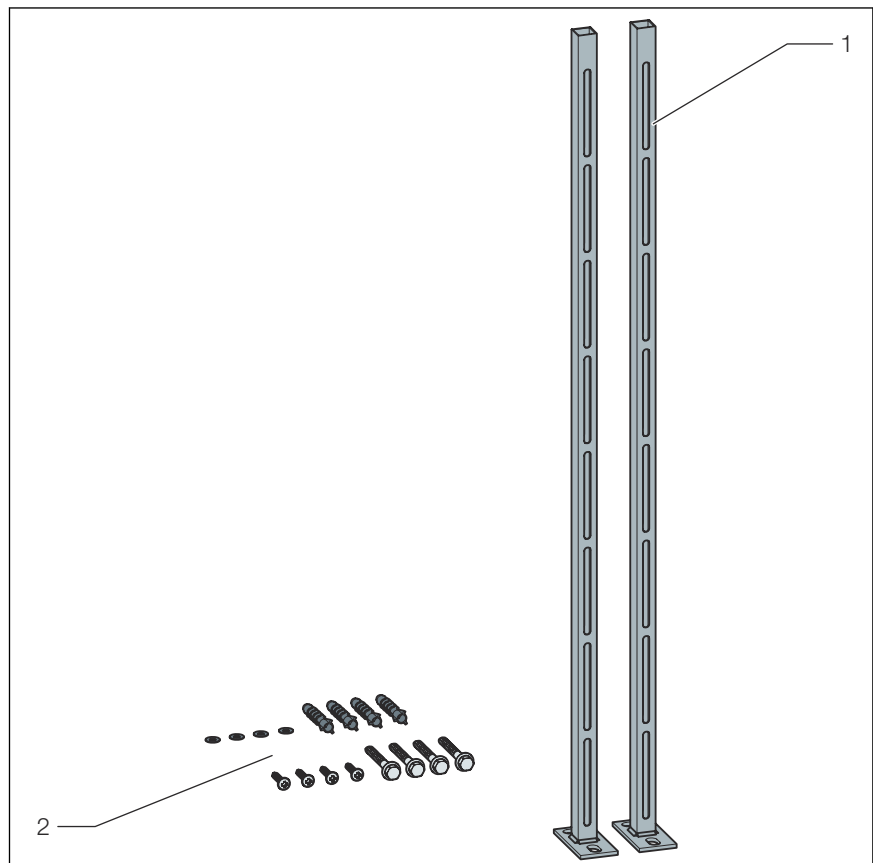


Fig. 1: Components

- 1 standing bracket
- 2 fixing material

3 Handling

3.1 Assembly information

3.1.1 Installation dimensions

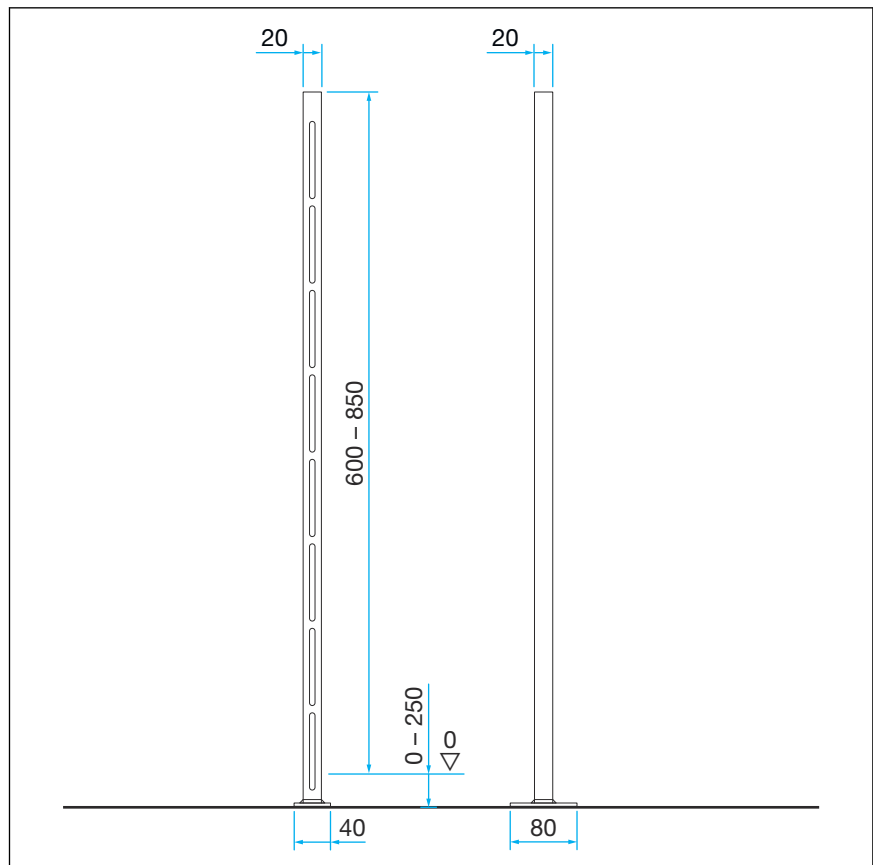
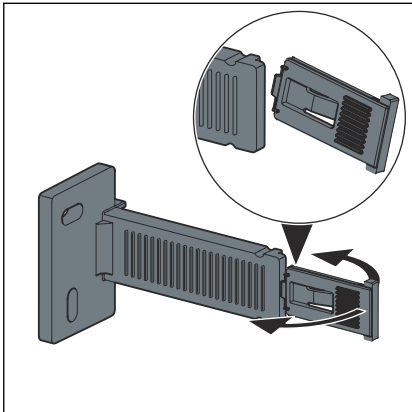


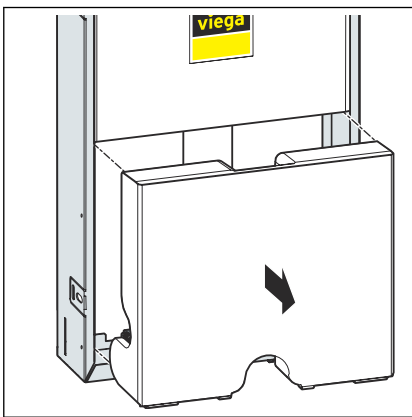
Fig. 2: Dimensions

3.2 Assembly

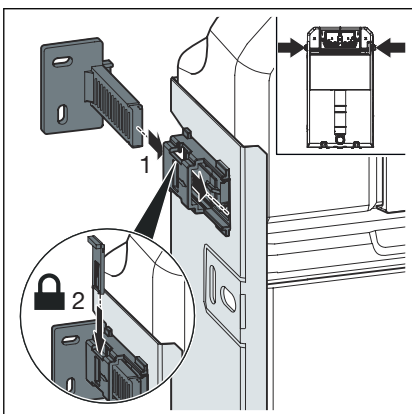
3.2.1 Mounting the standing bracket



➤ Break the locking clips off the wall mountings.



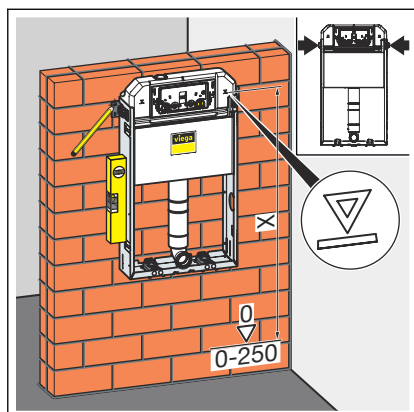
➤ Remove the protection box.



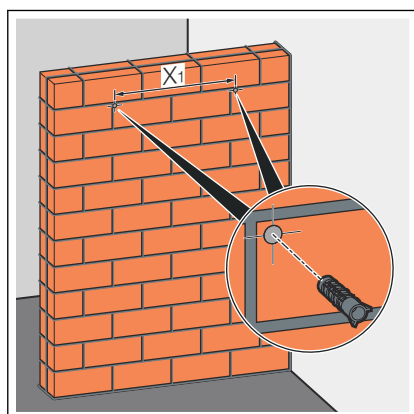
➤ Push the wall mountings into the element.

➤ Insert the locking clips.

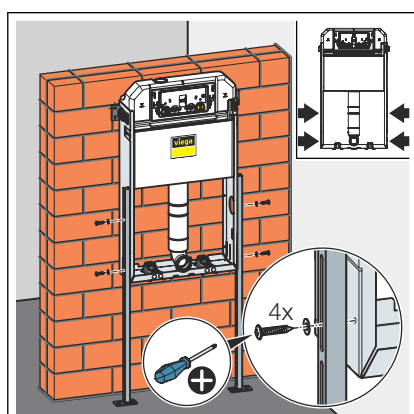
Mounting to a masonry wall



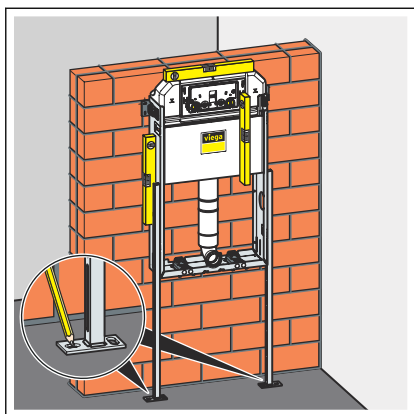
- Adjust the construction height of the WC block in accordance with the on-site marking of the upper edge of the finished floor.



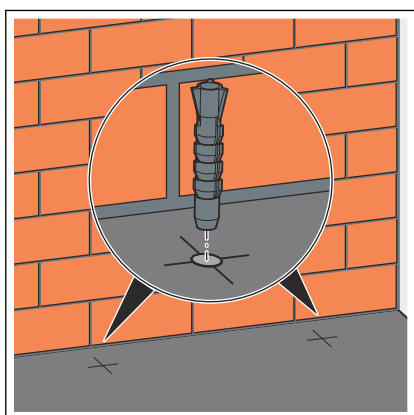
- Mark the fixing points on the wall.
- Drill the holes.



- Attach the standing bracket to the WC block.

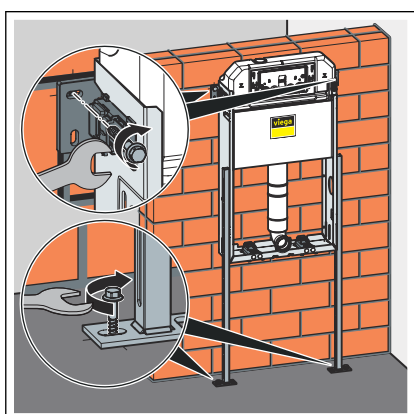


► Mark the holes on the floor.

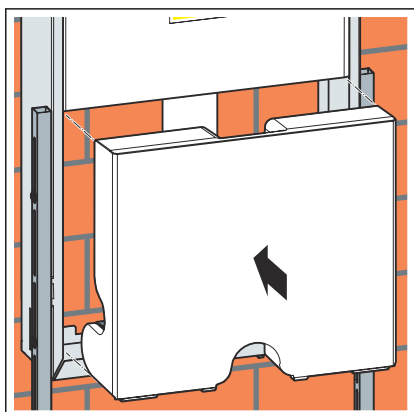


► Drill the holes.

► Insert the dowels.

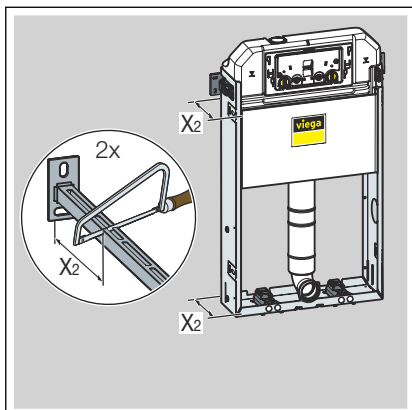


► Tighten the WC block and the standing bracket via the mounting brackets using a fork spanner.

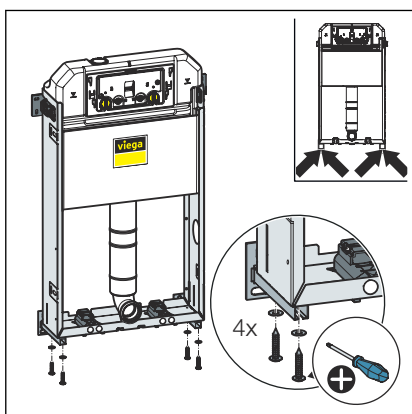


► Insert the protection box.

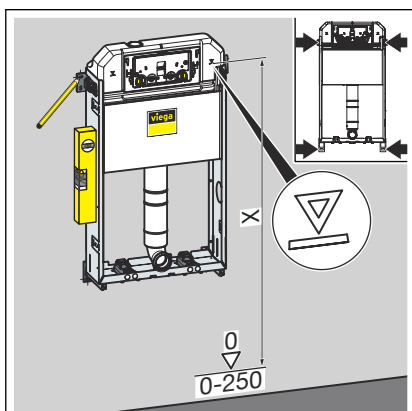
Mounting on a concrete wall



- Shorten the standing bracket.

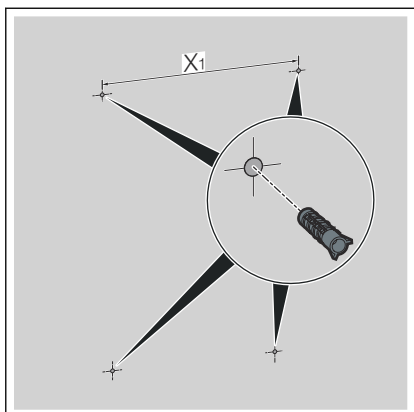


- Attach the standing bracket to the WC block.

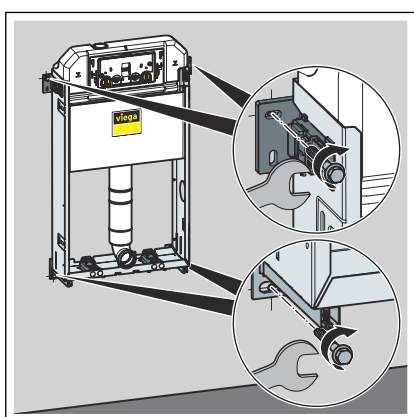


- Adjust the construction height of the WC block in accordance with the on-site marking of the upper edge of the finished floor.

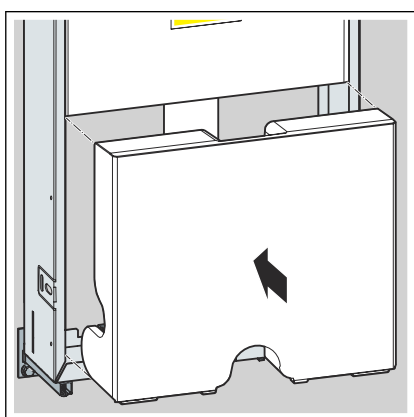
$$x = 1000 \text{ mm}$$



- Drill the holes.
- Insert the dowels.



- Tighten the WC block and the standing bracket via the mounting brackets using a fork spanner.



- Insert the protection box.

3.3 Disposal

Separate the product and packaging materials (e. g. paper, metal, plastic or non-ferrous metals) and dispose of in accordance with valid national legal requirements.



Viega GmbH & Co. KG
service-technik@viega.de
viega.com

INT • 2022-08 • VPN190232

