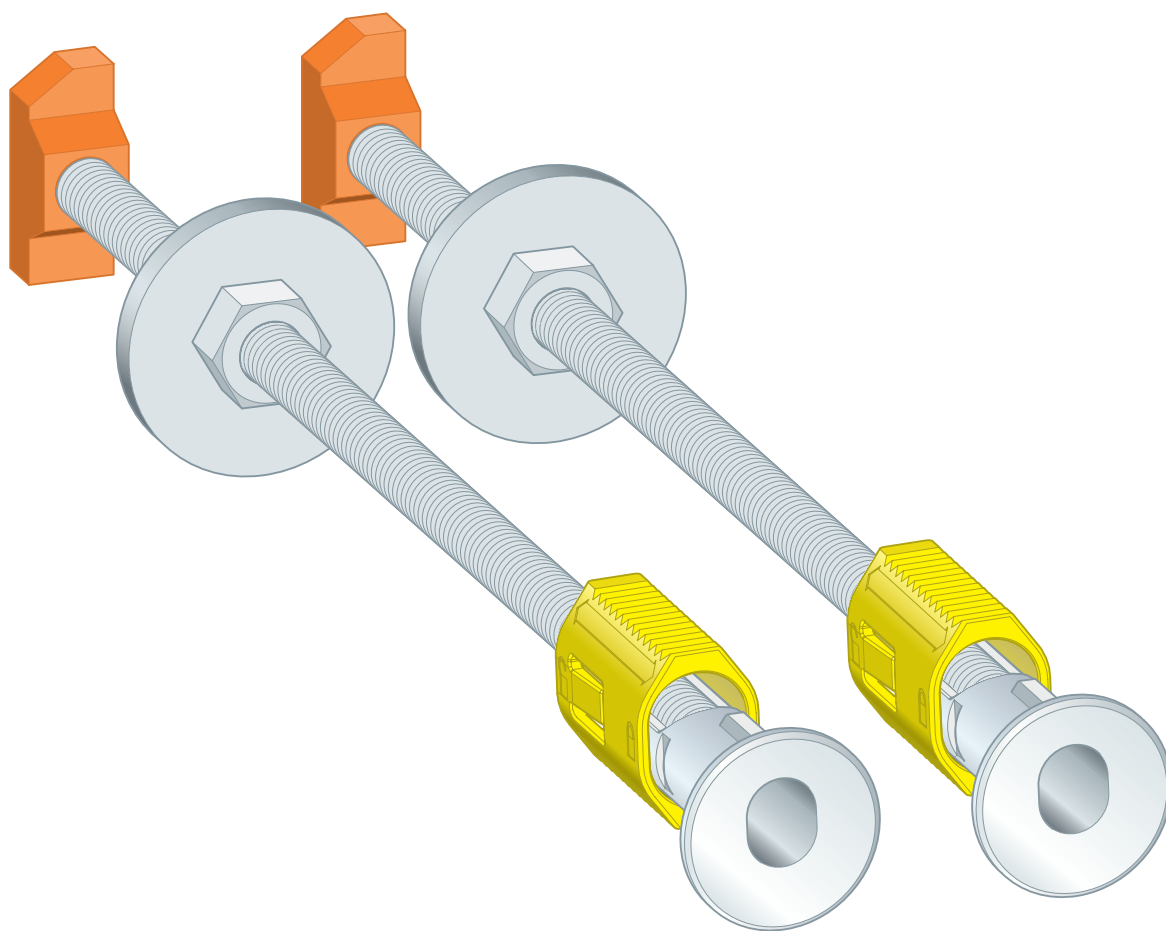


Instructions for Use

Prevista Dry Plus fixing set



for single mounting of Prevista Dry elements in Prevista Dry Plus

Model
8570.49

Year built (from)
01/2019

viega

Table of contents

1	About these instructions for use	3
	1.1 Target groups	3
	1.2 Labelling of notes	3
	1.3 About this translated version	4
2	Product information	5
	2.1 Intended use	5
	2.1.1 Areas of application	5
	2.2 Product description	5
	2.2.1 Overview	5
3	Handling	6
	3.1 Assembly	6
	3.1.1 Mounting the fixing set	6
	3.2 Disposal	9

1 About these instructions for use

Trade mark rights exist for this document; for further information, go to viega.com/legal.

1.1 Target groups

The information in this instruction manual is directed at the following groups of people:

- Heating and plumbing experts and trained personnel

Individuals without the abovementioned training or qualification are not permitted to mount, install and, if required, maintain this product. This restriction does not extend to possible operating instructions.

The installation of Viega products must take place in accordance with the general rules of engineering and the Viega instructions for use.

1.2 Labelling of notes

Warning and advisory texts are set aside from the remainder of the text and are labelled with the relevant pictographs.



DANGER!

This symbol warns of possible life-threatening injury.



WARNING!

This symbol warns of possible serious injury.



CAUTION!

This symbol warns of possible injury.



NOTICE!

This symbol warns of possible damage to property.



This symbol gives additional information and hints.

1.3 About this translated version

This instruction for use contains important information about the choice of product or system, assembly and commissioning as well as intended use and, if required, maintenance measures. The information about the products, their properties and application technology are based on the current standards in Europe (e.g. EN) and/or in Germany (e.g. DIN/DVGW).

Some passages in the text may refer to technical codes in Europe/Germany. These should serve as recommendations in the absence of corresponding national regulations. The relevant national laws, standards, regulations, directives and other technical provisions take priority over the German/European directives specified in this manual: The information herein is not binding for other countries and regions; as said above, they should be understood as a recommendation.

2 Product information

2.1 Intended use

2.1.1 Areas of application

The Prevista Dry Plus fixing set is used for mounting Prevista Dry Plus elements in a pre-wall construction Prevista Dry Plus.

2.2 Product description

2.2.1 Overview

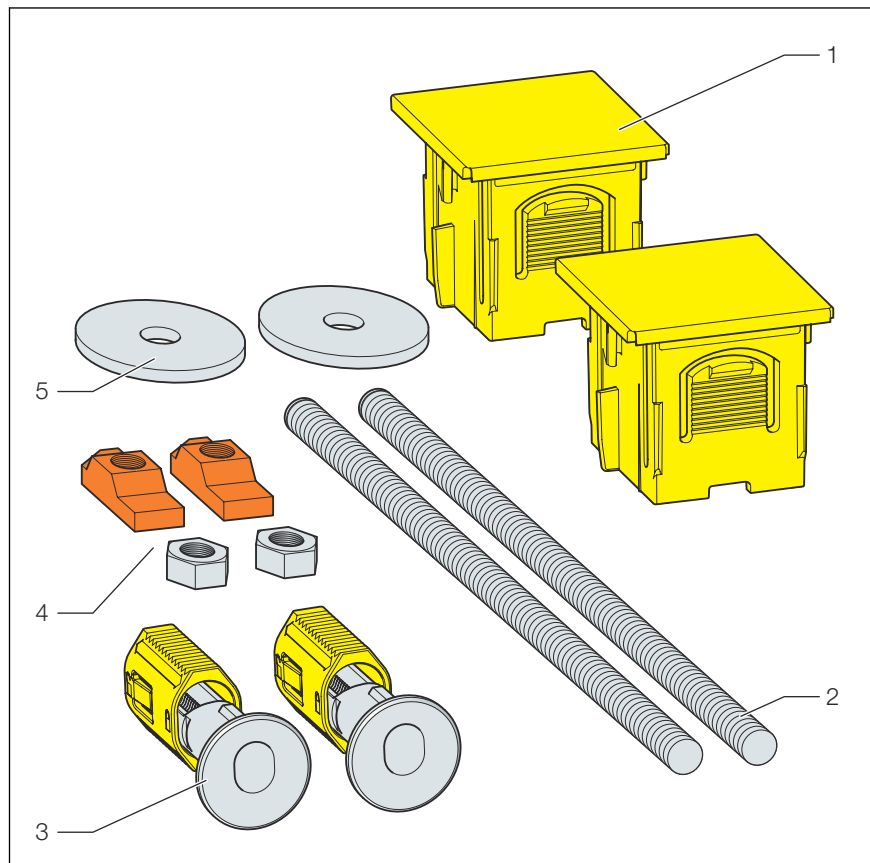


Fig. 1: Components

- 1 Caps
- 2 Threaded rods
- 3 Slide
- 4 Mounting bracket
- 5 washers

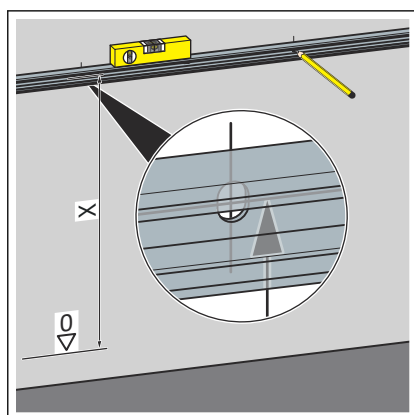
3 Handling

3.1 Assembly

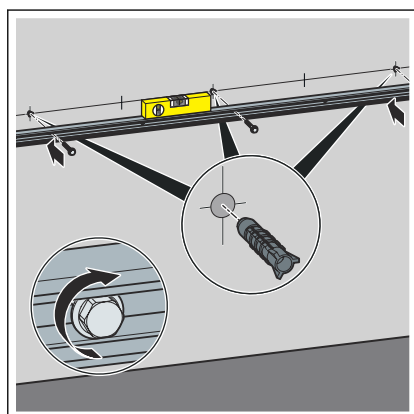
3.1.1 Mounting the fixing set



Mounting is shown by way of example of the Prevista Dry Plus WC element (model 8521).

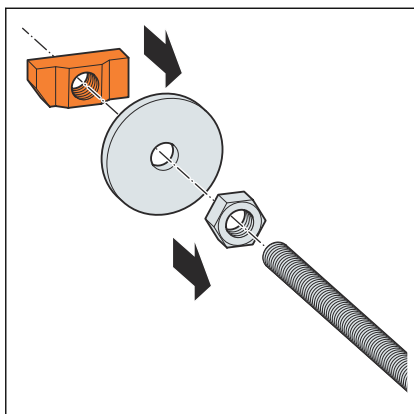


➤ Align the rail on the wall.

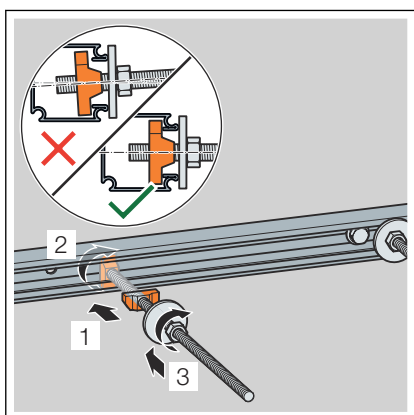


➤ Drill the holes.

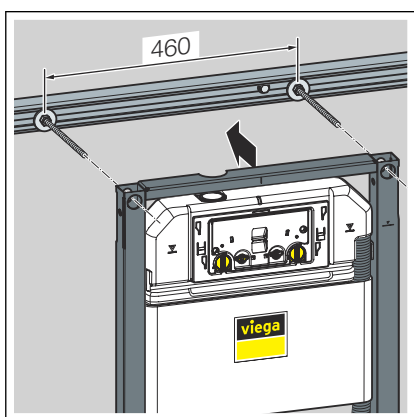
➤ Attach the rail to the wall.



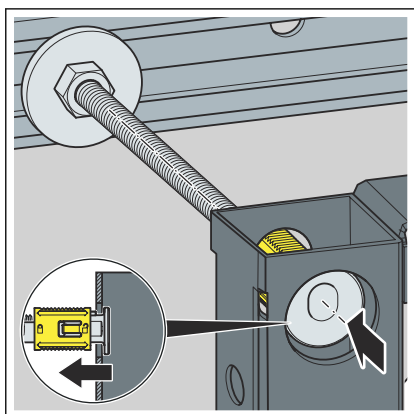
- Turn the nut on the threaded rod.
- Push the washer onto the threaded rod.
- Turn the slot nut onto the threaded rod.



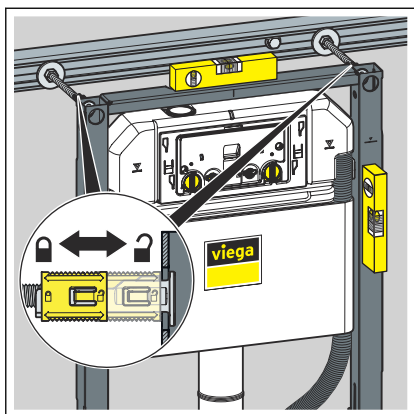
- Mount the threaded rods in the rail.



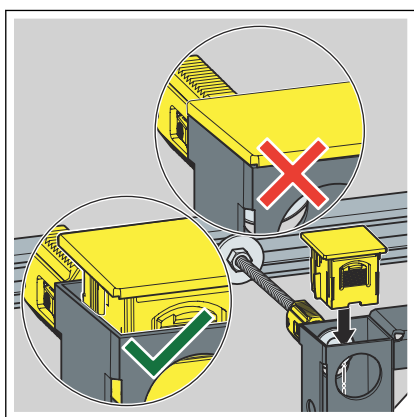
- Align the threaded rods for the element.



- Push the mounting bracket through the element on the threaded rods.

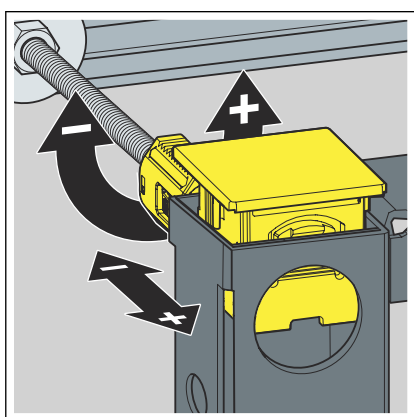


Align the element and use the lock slide to fix the mounting brackets to the threaded rods.

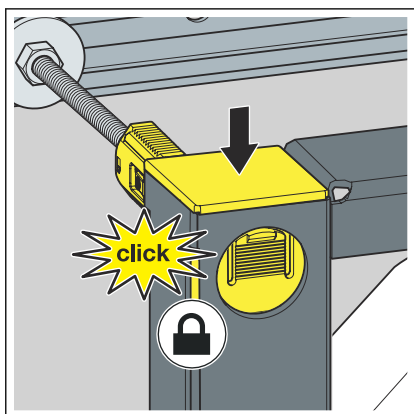


Loosely insert the caps.

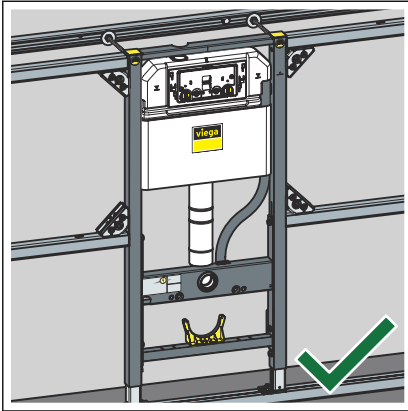
INFO! Do not press on the caps to engage them.



Re-adjust the alignment of the element using the threaded rods.



Push the caps down until they engage.



- The element is fixed in the Prevista Dry Plus pre-wall construction.

3.2 Disposal

Separate the product and packaging materials (e. g. paper, metal, plastic or non-ferrous metals) and dispose of in accordance with valid national legal requirements.



Viega GmbH & Co. KG
service-technik@viega.de
viega.com

INT • 2023-01 • VPN220215

