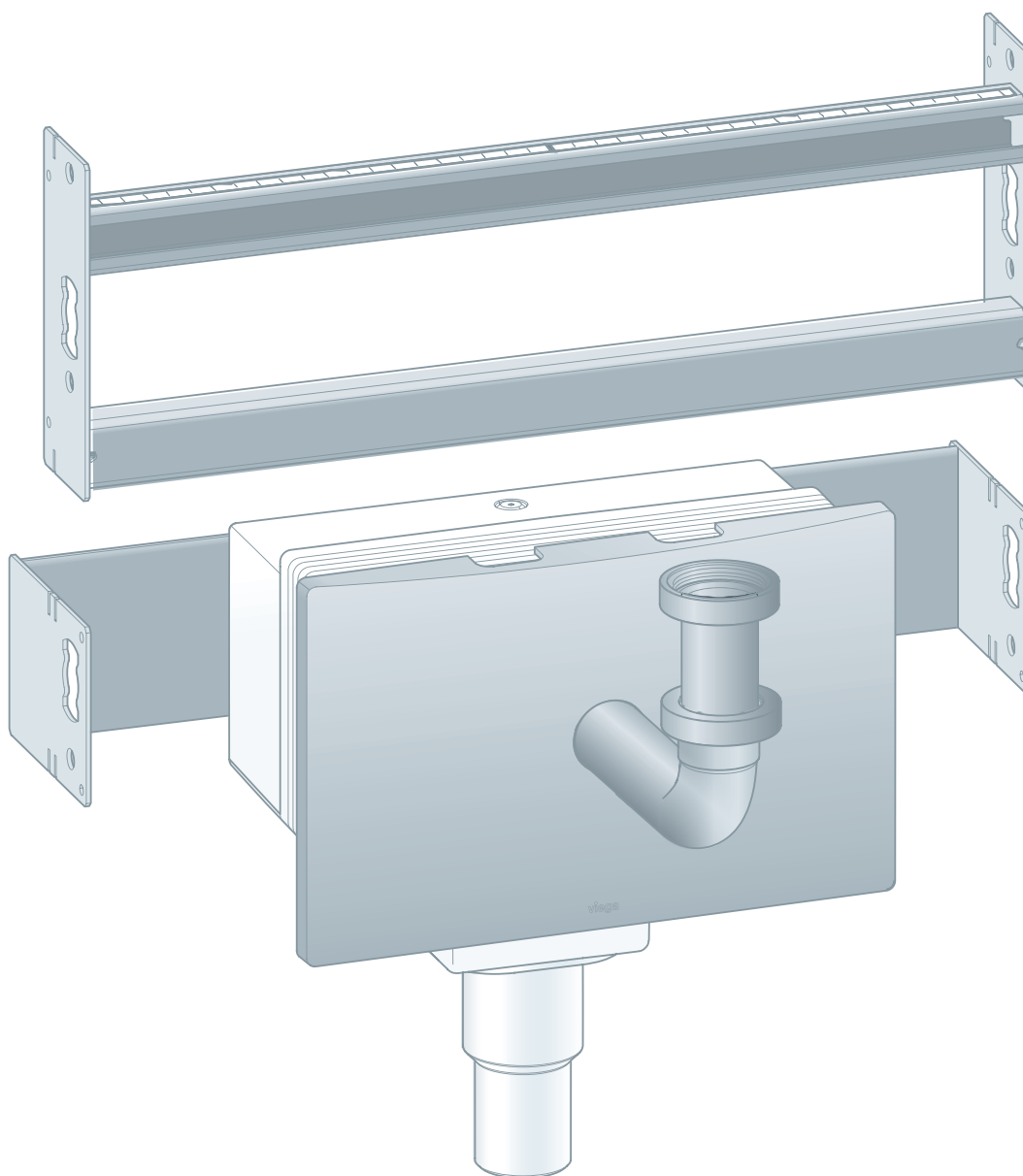


Instructions for Use

Prevista Dry Plus washbasin module with concealed connection box



for WB with single-hole fitting

Model
8545.32

Year built (from)
03/2019

viega

Table of contents

1	About these instructions for use	3
	1.1 Target groups	3
	1.2 Labelling of notes	3
	1.3 About this translated version	4
2	Product information	5
	2.1 Intended use	5
	2.1.1 Areas of application	5
	2.2 Product description	5
	2.2.1 Overview	5
	2.2.2 Compatible components	6
	2.2.3 Technical data	6
	2.3 Accessories and spare parts	7
3	Handling	8
	3.1 Assembly information	8
	3.1.1 Mounting conditions	8
	3.1.2 Installation dimensions	8
	3.2 Assembly	9
	3.2.1 Mounting module	9
	3.2.2 Set and clad the module	12
	3.3 Cleaning and maintenance	17
	3.4 Disposal	18

1 About these instructions for use

Trade mark rights exist for this document; for further information, go to viega.com/legal.

1.1 Target groups

The information in this instruction manual is directed at the following groups of people:

- Heating and plumbing experts and trained personnel
- Drywall builders

Individuals without the abovementioned training or qualification are not permitted to mount, install and, if required, maintain this product. This restriction does not extend to possible operating instructions.

The installation of Viega products must take place in accordance with the general rules of engineering and the Viega instructions for use.

1.2 Labelling of notes

Warning and advisory texts are set aside from the remainder of the text and are labelled with the relevant pictographs.



DANGER!

This symbol warns of possible life-threatening injury.



WARNING!

This symbol warns of possible serious injury.



CAUTION!

This symbol warns of possible injury.



NOTICE!

This symbol warns of possible damage to property.



This symbol gives additional information and hints.

1.3 About this translated version

This instruction for use contains important information about the choice of product or system, assembly and commissioning as well as intended use and, if required, maintenance measures. The information about the products, their properties and application technology are based on the current standards in Europe (e.g. EN) and/or in Germany (e.g. DIN/DVGW).

Some passages in the text may refer to technical codes in Europe/Germany. These should serve as recommendations in the absence of corresponding national regulations. The relevant national laws, standards, regulations, directives and other technical provisions take priority over the German/European directives specified in this manual: The information herein is not binding for other countries and regions; as said above, they should be understood as a recommendation.

2 Product information

2.1 Intended use

2.1.1 Areas of application

The Prevista Dry Plus washbasin module is designed for mounting in a Prevista Dry Plus pre-wall construction.

2.2 Product description

2.2.1 Overview

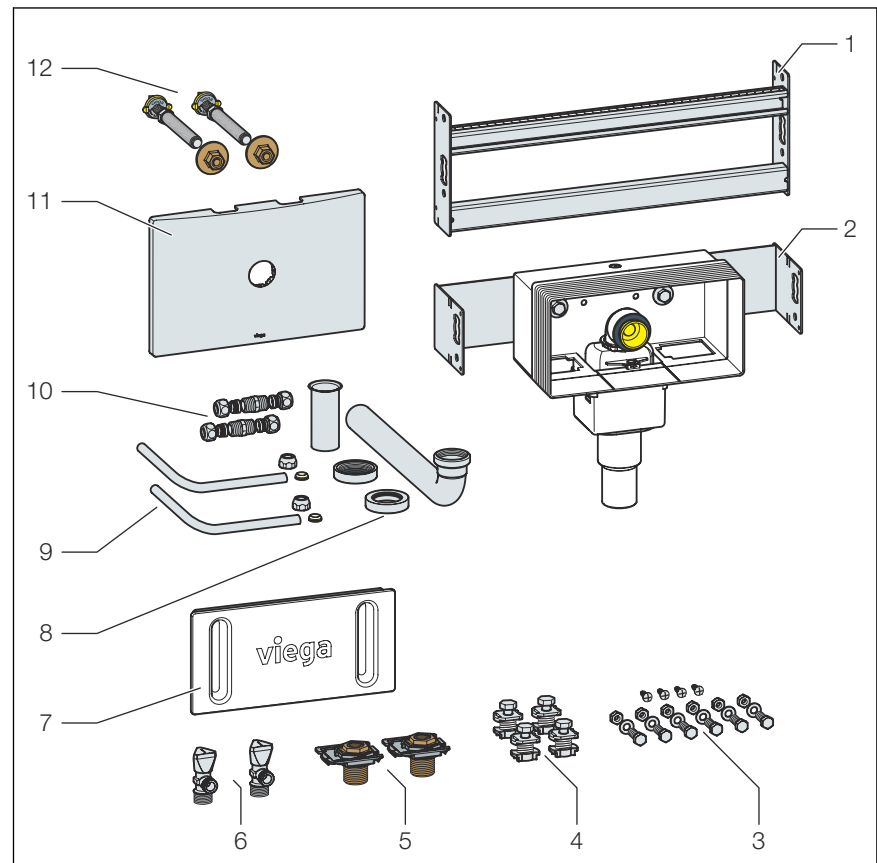


Fig. 1: Components and scope of delivery

- 1 Washbasin module
- 2 mounting bracket for concealed connection box
- 3 Screws for fixing in stud frame
- 4 Slot nuts
- 5 Screw fitting for corner valves
- 6 Corner valves
- 7 site protection for concealed connection box
- 8 Drain elbow
- 9 pipe elbows

- 10 compression fittings
- 11 Cover plate
- 12 Threaded rods for fixing sanitary objects

2.2.2 Compatible components

The washbasin module is compatible with all common washbasin ceramics, even with larger projection (barrier-free).

2.2.3 Technical data

Drain elbow (outlet side)	DN 40 / 50
Rubber nipple	DN 50 / 30

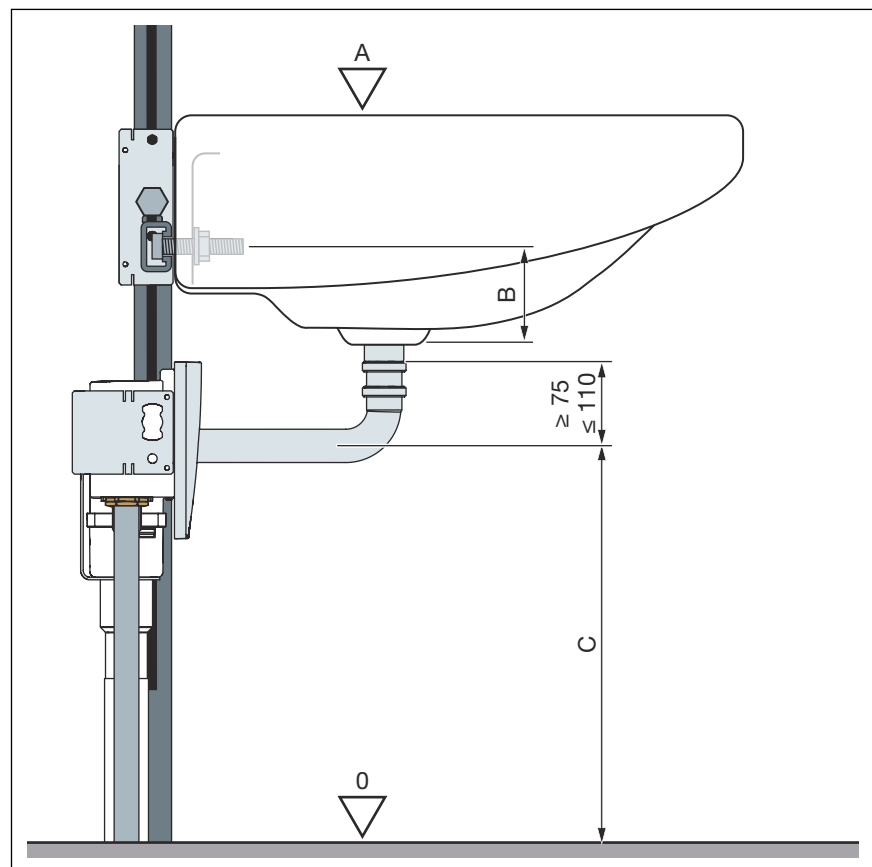
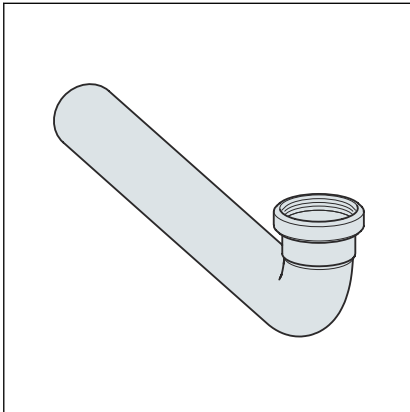


Fig. 2: Installation height

- A - 850 mm above UEFFL
- B - Observe the ceramic manufacturer's instructions
- C - Observe the ceramic manufacturer's instructions

2.3 Accessories and spare parts

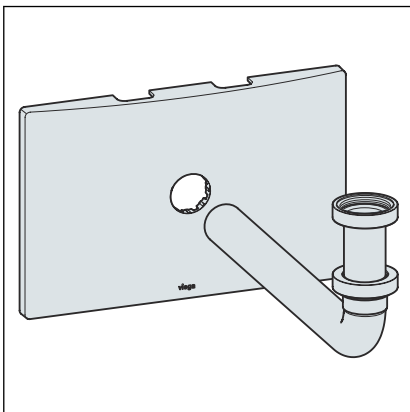
Spare parts



Drain elbow, model 8064.90, art. no. 743208

- chrome-plated
- with flanged rim

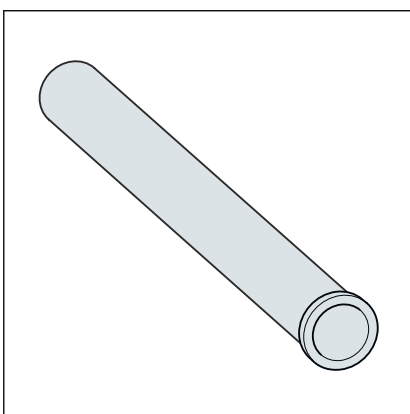
Fig. 3: drain elbow



Ready-to-install set, model 8314.5, art. no. 734848, consisting of

- Cover plate
- drain elbow
- drainpipe with flanged rim, 75 mm

Fig. 4: Ready-to-install set



Drainpipe, model 9945-143

- with flanged pipe
- suitable for the ready-to-install set, model 8314.5
- available in the following versions:
 - 75 mm, art. no. 121587
 - 120 mm, art. no. 670856
 - 150 mm, art. no. 670863

Fig. 5: drainpipe

3 Handling

3.1 Assembly information

3.1.1 Mounting conditions

Suitable walls

- Prevista Dry Plus pre-wall constructions

The washbasin module can only be mounted on even wall surfaces.

Construction height

With the construction height, the marked height of the upper edge of the finished floor must be observed.

3.1.2 Installation dimensions

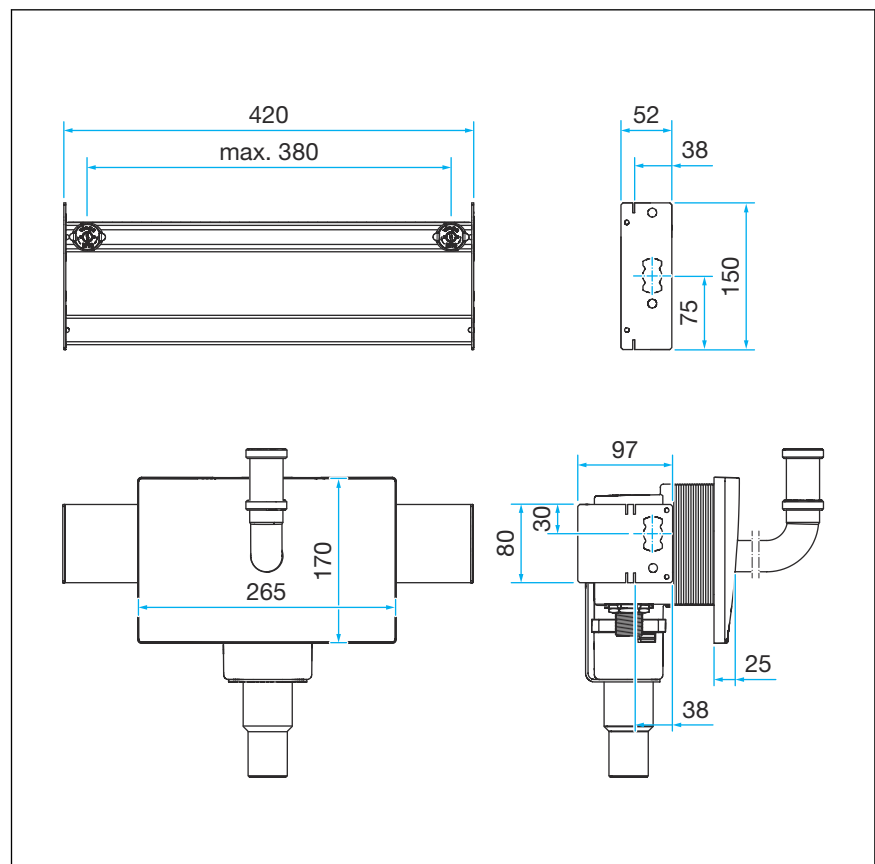
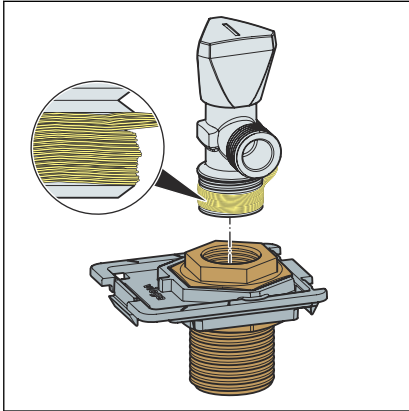


Fig. 6: Dimensions

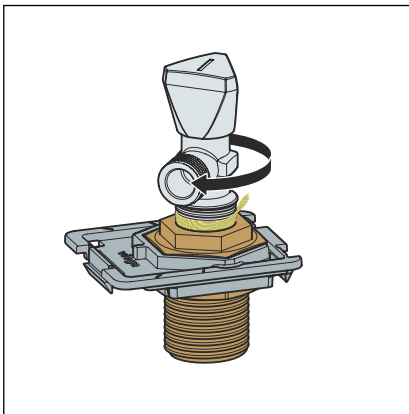
3.2 Assembly

3.2.1 Mounting module

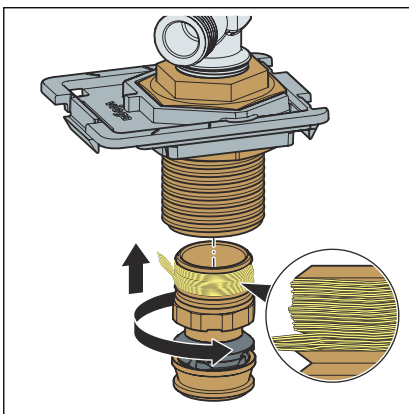
Preparing the concealed connection box



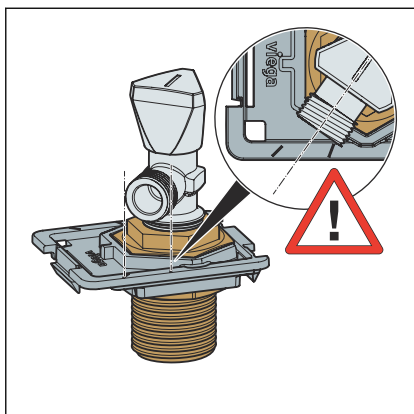
- Seal the corner valve (e.g. using hemp).



- Screw the corner valve into the screw fitting.

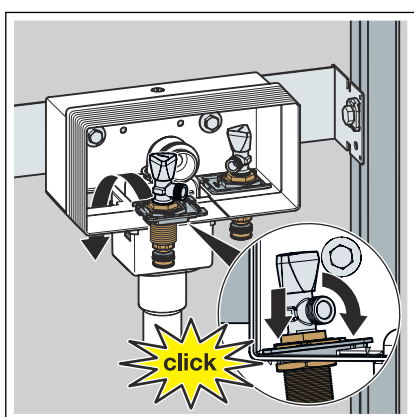


- Seal and screw in a suitable pipeline adapter.



INFO! Observe the additional markings when aligning the corner valves.

- Screw in until the connection to the washbasin fitting is between the markings.

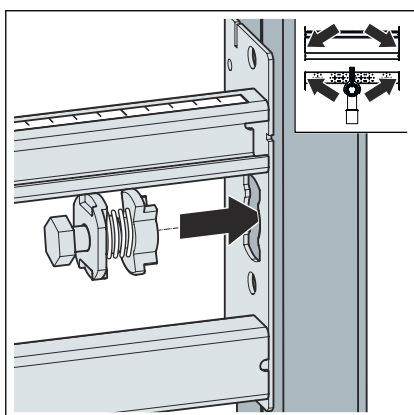


- Mount the entire seats in the concealed connection box.
 - ▷ The object can be heard locking into place.

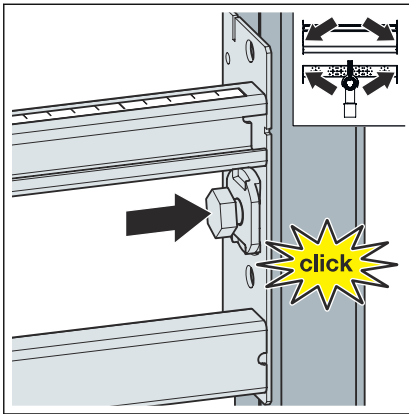
Mounting in Prevista Dry Plus



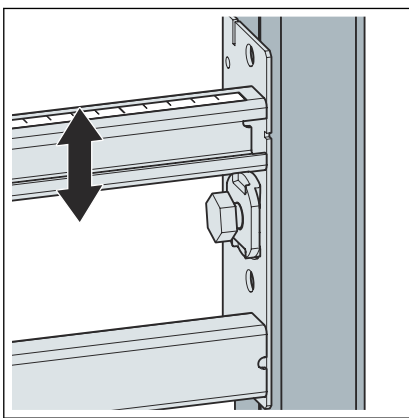
The two vertical rails, which surround the module, must be open towards the module and have an inner distance of 420 mm.



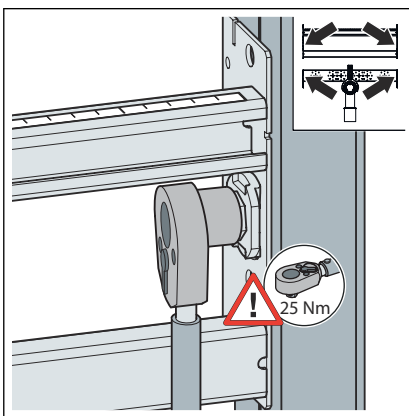
- Secure the module onto the open mounting rail with the slot nuts supplied:
 - Insert the slot nut into the opening of the module.



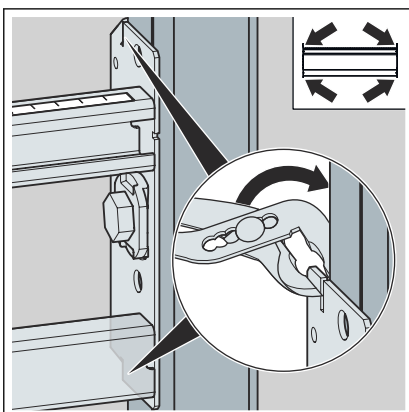
► Push the slot nut in until it engages.



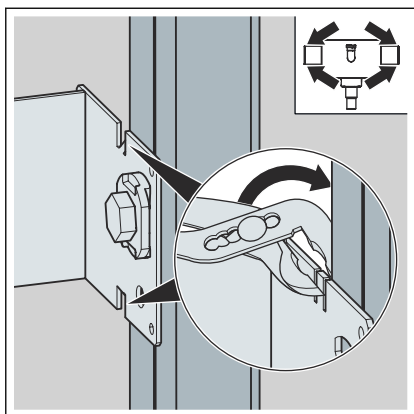
► Set the height of the rail.



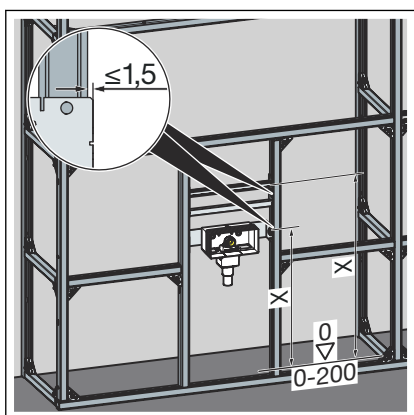
► Fasten the slot nut.



► Bend the sides of the metal bars of the rails.

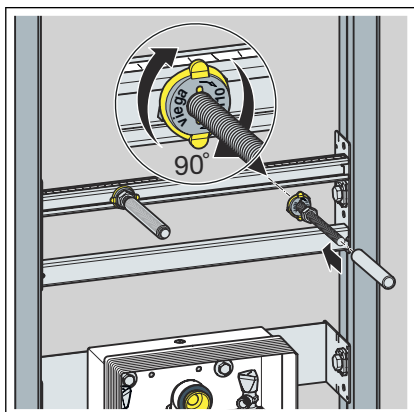


- Bend the sides of the metal bars of the fitting holder.

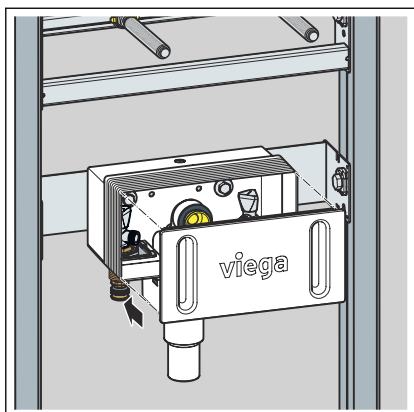


- Set the height of the module according to the ceramic manufacturer's instructions.

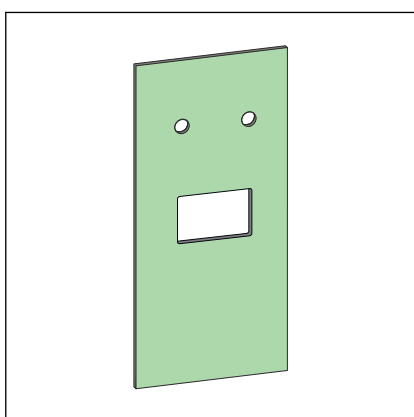
3.2.2 Set and clad the module



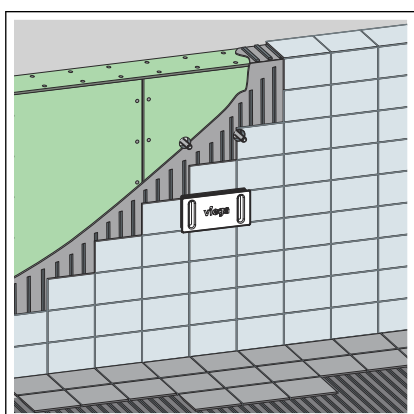
- Turn in the threaded rods by hand.
- Tighten the nuts of the threaded rods with a fork spanner (size 17).
- Place the protective caps on the threaded rods.
- Make the water connections.



► Attach the site protection from the concealed connection box.

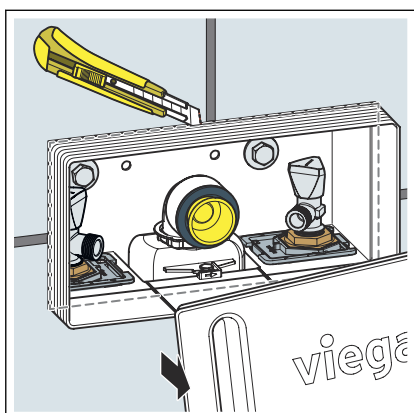


► Cut the plasterboard cladding panel to size.

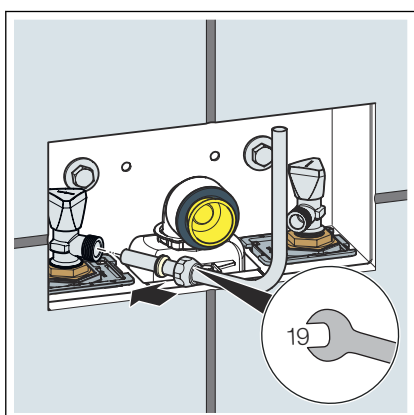


► Clad the module with suitable plasterboard cladding panels.

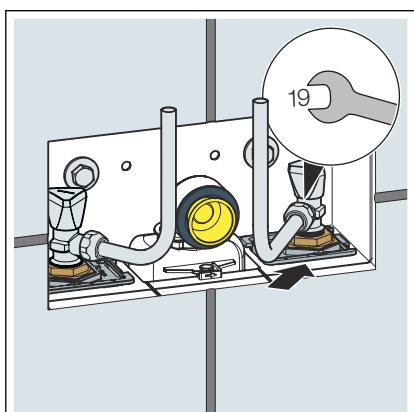
Final assembly of the concealed connection box



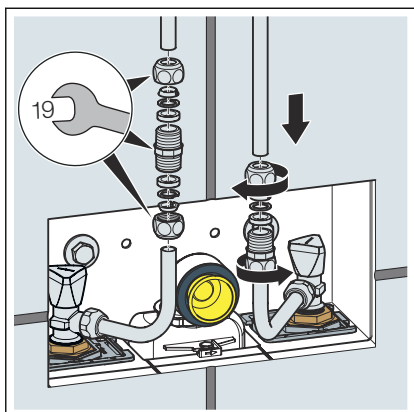
- Remove the site protection.
- Cut the shaft of the concealed connection box at tile-level.



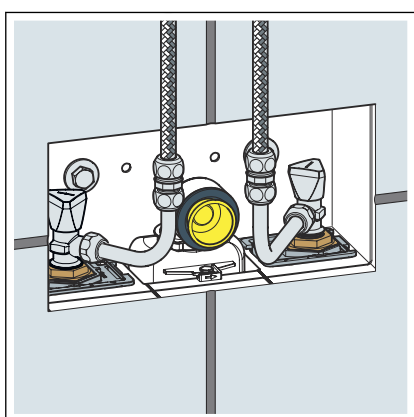
- Manufacture the connection for the washbasin fitting on one side using the copper pipe supplied.
If necessary, cut the chrome-plated pipe elbow supplied to the corresponding length.



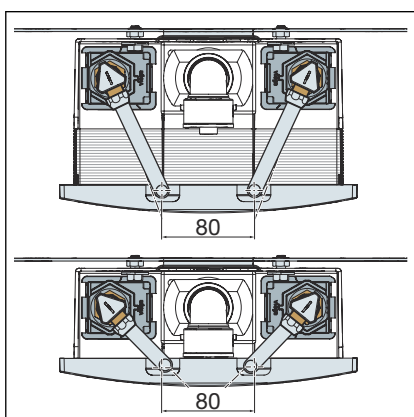
- Manufacture the second connection on the other side in the same way.



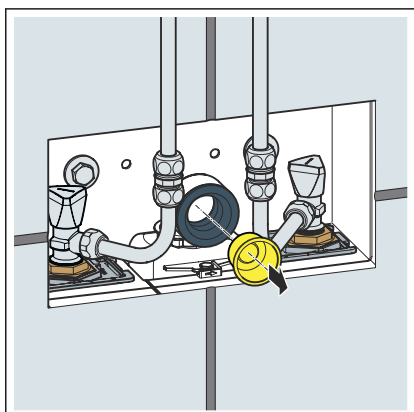
- Shorten the copper pipe. The connection of the compression fitting must be within the concealed connection box.
- Mount the compression fitting.



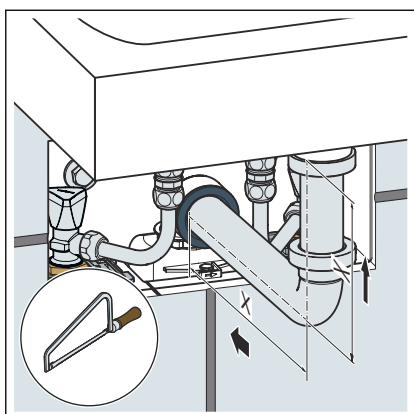
- Optionally, connect the washbasin fitting to the concealed connection box using flexible hoses.



- Align the corner valves.
When doing so, align the pipe elbow to the marking aid (line on the concealed connection box).

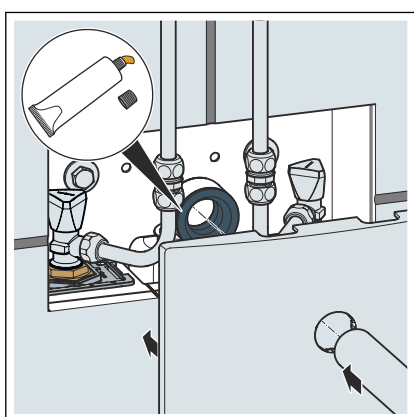


- Remove the plug.

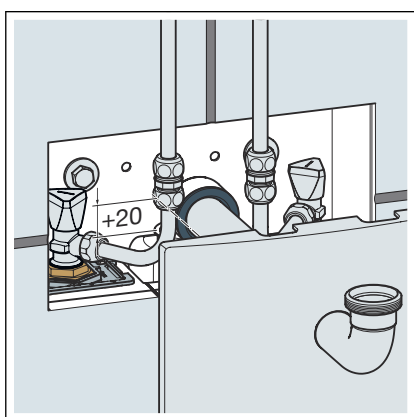


- Insert the drain elbow into the lip seal of the odour trap.
- If applicable, identify sizes on the drain elbow and adjusting pipe that may have to be shortened.

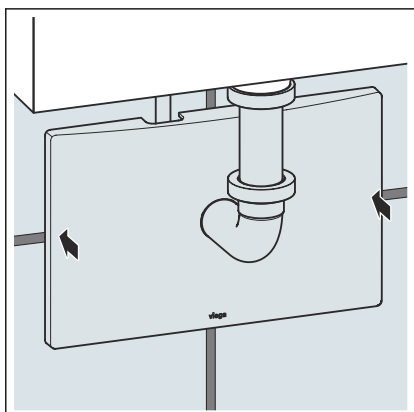
The sizes are marked in the diagram with X and are dependent on the chosen ceramic.



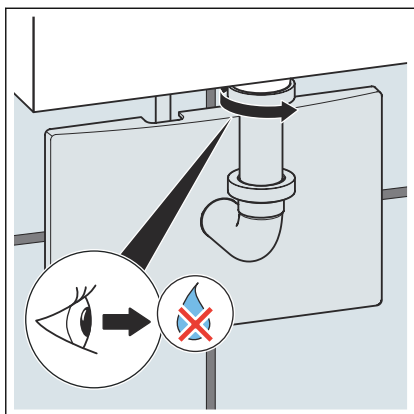
- Deburr the cut edge.
- Grease the lip seal.
- Insert the drain elbow through the cover plate into the lip seal of the odour trap.



- Set the odour trap to the right size at the height.
- The vertical setting range is 20 mm.



- Attach the cover plate to the concealed connection box.
- The lateral supports serve as a safeguard against distortion.



- Turn the drain elbow to the right and in doing so secure it to the washbasin.
- Check for leak tightness.

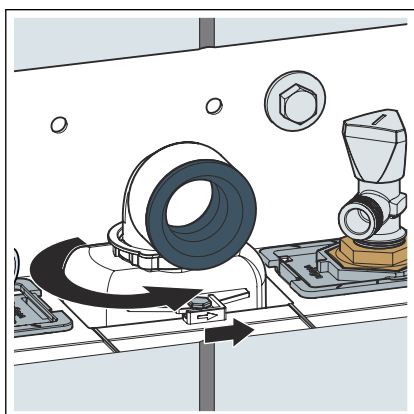
3.3 Cleaning and maintenance

Cleaning the concealed odour trap

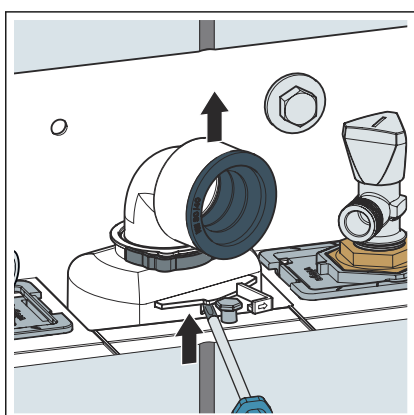
Requirement:

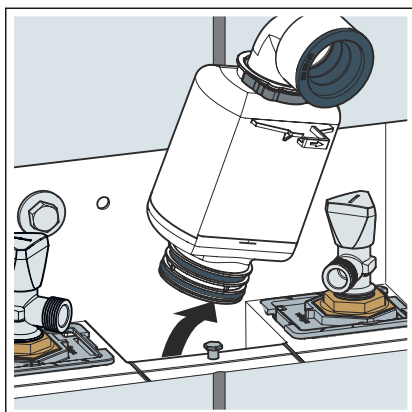
- The odour trap must be freely accessible.
- Cut the water supply.
- Disconnect the water line from the corner valve.
- Turn the odour trap anti-clockwise.

When doing so, unlatch the clip to the right.

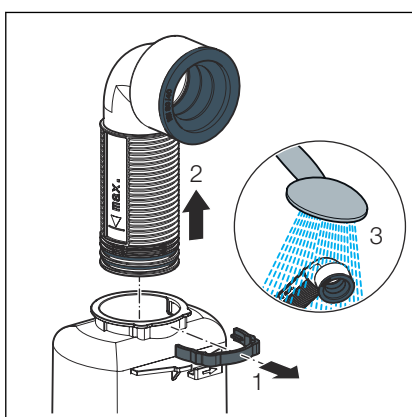


- Lift up the odour trap.



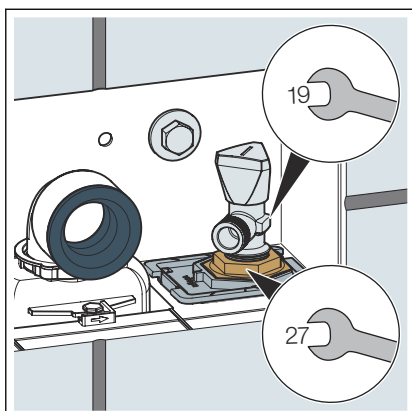


- Remove the odour trap for cleaning.



- Pull out the adjusting pipe upwards to clean.
- Clean the odour trap.

Replacing corner valves



- Cut the water supply.
- When replacing the corner valve, counter the screw fitting with a spanner (size 27).

3.4 Disposal

Separate the product and packaging materials (e. g. paper, metal, plastic or non-ferrous metals) and dispose of in accordance with valid national legal requirements.



Viega GmbH & Co. KG
service-technik@viega.de
viega.com

INT • 2023-01 • VPN210843

