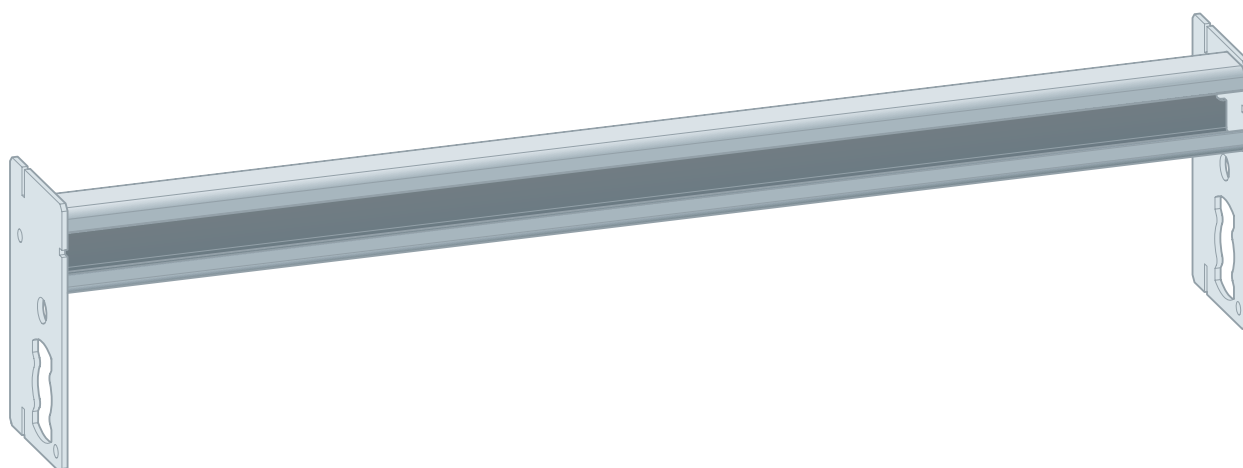


Instructions for Use

Prevista Dry Plus fixing rail for heavy loads



For hot water tank, pipes in self-supporting installation shafts

Model
8570.35

Year built (from)
11/2018

viega

Table of contents

1	About these instructions for use	3
	1.1 Target groups	3
	1.2 Labelling of notes	3
	1.3 About this translated version	4
2	Product information	5
	2.1 Intended use	5
	2.1.1 Areas of use	5
	2.2 Product description	5
	2.2.1 Overview	5
3	Handling	6
	3.1 Assembly information	6
	3.1.1 Installation dimensions	6
	3.2 Assembly	7
	3.2.1 Mounting in Prevista Dry Plus	7
	3.3 Disposal	8

1 About these instructions for use

Trade mark rights exist for this document; for further information, go to viega.com/legal.

1.1 Target groups

The information in this instruction manual is directed at the following groups of people:

- Heating and sanitary professionals and trained personnel
- Drywall builder

Individuals without the abovementioned training or qualification are not permitted to mount, install and, if required, maintain this product. This restriction does not extend to possible operating instructions.

The installation of Viega products must take place in accordance with the general rules of engineering and the Viega instructions for use.

1.2 Labelling of notes

Warning and advisory texts are set aside from the remainder of the text and are labelled with the relevant pictographs.



DANGER!

This symbol warns of possible life-threatening injury.



WARNING!

This symbol warns of possible serious injury.



CAUTION!

This symbol warns of possible injury.



NOTICE!

This symbol warns of possible damage to property.



This symbol gives additional information and hints.

1.3 About this translated version

This instruction for use contains important information about the choice of product or system, assembly and commissioning as well as intended use and, if required, maintenance measures. The information about the products, their properties and application technology are based on the current standards in Europe (e.g. EN) and/or in Germany (e.g. DIN/DVGW).

Some passages in the text may refer to technical codes in Europe/Germany. These should serve as recommendations in the absence of corresponding national regulations. The relevant national laws, standards, regulations, directives and other technical provisions take priority over the German/European directives specified in this manual: The information herein is not binding for other countries and regions; as said above, they should be understood as a recommendation.

2 Product information

2.1 Intended use

2.1.1 Areas of use

The Prevista Dry Plus fixing rail is used to fasten hot water tanks and pipelines in free-standing installation shafts in a Prevista Dry Plus pre-wall construction.

2.2 Product description

2.2.1 Overview

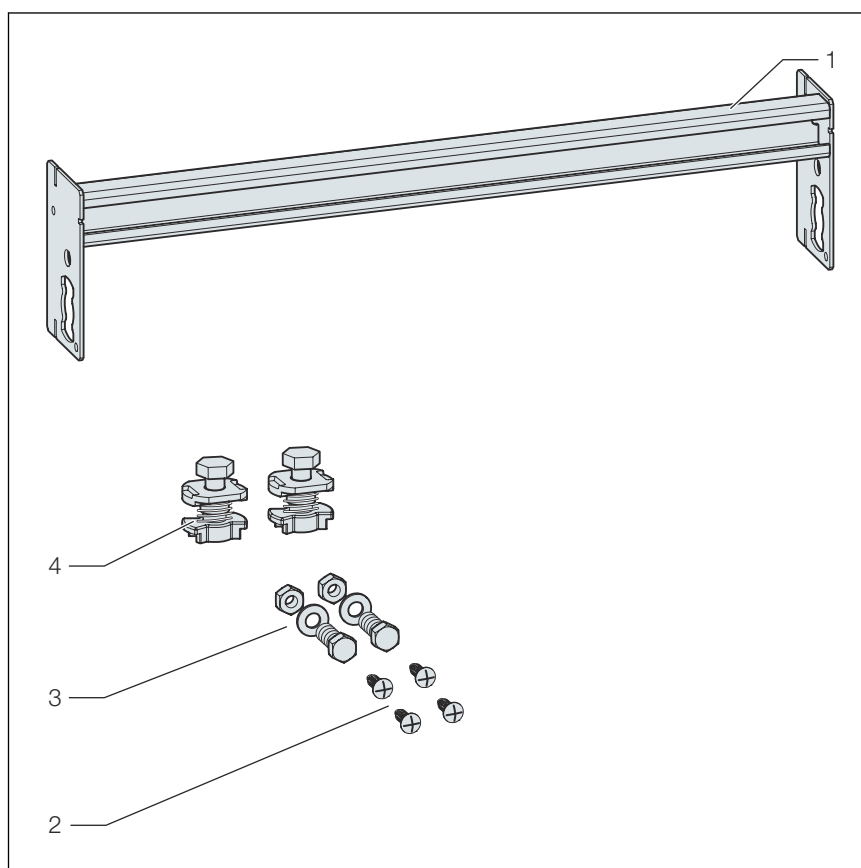


Fig. 1: Component overview

- 1 Prevista Dry Plus fixing rail
- 2 Screws for fixing
- 3 Screws for fixing
- 4 slot nuts

3 Handling

3.1 Assembly information

3.1.1 Installation dimensions

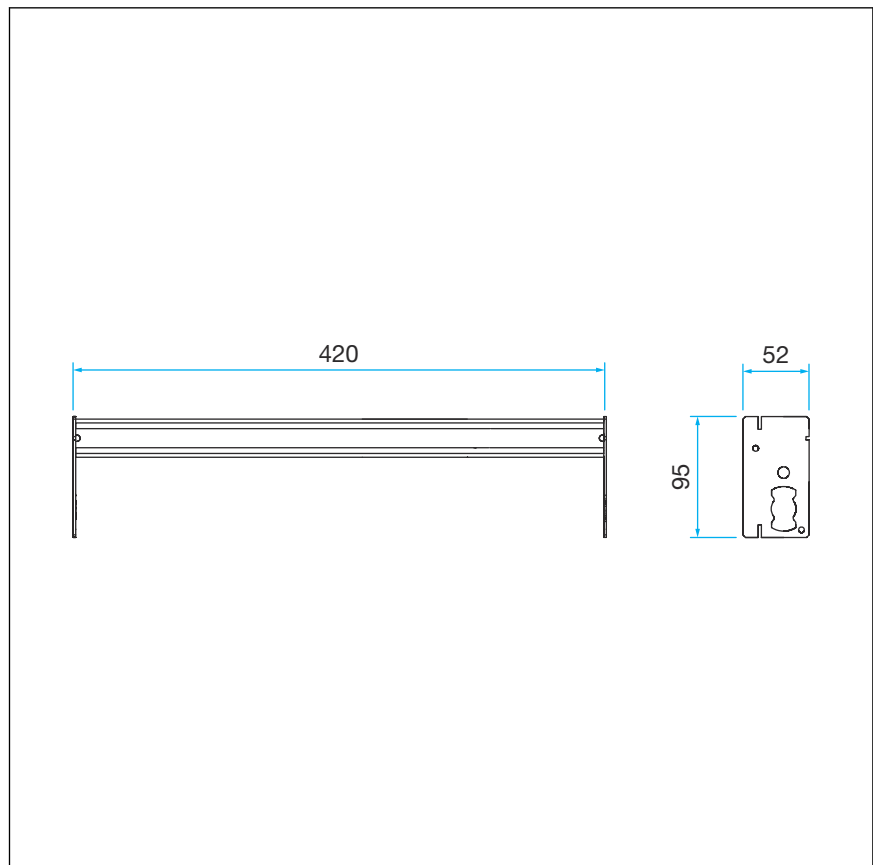
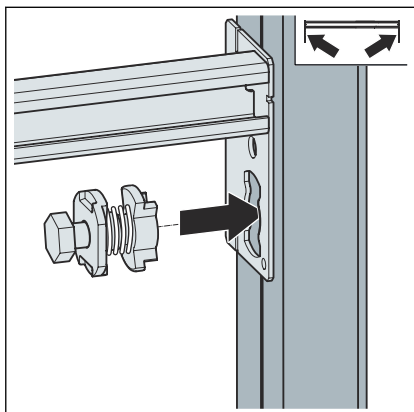


Fig. 2: Dimensions

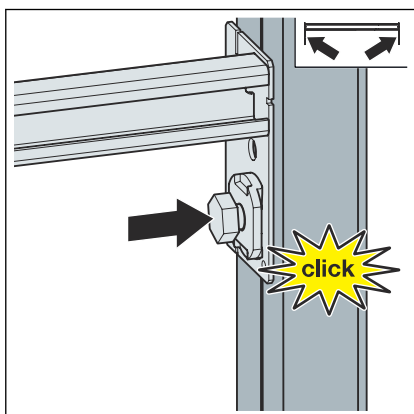
3.2 Assembly

3.2.1 Mounting in Prevista Dry Plus

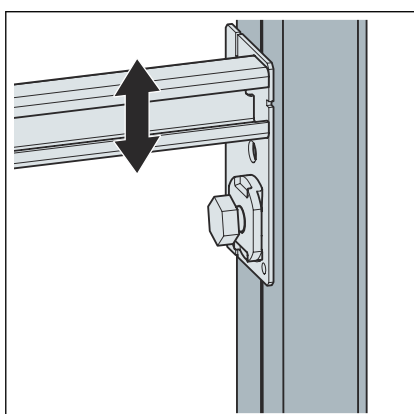


- Attach the fixing rail onto the open mounting rail using the slot nuts supplied.

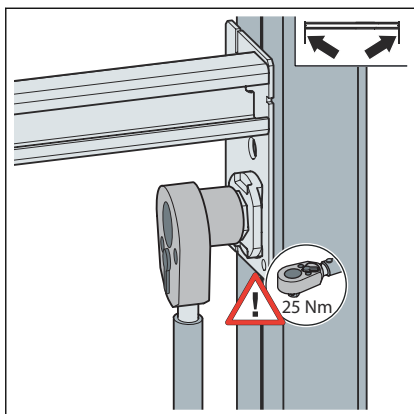
Insert the slot nut into the opening of the fixing rail.



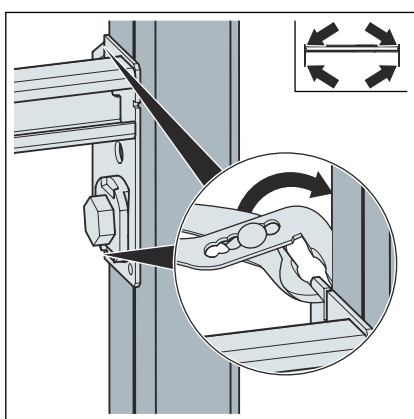
- Push the slot nut in until it engages.



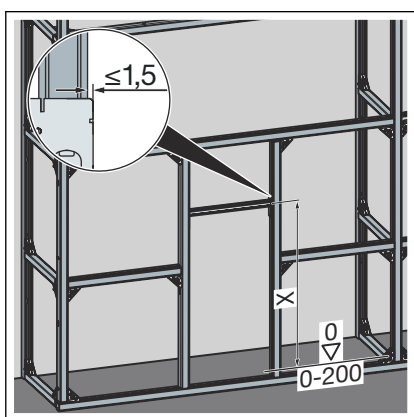
- Set the height of the fixing rail.



► Fasten the slot nut.



► Bend the sides of the metal bars of the fixing element.



► Set the height of the fixing rail.

3.3 Disposal

Separate the product and packaging materials (e. g. paper, metal, plastic or non-ferrous metals) and dispose of in accordance with valid national legal requirements.



Viega GmbH & Co. KG
service-technik@viega.de
viega.com

INT • 2022-08 • VPN180525

