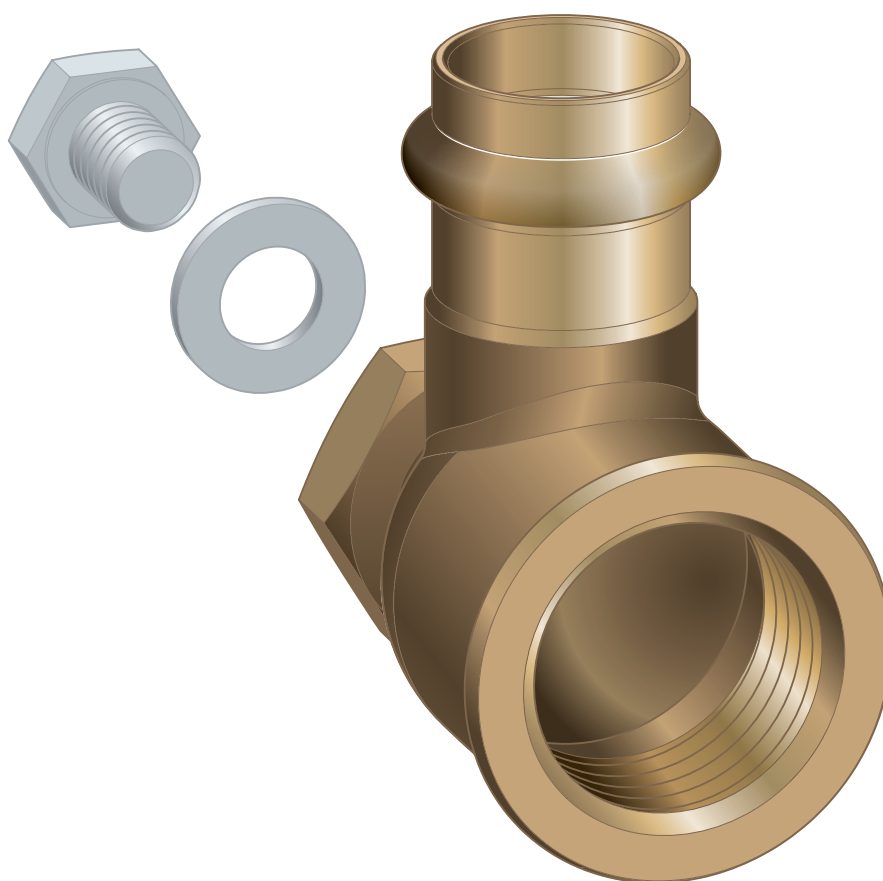


Instructions for Use

Profipress G 90° connection elbow with SC-Contur



suitable for base plate model 2624, 2624.1

Model
2614.6

Year built (from)
02/2003

viega

Table of contents

1	About these instructions for use	3
	1.1 Target groups	3
	1.2 Labelling of notes	3
	1.3 About this translated version	4
2	Product information	5
	2.1 Standards and regulations	5
	2.2 Intended use	6
	2.2.1 Areas of application	6
	2.2.2 Media	6
	2.3 Product description	7
	2.3.1 Overview	7
3	Handling	8
	3.1 Assembly	8
	3.1.1 Installing the single nozzle gas meter for single mounting	8
	3.1.2 Installing the double-pipe gas meter for single mounting	10
	3.1.3 Installing the single-pipe gas meter for line mounting	13
	3.1.4 Fitting double pipe gas meters for line installation	15
	3.1.5 Leakage test	17
	3.2 Maintenance	18
	3.3 Disposal	18

1 About these instructions for use

Trade mark rights exist for this document; for further information, go to viega.com/legal.

1.1 Target groups

The information in this manual is directed at heating and sanitary professionals and trained personnel.

Individuals without the abovementioned training or qualification are not permitted to mount, install and, if required, maintain this product. This restriction does not extend to possible operating instructions.

The installation of Viega products must take place in accordance with the general rules of engineering and the Viega instructions for use.

1.2 Labelling of notes

Warning and advisory texts are set aside from the remainder of the text and are labelled with the relevant pictographs.



DANGER!

This symbol warns of possible life-threatening injury.



WARNING!

This symbol warns of possible serious injury.



CAUTION!

This symbol warns of possible injury.



NOTICE!

This symbol warns of possible damage to property.



This symbol gives additional information and hints.

1.3 About this translated version

This instruction for use contains important information about the choice of product or system, assembly and commissioning as well as intended use and, if required, maintenance measures. The information about the products, their properties and application technology are based on the current standards in Europe (e.g. EN) and/or in Germany (e.g. DIN/DVGW).

Some passages in the text may refer to technical codes in Europe/Germany. These should serve as recommendations in the absence of corresponding national regulations. The relevant national laws, standards, regulations, directives and other technical provisions take priority over the German/European directives specified in this manual: The information herein is not binding for other countries and regions; as said above, they should be understood as a recommendation.

2 Product information

2.1 Standards and regulations

The following standards and regulations apply to Germany / Europe and are provided as a support feature.

Regulations from section: Application areas

Scope / Notice	Regulations applicable in Germany
Planning, execution, modification and operation of gas installations	DVGW-TRGI 2018
Gas installations for industrial, commercial and process plants	DVGW-Arbeitsblatt G 5614
Gas installations for industrial, commercial and process plants	DVGW-Arbeitsblatt G 462
Gas installations for industrial, commercial and process plants	DVGW-Arbeitsblatt G 459-1
Gas installations for industrial, commercial and process plants	DVGW-Fachinformation Nr. 10
Planning, execution, modification and operation of liquid gas installations	DVFG-TRF 2021

Regulations from section: Media

Scope / Notice	Regulations applicable in Germany
Suitability for gases Liquid gas in the gaseous state	DVGW-Arbeitsblatt G 260

Regulations from section: Leakage test

Scope / Notice	Regulations applicable in Germany
Leakage test for gas installations	DVGW-TRGI 2018, Point 5.6
Testing and initial commissioning of a liquid gas system	DVFG-TRF 2021, Point 8

Regulations from section: Maintenance

Scope / Notice	Regulations applicable in Germany
Ensuring and maintaining a safe operating condition of gas installations	DVGW-TRGI 2018, Appendix 5c

2.2 Intended use



Agree the use of the model for areas of application and media other than those described with Viega.

2.2.1 Areas of application

Use is possible in the following areas among others:

- Gas installations, see ↪ *'Regulations from section: Application areas' on page 5*
- Liquid gas installations, also see ↪ *'Regulations from section: Application areas' on page 5.*

2.2.2 Media

The model is also suitable for the following media, amongst others:

For the applicable directives, see ↪ *'Regulations from section: Media' on page 5.*

- Gases
- Liquid gases, only in the gaseous state for domestic and commercial applications

2.3 Product description

2.3.1 Overview

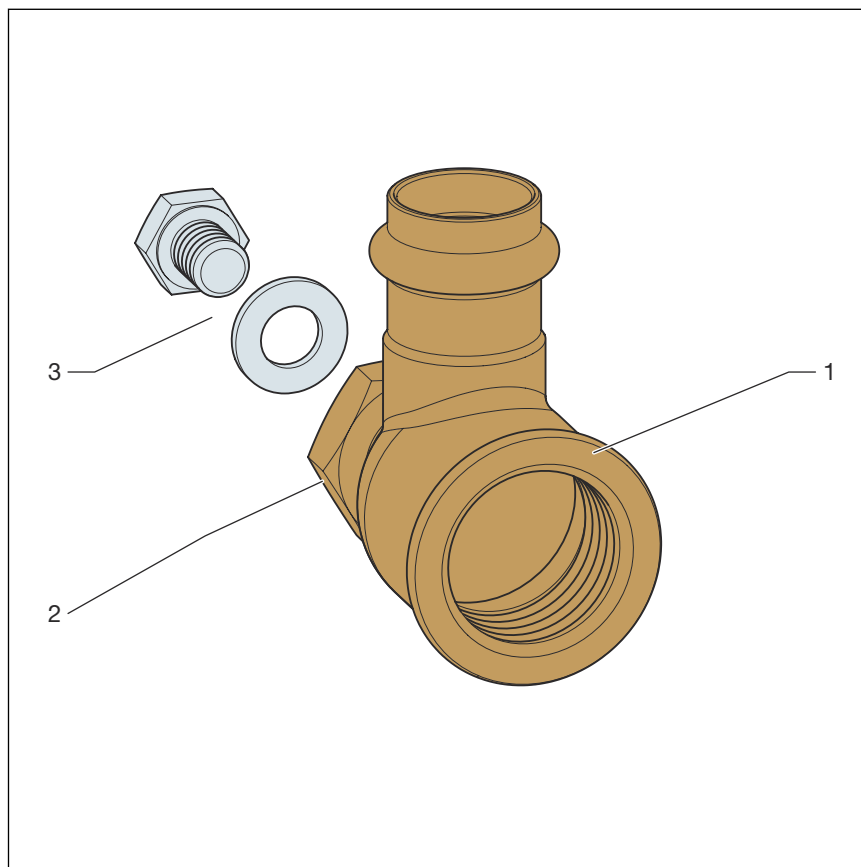


Fig. 1: Overview

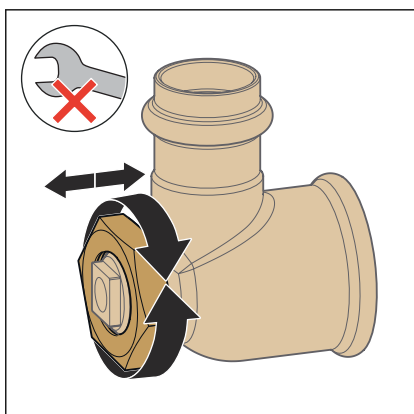
- 1 Profipress G 90° connection elbow
- 2 Nut M20x1.5 SW30
- 3 Hexagon head screw M10x12 mm, washer 11x20x2

The model is suitable for the base plates model 2624 and model 2624.1.

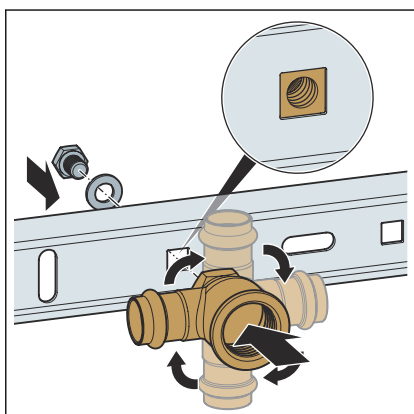
3 Handling

3.1 Assembly

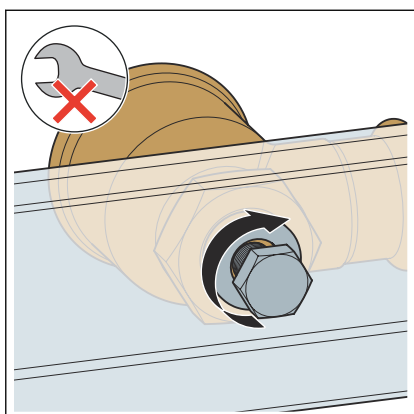
3.1.1 Installing the single nozzle gas meter for single mounting



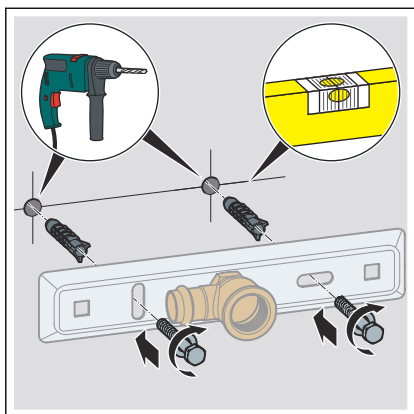
► Adjust the required depth with the locking nut.



► Insert and align the connection elbow.

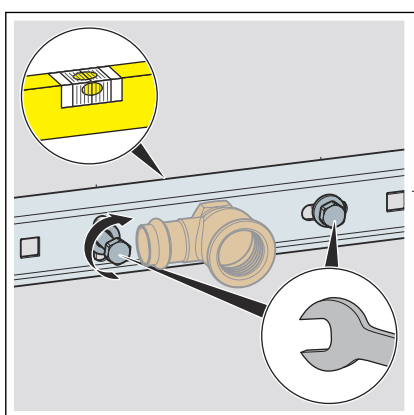


► Secure the connection elbow to the base plate with the washer and hexagon nut and hand-tighten.

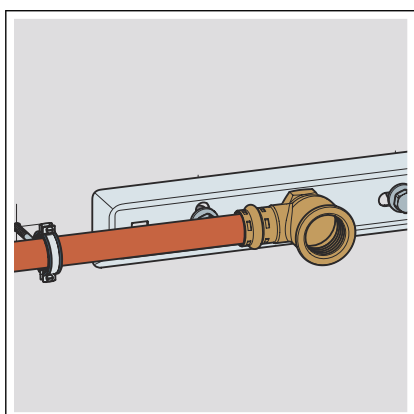


► Mark the drill holes and drill them.

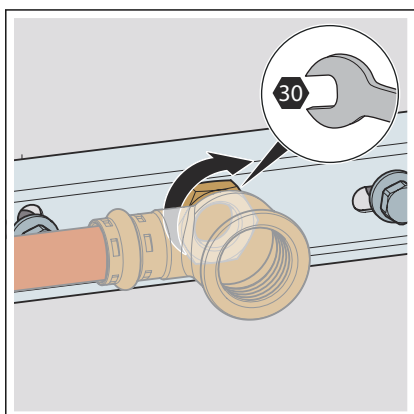
INFO! The dowels and screws are not included in the scope of delivery.



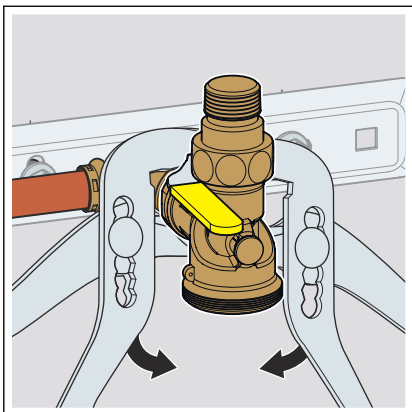
► Align the base plate and screw it on.



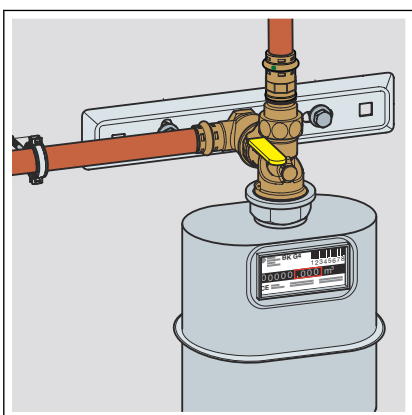
► Make the pipe connection.



► Screw the connection elbow tightly to the base plate.

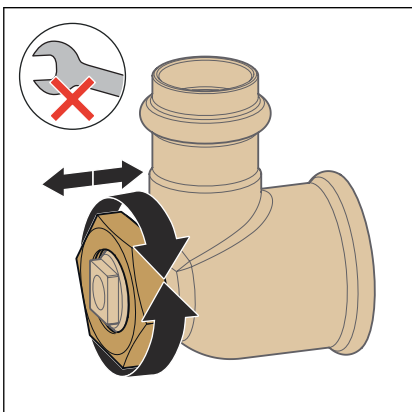


- Fit the gas meter corner ball valve.
- Make the pipe connection.

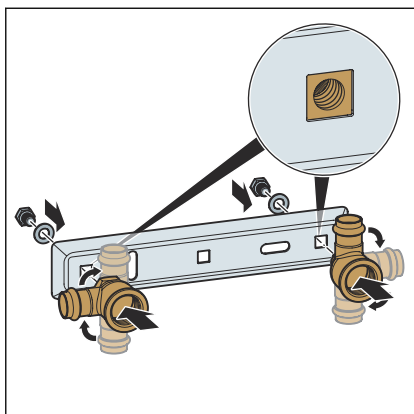


- Carry out and document the leak and load test.
- Install the gas meter after passing the test.

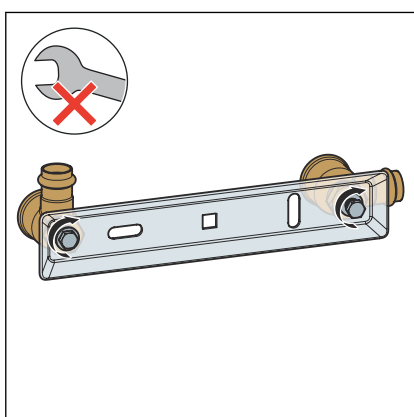
3.1.2 Installing the double-pipe gas meter for single mounting



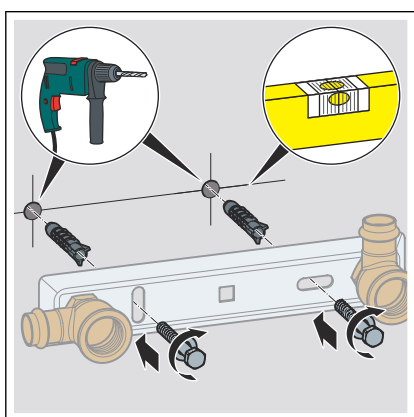
- Adjust the required depth with the locking nut.



- Insert and align the connection elbows.

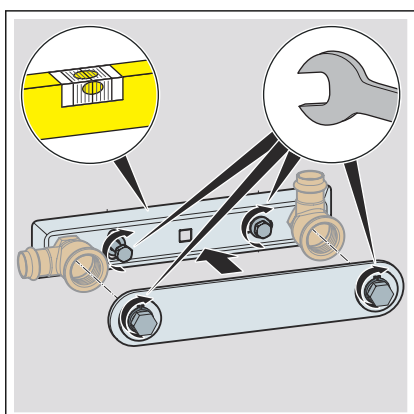


- Secure the connection elbows to the base plate with the washers and hexagon nut and hand-tighten.

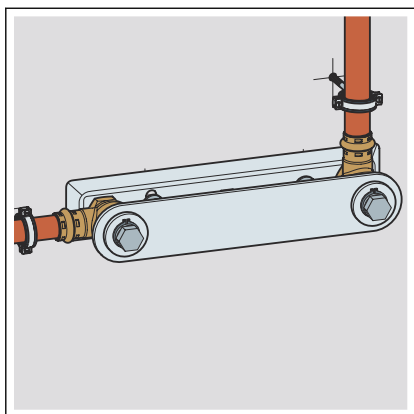


- Mark the drill holes and drill them.

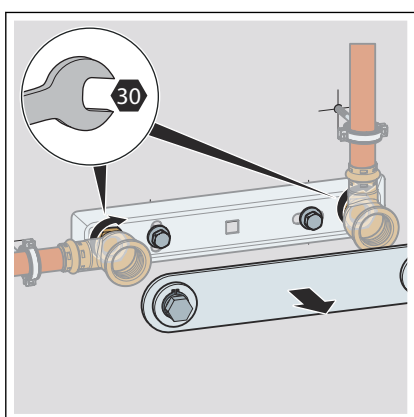
INFO! The dowels and screws are not included in the scope of delivery.



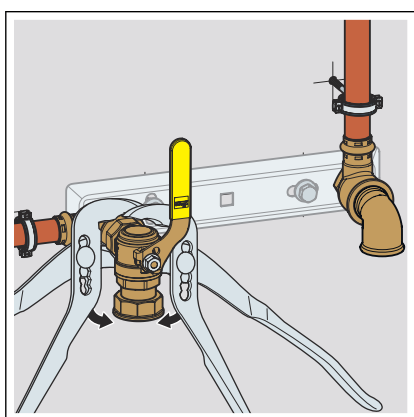
- Align the base plate and screw it on.
- Fit the connections with the installation template to comply with the required spacing of 250 mm for double-pipe gas meters.



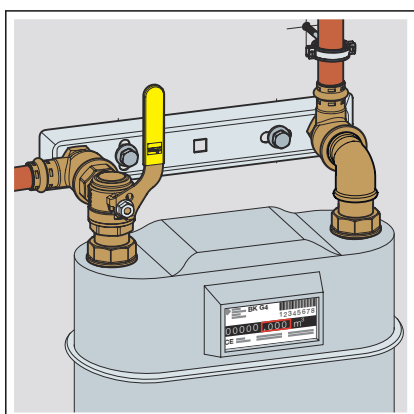
► Make the pipe connection.



► Screw the connection elbow tightly to the base plate.

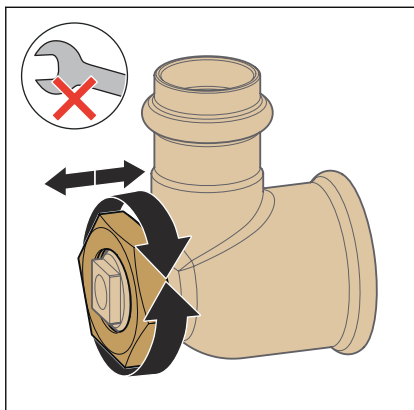


- Fit the connection elbow and the connection screw fitting.
- Fit the gas meter corner ball valve.

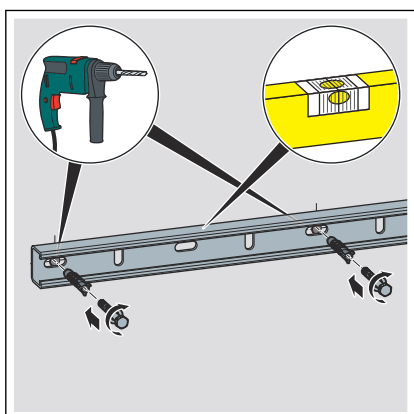


- Carry out and document the leak and load test.
- Install the gas meter after passing the test.

3.1.3 Installing the single-pipe gas meter for line mounting

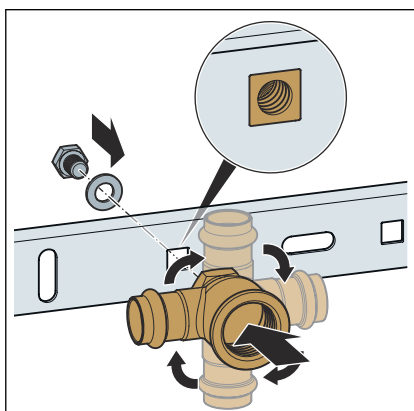


- Adjust the required depth with the locking nut.

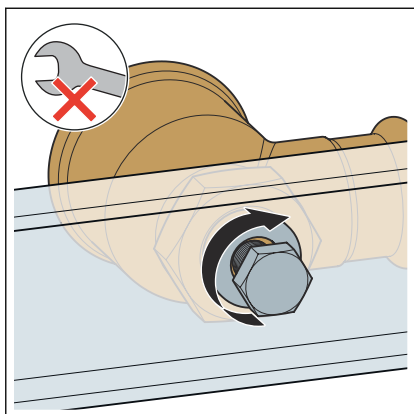


- Mark and drill the holes for the wall rail (model 8001).
- Fix the wall rail.

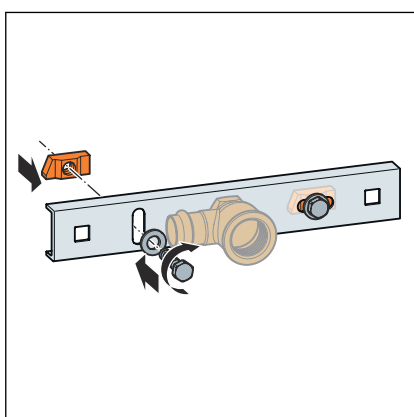
INFO! The dowels and screws are not included in the scope of delivery.



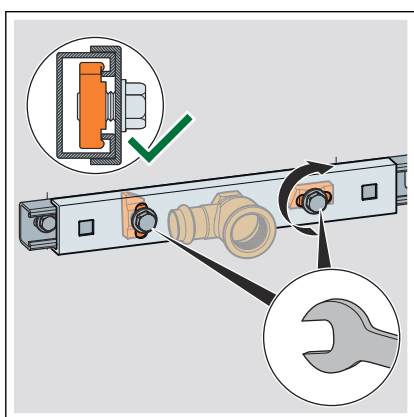
- Insert and align the connection elbow.



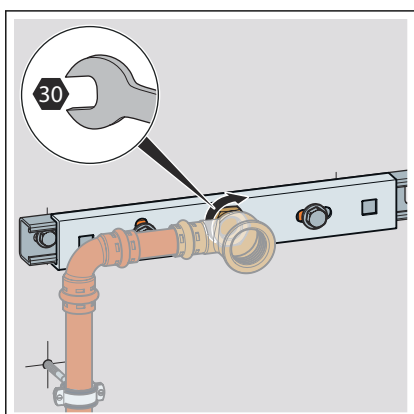
- Secure the connection elbow to the base plate with the washers and hexagon nut and hand-tighten.



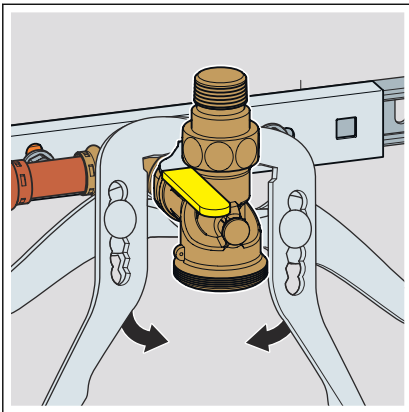
- Attach the slot nuts to the base plate.



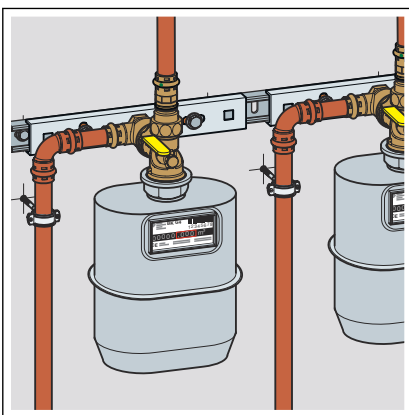
- Attach the base plate to the wall rail.



- Make the pipe connection.
- Screw the connection elbow tightly to the base plate.

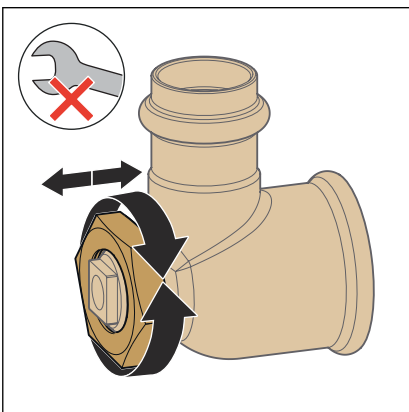


- Fit the gas meter corner ball valve.
- Make the pipe connection.

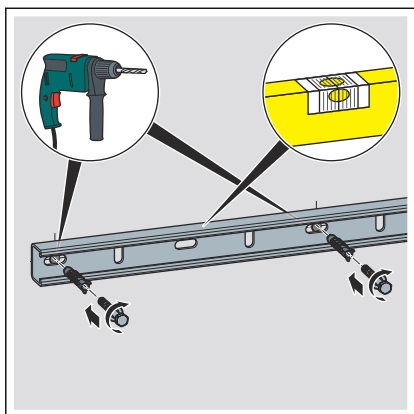


- Carry out and document the leak and load test.
- Install the gas meter after passing the test.

3.1.4 Fitting double pipe gas meters for line installation

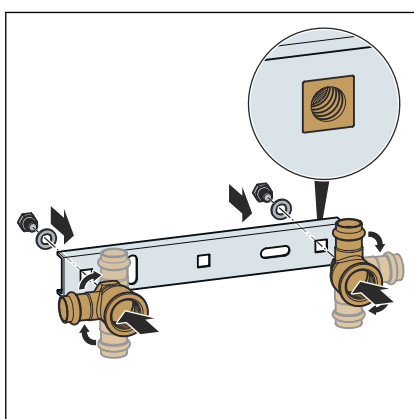


- Adjust the required depth with the locking nut.

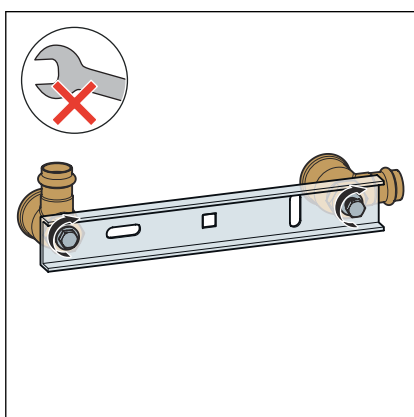


- Mark and drill the holes for the wall rail (model 8001).
- Fix the wall rail.

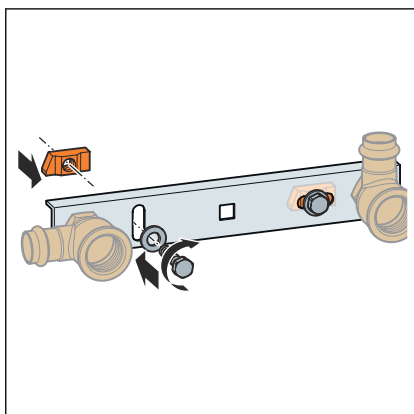
INFO! The dowels and screws are not included in the scope of delivery.



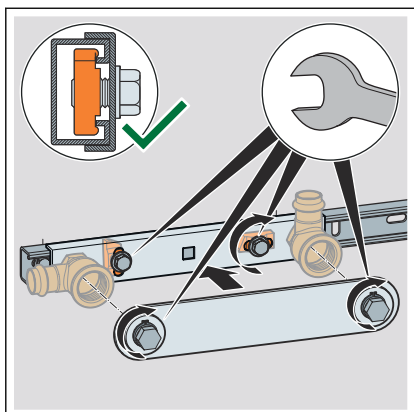
- Insert and align the connection elbows.



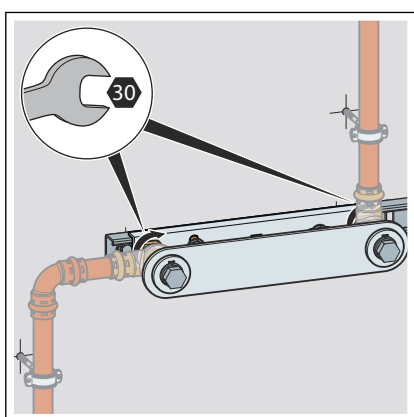
- Attach the connection elbows.



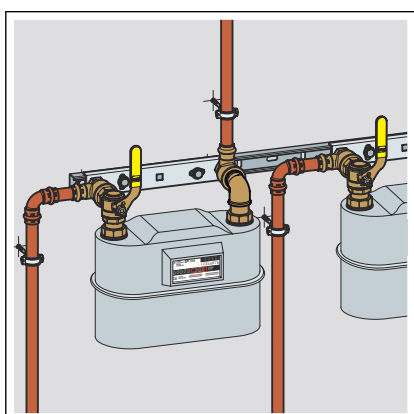
- Attach the slot nuts to the base plate.



- Align the base plate and screw it on.
- Fit the connections with the installation template to comply with the required spacing of 250 mm for double-pipe gas meters.



- Make the pipe connection.
- Connect the connection elbows firmly to the base plate using the locking nuts.



- Carry out and document the leak and load test.
- Install the gas meter after passing the test.

3.1.5 Leakage test

The installer must perform a leakage test before commissioning. Only carry out this test with suitable, tested and approved equipment. Carry out this test on a system that is finished but not covered. Observe the applicable regulations, see ↗ *'Regulations from section: Leakage test'* on page 5. Document the result.

3.2 Maintenance

The gas installation must be given a visual inspection, e. g. by the owner, once a year.

Serviceability and leak tightness must be checked every twelve years by an installation contractor.

To be covered by the warranty and to ensure the safe operation of the gas installations, operate and maintain them as intended, see ↗ *'Regulations from section: Maintenance'* on page 6.

3.3 Disposal

Separate the product and packaging materials (e. g. paper, metal, plastic or non-ferrous metals) and dispose of in accordance with valid national legal requirements.



Viega GmbH & Co. KG
service-technik@viega.de
viega.com

INT • 2022-08 • VPN200513

