

Instructions for Use

Easytop water meter bow



for water meters

Model
2230.70

Year built (from)
04/2006

viega

Table of contents

1	About these instructions for use	3
	1.1 Target groups	3
	1.2 Labelling of notes	3
	1.3 About this translated version	4
2	Product information	5
	2.1 Standards and regulations	5
	2.2 Intended use	7
	2.2.1 Areas of use	7
	2.2.2 Media	7
	2.3 Product description	7
	2.3.1 Overview	7
	2.3.2 Threaded connection	8
	2.3.3 Compatible components	8
	2.3.4 Technical data	8
	2.4 Information for use	9
	2.4.1 Corrosion	9
	2.4.2 Optional accessories	9
3	Handling	12
	3.1 Assembly information	12
	3.1.1 Mounting instructions	12
	3.2 Assembly	12
	3.2.1 Mounting preparation	12
	3.2.2 Horizontal installation	13
	3.2.3 Vertical installation	15
	3.2.4 Leakage test	15
	3.3 Maintenance	16
	3.4 Disposal	16

1 About these instructions for use

Trade mark rights exist for this document; for further information, go to viega.com/legal.

1.1 Target groups

The information in this manual is directed at heating and sanitary professionals and trained personnel.

Individuals without the abovementioned training or qualification are not permitted to mount, install and, if required, maintain this product. This restriction does not extend to possible operating instructions.

The installation of Viega products must take place in accordance with the general rules of engineering and the Viega instructions for use.

1.2 Labelling of notes

Warning and advisory texts are set aside from the remainder of the text and are labelled with the relevant pictographs.



DANGER!

This symbol warns of possible life-threatening injury.



WARNING!

This symbol warns of possible serious injury.



CAUTION!

This symbol warns of possible injury.



NOTICE!

This symbol warns of possible damage to property.



This symbol gives additional information and hints.

1.3 About this translated version

This instruction for use contains important information about the choice of product or system, assembly and commissioning as well as intended use and, if required, maintenance measures. The information about the products, their properties and application technology are based on the current standards in Europe (e. g. EN) and/or in Germany (e. g. DIN/DVGW).

Some passages in the text may refer to technical codes in Europe/Germany. These should serve as recommendations in the absence of corresponding national regulations. The relevant national laws, standards, regulations, directives and other technical provisions take priority over the German/European directives specified in this manual: The information herein is not binding for other countries and regions; as said above, they should be understood as a recommendation.

2 Product information

2.1 Standards and regulations

The following standards and regulations apply to Germany / Europe and are provided as a support feature.

Regulations from section: Fields of application

Scope / Notice	Regulations applicable in Germany
Planning, execution, operation and maintenance of potable water installations	DIN EN 806, part 1
Planning, execution, operation and maintenance of potable water installations	DIN EN 806, part 2
Planning, execution, operation and maintenance of potable water installations	DIN EN 806, part 3
Planning, execution, operation and maintenance of potable water installations	DIN EN 806, part 4
Planning, execution, operation and maintenance of potable water installations	DIN EN 806, part 5
Planning, execution, operation and maintenance of potable water installations	DIN EN 1717
Planning, execution, operation and maintenance of potable water installations	DIN 1988
Planning, execution, operation and maintenance of potable water installations	VDI/DVGW 6023
Planning, execution, operation and maintenance of potable water installations	Trinkwasserverordnung (TrinkwV)

Regulations from section: Media

Scope / Notice	Regulations applicable in Germany
Suitability for drinking water	Trinkwasserverordnung (TrinkwV)

Regulations from section: Product description

Scope / Notice	Regulations applicable in Germany
Suitability for drinking water installations	Trinkwasserverordnung (TrinkwV)
Suitability for drinking water installations	DIN 50930-6
Requirements in plastic components in drinking water installations	DVGW-Arbeitsblatt W270

Regulations from section: Threaded connection

Scope / Notice	Regulations applicable in Germany
Threaded pair	DIN EN 10226-1
Permitted sealants	DIN 30660
Permitted sealants	DIN EN 751-2

Regulations from section: Corrosion

Scope / Notice	Regulations applicable in Germany
External corrosion protection	DIN EN 806-2
External corrosion protection	DIN 1988-200
External corrosion protection	DKI-Informationsdruck i. 160

Regulations from section: Leakage test

Scope / Notice	Regulations applicable in Germany
Leakage test for potable water installations	DIN EN 806, part 4
Leakage test for potable water installations	ZVSHK-Merkblatt „Dichtheitsprüfungen von Trinkwasserinstallationen mit Druckluft, Inertgas oder Wasser“

Regulations from section: Maintenance

Scope / Notice	Regulations applicable in Germany
Operation and maintenance of potable water installations	DIN EN 806-5

2.2 Intended use



Coordinate the use of the model for areas of use and media other than those described with the Viega Service Center.

2.2.1 Areas of use

Use is possible in the following areas among others:

- Drinking water installations

The general rules of engineering and the applicable regulations must be observed for planning, execution, operation and maintenance potable water installations, see ↪ *'Regulations from section: Fields of application'* on page 5.

2.2.2 Media

The model is also suitable for the following media, amongst others:

- Drinking water without limitations acc. to the applicable directives, see ↪ *'Regulations from section: Media'* on page 5
- maximum chloride concentration 250 mg/l pursuant to applicable regulations, see ↪ *'Regulations from section: Media'* on page 5

2.3 Product description

According to the applicable regulations, Easytop water meter screw connections can be used for all types of potable water and are DVGW certified, see ↪ *'Regulations from section: Product description'* on page 6. Their plastic components comply with the KTW recommendation and the requirements pursuant to the applicable regulations.

2.3.1 Overview

The water meter bow is suitable for the horizontal and vertical mounting of water meters.

The model is equipped as follows:

- dual-sided R-thread
- water meter bow made of stainless steel, stainless, depth and length-adjustable
- water meter screw connection, inlet side sealable, outlet side length-adjustable
- all parts that come into contact with water are made of gunmetal/silicon bronze
- fixing material

The model is available in the following dimensions:

Q3	4	10	16
Qn	2.5	6	10
R1	1	1¼	1½
R2	1	1¼	1½

2.3.2 Threaded connection

Prerequisite for a threaded connection, which seals via a thread, is a threaded pair in accordance with applicable regulations, see ↗ *'Regulations from section: Threaded connection'* on page 6. Pursuant to these regulations, a permitted threaded pair comprises a conical external thread and a cylindrical internal thread, e.g. R ¾ and Rp ¾.

Only use commercially available and chloride-free, DVGW approved sealant in accordance with the applicable regulations to seal threads, see ↗ *'Regulations from section: Threaded connection'* on page 6.

2.3.3 Compatible components

The model is suitable for the mounting of water meters sizes Qn 2.5 / Qn 6, Qn 10, Q3 4 / Q3 10 and Q3 16.

Should you have any questions on this subject, please contact the Viega Service Center.

2.3.4 Technical data

Observe the following operating conditions for the installation of the model:

Operating temperature [T_{max}]	20 °C
Operating pressure [P_{max}]	1.6 MPa (16 bar)

2.4 Information for use

2.4.1 Corrosion

Overground pipelines and fittings in rooms do not normally require external corrosion protection.

There are exceptions in the following cases:

- Contact with aggressive building materials such as nitrite or materials containing ammonium
- in aggressive surroundings

If external corrosion protection is required, observe the pertinent guidelines, see ↗ *'Regulations from section: Corrosion' on page 6.*



Easytop fittings made of gunmetal/silicon bronze are suitable for all types of potable water.

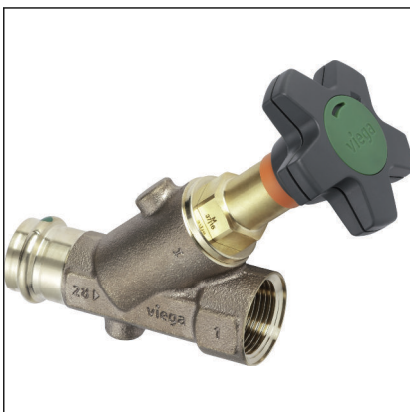
The chloride concentration in the medium must not exceed a maximum value of 250 mg/l.

This chloride is not a disinfectant, but in fact pertains to the content in sea and table salt (sodium chloride).

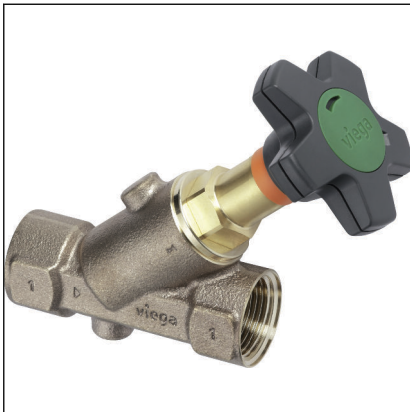
2.4.2 Optional accessories

The following optional accessories are available:

Inlet side



Model 2230.52 Easytop slanted seat valve with SC-Contur



Model 2230.53 Easytop slanted seat valve

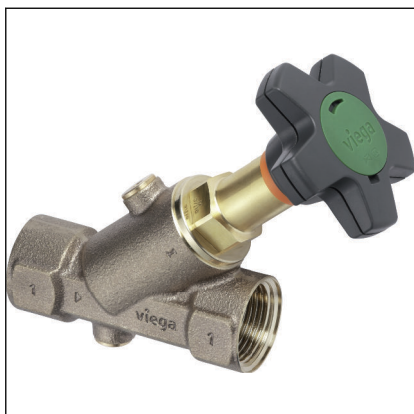


Model 2230.55 Easytop slanted seat valve with SC-Contur

Outlet side



Model 2230.90 Easytop CRV slanted seat valve with SC-Contur



Model 2230.92 Easytop CRV slanted seat valve

3 Handling

3.1 Assembly information

3.1.1 Mounting instructions

Checking system components



Do not remove the model from the packaging until immediately before use.

System components may, in some cases, become damaged through transportation and storage.

- Check all parts.
- Replace damaged components.
- Do not repair damaged components.
- Contaminated components may not be installed.

During assembly

Observe the following when mounting:

- use suitable tools



Choose the place of installation so that the Easytop mounting unit is easy to access and to operate and the water meter can be mounted without any problems.

3.2 Assembly

3.2.1 Mounting preparation

Mounting is demonstrated with the example model 2230.15.



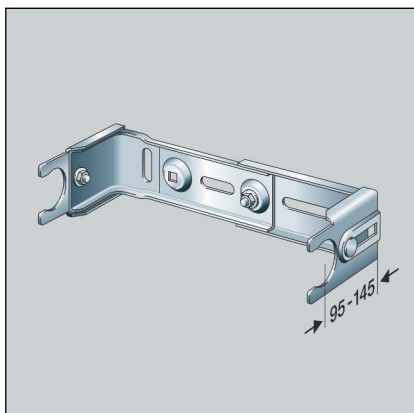
NOTICE!

The supplied fixing set is designed for installation on a solid wall.

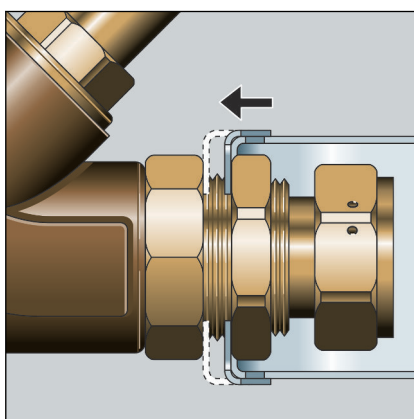
Adapt the fixing material to the ground and the ambient conditions.

3.2.2 Horizontal installation

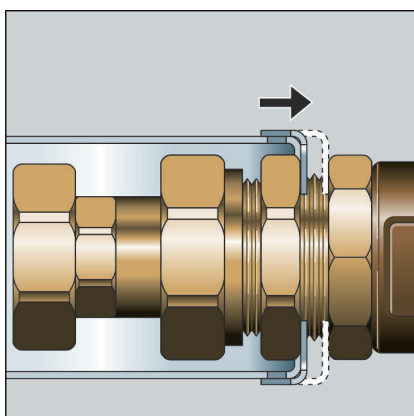
Assembly steps



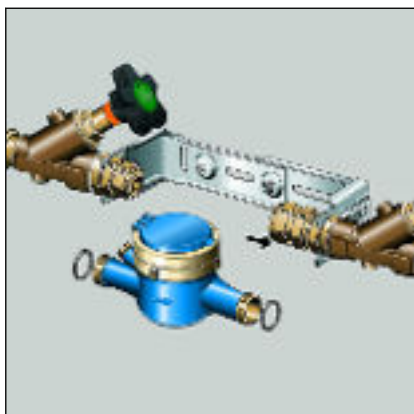
- Attach the water meter bow to the wall.
- Set the required distance to the wall for the water meter.
- Seal the R-thread of the water meter screw connections for further use.



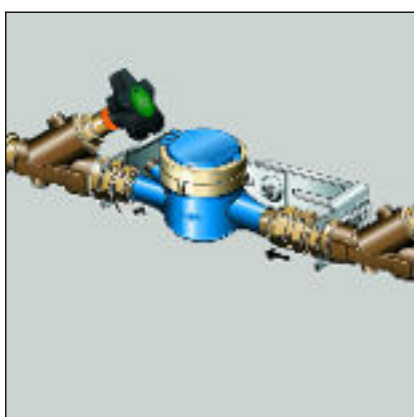
- **Inlet:**
Secure the water meter screw connection onto the water meter bow.
- Screw the lock nut finger-tight against the water meter bow and tighten.



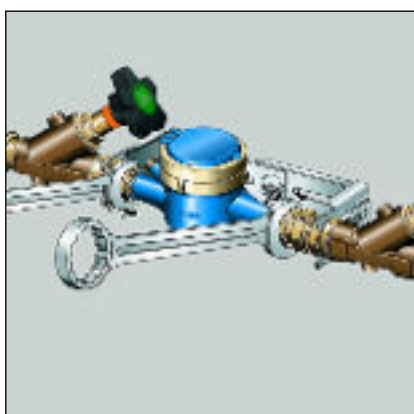
- **Outlet:**
Secure the water meter screw connection onto the water meter bow.
- Screw the lock nut finger-tight against the water meter bow and tighten.



- ▶ Loosen the fixing nut of the slide and push in the slide.



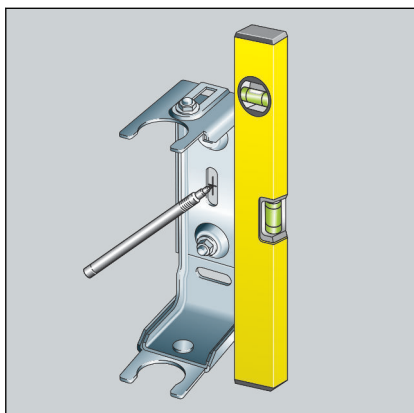
- ▶ Place the water meter with seal on the inlet screw fitting and tighten finger-tight.
- ▶ Push the slide with seal back to the water meter and tighten the screw fitting finger-tight.



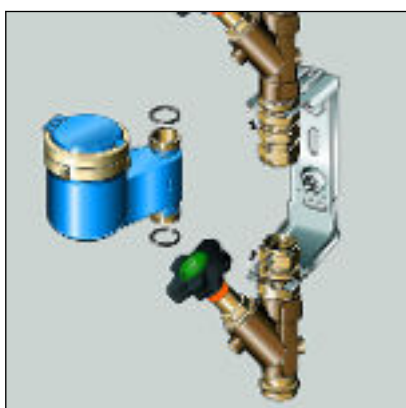
- ▶ Tighten the water meter screw connections.
- ▶ Tighten the fixing nut of the slide.

3.2.3 Vertical installation

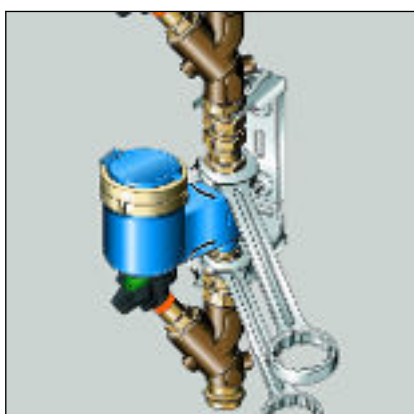
Assembly steps



- Use the water meter for vertical mounting.
- Carry out the assembly steps as with the horizontal installation.



- Tighten the lock nuts of the water meter screw connection.
- Loosen the fixing nut of the slide and push in the slide.
- Place the water meter with seal on the inlet screw fitting and tighten finger-tight.
- Push the slide with seal back to the water meter and tighten the screw fitting finger-tight.



- Tighten the water meter screw connections.
- Tighten the fixing nut of the slide.

3.2.4 Leakage test

The installer must perform a leakage test before commissioning.

Carry out this test on a system that is finished but not yet covered.

Comply with the general rules of engineering and the applicable directives, see ↗ *'Regulations from section: Leakage test' on page 6.*

Document the result.

3.3 Maintenance

**NOTICE!**

Inform your customer or the operator of the drinking water installation that the system has to be maintained on a regular basis.

Observe the applicable regulations for the operation and maintenance of drinking water installations, see ↗ *'Regulations from section: Maintenance'* on page 6.

Replace water meter screw connection

When the water meter screw connection needs to be replaced, use the model 2230.71.

3.4 Disposal

Separate the product and packaging materials (e. g. paper, metal, plastic or non-ferrous metals) and dispose of in accordance with valid national legal requirements.



Viega GmbH & Co. KG
service-technik@viega.de
viega.com

INT • 2022-08 • VPN180184

