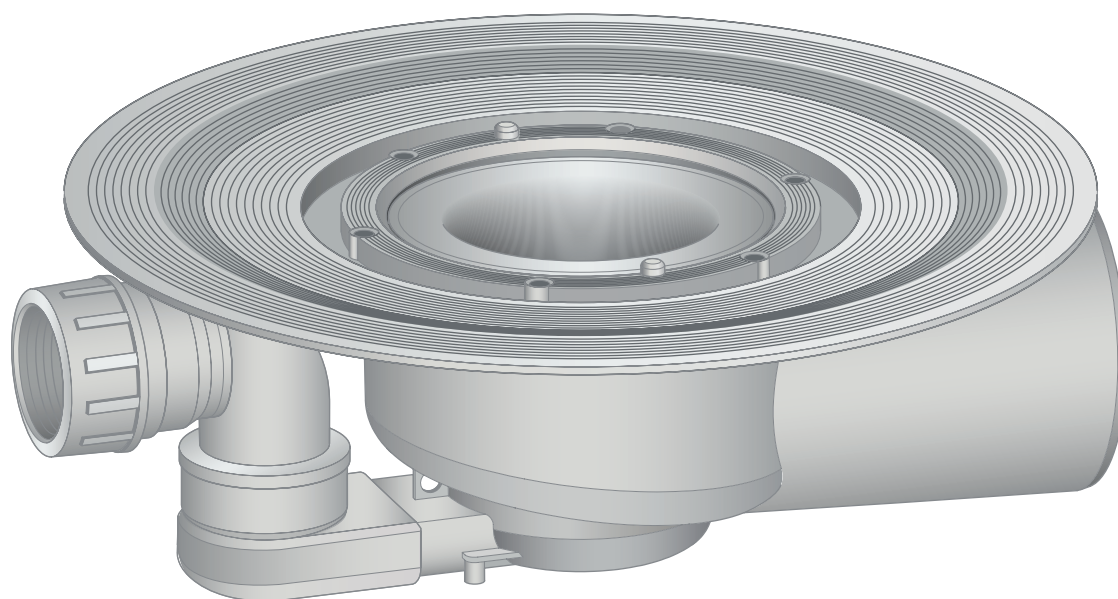


## Instructions for Use

# Advantix floor drain base unit



**Model**  
4955.15

**Year built (from)**  
01/1994

**viega**

# Table of contents

<b>1</b>	<b>About these instructions for use</b>	<b>3</b>
	1.1 Target groups	3
	1.2 Labelling of notes	3
	1.3 About this translated version	4
<b>2</b>	<b>Product information</b>	<b>5</b>
	2.1 Standards and regulations	5
	2.2 Certification	6
	2.3 Intended use	6
	2.3.1 Areas of application	6
	2.3.2 Media	6
	2.3.3 Drainage capacity	7
	2.4 Product description	8
	2.4.1 Overview	8
	2.4.2 Technical data	8
	2.5 Information for use	9
	2.5.1 Installation variations	9
	2.5.2 Sealing	10
	2.6 Required accessories	14
<b>3</b>	<b>Handling</b>	<b>16</b>
	3.1 Assembly information	16
	3.1.1 Important note	16
	3.1.2 Installation dimensions	17
	3.1.3 Tools and materials	17
	3.2 Assembly	18
	3.2.1 Connecting the drain	18
	3.2.2 Preparing for subsequent work	19
	3.2.3 Sealing the drain	20
	3.2.4 Mounting the top	23
	3.3 Care	24
	3.3.1 Care tips	24
	3.3.2 Cleaning the drain	24
	3.4 Disposal	25

# 1 About these instructions for use

Trade mark rights exist for this document; for further information, go to [viega.com/legal](http://viega.com/legal).

## 1.1 Target groups

The information in this instruction manual is directed at the following groups of people:

- Heating and plumbing experts and trained personnel
- Tilers
- Consumers

Individuals without the abovementioned training or qualification are not permitted to mount, install and, if required, maintain this product. This restriction does not extend to possible operating instructions.

The installation of Viega products must take place in accordance with the general rules of engineering and the Viega instructions for use.

## 1.2 Labelling of notes

Warning and advisory texts are set aside from the remainder of the text and are labelled with the relevant pictographs.



### **DANGER!**

This symbol warns of possible life-threatening injury.



### **WARNING!**

This symbol warns of possible serious injury.



### **CAUTION!**

This symbol warns of possible injury.



### **NOTICE!**

This symbol warns of possible damage to property.



This symbol gives additional information and hints.

### 1.3 About this translated version

This instruction for use contains important information about the choice of product or system, assembly and commissioning as well as intended use and, if required, maintenance measures. The information about the products, their properties and application technology are based on the current standards in Europe (e.g. EN) and/or in Germany (e.g. DIN/DVGW).

Some passages in the text may refer to technical codes in Europe/Germany. These should serve as recommendations in the absence of corresponding national regulations. The relevant national laws, standards, regulations, directives and other technical provisions take priority over the German/European directives specified in this manual: The information herein is not binding for other countries and regions; as said above, they should be understood as a recommendation.

## 2 Product information

### 2.1 Standards and regulations

The following standards and regulations apply to Germany / Europe and are provided as a support feature.

#### Regulations from section: Sealing



Scope / Notice	Regulations applicable in Germany
Stress class of the underground, as well as suitable bonded sealing	ZDB-Merkblatt 8/2012
Stress class of the underground, as well as suitable bonded sealing	Leitfaden zur Abdichtung im Verbund (AIV)
Approved bonded sealings with proof of practicability in keeping with building law for stress classes A and AO	ETAG 022 T1
Approved bonded sealings with proof of practicability in keeping with building law for stress classes A, B and C	DIBt-Bauregelliste A, Teil 2 des DIBt und Prüfgrundsätze für Abdichtungen im Verbund (PG AIV-F)
Permitted bonded sealings	EN 14891
Sealing of inside rooms	DIN18534

#### Regulations from section: Media

Scope / Notice	Regulations applicable in Germany
Typical domestic wastewater	DIN 1986-3

## 2.2 Certification

Data acc. to DIN EN 1253, Table 7

Manufacturer	Viega GmbH & Co.KG
Manufacturer identification mark	
Certificate of conformity	
Address	Viega GmbH & Co.KG Viega Platz 1 57439 Attendorn Germany
Relevant standard	DIN EN 1253-1
DN	70/100
Position of side connections	
Product class with respect to temperature behaviour	A
Specific run-off behaviour	1.1 / 1.7

## 2.3 Intended use

### 2.3.1 Areas of application

The drain with a horizontal drain socket is suitable for both mounting in a floor opening as well as for mounting on the floor.

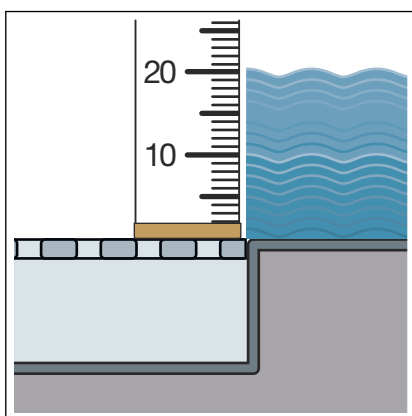
### 2.3.2 Media

The drain is intended for draining wastewater commonly encountered in households in constant operation, see ↪ *'Regulations from section: Media'* on page 5.

- The short-term temperature of the wastewater may reach up to 95° C. The temperature must be considerably lower in constant operation.
- The pH value must be higher than four but lower than ten.

It is not permitted to introduce wastewater, which could damage the product material.

### 2.3.3 Drainage capacity

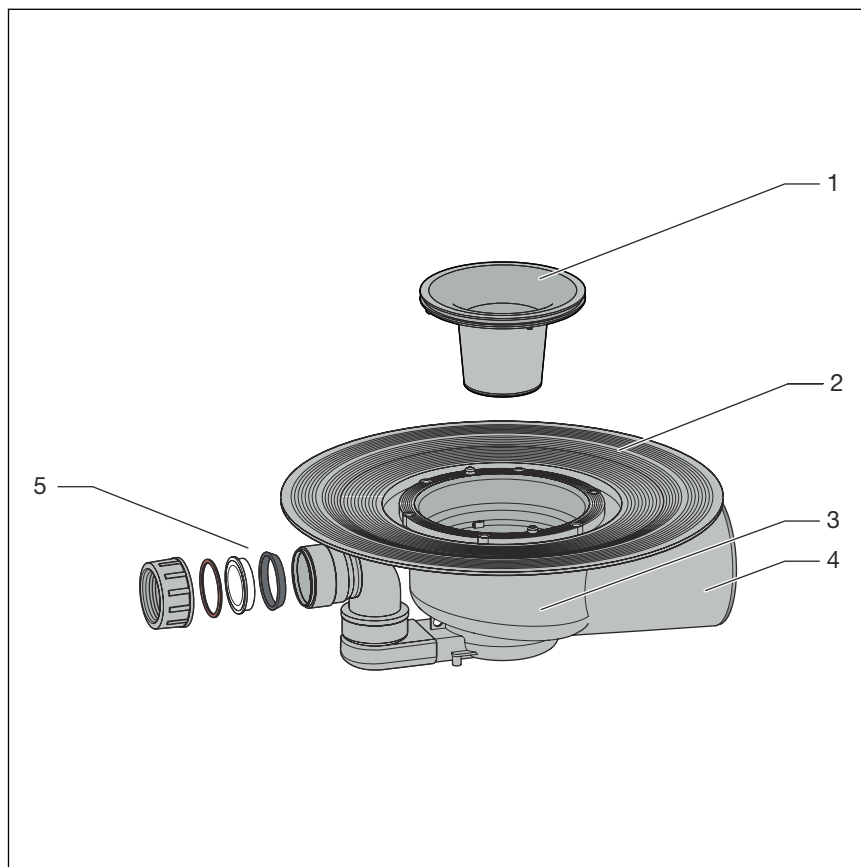


	Article 285 050	Article 285 043
Nominal width [DN] (drain socket)	70	100
Nominal width [DN] (inlet)	40	40
Drainage capacity at an accumulation height of 10 mm above the grate	0.6 l/s	1.2 l/s
Drainage capacity at an accumulation height of 20 mm above the grate	1.1 l/s	1.7 l/s
Drainage capacity through the lateral inlet	2.3 l/s	2.5 l/s

The values are dependent on the total height of the drain unit.

## 2.4 Product description

### 2.4.1 Overview



- 1 Removable odour trap
- 2 flange for the application of the conventional sealing
- 3 horizontal drain socket (DN 70/100)
- 4 Base unit
- 5 inlet (DN 40) for the connection of additional drain pipes (e.g. from washbasin, shower, etc.)

There are various articles available under this model number, which differ by their technical data. You can find further information at:  
 ↪ *Chapter 2.4.2 'Technical data' on page 8*

### 2.4.2 Technical data

	Article 285 050	Article 285 043
Nominal width [DN] (drain socket)	70	100
Nominal width [DN] (inlet)	40	40



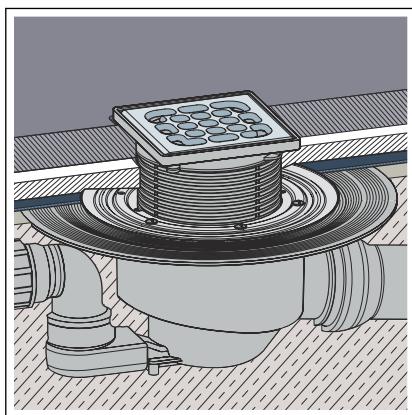
	Article 285 050	Article 285 043
Drainage capacity	☞ Chapter 2.3.3 'Drainage capacity' on page 7	☞ Chapter 2.3.3 'Drainage capacity' on page 7
Water seal level	50 mm	50 mm
Dimensions and installation height	☞ Chapter 3.1.2 'Installation dimensions' on page 17	☞ Chapter 3.1.2 'Installation dimensions' on page 17
Load class	corresponds with the load class of the top used	corresponds with the load class of the top used

## 2.5 Information for use

### 2.5.1 Installation variations

#### Installing in a bare concrete floor

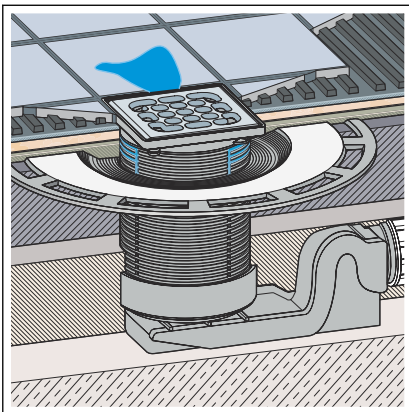
The mounting of the drain in a bare concrete floor is as follows:



**Fig. 1: General installation example – Floor recess**

- The drain is placed in a floor recess and then cast-in.

## Mounting on a floor



**Fig. 2: General mounting example – Mounting on the floor**

During the mounting on the floor, the drain is integrated into the floor construction. At the same time, the drain can e.g. be integrated into the levelling screed or heat insulation. If necessary, a vertical drainpipe can be led through a drill hole in the floor at the same time.



### NOTICE!

The creation of a floor recess must be agreed with the following people:

- a structural engineer
- the on-site fire protection inspector or the specialist engineer for fire protection

If necessary, proof of compliance with building code or an expert's report must exist.

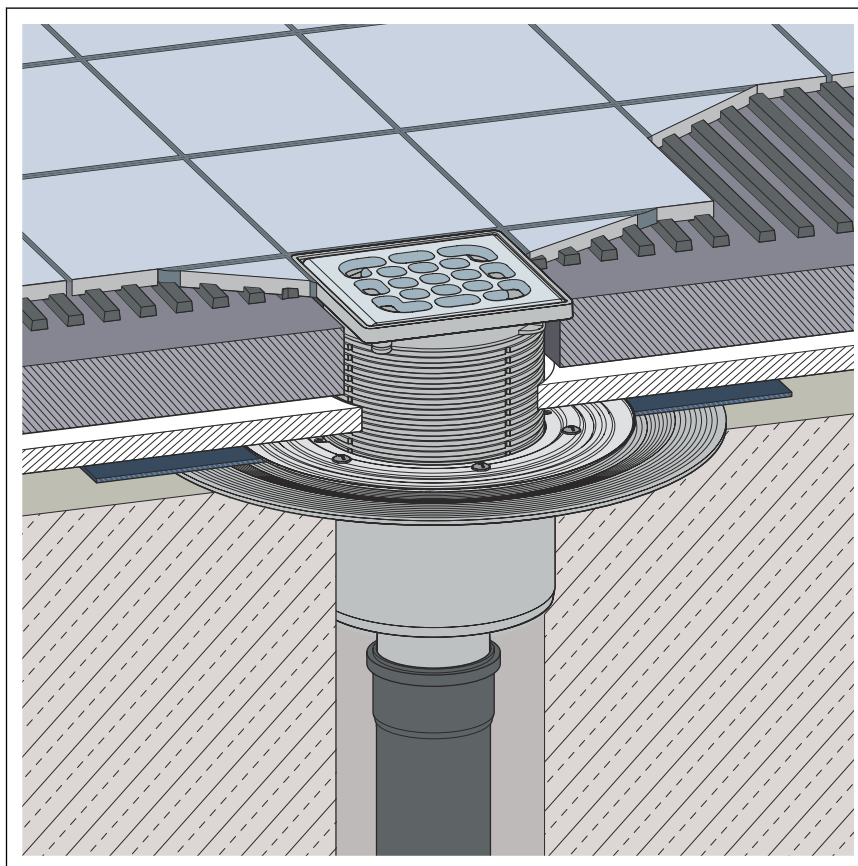
## 2.5.2 Sealing

The drain can be sealed both conventionally as well as with bonded sealing.

Depending on the type of sealing, you will require the relevant equipment set ↪ *Chapter 2.6 'Required accessories' on page 14.*

## Conventional sealing

The flange of the drain is intended for conventional sealing. To be able to seal the drain conventionally, you require a suitable sealing collar and a clamping ring with which the cuff is secured ↪ *Chapter 2.6 'Required accessories' on page 14.*



**Fig. 3: Construction diagram of a conventional sealing**



### **NOTICE!** **Not suitable for floor-level showers**

Conventional sealing is not recommended with floor-level showers, because dampness can enter the screed and damp proof layer.

Use bonded sealing for floor-level showers.

### **Principle**

Traditionally, sealing is made using bitumen or EPDM sealing collars. The sealing collars are laid directly onto the raw concrete or heat insulation. This process has proved itself to be particularly effective for sealing balconies, patios, floor installation panels and cellar floors. In addition, sealing collars are often used as an additional second sealing layer below the bonded seal.

The following components are required for the installation of a drain with conventional sealing:

- Drain
- Clamping ring with sealing collar for EPDM and bitumen sealing lanes

### Information for processing

The sealing collar is coated with EPDM on the one side and with bitumen on the other side

Place the sealing collar on the drain and fasten it with the flange. It depends on the sealing collar used which material layer of the sealing collar is placed facing up. You can find more information in the mounting instructions of the sealing flange.

### Bonded sealing

To protect against moisture penetration, apply sealing foils, which are to be processed in liquid state, directly below the tiles on screed and walls. The determination of the stress class and the underground as well as the selection of the suitable bonded sealing must be carried out in compliance with the valid standards and regulations, see: ↗ *'Regulations from section: Sealing'* on page 5.

Bonded sealing can be carried out with the help of a suitable stacking element. You have the possibility to double seal, using conventional and bonded sealing or only using bonded sealing.

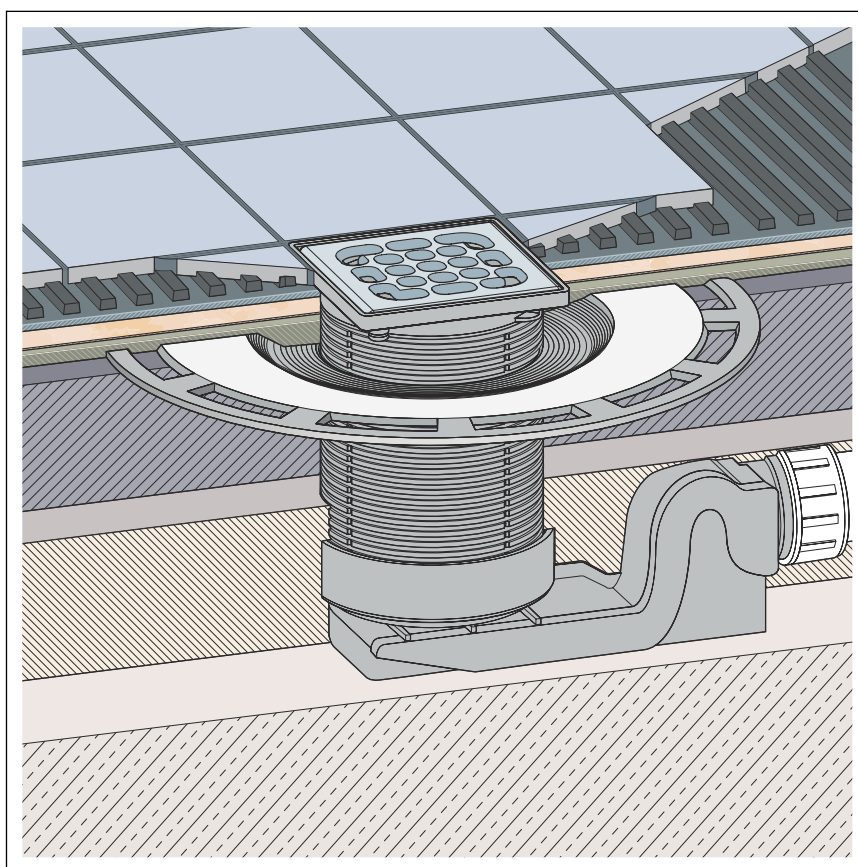


Fig. 4: Diagram of a bonded seal

### Important note

Careful planning is required for sealing. In addition, depending on the individual dampness wear class and the type of foundation, a suitable thin bed bonded sealing with a building regulations certificate of suitability must be chosen.

Furthermore, the following factors should be taken into account:

- The drain or shower channel must be equipped with a special flange, which has an adhesive surface and a width of at least 50 mm.
- For bridging the material change from drain to screed, either a suitable sealing collar or sealing tape designed for overlapping with the thin bed bonded sealing over a width of at least 50 mm must be used.
- The screed must be laid at a minimum incline of 1–2%.
- The installation must be carried out in acc. with the mounting instructions and the manufacturer's information.

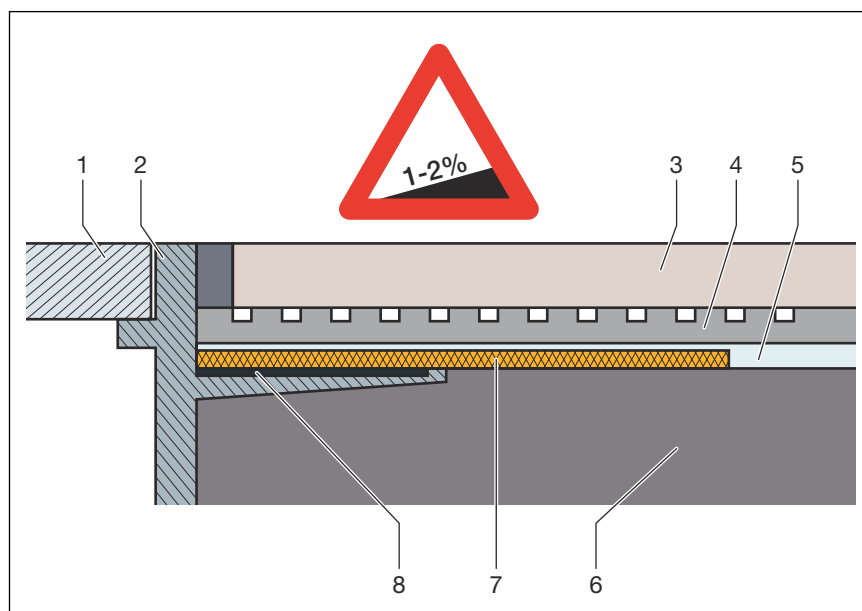


Fig. 5: Construction diagram of the bonded seal - min. screed incline 1-2 %

- 1 Grate
- 2 Top piece with adhesive flange
- 3 Tile
- 4 Tile cement
- 5 Bonded sealing
- 6 Screed
- 7 Sealing collar
- 8 Adhesive

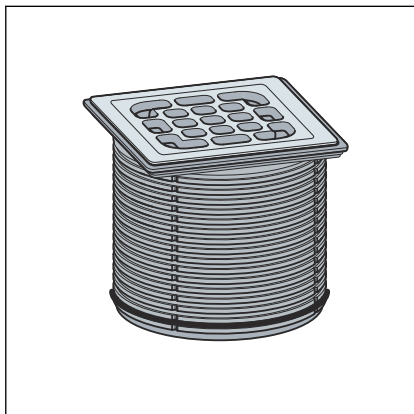
### Permitted bonded seals

In connection with suitable drains, only approved bonded sealings with proof of practicability in keeping with building law may be used. See [↗ 'Regulations from section: Sealing' on page 5.](#)

Information regarding the procedure can be found in the instructions for use of the corresponding product.

## 2.6 Required accessories

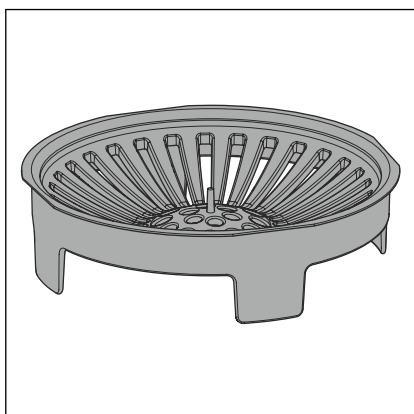
### Top



A top must be purchased separately to complete the mounting of the drain.

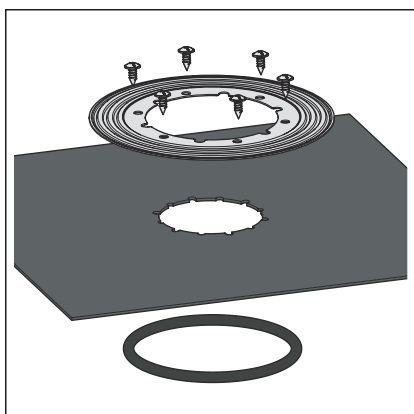
Advantix tops are available in a number of sizes and variations. You can also only buy an Advantix top frame and then purchase a suitable designer grate separately (see catalogue).

### Sieve insert



The drain can be fitted with a sieve insert (model 4923.1) to collect dirt.

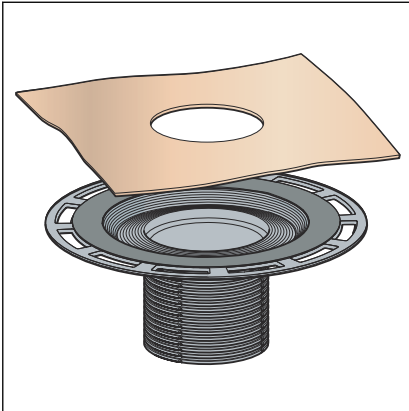
### Accessories for conventional sealing



If a conventional sealing is to be made, a suitable sealing collar and a clamping ring will be required.

You will find a corresponding set in the catalogue (model 4998.3).

**Accessories for bonded sealing**



If a bonded sealing is to be applied, a suitable stacking element with sealing collar is required.

You will find a corresponding set in the catalogue (model 4994).

## 3 Handling

### 3.1 Assembly information

#### 3.1.1 Important note

Before assembly:

- Check if the drainage capacity of the drain is sufficient for the arising water volume ↪ *Chapter 2.3.3 'Drainage capacity' on page 7.*
- Check if the installation height of the drain corresponds with the planned floor construction.
- Ensure that the required connection line is installed with the necessary incline to the planned installation location.
- If necessary, supply the required accessories ↪ *Chapter 2.6 'Required accessories' on page 14.*

During assembly:

- Observe installation dimensions.
- Decide whether or not a backflow seal is required in the insertion part of the top.

After assembly:

- The drain flange must be fully lined with mortar.



### 3.1.2 Installation dimensions

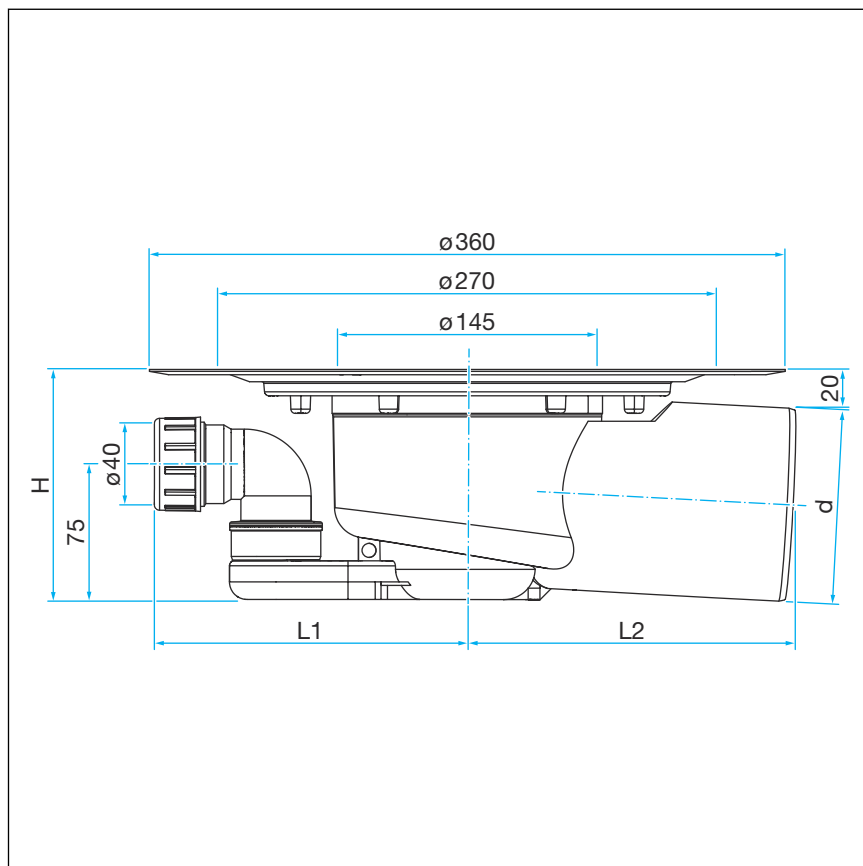


Fig. 6: Dimensional drawing for model 4955.15

Article No.	285 050	285 043
DN	70	100
d	75	110
L1	165	180
L2	130	185
H	120	130

### 3.1.3 Tools and materials

#### Required material

- if necessary, sealing collar, clamping ring, fitting screws
- Top with grate, if not included in scope of delivery ↪ *Chapter 2.4.1 'Overview' on page 8*
- if necessary, stacking element for bonded sealing model 4944
- Material for securing the drain

## 3.2 Assembly

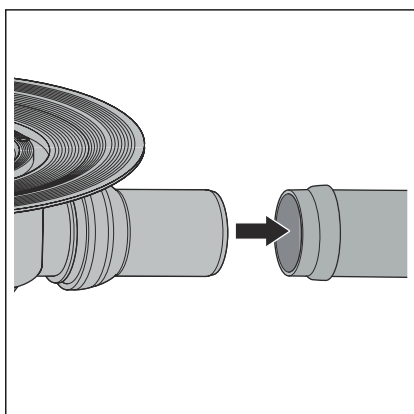
### 3.2.1 Connecting the drain

#### Connecting to the wastewater system

The connection to the wastewater system must be completed before the drain can be installed in the floor construction. Proceed as follows:

Requirements:

- A pipe to the planned drainage position is already in place for the connection to the wastewater system.
- The drainpipe has an internal sealing lip.
- Insert the drain socket into the drainpipe as far as it will go.

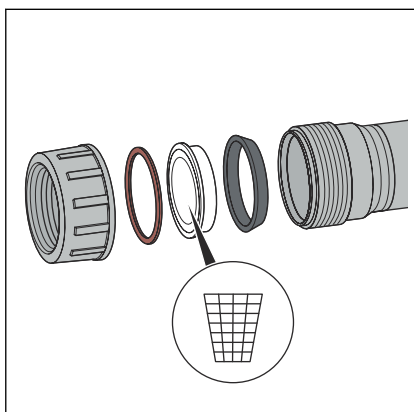


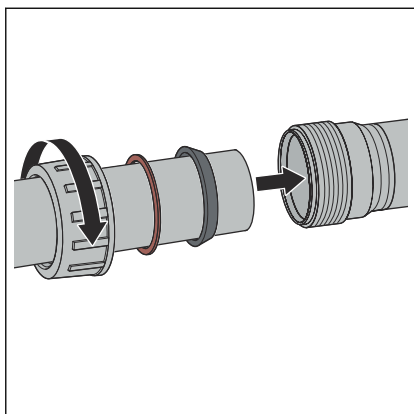
#### Connecting the inlet

Make the connection to the inlet to mount the drain. Proceed as follows:

Requirements:

- The inlet pipe has been mounted.
- Unscrew the union nut from the drain inlet.
- Remove the protective plug.
- Remove the sliding ring and the sealing element from the protective plug.



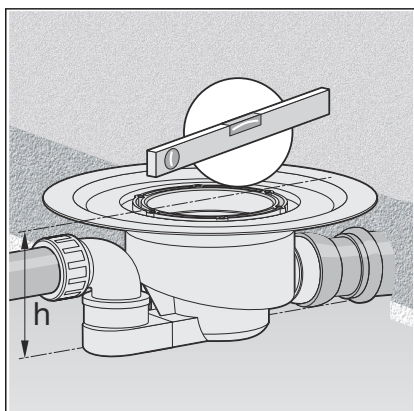


- Push the union nut, sliding ring and sealing element onto the inlet pipe.
- Push the inlet pipe at least 1.5 cm deep into the drain inlet.
- Screw the inlet pipe with the coupling onto the drain inlet.

### 3.2.2 Preparing for subsequent work

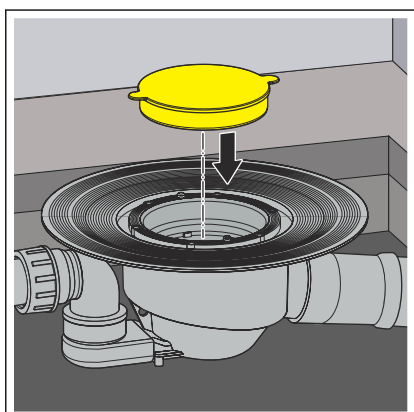
Requirements:

- The drain is connected.
- The inlet is connected.
- Position the drain at the desired height at the place of use. The upper edge of the drain flange must be flush with the upper edge of the sealing layer. If necessary, raise or lower the drain in the existing floor using suitable material.
- Align the drain horizontally using a spirit level.
- Secure the drain in such a way that it cannot shift when the subsequent works are applied.



The fixing eyelets, which are to be found on the underside of the drain, can be used for fixing.

Most importantly, it must be ensured that the drain does not float when the concrete or screed is poured in.



- Insert the yellow protective plug.


**NOTICE!**
**Product damage due to improper installation**

If hollow spaces occur during the lining of the drain, leaks may occur when pressure is applied.

Inform the subsequent workers that the drain must be fully lined and that there must be no hollow spaces.

### 3.2.3 Sealing the drain


**NOTICE!**
**Product damage due to improper installation**

If hollow spaces occur during the lining of the drain, leaks may occur when pressure is applied.

Check the completion of the subsequent work.



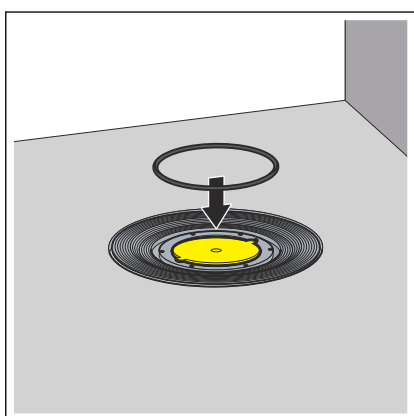
The screed and floor tiles must be laid at an incline of 1–2 % in the direction of the drain.

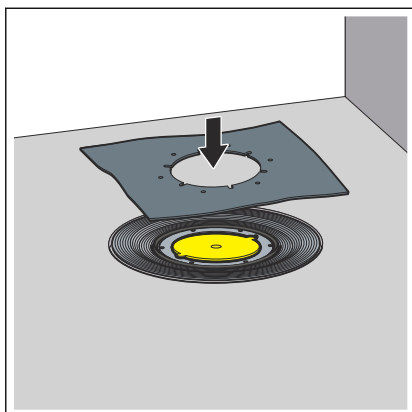
#### Conventional sealing

Requirements:

- A suitable sealing collar and a clamping ring are available.
- The flange is free of heavy soil.
- The complete surface of the flange is lined with material and undamaged.
- If required, clean the flange of coarse soil (e.g. from screed).
- Insert the seal ring.

The seal ring must lie in the groove between the flange and the screw holes.

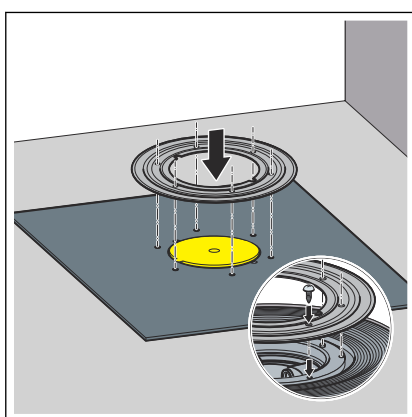




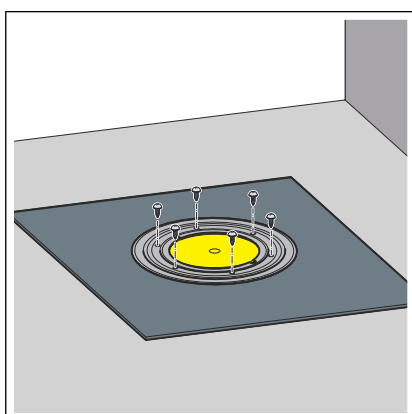
**INFO!** The Viega sealing collar has two differently coated sides. One side is coated with bitumen and the other side with EPDM. If the additional sealing takes place with bitumen sealing lanes, the sealing collar must be used with the bitumen side facing upwards. If EPDM sealing lanes are used, the EPDM side must face upwards.

- Position the sealing collar on the drain.

The screw holes must be visible through the recesses.



- Position the sealing flange on the sealing collar in such a way that the screw holes are visible.



- Screw the sealing flange tightly to the drain.

The fixing screws of the clamping ring may only be screwed into the screw holes of the drain.

- The drain is sealed and the remaining sealing can be laid.

### Bonded sealing

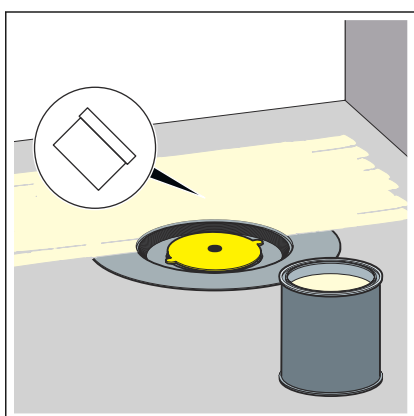
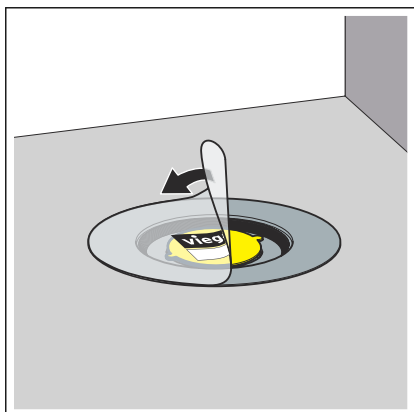


If a bonded sealing is to be applied, a stacking element with sealing collar is required.

You will find corresponding sets in the catalogue (e.g. model 4925 or model 4994).

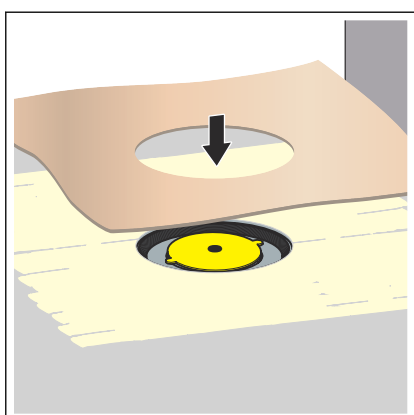
## Requirements:

- The flange is free of heavy soil.
- The complete surface of the flange is lined with material and undamaged.
- Remove the protective foil.

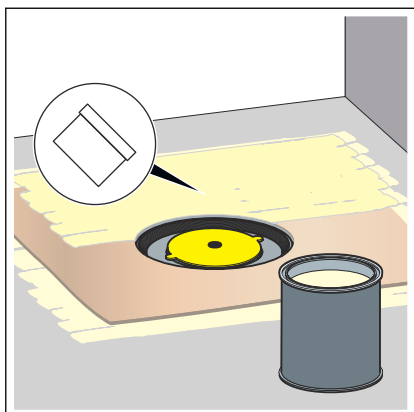


- Apply the bonded sealing on the dry screed and spread to the inner edge of the flange fleece.

**NOTICE!** Observe the bonded sealing manufacturer's instructions for use.



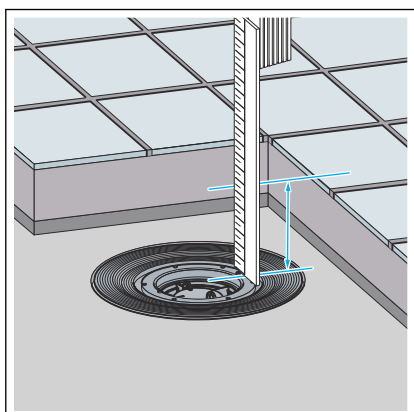
- Lay the sealing collar into the bonded sealing.



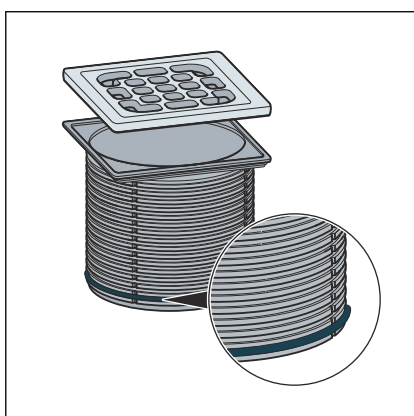
- Apply the second layer of bonded sealing onto the sealing collar and, if necessary, onto the floor.

### 3.2.4 Mounting the top

The top with the grate must be mounted to finish off the mounting of the drain. Proceed as follows:



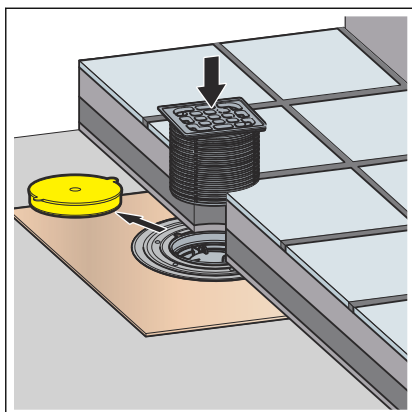
- Calculate the height of the floor construction from the edge in the inside of the drain up to the upper edge of the tiles.
- Starting with the upper edge, transfer the measured height onto the top.
- Cut the top to the marked height.



- If necessary, insert the backflow seal in the lowest notch of the top.

**INFO!** The backflow seal be must employed when no dampness is supposed to flow into the drain from outside of the top but water may seep in from below. Normally, no backflow seal is mounted so that water that occurs around the frame (e.g. due to a leaky silicone joint) can flow away. A backflow seal is mounted in the following cases:

- In the case of the risk of a build-up of water that can soak through the screed.
- During the mounting of a stacking element for the bonded sealing (see instructions for use of the stacking element).



- Remove the yellow protective plug.
- Place the top into the drain and align according to the tiles.
- Work the top into the screed or the floor covering.

### 3.3 Care

#### 3.3.1 Care tips

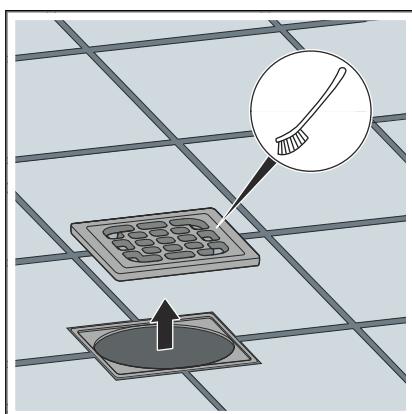
Normal soap or a mild cleaning agent can be used for regular maintenance and prevention of lime scale on the grate and frame. Use no scouring agent or abrasive objects.

Strong stains, even around the drain unit and the odour trap, can be removed using typical household cleaner. Rinse the detergent very thoroughly with clear water after the prescribed dwell time. There should be no residue on the components.

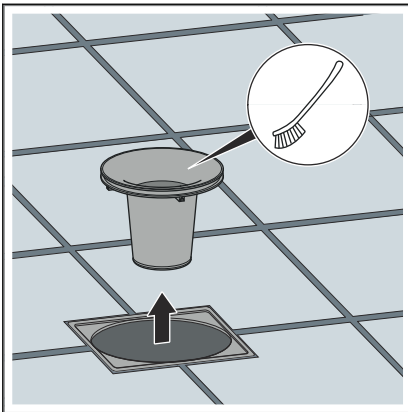
#### 3.3.2 Cleaning the drain

Use a mild cleaning agent and a washing-up brush for cleaning.

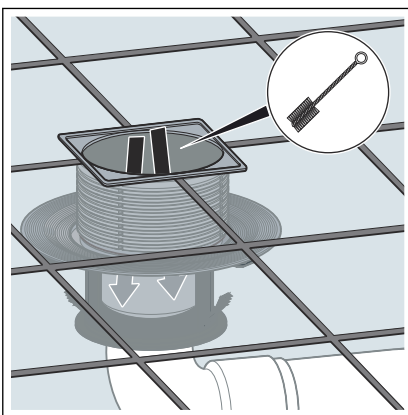
- Remove and clean the grate.







- Remove and clean the immersion pipe.



- Clean the drain.
- Replace the grate.

### 3.4 Disposal

Separate the product and packaging materials (e. g. paper, metal, plastic or non-ferrous metals) and dispose of in accordance with valid national legal requirements.



**Viega GmbH & Co. KG**  
service-technik@viega.de  
viega.com

INT • 2023-08 • VPN230226

