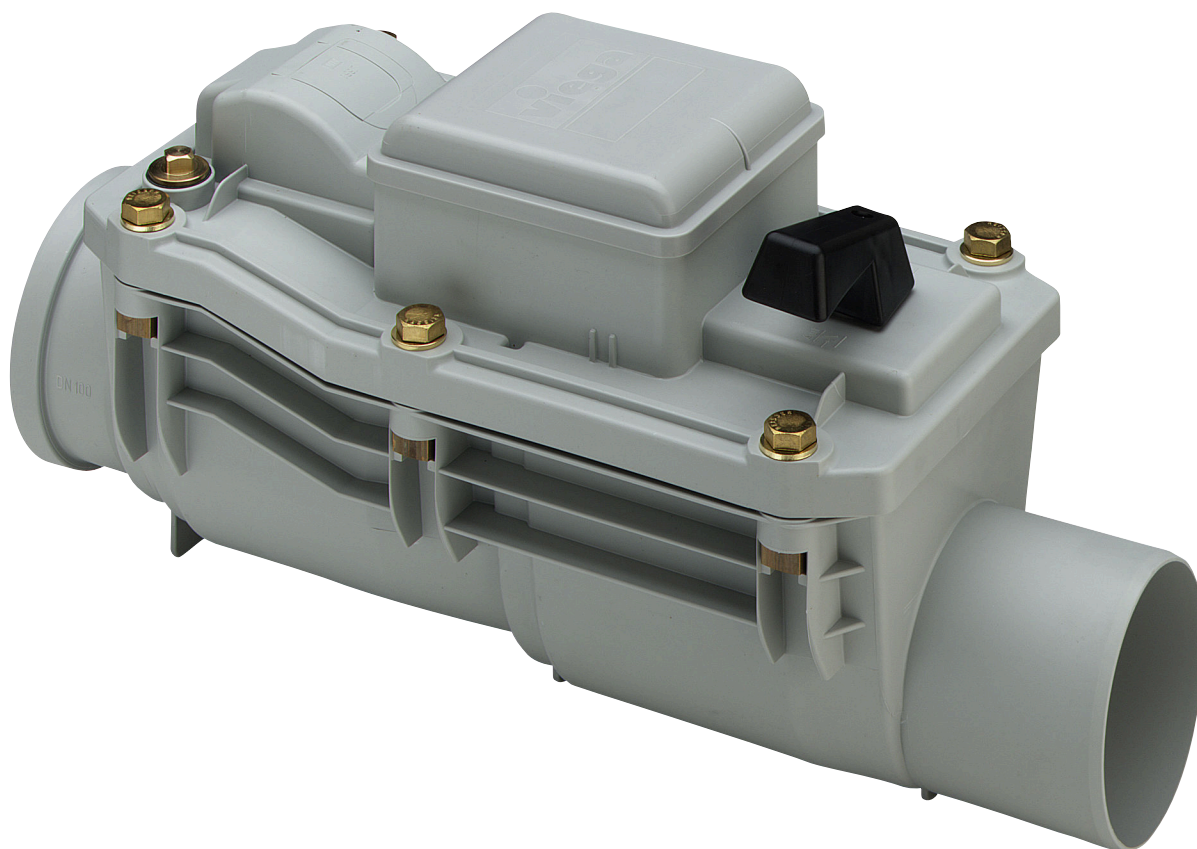


Instructions for Use

Grundfix backflow trap type 2



for faeces-free wastewater pipe

Model
4987.3

Year built (from)
01/1996

viega

Table of contents

1	About these instructions for use	3
	1.1 Target groups	3
	1.2 Labelling of notes	3
	1.3 About this translated version	4
2	Product information	5
	2.1 Standards and regulations	5
	2.2 Intended use	5
	2.2.1 Areas of use	5
	2.2.2 Place of installation and installation conditions	6
	2.2.3 Maintenance	7
	2.3 Product description	8
	2.3.1 Overview	8
	2.3.2 Operating mode	8
	2.3.3 Control elements	8
3	Handling	9
	3.1 Assembly information	9
	3.1.1 Installation dimensions	9
	3.2 Assembly	9
	3.2.1 Mount base unit	9
	3.3 Commissioning	10
	3.3.1 Pressure test	10
	3.4 Care and maintenance	12
	3.4.1 Maintenance	12
	3.5 Disposal	17

1 About these instructions for use

Trade mark rights exist for this document; for further information, go to viega.com/legal.

1.1 Target groups

The information in this instruction manual is directed at the following groups of people:

- Heating and sanitary professionals and trained personnel
- Operators

Individuals without the abovementioned training or qualification are not permitted to mount, install and, if required, maintain this product. This restriction does not extend to possible operating instructions.

The installation of Viega products must take place in accordance with the general rules of engineering and the Viega instructions for use.

1.2 Labelling of notes

Warning and advisory texts are set aside from the remainder of the text and are labelled with the relevant pictographs.



DANGER!

This symbol warns of possible life-threatening injury.



WARNING!

This symbol warns of possible serious injury.



CAUTION!

This symbol warns of possible injury.



NOTICE!

This symbol warns of possible damage to property.



This symbol gives additional information and hints.

1.3 About this translated version

This instruction for use contains important information about the choice of product or system, assembly and commissioning as well as intended use and, if required, maintenance measures. The information about the products, their properties and application technology are based on the current standards in Europe (e. g. EN) and/or in Germany (e. g. DIN/DVGW).

Some passages in the text may refer to technical codes in Europe/Germany. These should serve as recommendations in the absence of corresponding national regulations. The relevant national laws, standards, regulations, directives and other technical provisions take priority over the German/European directives specified in this manual: The information herein is not binding for other countries and regions; as said above, they should be understood as a recommendation.

2 Product information

2.1 Standards and regulations

The following standards and regulations apply to Germany / Europe. National regulations can be found on the relevant web site of your country at viega.com/standards.

Regulations from section: Place of installation and installation conditions

Scope / Notice	Regulations applicable in Germany
Correct place of installation of the backflow trap	EN 12056

Regulations from section: Fields of application

Scope / Notice	Regulations applicable in Germany
Grundfix Plus Control meets the requirements as type 3 backflow trap with double backflow protection	EN 13564

2.2 Intended use

2.2.1 Areas of use

The backflow trap is suitable for use in drain pipelines made of HT or sewer pipe DN 100, 125 or 150. When using other pipes such as e. g. clay pipes or cast-iron pipes, the relevant adapters for HT and sewer pipes must be used.

The backflow trap is suitable for faecal matter free, typical household wastewater up to a temperature of 95 °C with pH values ≥ 4 or ≤ 10 .

Use in industrial areas or in pipelines, which transport aggressive liquids is not permitted. This includes cleaning agents, which can damage sanitary equipment, drainage equipment and pipe materials.

Viega recommends closing the emergency trap if operation, where no wastewater is produced, is interrupted for a number of days.

2.2.2 Place of installation and installation conditions

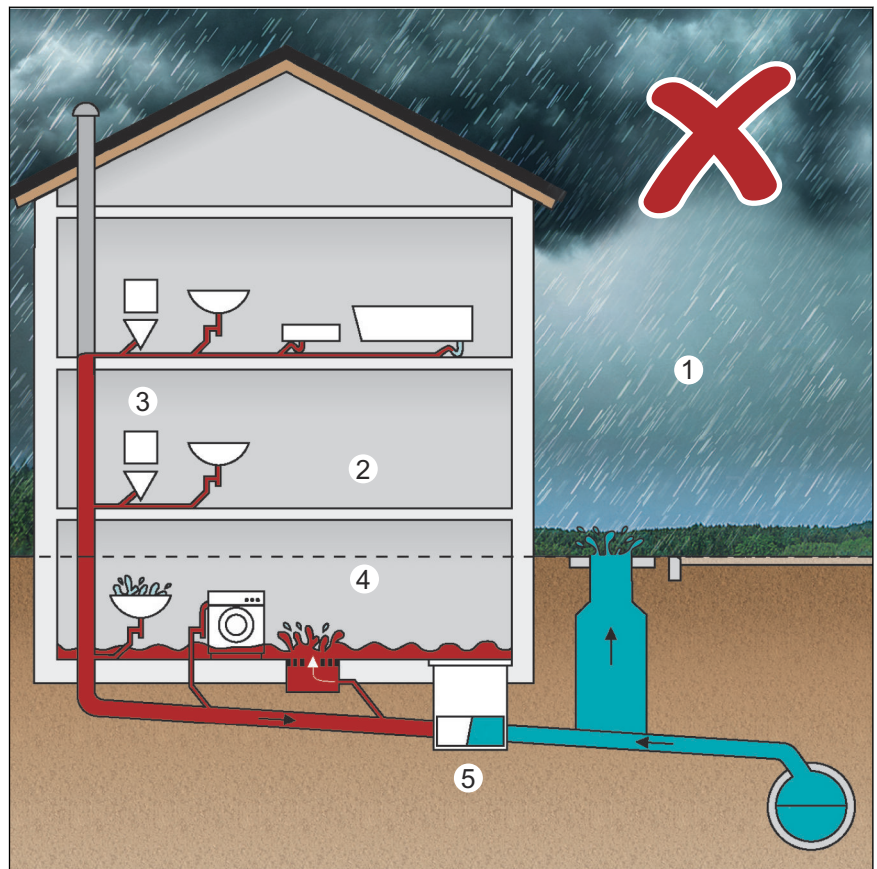


Fig. 1: Wrong place of installation of the backflow trap

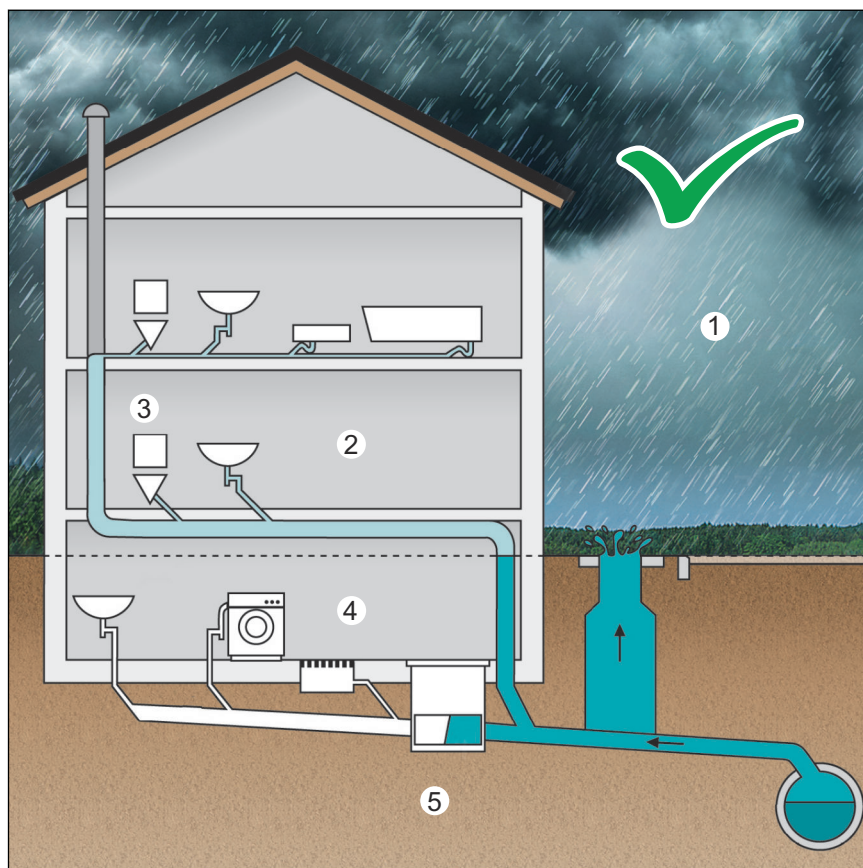


Fig. 2: Correct place of installation of the backflow trap

- 1 - Street = Backflow level
- 2 - Area safe from backflow
- 3 - Connection upper floor
- 4 - Area at risk of backflow
- 5 - Protection against backflow through backflow trap

The connection of the upper floor (3) onto the underground pipe must be made between the backflow trap and sewer within the building (5) – only then is it possible to ensure that the wastewater system can function faultlessly. To ensure that drainage is permanently guaranteed, backflow traps may not be employed as the central safeguard for a building with drainage equipment installed above the backflow level (1) – in the event of backflow, it would lead to flooding in the building due to wastewater being unable to drain away (4).

See [☞](#) ‘Regulations from section: Place of installation and installation conditions’ on page 5

Backflow seals should be installed in such a way that they are always accessible.

2.2.3 Maintenance

Maintenance must be carried out twice a year to ensure safe operation. See [☞](#) Chapter 3.4.1 ‘Maintenance’ on page 12

2.3 Product description

2.3.1 Overview

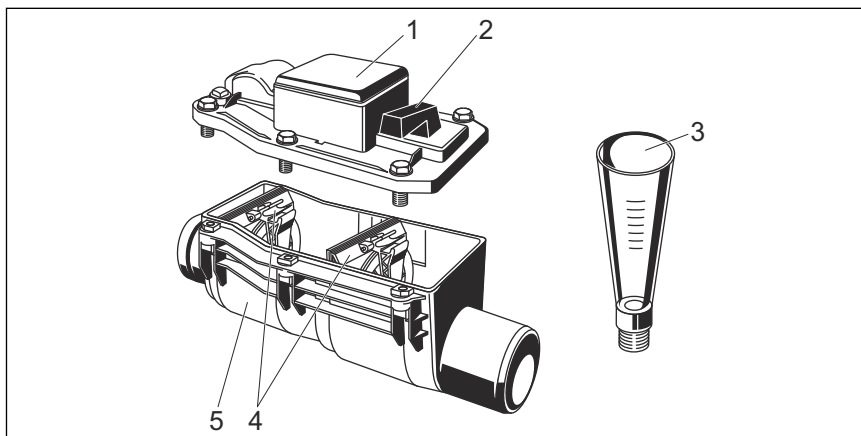


Fig. 3: Backflow trap Grundfix type 2

- 1 - lid
- 2 - emergency lock actuation
- 3 - measuring funnel
- 4 - shutter valves
- 5 - base unit

2.3.2 Operating mode

In the case of backflow, the pipeline will be closed by both shutter valves in the backflow trap. In addition, the shutter valve can be closed manually.

2.3.3 Control elements

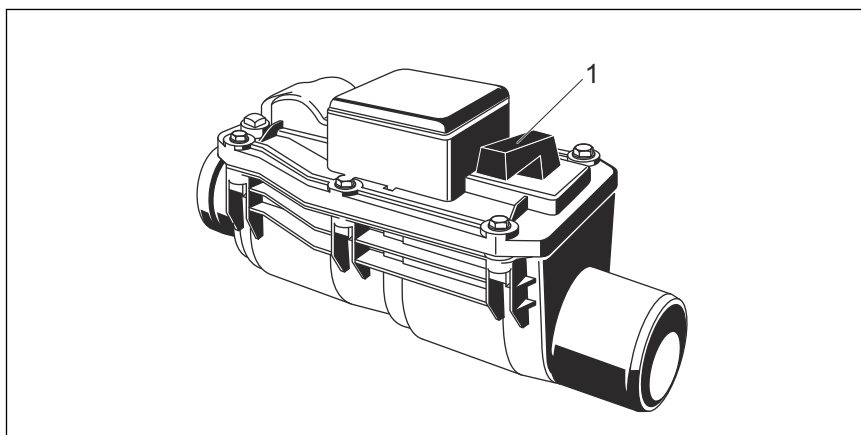


Fig. 4: Control elements backflow trap

- 1 - Emergency shut-off

3 Handling

3.1 Assembly information

3.1.1 Installation dimensions

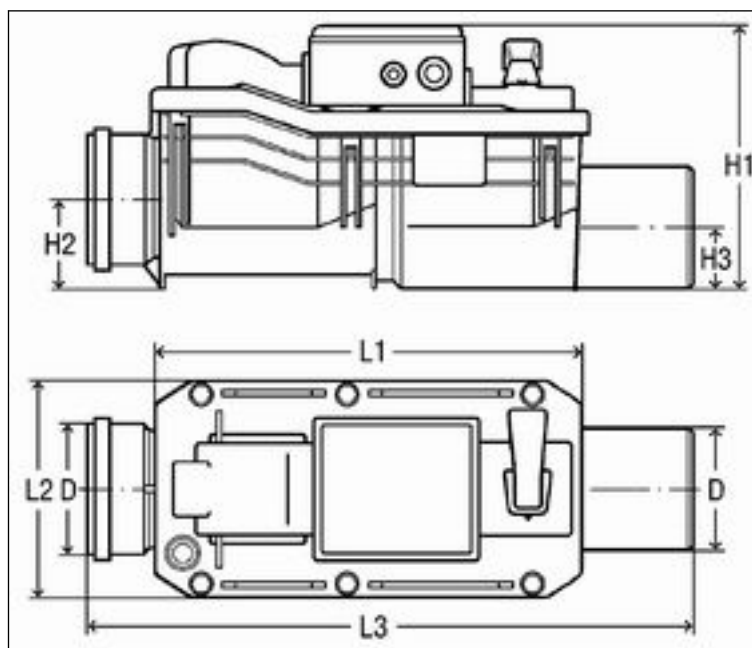


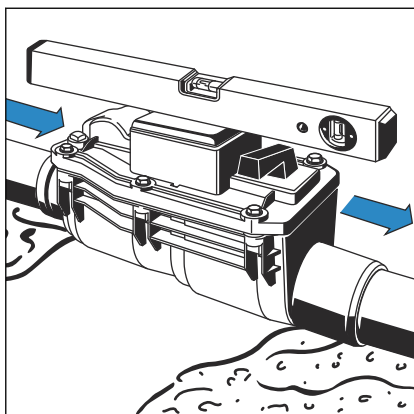
Fig. 5: Installation dimensions

D	H1	H2	H3	L1	L2	L3
110	260	100	65	405	215	545
125	260	105	75	405	215	550
160	295	125	95	470	245	640

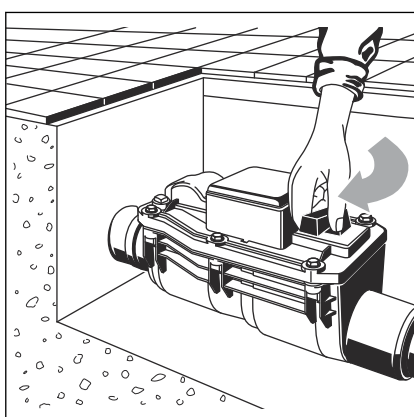
3.2 Assembly

3.2.1 Mount base unit

The installation in the drainage pipeline may only be carried out by construction or specialised sanitary companies observing the building regulations and following this instruction for use.



- Install the base unit horizontally into the base pipeline.
Observe flow direction!
- At maximum, line up to the middle of the drainpipe.

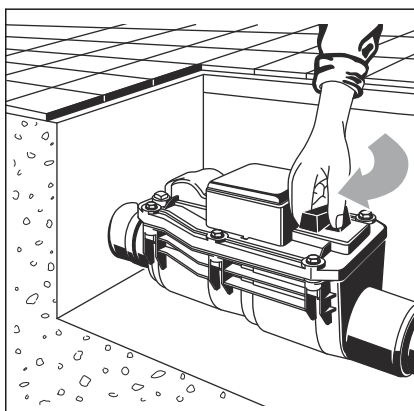


- Close emergency shut-off (position "OFF").
In this way, damage from flooding can be avoided before commissioning.

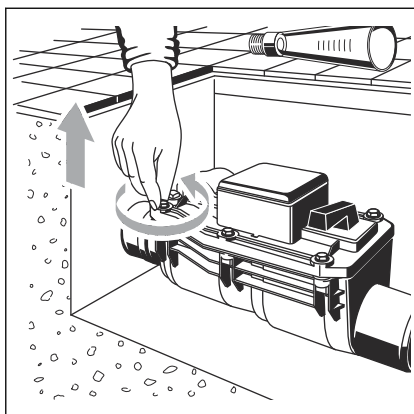
3.3 Commissioning

3.3.1 Pressure test

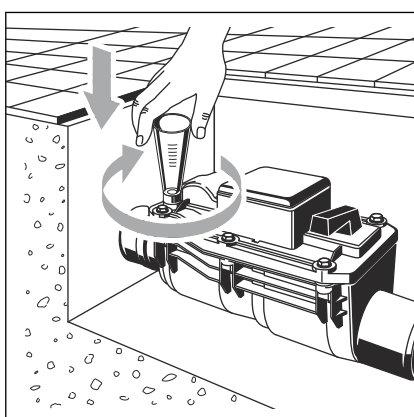
A pressure test must be carried out after mounting.



- Place the emergency lock to "ZU (OFF)" position.

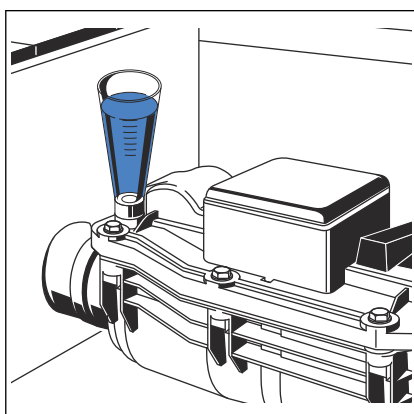


- Screw the brass plug out of the lid.

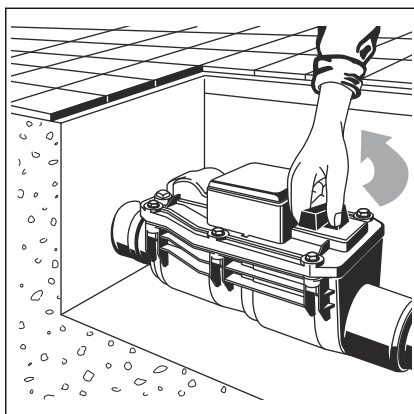


- Screw in test funnel.

Fig. 6: Screw in backflow_trap_Grundfix 4987.3_test funnel

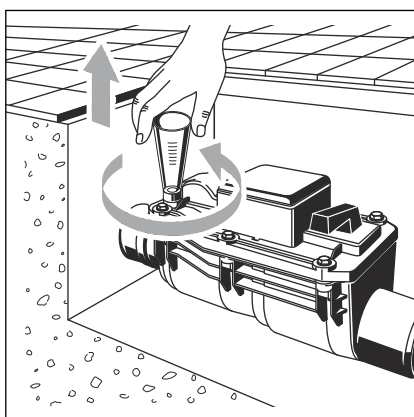


- Fill water to the top marking of the test funnel.
- Keep the water level in the test funnel constant for 10 minutes by replenishing. Observe loss.
 - If the loss is greater than 0.5 l, check and, if required, replace the seals on the flaps.

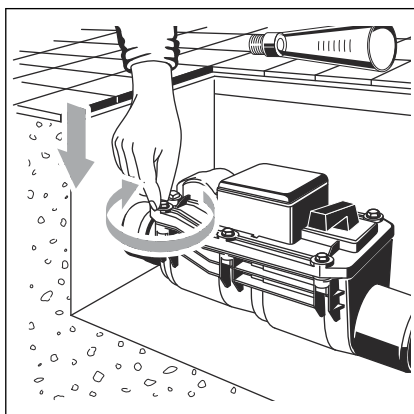


► Place the emergency lock to "AUF (ON)" position.

◻ The water drains away.



► Remove test funnel.



► Screw in brass plug.

3.4 Care and maintenance

3.4.1 Maintenance

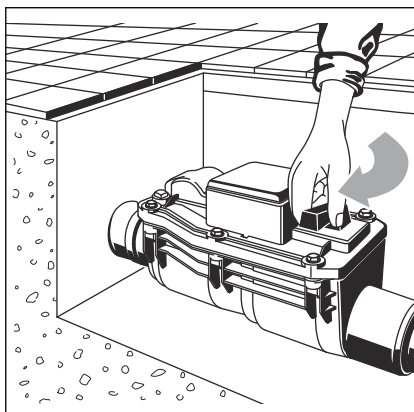
DIN 1986-3 requires "Maintenance" of the system twice a year to ensure safe operation.

Requirements:

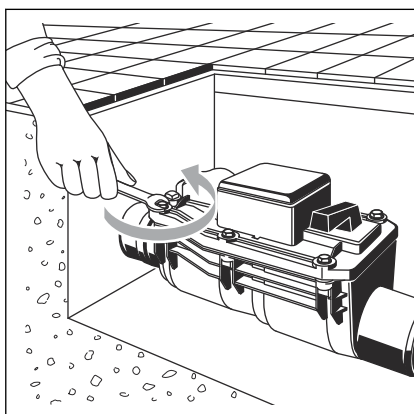
- Maintenance must be carried out by a professional.
- Only use original parts for repairs, maintenance and extensions.
- Replace defective components, do not repair.

- When using cameras and cleaning devices (cleaning spiral, high-pressure cleaner), protect the backflow trap against mechanical damage.
- Only begin maintenance work when is certain that there is no back flow situation and the drainage fittings upstream from the Backflow trap are not being used.

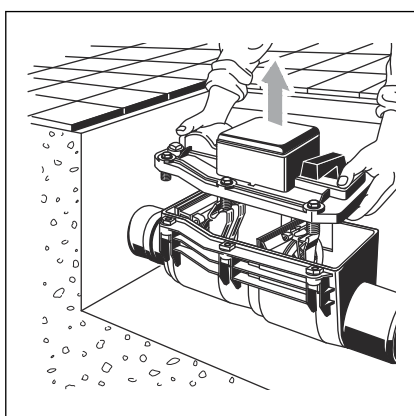
Clean



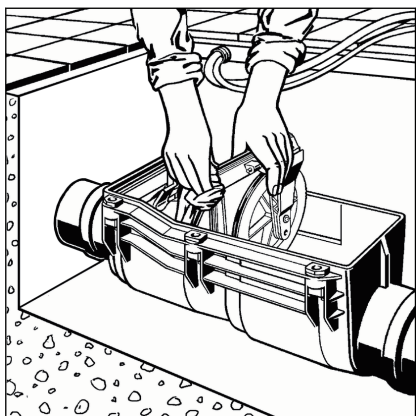
- Place the emergency lock to "ZU (OFF)" position.



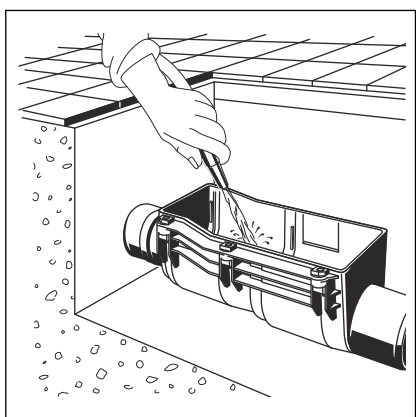
- Loosen screws on the lid.



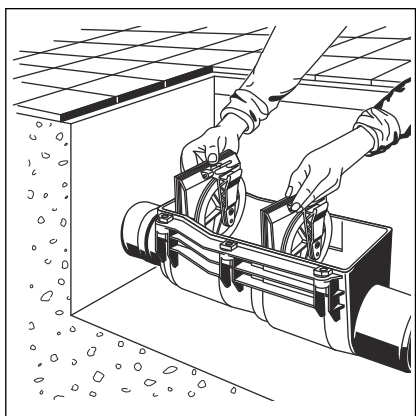
- Carefully remove lid.



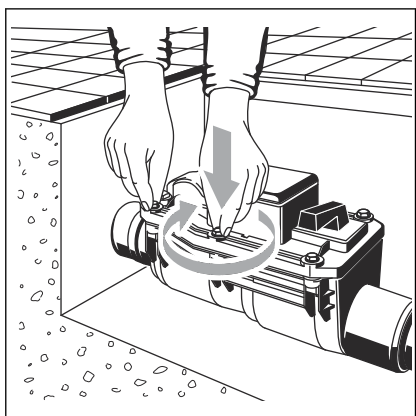
- Remove and clean flaps.
- Check seals, if necessary, replace.



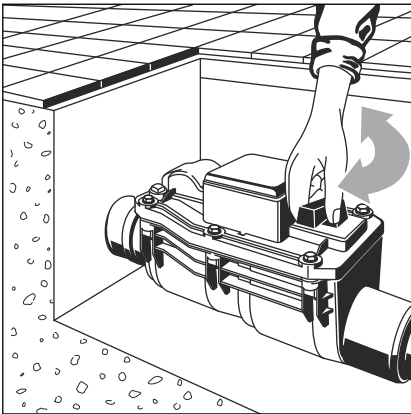
- Clean casing.
- The seals of the partition walls must be greased with silicon grease.



- Install flaps.

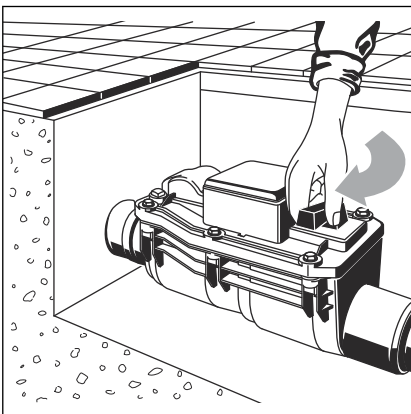


- Position and screw on lid.

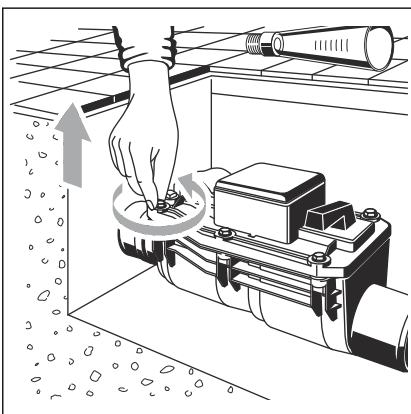


- Open and close the emergency lock with the manual actuator – check functionality.

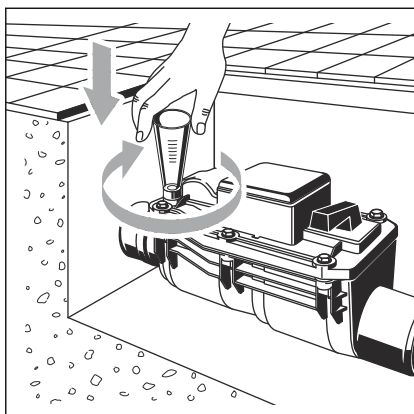
Leakage test



- After cleaning, a pressure test must be carried out.
- Place the emergency lock to "ZU (OFF)" position.

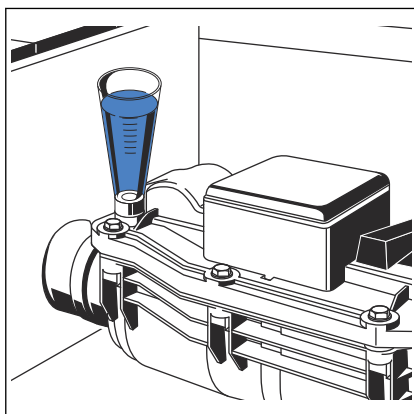


- Screw the brass plug out of the lid.

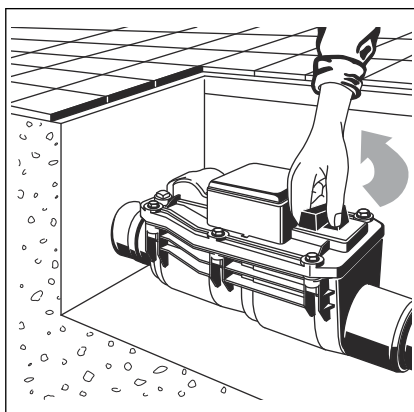


- Screw in test funnel.

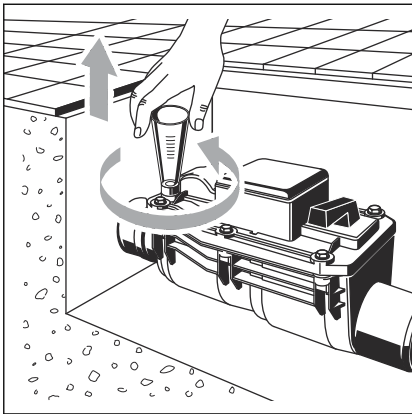
Fig. 7: Screw in backflow_trap_Grundfix 4987.3_test funnel



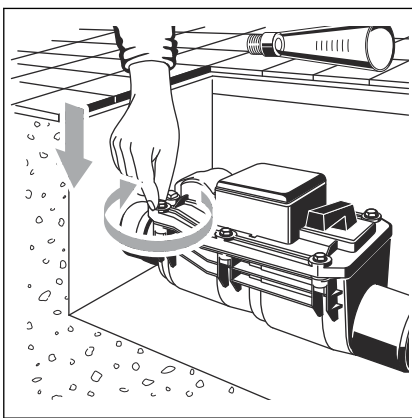
- Fill water to the top marking of the test funnel.
- Keep the water level in the test funnel constant for 10 minutes by replenishing. Observe loss.
 - ⊞ If the loss is greater than 0.5 l, check and, if required, replace the seals on the flaps.



- Place the emergency lock to "AUF (ON)" position.
 - ⊞ The water drains away.



► Remove test funnel.



► Screw in brass plug.

3.5 Disposal

Separate the product and packaging materials (e. g. paper, metal, plastic or non-ferrous metals) and dispose of in accordance with valid national legal requirements.



Viega GmbH & Co. KG
service-technik@viega.de
viega.com

INT • 2022-08 • VPN170312

