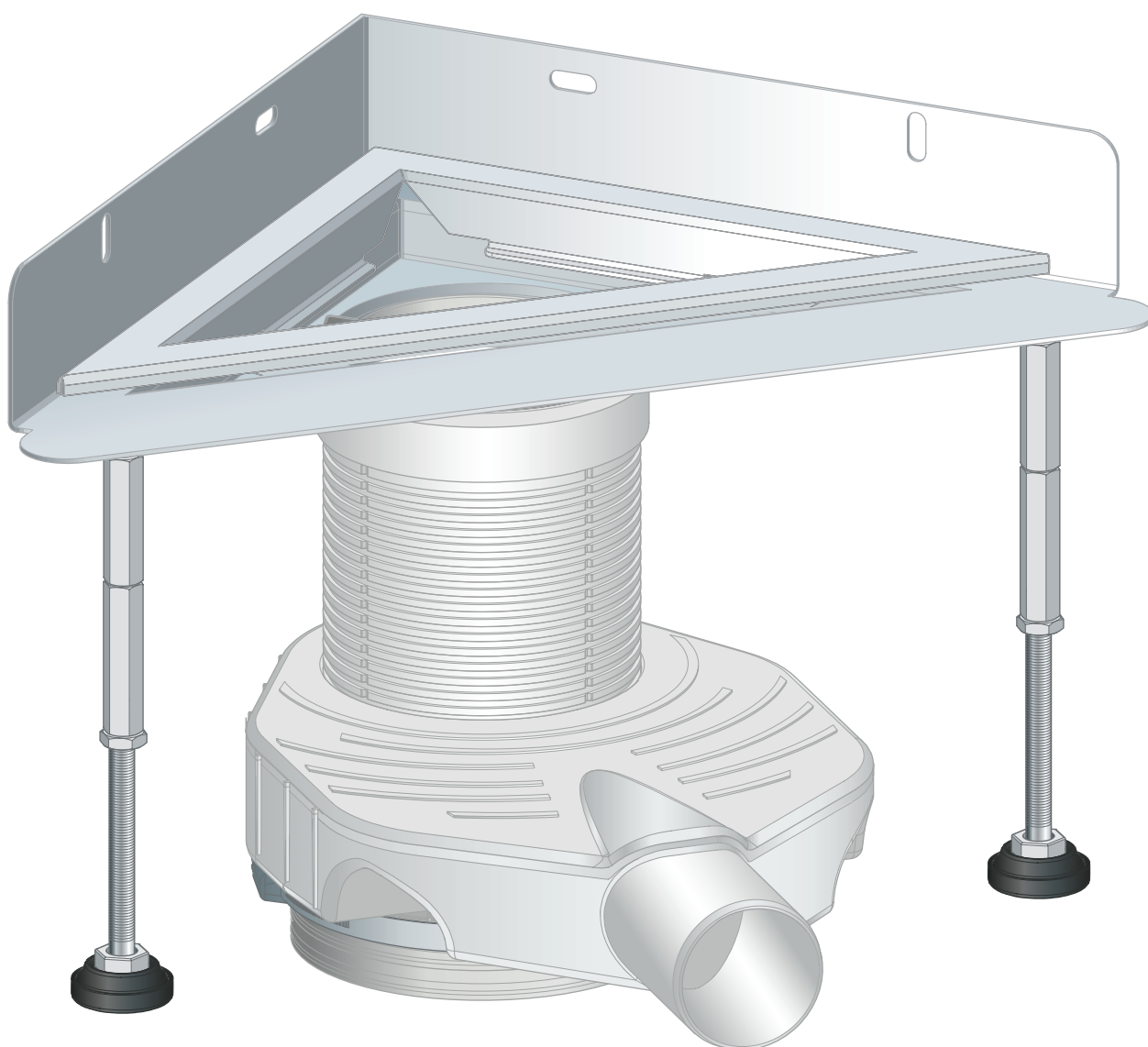


Instructions for Use

Advantix corner drain



for bonded sealing (tiled shower) with sealing mat

Model
4972.81

Year built (from)
01/2008

viega

Table of contents

1	About these instructions for use	4
	1.1 Target groups	4
	1.2 Labelling of notes	4
	1.3 About this translated version	5
2	Product information	6
	2.1 Standards and regulations	6
	2.2 Certification	7
	2.3 Intended use	7
	2.3.1 Areas of application	7
	2.3.2 Media	8
	2.3.3 Drainage capacity	8
	2.4 Product description	9
	2.4.1 Overview	9
	2.4.2 Technical data	10
	2.4.3 Sound protection	10
	2.5 Information for use	10
	2.5.1 Sealing	10
	2.5.2 Fire protection	12
	2.6 Required accessories	12
3	Handling	13
	3.1 Assembly information	13
	3.1.1 Important note	13
	3.1.2 Installation dimensions	14
	3.1.3 Tools and materials	14
	3.2 Assembly	15
	3.2.1 Determine height	15
	3.2.2 Mounting base unit	19
	3.2.3 Align corner drain	21
	3.2.4 Connecting and securing the corner drain	22
	3.2.5 Preparing for further work	23
	3.2.6 Sealing the corner drain	25
	3.2.7 Insert grate frame	27
	3.3 Care	30
	3.3.1 Care tips	30
	3.3.2 Cleaning	30

3.4 Disposal	31
--------------	----

1 About these instructions for use

Trade mark rights exist for this document; for further information, go to viega.com/legal.

1.1 Target groups

The information in this instruction manual is directed at the following groups of people:

- Heating and plumbing experts and trained personnel
- Tilers
- Consumers

Individuals without the abovementioned training or qualification are not permitted to mount, install and, if required, maintain this product. This restriction does not extend to possible operating instructions.

The installation of Viega products must take place in accordance with the general rules of engineering and the Viega instructions for use.

1.2 Labelling of notes

Warning and advisory texts are set aside from the remainder of the text and are labelled with the relevant pictographs.



DANGER!

This symbol warns of possible life-threatening injury.



WARNING!

This symbol warns of possible serious injury.



CAUTION!

This symbol warns of possible injury.



NOTICE!

This symbol warns of possible damage to property.



This symbol gives additional information and hints.

1.3 About this translated version

This instruction for use contains important information about the choice of product or system, assembly and commissioning as well as intended use and, if required, maintenance measures. The information about the products, their properties and application technology are based on the current standards in Europe (e.g. EN) and/or in Germany (e.g. DIN/DVGW).

Some passages in the text may refer to technical codes in Europe/Germany. These should serve as recommendations in the absence of corresponding national regulations. The relevant national laws, standards, regulations, directives and other technical provisions take priority over the German/European directives specified in this manual: The information herein is not binding for other countries and regions; as said above, they should be understood as a recommendation.

2 Product information

2.1 Standards and regulations

The following standards and regulations apply to Germany / Europe and are provided as a support feature.

Regulations from section: Sealing

Scope / Notice	Regulations applicable in Germany
Stress class of the underground, as well as suitable bonded sealing	ZDB-Merkblatt 8/2012
Stress class of the underground, as well as suitable bonded sealing	Leitfaden zur Abdichtung im Verbund (AIV)
Approved bonded sealings with proof of practicability in keeping with building law for stress classes A and AO	ETAG 022 T1
Approved bonded sealings with proof of practicability in keeping with building law for stress classes A, B and C	DIBt-Bauregelliste A, Teil 2 des DIBt und Prüfgrundsätze für Abdichtungen im Verbund (PG AIV-F)
Permitted bonded sealings	EN 14891
Sealing of inside rooms	DIN18534

Regulations from section: Media



Scope / Notice	Regulations applicable in Germany
Typical domestic wastewater	DIN 1986-3

Regulations from section: Sound protection

Scope / Notice	Regulations applicable in Germany
Fulfilled noise protection requirements	DIN 4109
Fulfilled noise protection requirements	VDI 4100

2.2 Certification

Data acc. to DIN EN 1253, Table 7

Manufacturer	Viega GmbH & Co.KG
Manufacturer identification mark	
Certificate of conformity	
Address	Viega GmbH & Co.KG Viega Platz 1 57439 Attendorn Germany
Relevant standard	DIN EN 1253-1
Load class	K3
DN	40/50
Product class with respect to temperature behaviour	A
Specific run-off behaviour	≥ 0.4 l/s

2.3 Intended use

2.3.1 Areas of application

The drain is used in the bathroom for a floor-level shower. The drain is dimensioned for small to medium volumes of water, which occur in e.g. residential buildings.

Technical information, see ↗ *Chapter 2.4.2 'Technical data' on page 10.*

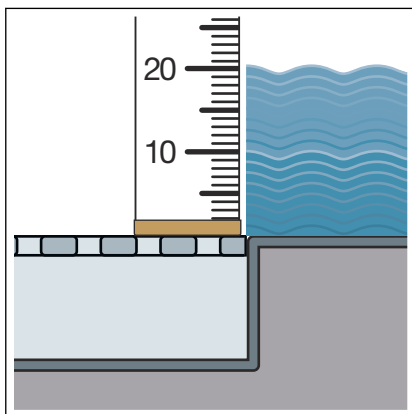
2.3.2 Media

The drain is intended for draining wastewater commonly encountered in households in constant operation, see ↪ *'Regulations from section: Media' on page 6.*

- The short-term temperature of the wastewater may reach up to 95° C. The temperature must be considerably lower in constant operation.
- The pH value must be higher than four but lower than ten.

It is not permitted to introduce wastewater, which could damage the product material.

2.3.3 Drainage capacity



The drainage capacity is dependent on the chosen installation height. The installation height is the distance from the drain to the flange.

Drainage capacity at an accumulation height of 10 mm above the grate: 0.75

Drainage capacity at an accumulation height of 20 mm above the grate: 0.8

2.4 Product description

2.4.1 Overview

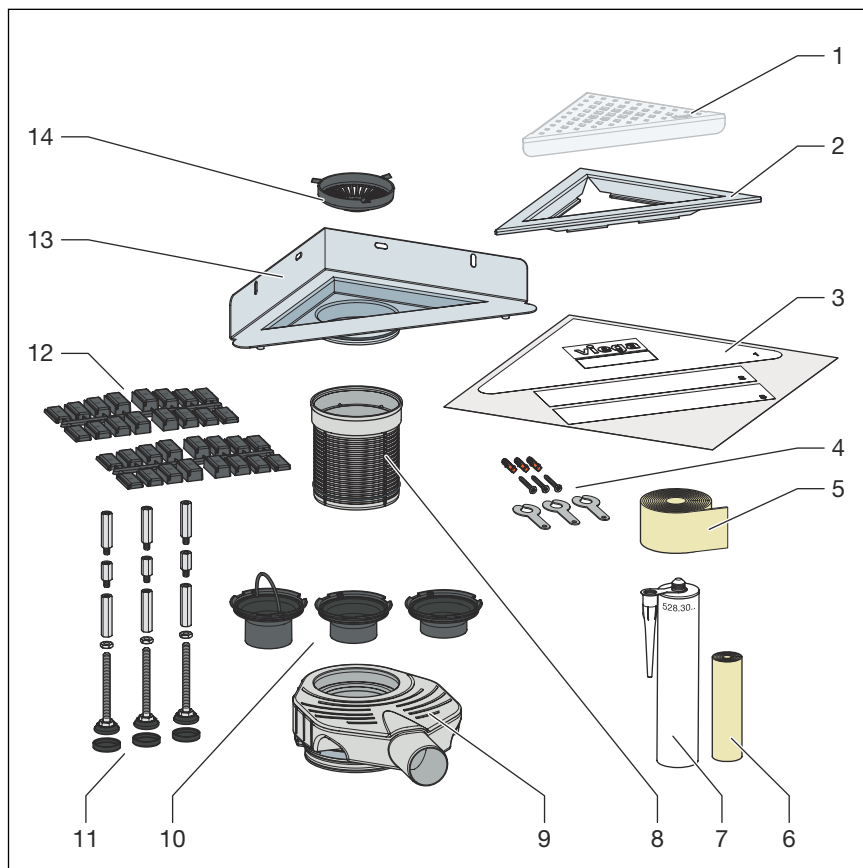


Fig. 1: Components and scope of delivery

- 1 - Grate*
- 2 - Grate frame
- 3 - Protective foil
- 4 - Fixing screws
- 5 - Sound protection strip
- 6 - Sealing tape
- 7 - Mounting adhesive
- 8 - Height adjustment piece
- 9 - Odour trap
- 10 - Immersion pipe
- 11 - Feet and height adjustment
- 12 - Spacers
- 13 - Drain unit with flange
- 14 - Sieve

* Not included in scope of delivery

2.4.2 Technical data

Nominal width [DN]	40 / 50
Material	Base unit made of plastic (polypropylene) Stainless steel drain unit 1.4301
Drainage capacity	↪ Chapter 2.3.3 'Drainage capacity' on page 8
Dimensions and installation height	↪ Chapter 3.1.2 'Installation dimensions' on page 14
Water seal level	110–119 mm installation height: 35 mm 120–129 mm installation height: 40 mm 130–200 mm installation height: 50 mm
Load class	K = 300 kg

2.4.3 Sound protection

The measured sound level during water drainage is 19 dB(A). For information on sound protection requirements met, see ↪ 'Regulations from section: Sound protection' on page 6.

2.5 Information for use

2.5.1 Sealing

Bonded sealing

To protect against moisture penetration, apply sealing foils, which are to be processed in liquid state, directly below the tiles on screed and walls. The determination of the stress class and the underground as well as the selection of the suitable bonded sealing must be carried out in compliance with the valid standards and regulations, see: ↪ 'Regulations from section: Sealing' on page 6.

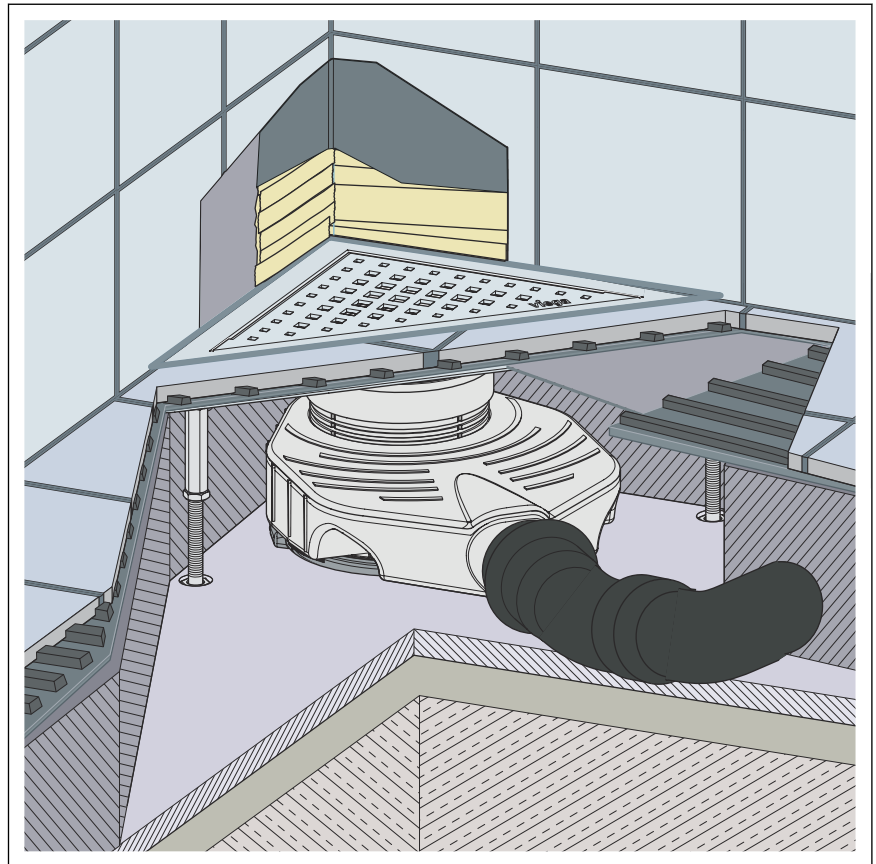


Fig. 2: Diagram of a bonded seal with corner drain

2.5.2 Fire protection

Advantix shower channels and drains can both be fitted to be fire proof. The R120 pipe lead-in can be used for this purpose in the floor construction. In this way, a fire resistance time of up to 120 minutes can be achieved.

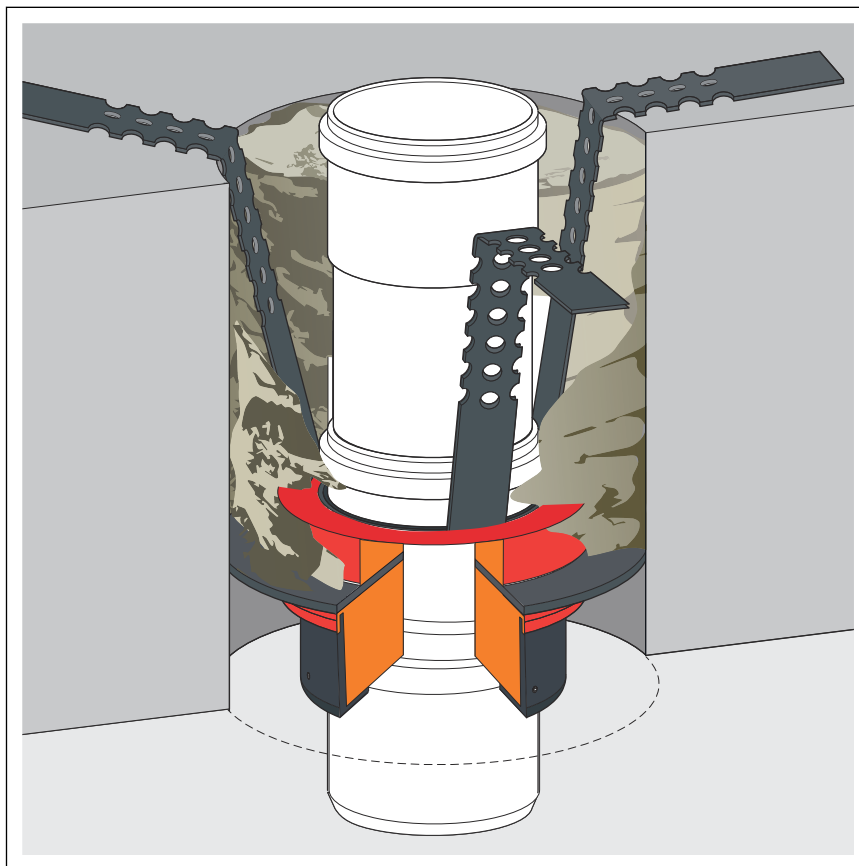
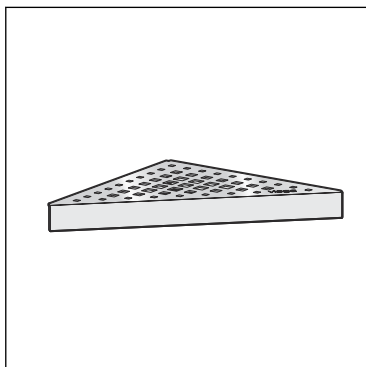


Fig. 3: Example: fire protection pipe lead-in

For mounting instructions for the R120 pipe lead-in see model 4923.5, art. no. 491 673.

2.6 Required accessories



The grate is not included in the scope of delivery and can be ordered separately (see catalogue).

3 Handling

3.1 Assembly information

3.1.1 Important note

Before assembly:

- Check if the drainage capacity of the model chosen is sufficient for the arising water volume ↪ *Chapter 2.3.3 'Drainage capacity' on page 8.*
- An adequate level of floor covering stability must be guaranteed ↪ *Chapter 2.4.2 'Technical data' on page 10.* This can be achieved either through an adequate screed thickness or another alternative solution. Relevant measures must be considered before mounting.

During assembly:

- Observe installation dimensions.
- Do not use mounting adhesive older than 18 months.
- Position the drain in such a way that the grate is removable.

After assembly:

- The drain must be fully lined with mortar.
- The sealing accessories should be given to the person responsible for the bonded sealing (e.g. tiler).
- Coordinate all relevant installation details, especially regarding the bonded sealing, with those responsible for the subsequent work.

3.1.2 Installation dimensions

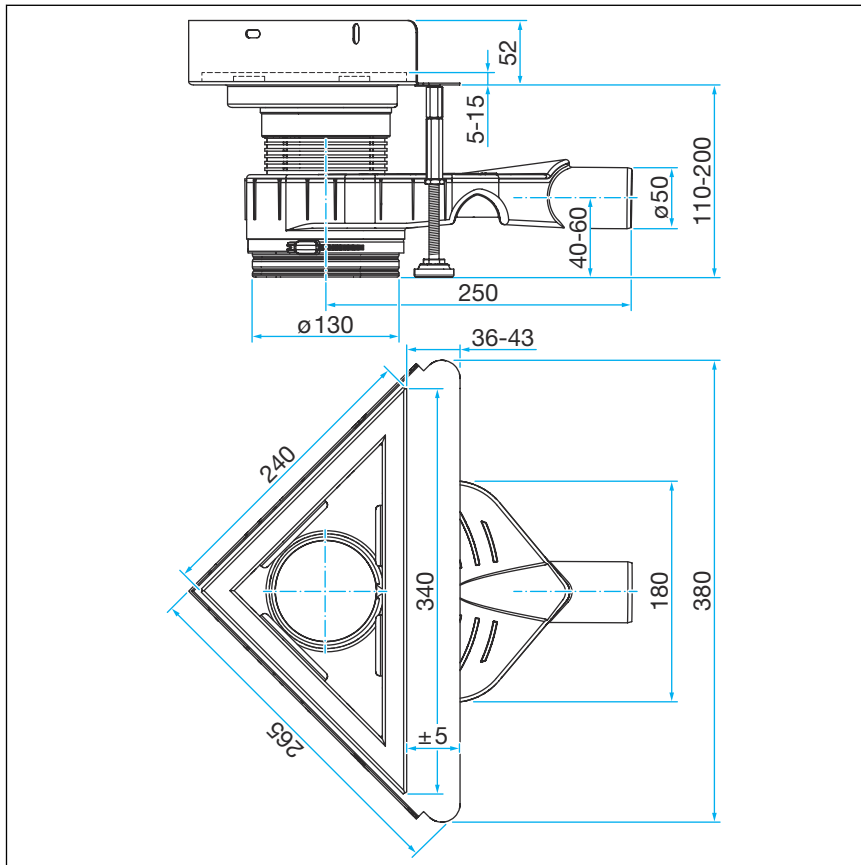


Fig. 4: Dimensions

3.1.3 Tools and materials

Mounting adhesive

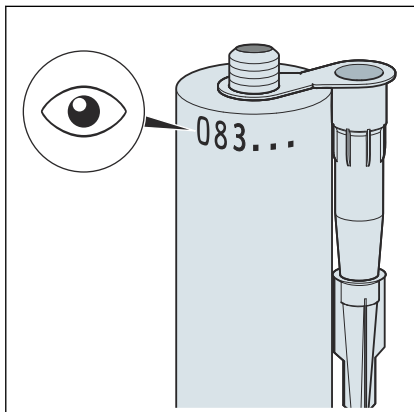


Fig. 5: Filling date of the mounting adhesive

Mounting adhesive can be used for a maximum of 18 months.

The filling date is found on the top edge of the cartridge. The first two numbers represent the month, the following number the year.

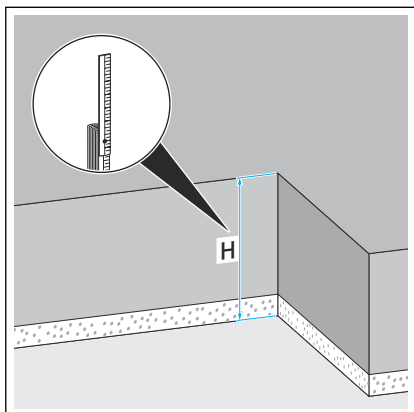
Example

083...

Filling date = August (08) 2023 (3)

3.2 Assembly

3.2.1 Determine height



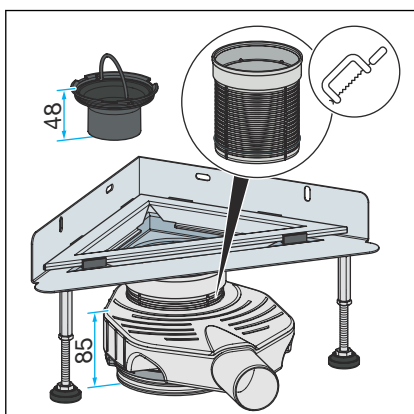
- Determine the installation height.

There are three different installation heights:

- 130–200 mm ↪ *'Installation height 130–200 mm' on page 15*
- 120–129 mm ↪ *'Installation height 120–129 mm' on page 16*
- 110–119 mm ↪ *'Installation height 110–119 mm' on page 17*

In its delivery state, the height of the base unit is 200 mm.

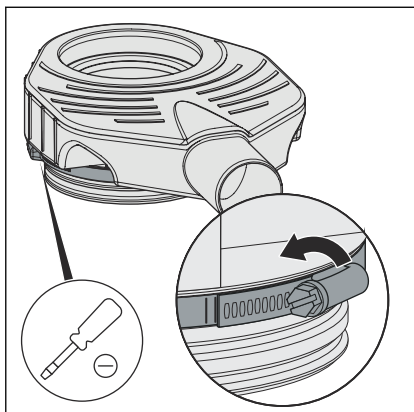
Installation height 130–200 mm



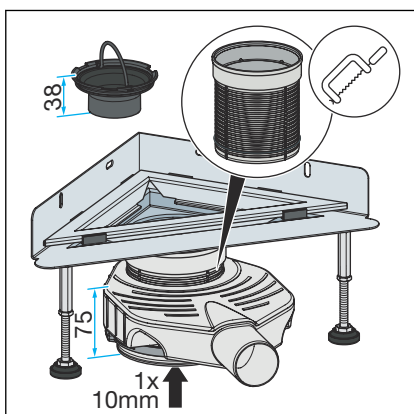
- Shorten the height adjustment piece accordingly.
- Insert the 48 mm long immersion pipe.
The water seal level remains 50 mm.
- Check height and correct if necessary ↪ ***'Correct height adjustment' on page 18.***

Then continue: ↪ *Chapter 3.2.2 'Mounting base unit' on page 19.*

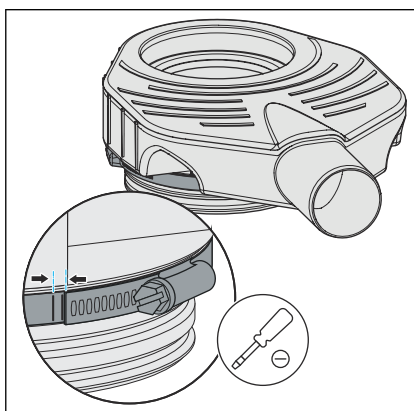
Installation height 120–129 mm



- Loosen the fastening ring with a screwdriver.



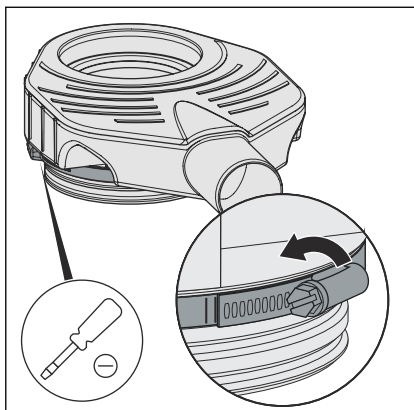
- Push the floor piece in by one ring (1 x 10 mm).
The fine tuning within these dimensions is done via the height adjustment piece.
- Insert the 38 mm long immersion pipe.
The water seal level reduces to 40 mm.



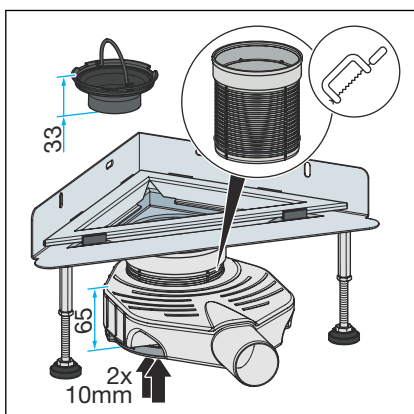
- Tighten the mounting ring to a maximum of $2.5 \text{ Nm} \pm 0.2 \text{ Nm}$ using a screwdriver.
- Alternatively, the screw can be tightened until the markings on the mounting ring match up.
- Check the height and correct it if necessary ↗ **‘Correct height adjustment’ on page 18.**

Then continue: ↗ Chapter 3.2.2 ‘Mounting base unit’ on page 19.

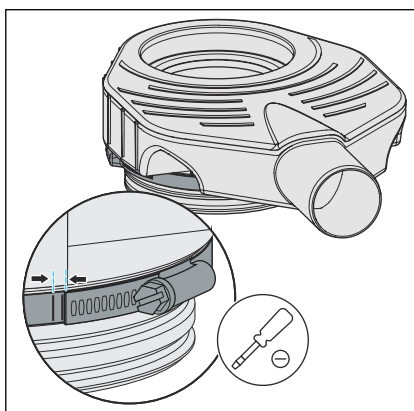
Installation height 110–119 mm



- Loosen the fastening ring with a screwdriver.



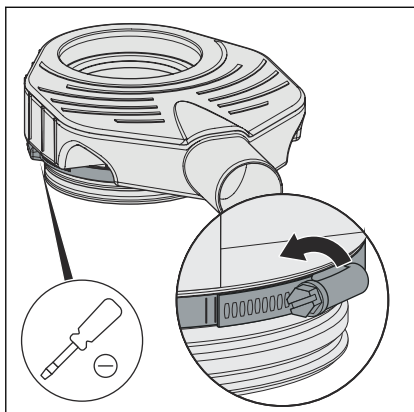
- Push in the floor piece by two rings (2 x 10 mm).
The fine tuning within these dimensions is done via the height adjustment piece.
- Insert the 33 mm long immersion pipe.
The water seal level reduces to 35 mm.



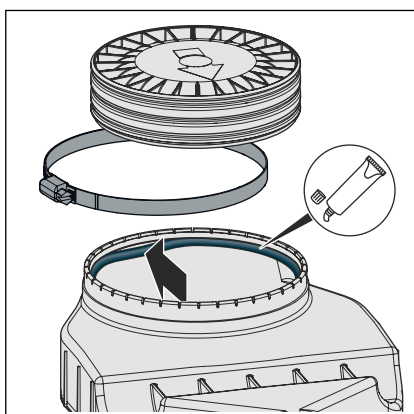
- Tighten the mounting ring to a maximum of $2.5 \text{ Nm} \pm 0.2 \text{ Nm}$ using a screwdriver.
- Alternatively, the screw can be tightened until the markings on the mounting ring match up.
- Check the height and correct it if necessary ↗ **‘Correct height adjustment’ on page 18.**

Then continue: ↗ Chapter 3.2.2 ‘Mounting base unit’ on page 19.

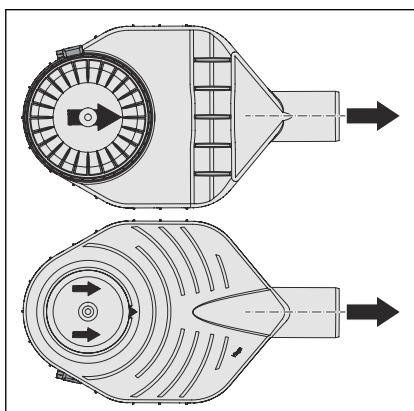
Correct height adjustment



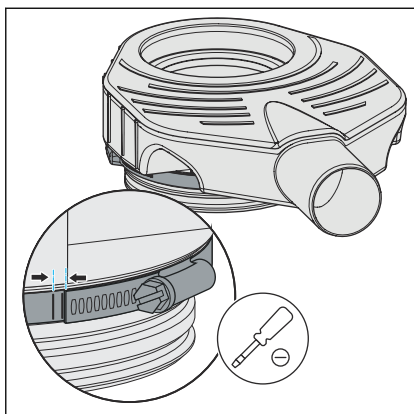
- Loosen the fastening ring with a screwdriver.



- Remove the floor piece or push it into the drain.
- Remove the floor piece.
- Lay the greased O-Ring into the casing (see arrow).
- Push the floor piece straight into the required position in the drain.

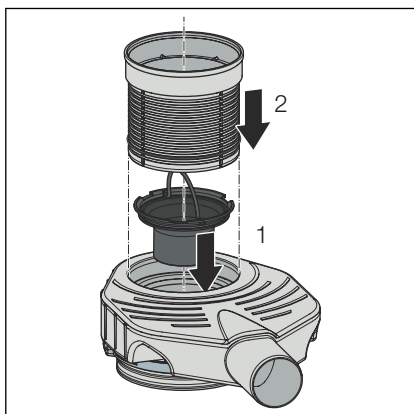


- The arrow on the base of the odour trap must be pointed towards the drain.

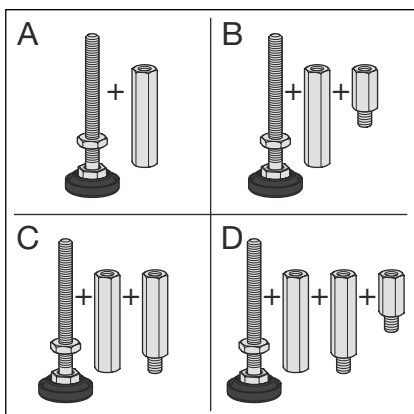


- Tighten the mounting ring to a maximum of $2.5 \text{ Nm} \pm 0.2 \text{ Nm}$ using a screwdriver.
- Alternatively, the screw can be tightened until the markings on the mounting ring match up.

3.2.2 Mounting base unit

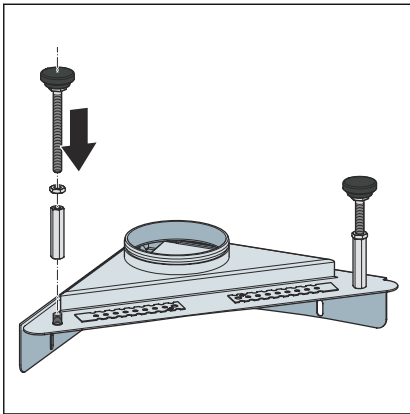


- Insert the immersion pipe.
- Insert the height adjustment piece with the sealing element.



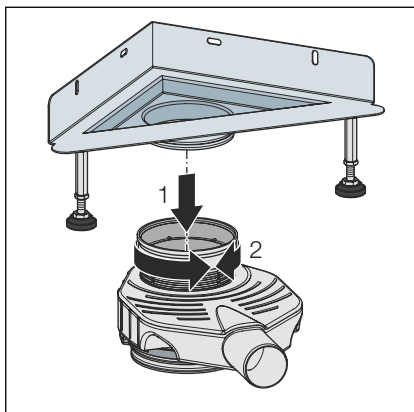
Depending on the desired installation height, additional height adjustments may have to be mounted in addition to the feet:

Height of the corner drain	Height adjustment as per illustration
110–140 mm	A
140–165 mm	B
170–190 mm	C
190–215 mm	D

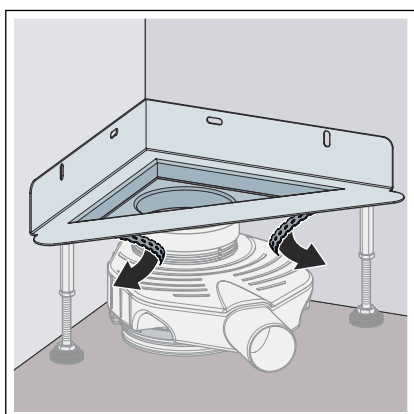


- Mount the feet and the height adjustment.
- Insert the rubber caps.
- Apply the protective foil.

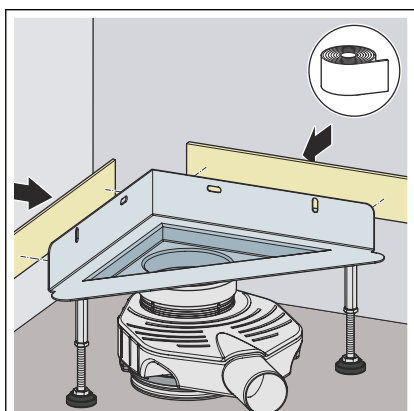
3.2.3 Align corner drain



- Press the drain socket into the height adjustment piece as far as it will go.
- Correct drain position, if necessary. To do this, turn the height adjustment piece.

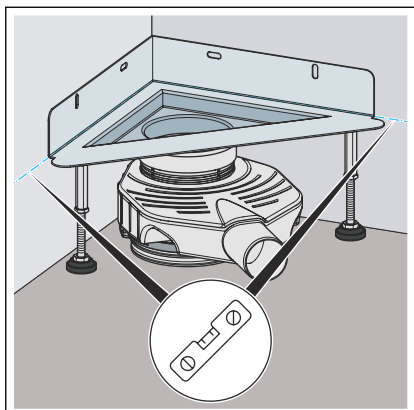


- Bend open the mortar anchor.
- Check whether the corner drain is inserted into the height adjustment piece as far as it will go.

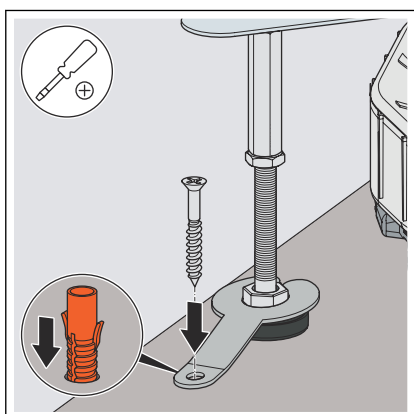


- Attach the sound protection strip on the wall side of the flange.

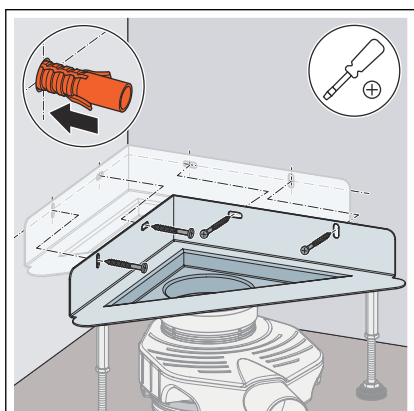
Fine tuning



- Align the drain horizontally by adjusting the height of the feet.
- Secure the position with lock nuts.



- Secure the feet in place with the fixing material.



INFO! In the case of even wall surfaces in combination with thin layers of adhesive, the installation depth of the wall sheet has to be agreed with the tiler. If necessary, the wall sheet will have to be embedded into the wall.

- Fasten the wall sheet onto the wall with dowels and screws.
To ensure proper sound protection, the screws must only be screwed in hand-tight.
- If required, earth the drain in accordance with the national electrical regulations.

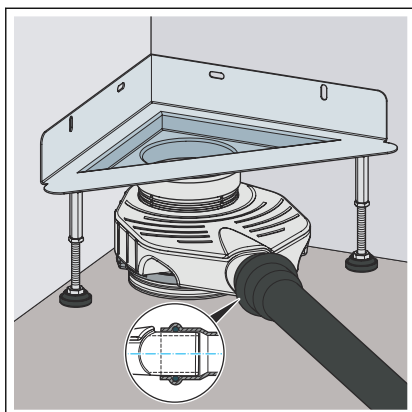
3.2.4 Connecting and securing the corner drain

The connection to the wastewater system must be completed before the drain can be installed in the floor construction.

Requirements:

- A pipe to the planned drainage position is already in place for the connection to the wastewater system.
- The drainpipe has an internal seal.

Proceed as follows:

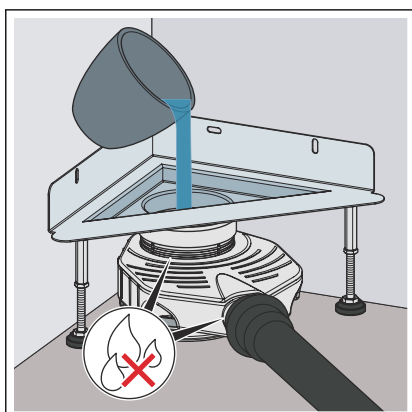


- Insert the drain socket into the drainpipe as far as it will go.

3.2.5 Preparing for further work

- Remove the protective foil around the drain.

INFO! The protective foil must not become dirty. It will be required later.



- Fill the drain with water.
- Check the drain casing and pipeline for leak tightness.
- Stick the protective foil back on.
- The drain has been mounted.

The drain must now be lined with screed and sealed ↪ *Chapter 3.2.6 'Sealing the corner drain' on page 25.*

Lining with screed



NOTICE! **Product damage due to improper installation**

If hollow spaces occur during the lining of the drain, leaks may occur when pressure is applied.

Inform the subsequent workers that the drain must be fully lined and that there must be no hollow spaces.

Requirements:

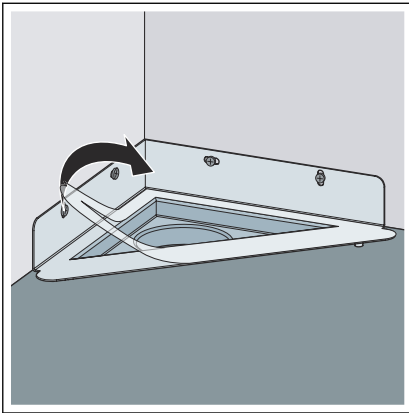
- The flange must be coated with protective foil.

INFO! The screed and the floor tiles must be laid at an incline of 1-2% in the direction of the corner drain.

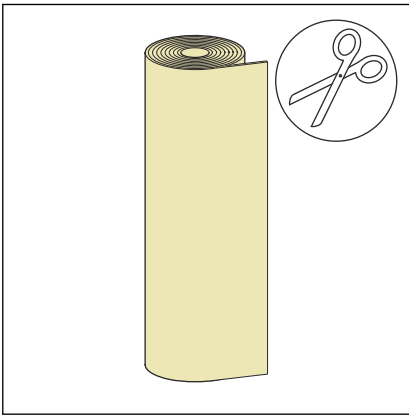
- Completely line the drain with screed up to the upper edge of the flange.



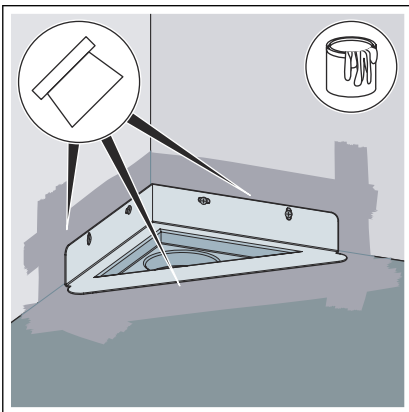
3.2.6 Sealing the corner drain



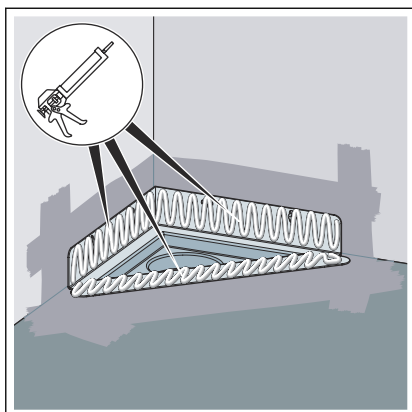
► Remove protective foil.



► Cut the sealing tape generously. The strips should overlap when stuck on.

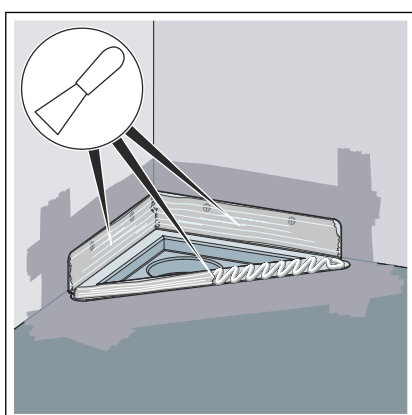


► Apply the first layer of bonded sealing generously onto the screed and the wall.

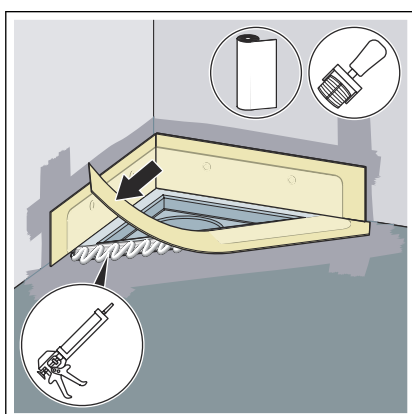


- Apply the mounting adhesive to the flange.

Observe the expiry date of the mounting adhesive, ↪ **'Mounting adhesive'** on page 14.



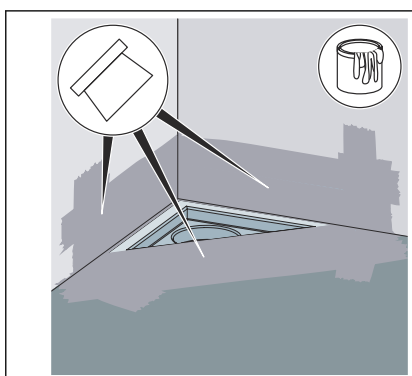
- Use a spatula to spread the mounting adhesive evenly.



- Position the sealing tape on the flange so that the flange and the screed are uniformly covered.

Also apply the sealing tape on the wall side.

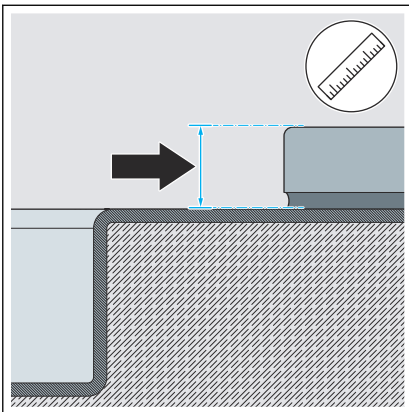
- Press the sealing tape firmly onto the mounting adhesive and bonded sealing.
- Stick the overlapping strips together at the corners with mounting adhesive.
- Thoroughly press the adhesive joints together with a roller.



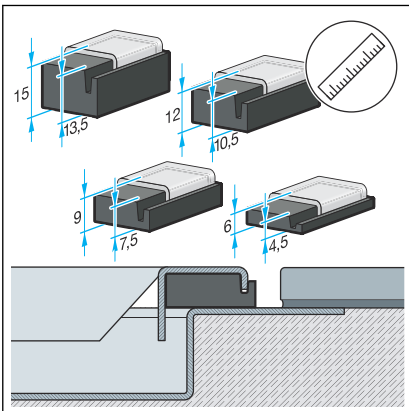
- Apply the second layer of bonded sealing generously onto the sealing tape, screed and wall.

You can now insert grate frame ↪ *Chapter 3.2.7 'Insert grate frame'* on page 27.

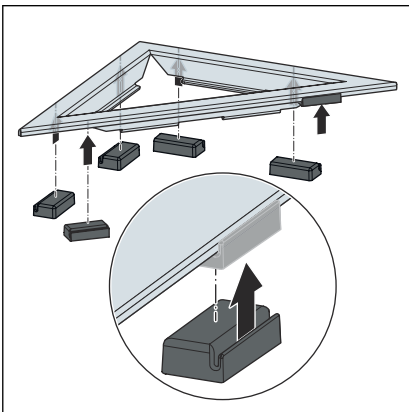
3.2.7 Insert grate frame



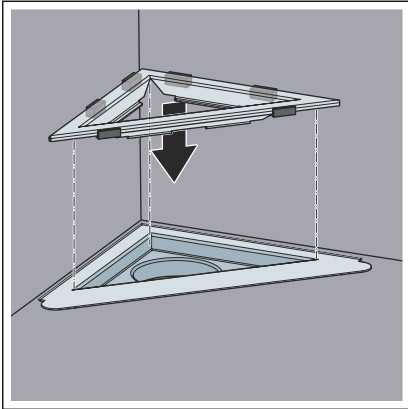
► Calculate the upper edge of the tiles.



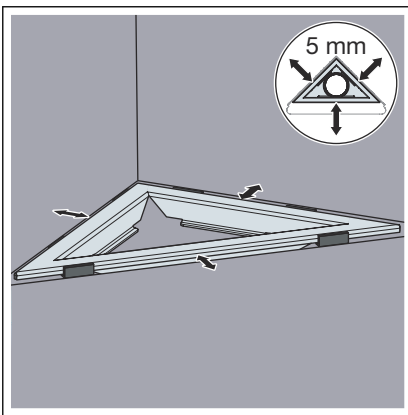
► Select the required size from the spacers supplied.



► Evenly distribute and mount the spacers on the grate frame.



► Insert the grate frame.



► Shift the grate frame as required.

Tolerance to all sides = 5 mm

◻ The corner drain is installed.

The wall and floor can now be tiled.

Lay tiles



CAUTION! Risk of injury due to sharp edges

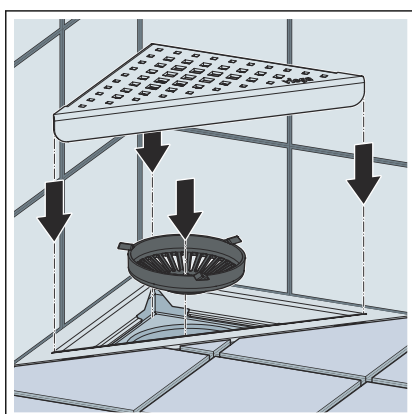
Sharp edges in the barefoot area can lead to injuries.

Make sure that there are no sharp edges in the barefoot area. Check with particular care:

- Tiles
- Cover trims
- Mounting profiles

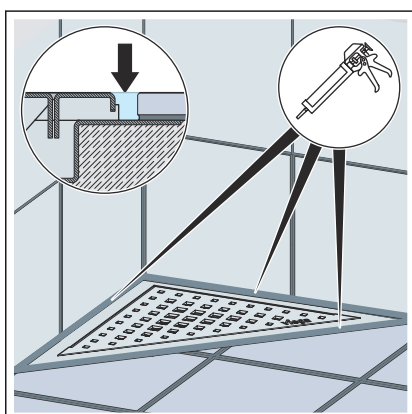


Floor tiles must be laid with an incline of 1–2 % in the direction of the shower channel.



- Lay the tiles.
- Polish the tile edge.
- Insert the sieve.
- Finally, a grate must be mounted. You will find suitable grates in the catalog.

Mounting, see grate's instruction for use.



- Seal the joint between the grate frame and the tiles with silicone.

3.3 Care

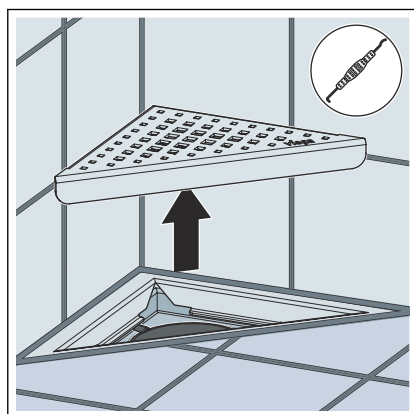
3.3.1 Care tips

Normal soap or a mild cleaning agent can be used for regular maintenance and prevention of lime scale on the grate and frame. Use no scouring agent or abrasive objects.

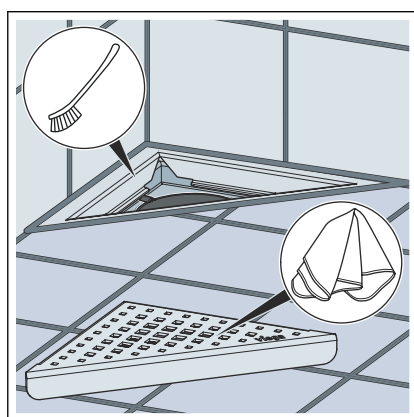
Strong stains, even around the drain unit and the odour trap, can be removed using typical household cleaner. Rinse the detergent very thoroughly with clear water after the prescribed dwell time. There should be no residue on the components.

3.3.2 Cleaning

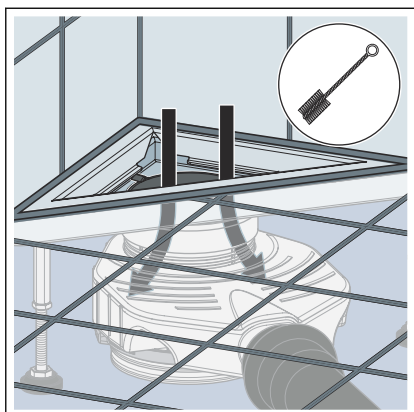
We recommend using a mild cleaning agent, a cloth and a washing-up brush for cleaning.



- Remove the grate, for example with the removal tool model 4965.90, article no. 689 704.



- Clean the grate and the grate frame.



- Clean the drain.
- Rinse with clean water.
- Replace the grate.

3.4 Disposal

Separate the product and packaging materials (e. g. paper, metal, plastic or non-ferrous metals) and dispose of in accordance with valid national legal requirements.



Viega GmbH & Co. KG
service-technik@viega.de
viega.com

INT • 2023-08 • VPN230103

