

Instructions for Use

Advantix corner drain



for bonded sealing (tiled shower) with sealing mat

Model
4973.81

Year built (from)
01/2008

viega

Table of contents

1	About these instructions for use	3
	1.1 Target groups	3
	1.2 Labelling of notes	3
	1.3 About this translated version	4
2	Product information	5
	2.1 Standards and regulations	5
	2.2 Intended use	6
	2.2.1 Areas of use	6
	2.2.2 Media	6
	2.2.3 Drainage capacity	6
	2.3 Product description	7
	2.3.1 Overview	7
	2.3.2 Technical data	8
	2.3.3 Sound protection	8
	2.4 Information for use	8
	2.4.1 Sealing	8
	2.4.2 Fire protection	9
	2.5 Required accessories	10
3	Handling	11
	3.1 Assembly information	11
	3.1.1 Important note	11
	3.1.2 Installation dimensions	12
	3.1.3 Tools and materials	12
	3.2 Assembly	13
	3.2.1 Determine height	13
	3.2.2 Mount base unit	17
	3.2.3 Align corner drain	19
	3.2.4 Connecting and securing the corner drain	20
	3.2.5 Prepare for further work	21
	3.2.6 Sealing the corner drain	23
	3.2.7 Insert grate frame	25
	3.3 Care	28
	3.3.1 Care tips	28
	3.3.2 Clean	28
	3.4 Disposal	29

1 About these instructions for use

Trade mark rights exist for this document, further information can be found at viega.com/legal.

1.1 Target groups

The information in this instruction manual is directed at the following groups of people:

- Heating and sanitary professionals and trained personnel
- Tilers
- Consumers

It is not permitted for individuals without the abovementioned training or qualification to mount, install and, if required, maintain this product. This restriction does not extend to possible operating instructions.

The installation of Viega products must take place in accordance with the general rules of engineering and the Viega instructions for use.

1.2 Labelling of notes

Warning and advisory texts are set aside from the remainder of the text and are labelled with the relevant pictographs.



DANGER!

This symbol warns against possible life-threatening injury.



WARNING!

This symbol warns against possible serious injury.



CAUTION!

This symbol warns against possible injury.



NOTICE!

This symbol warns against possible damage to property.



Notes give you additional helpful tips.

1.3 About this translated version

This instruction for use contains important information about the choice of product or system, assembly and commissioning as well as intended use and, if required, maintenance measures. The information about the products, their properties and application technology are based on the current standards in Europe (e. g. EN) and/or in Germany (e. g. DIN/DVGW).

Some passages in the text may refer to technical codes in Europe/Germany. These should serve as recommendations in the absence of corresponding national regulations. The relevant national laws, standards, regulations, directives and other technical provisions take priority over the German/European directives specified in this manual: The information herein is not binding for other countries and regions; as said above, they should be understood as a recommendation.

2 Product information

2.1 Standards and regulations

The following standards and regulations apply to Germany / Europe. National regulations can be found on the relevant web site of your country at viega.com/standards.

Regulations from section: Sealing

Scope / Notice	Regulations applicable in Germany
Stress class of the underground, as well as suitable bonded sealing	ZDB-Merkblatt 8/2012
Stress class of the underground, as well as suitable bonded sealing	Leitfaden zur Abdichtung im Verbund (AIV)
Approved bonded sealings with proof of practicability in keeping with building law for stress classes A and AO	ETAG 022 T1
Approved bonded sealings with proof of practicability in keeping with building law for stress classes A, B and C	DIBt-Bauregelliste A, Teil 2 des DIBt und Prüfgrundsätze für Abdichtungen im Verbund (PG AIV-F)
Permitted bonded sealings	EN 14891

Regulations from section: Media

Scope / Notice	Regulations applicable in Germany
Typical domestic wastewater	DIN 1986-3

Regulations from section: Sound protection

Scope / Notice	Regulations applicable in Germany
Fulfilled noise protection requirements	DIN 4109
Fulfilled noise protection requirements	VDI 4100

2.2 Intended use

2.2.1 Areas of use

The drain is used in the bathroom for a floor-level shower. It is designed for small to medium volumes of water, which occur in e. g. residential building.

Technical information, see ↗ *Chapter 2.3.2 'Technical data' on page 8.*

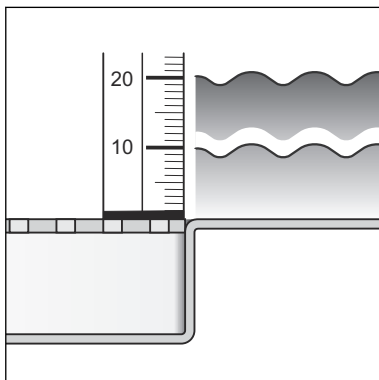
2.2.2 Media

The drain is intended for draining of household-type wastewater in constant operation, see ↗ *'Regulations from section: Media' on page 5.*

- The short-term temperature of the wastewater may reach up to 95° C. The temperature must be considerably lower in constant operation.
- The pH value must be higher than 4 but lower than 10.

It is not permitted to introduce wastewater which would damage the product material.

2.2.3 Drainage capacity



The drainage capacity is dependent on the chosen installation height. The installation height is the distance from the drain to the flange.

Drainage capacity at an accumulation height of 10 mm above the grate: 0.75–1.05 l/s

Drainage capacity at an accumulation height of 20 mm above the grate: 0.8–1.1 l/s

2.3 Product description

2.3.1 Overview

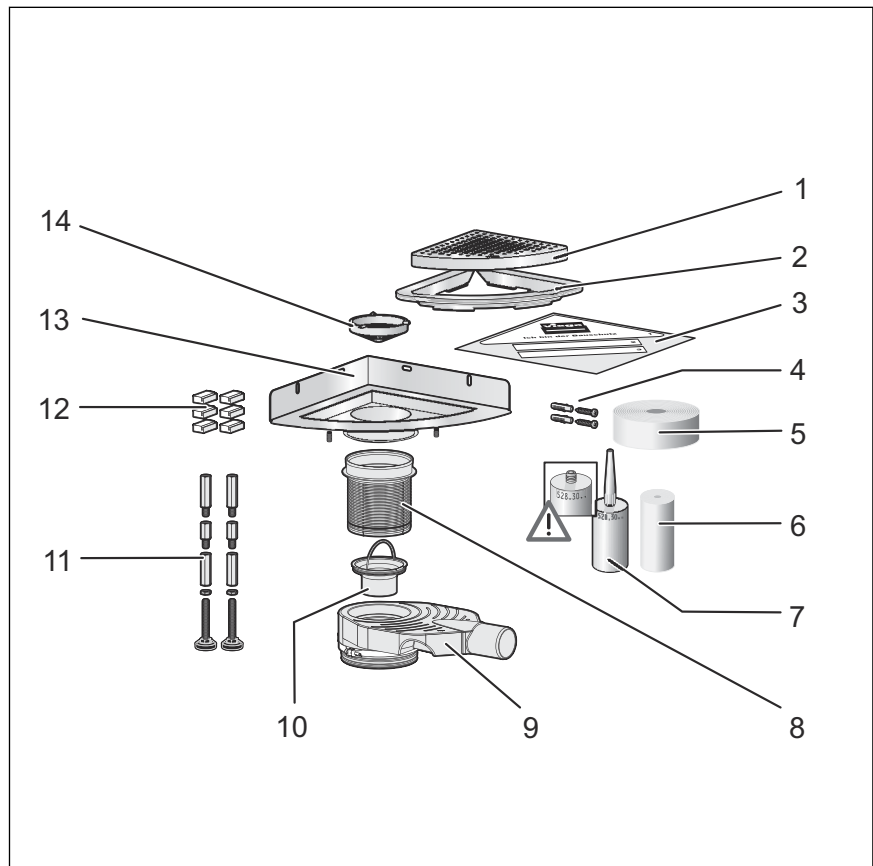


Fig. 1: Components and scope of delivery

- 1 - grate*
- 2 - grate frame
- 3 - protective foil
- 4 - fixing screws
- 5 - sound protection strip
- 6 - sealing tape
- 7 - mounting adhesive
- 8 - height adjustment piece
- 9 - odour trap
- 10 - immersion pipe
- 11 - feet and height adjustment
- 12 - spacer
- 13 - drain unit with flange
- 14 - sieve

* Not included in scope of delivery

2.3.2 Technical data

Nominal width [DN]	40 / 50
Material	Base unit made of plastic (polypropylene) Stainless steel drain unit 1.4301
Drainage capacity	↪ Chapter 2.2.3 'Drainage capacity' on page 6
Dimensions and installation height	↪ Chapter 3.1.2 'Installation dimensions' on page 12
Water seal level	110–119 mm installation height: 35 mm 120–129 mm installation height: 40 mm 130–200 mm installation height: 50 mm
Load class	K = 300 kg

2.3.3 Sound protection

The measured sound level during water drainage is 19 dB(A). For information on sound protection requirements met, see ↪ 'Regulations from section: Sound protection' on page 5.

2.4 Information for use

2.4.1 Sealing

Bonded sealing

To protect against moisture penetration, apply sealing foils, which are to be processed in liquid state, directly below the tiles on screed and walls. The determination of the stress class and the underground as well as the selection of the suitable bonded sealing must be carried out in compliance with the valid standards and regulations, see: ↪ 'Regulations from section: Sealing' on page 5.

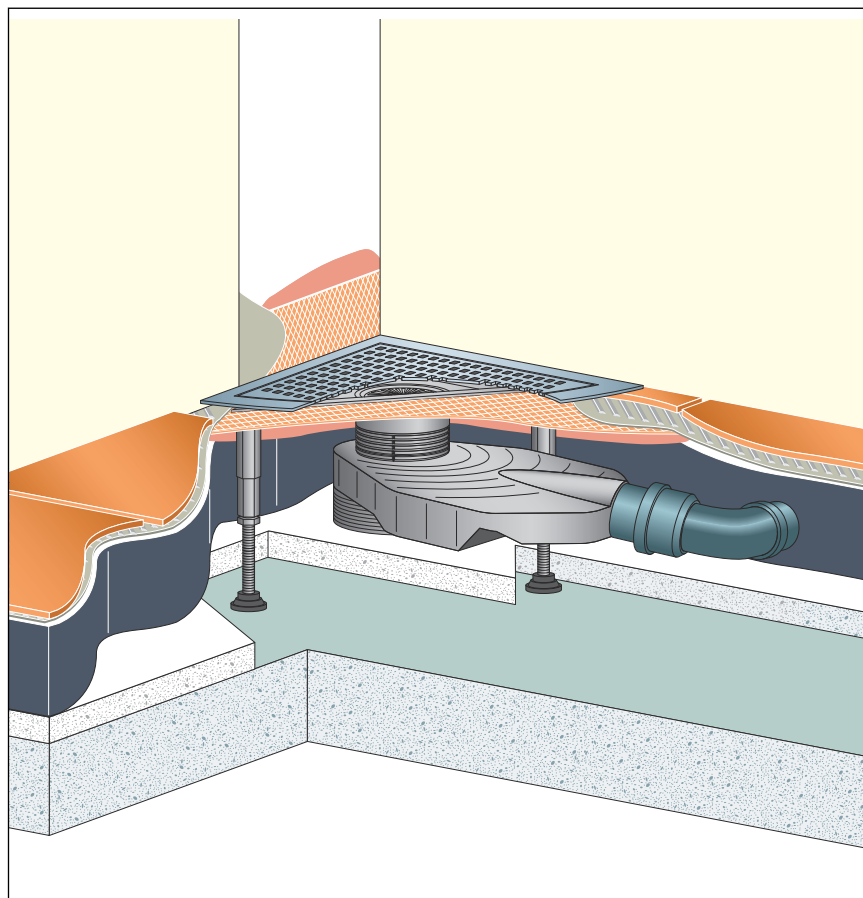


Fig. 2: Diagram of a bonded seal with corner drain

2.4.2 Fire protection

Advantix shower channels and drains can both be fitted to be fire proof. The R120 pipe lead-in can be used for this purpose in the floor construction. In this way, a fire resistance time of up to 120 minutes can be achieved.

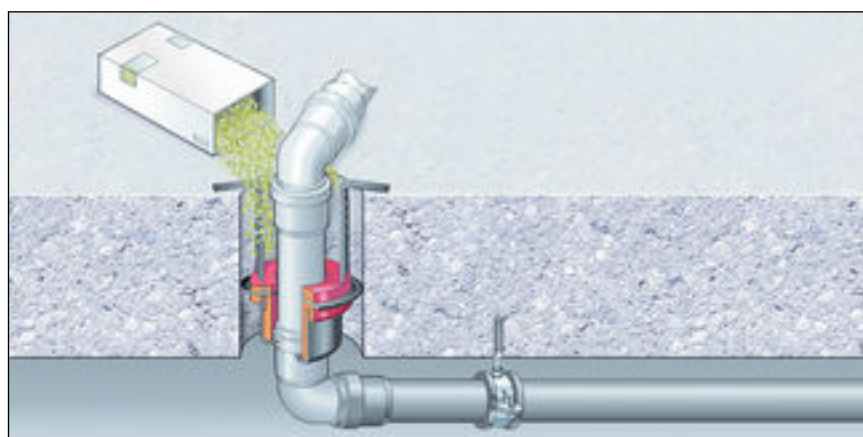
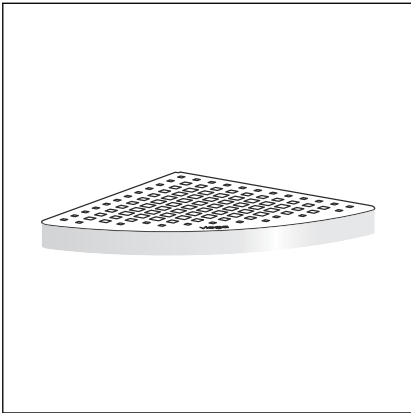


Fig. 3: Example: fire protection pipe lead-in

Mounting instruction of the R120 pipe lead-in see model 4923.5, Art.-No. 491 673.

2.5 Required accessories



The grate is not included in the scope of delivery and can be ordered separately (see catalogue).

3 Handling

3.1 Assembly information

3.1.1 Important note

Before assembly:

- Check if the drainage capacity of the model chosen is sufficient for the arising water volume ↪ *Chapter 2.2.3 'Drainage capacity' on page 6.*
- An adequate level of floor covering stability must be guaranteed ↪ *Chapter 2.3.2 'Technical data' on page 8.* This can be achieved either through an adequate covering of screed or another alternative solution. Relevant measures must be considered before mounting.

During assembly:

- Observe installation dimensions.
- Do not use mounting adhesive older than 18 months.
- Position the drain in such a way that the grate is removable.

After assembly:

- The drain must be fully lined with mortar.
- The sealing accessories should be given to the person responsible for the bonded sealing (e. g. tiler).
- Coordinate all relevant installation details, especially regarding the bonded sealing, with those responsible for the subsequent work.

3.1.2 Installation dimensions

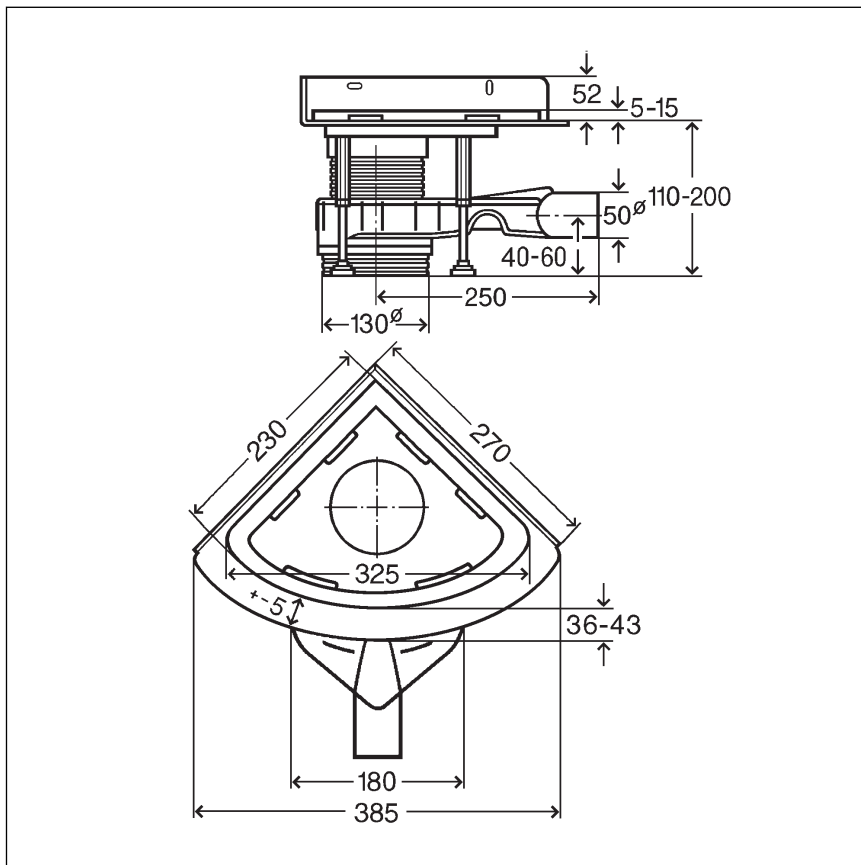


Fig. 4: Dimensions

3.1.3 Tools and materials

Mounting adhesive

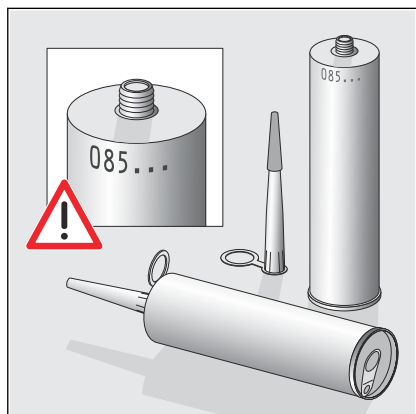


Fig. 5: Filling date of the mounting adhesive

Mounting adhesive can be used for a maximum of 18 months.

The filling date is found on the top edge of the cartridge. The first two numbers represent the month, the following number the year.

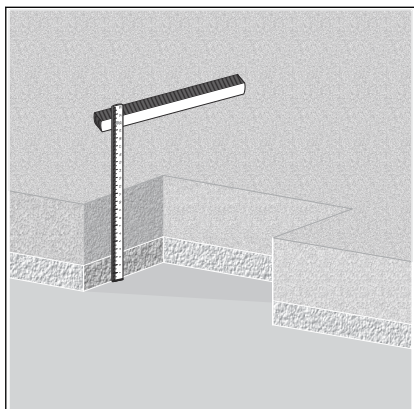
Example

085...

Filling date = August (08) 2015 (5)

3.2 Assembly

3.2.1 Determine height



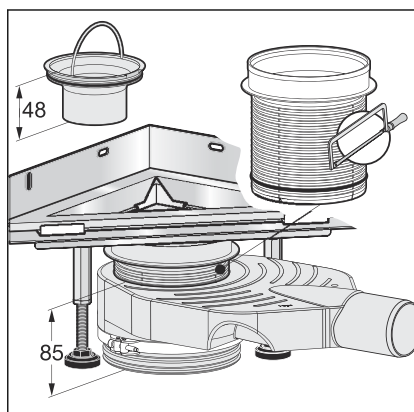
- Determine screed height.

There are three different installation heights:

- 130–200 mm ↪ *'Installation height 130–200 mm' on page 13*
- 120–129 mm ↪ *'Installation height 120–129 mm' on page 14*
- 110–119 mm ↪ *'Installation height 110–119 mm' on page 15*

In its delivery condition, the height of the base unit is 200 mm.

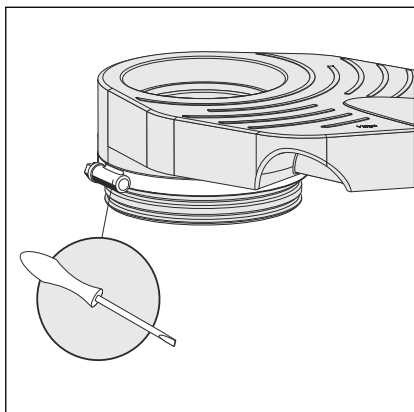
Installation height 130–200 mm



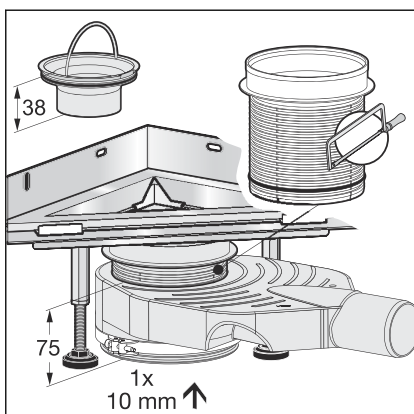
- Shorten height adjustment piece accordingly.
- Insert the 48 mm long immersion pipe.
The water seal level remains 50 mm.
- Check height and, if necessary, rectify ↪ ***'Correct height adjustment' on page 16.***

Then continue: ↪ *Chapter 3.2.2 'Mount base unit' on page 17.*

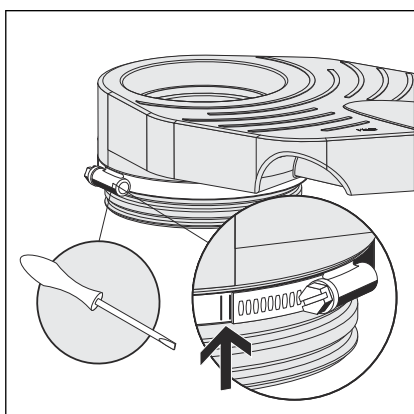
Installation height 120–129 mm



- Loosen fastening ring with screwdriver.



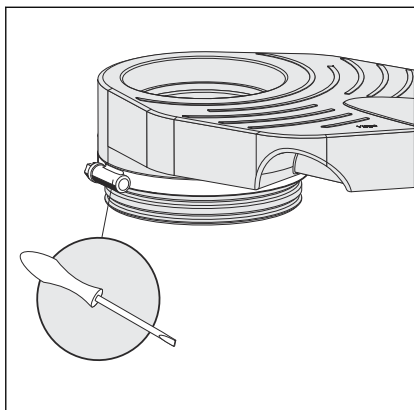
- Push the floor piece in by one ring (1 x 10 mm).
The fine tuning within these dimensions takes place using the height adjustment piece.
- Insert the 38 mm long immersion pipe.
The water seal level reduces to 40 mm.



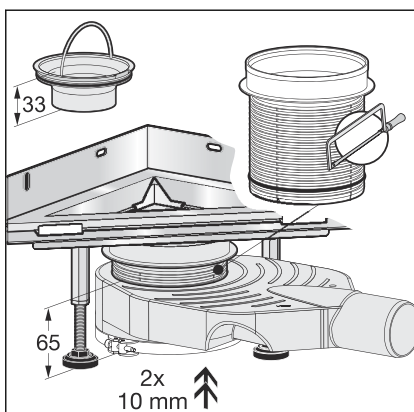
- Fit the mounting ring and tighten to a maximum $2.5 \text{ Nm} \pm 0.2 \text{ Nm}$ using a screwdriver.
- Alternatively, the screw can be tightened until the markings on the mounting ring match up.
- Check height and, if necessary, rectify ↗ **‘Correct height adjustment’ on page 16.**

Then continue: ↗ Chapter 3.2.2 ‘Mount base unit’ on page 17.

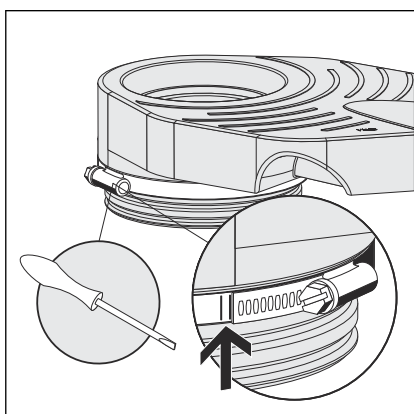
Installation height 110–119 mm





- Loosen fastening ring with screwdriver.



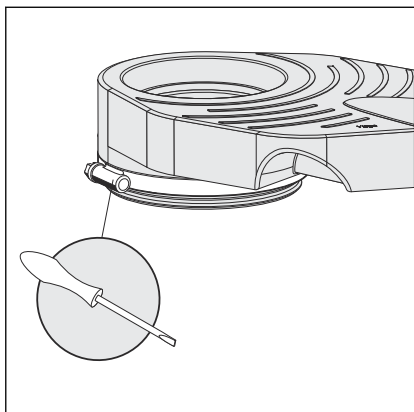
- Push the floor piece in by two rings (2 x 10 mm).
The fine tuning within these dimensions takes place using the height adjustment piece.
- Insert the 33 mm long immersion pipe.
The water seal level reduces to 35 mm.



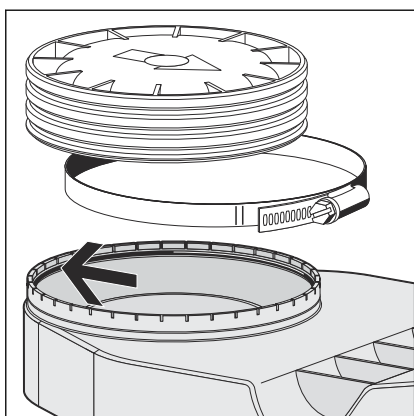
- Fit the mounting ring and tighten to a maximum 2.5 Nm \pm 0.2 Nm using a screwdriver.
- Alternatively, the screw can be tightened until the markings on the mounting ring match up.
- Check height and, if necessary, rectify  **'Correct height adjustment' on page 16.**

Then continue:  Chapter 3.2.2 'Mount base unit' on page 17.

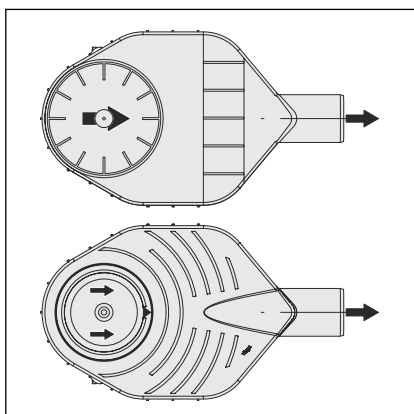
Correct height adjustment



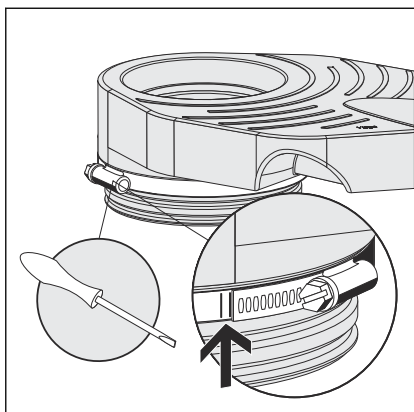
- Loosen fastening ring with screwdriver.



- Remove the floor piece or push it into the drain.
- Remove the floor piece.
- Lay the greased O-Ring into the casing (see arrow).
- Push the floor piece straight into the required position in the drain.

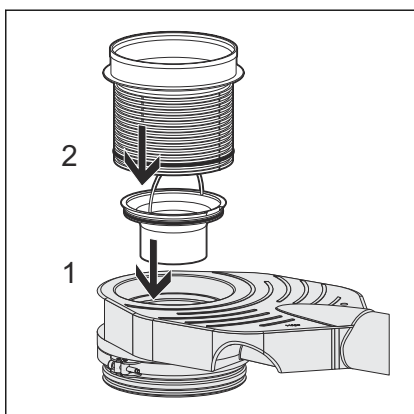


- The arrow on the base of the odour trap must be pointed towards the drain.

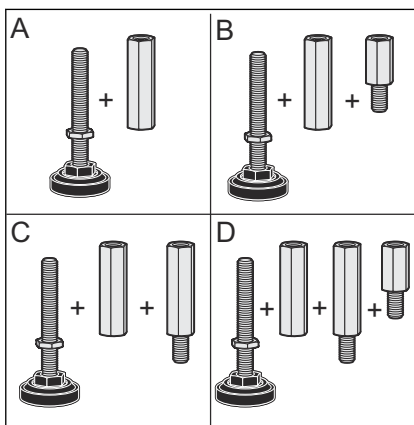


- Fit the mounting ring and tighten to a maximum $2.5 \text{ Nm} \pm 0.2 \text{ Nm}$ using a screwdriver.
- Alternatively, the screw can be tightened until the markings on the mounting ring match up.

3.2.2 Mount base unit

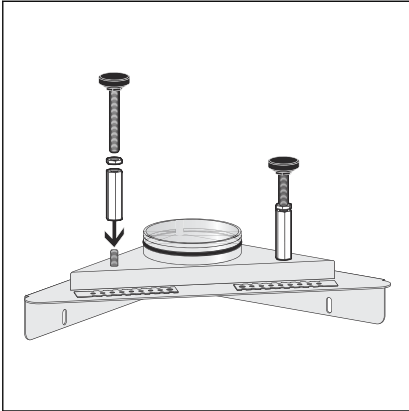


- Insert immersion pipe (1).
- Insert height adjustment piece (2) with O-ring.



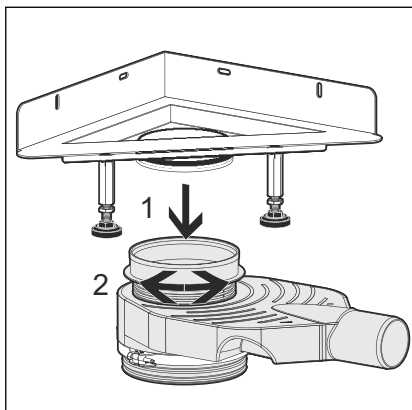
Depending on the desired installation height, additional height adjustments may have to be mounted onto the feet:

Height of the corner drain	Height adjustment as per illustration
110–140 mm	A
140–165 mm	B
170–190 mm	C
190–215 mm	D

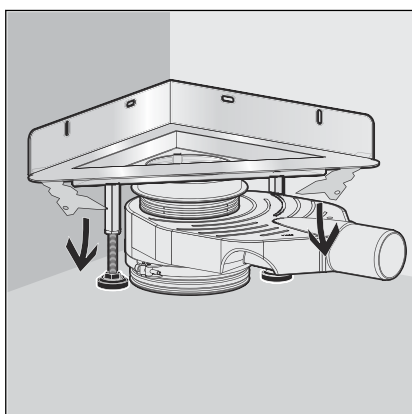


- Mount feet and height adjustment.
- Insert rubber caps.
- Apply protective foil.

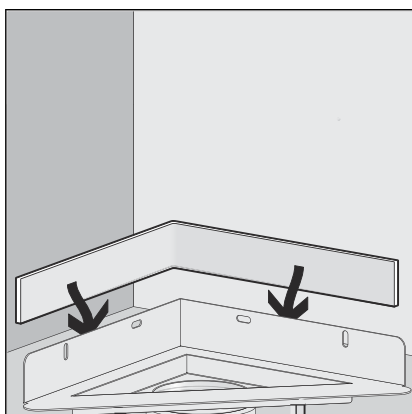
3.2.3 Align corner drain



- Press drain support into the height adjustment piece as far as it will go (1).
- Correct drain position, if necessary. Turn the height adjustment piece to do so (2).

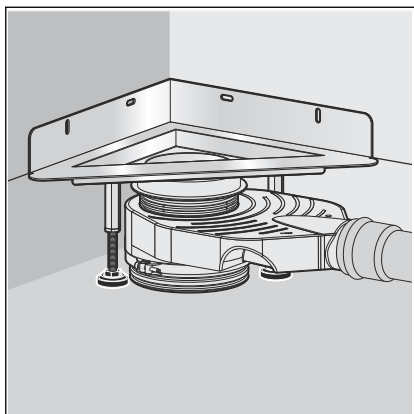


- Bend open the mortar anchor.
- Check whether the corner drain is inserted into the height adjustment piece as far as it will go.

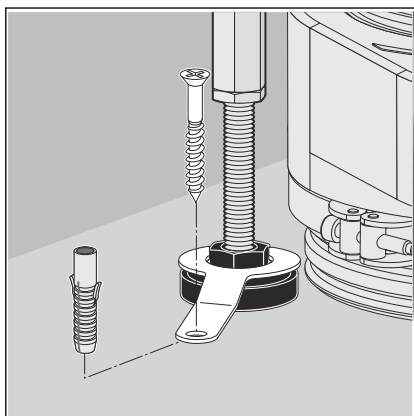


- Attach the sound protection strip on the wall side of the sealing flange.

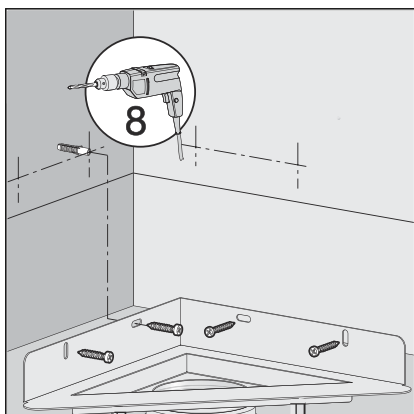
Fine tuning



- Align the drain horizontally by adjusting the height of the feet.
- Secure the position with lock nuts.



- Secure the feet in place with the fixing material.



INFO! In the case of even wall surfaces in combination with thin layers of adhesive, the installation depth of the wall sheet has to be agreed with the tiler. If necessary, the wall sheet will have to be embedded into the wall.

- Fasten the wall sheet onto the wall with a dowel and screws.
To ensure proper sound protection, the screws must only be screwed in hand-tight.
- If required, earth the drain in accordance with the local national electrical regulations.

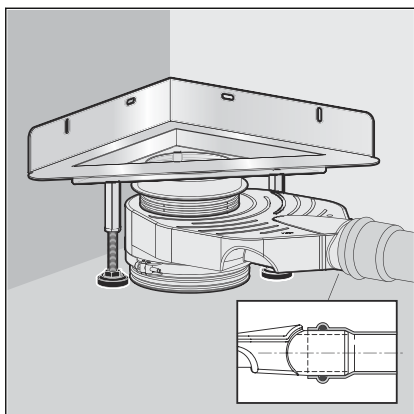
3.2.4 Connecting and securing the corner drain

The connection to the wastewater system must be completed before the drain can be installed in the floor construction.

Requirements:

- A pipe to the planned drainage position is already in place for the connection to the wastewater system.
- The drainpipe has an internal seal.

Proceed as follows:

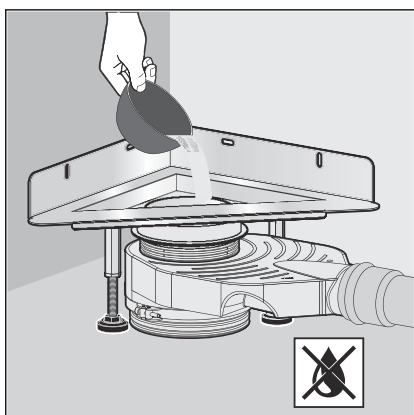


- Push the drain support into the drain pipe completely.

3.2.5 Prepare for further work

- Remove the protective foil around the drain.

INFO! The protective foil must not become dirty. It will be required later.



- Fill drain with water.
- Check drain casing and pipeline for leaks.
- Stick the protective foil back on.
- The drain has been mounted.

The drain must now be lined with screed and sealed ↪ Chapter 3.2.6 'Sealing the corner drain' on page 23.

Lining with screed



NOTICE! **Product damage due to improper installation**

If hollow spaces occur during the lining of the drain, leaks may occur when pressure is applied.

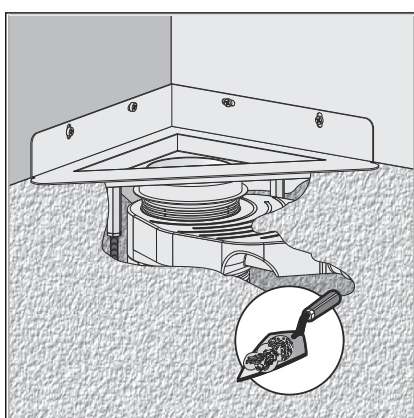
Inform the subsequent workers that the drain must be fully lined and that there must be no hollow spaces.

Requirements:

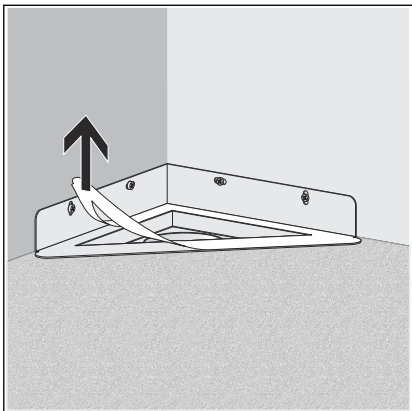
- The flange must be coated with protective foil.

INFO! Screed and floor tiles must be laid at an incline of 1–2% in the direction of the corner drain.

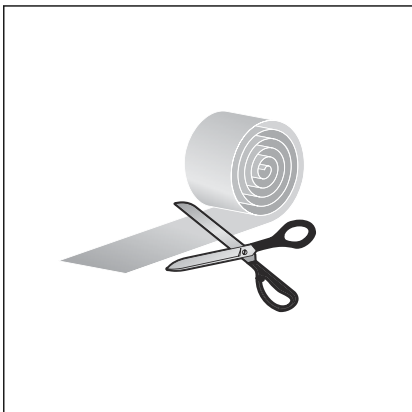
- ▶ Line the drain up to the upper edge of the flange with screed.



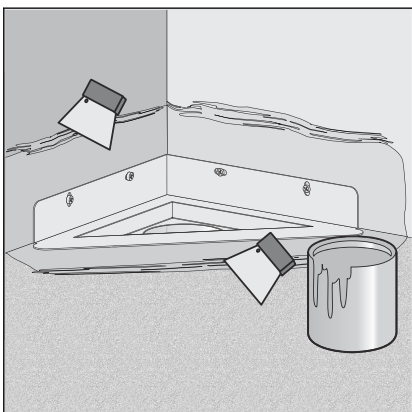
3.2.6 Sealing the corner drain



► Remove protective foil.

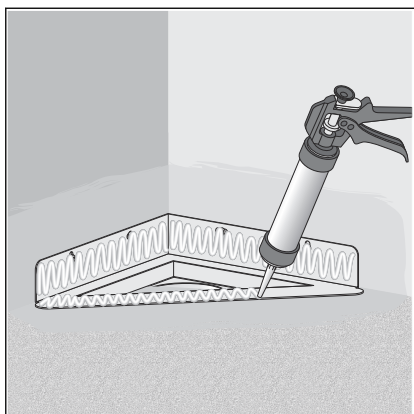


► Cut the sealing tape generously. The strips should overlap when stuck on.



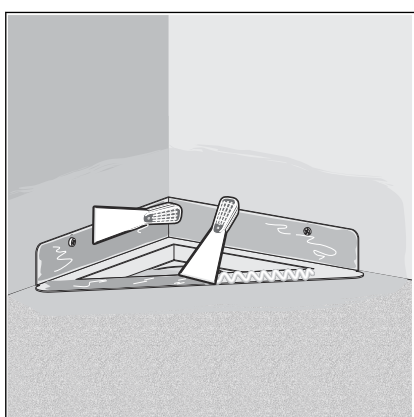
► Apply the first layer of bonded sealing generously onto the screed and the wall.

Leave the flange open!

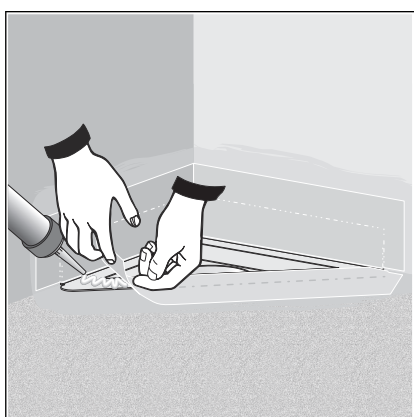


- Apply mounting adhesive to the flange.

Observe the mounting adhesive's shelf life ↪ **'Mounting adhesive'** on page 12.



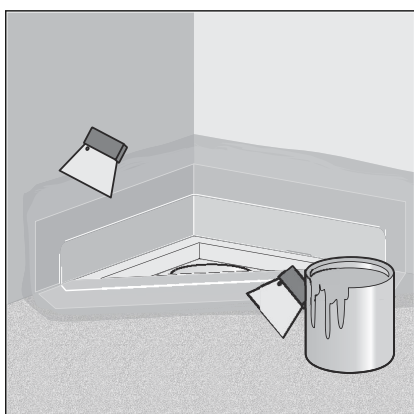
- Distribute the mounting adhesive evenly using a spatula.



- Position the sealing tape on the flange so that the flange and screed are uniformly covered.

Also apply the sealing tape on the wall side.

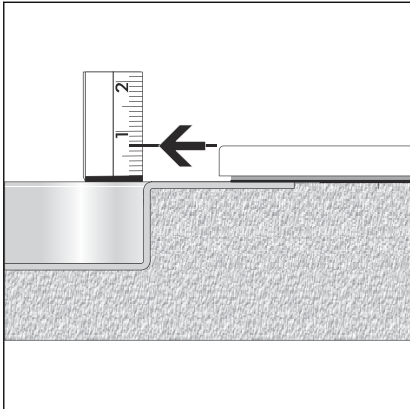
- Press the sealing tape firmly onto the mounting adhesive and bonded sealing.
- Stick the overlapping strips together at the corners with mounting adhesive.
- Rework the sticking points with a roller.



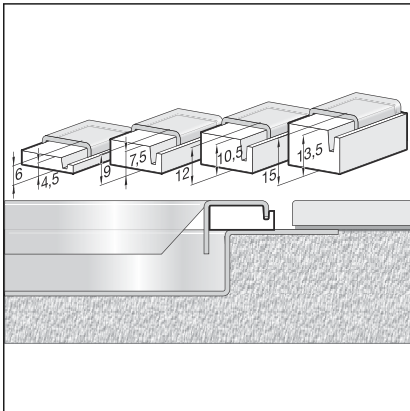
- Apply the second layer of bonded sealing generously onto the sealing tape, screed and wall.

You can now insert grate frame ↪ Chapter 3.2.7 'Insert grate frame' on page 25.

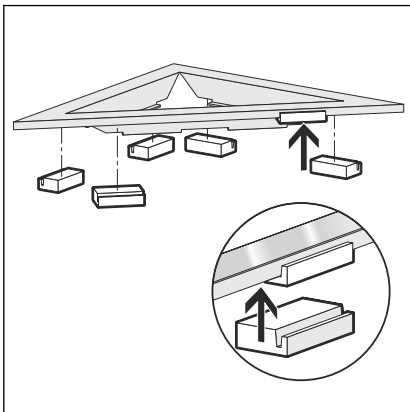
3.2.7 Insert grate frame



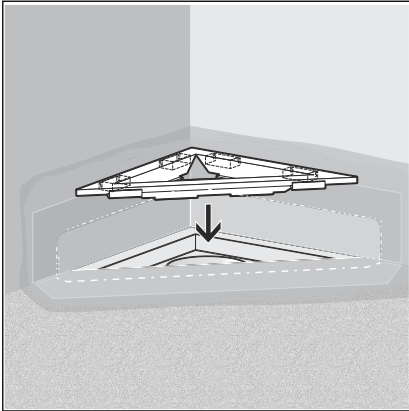
► Calculate upper edge of tiles.



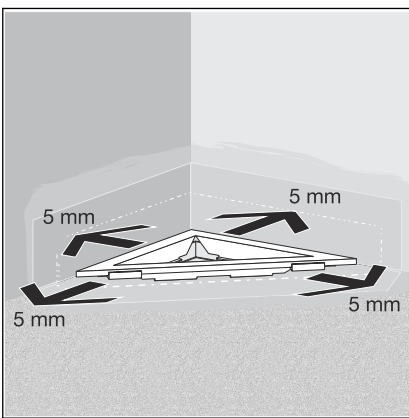
► Select the required size from the spacers supplied.



► Distribute and mount the spacers on the grate frame evenly.



► Insert grate frame.



► Shift the grate frame as required.

Tolerance to all sides = 5 mm

◻ The corner drain is installed.

The floor can now be tiled.

Lay tiles



CAUTION! Risk of injury due to sharp edges

Sharp edges in the barefoot area can lead to injuries.

Ensure yourself that there are no sharp edges in the barefoot area. Check with particular care:

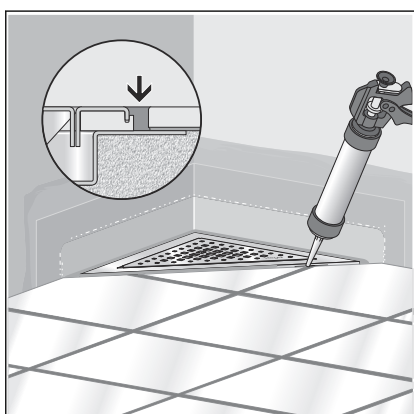
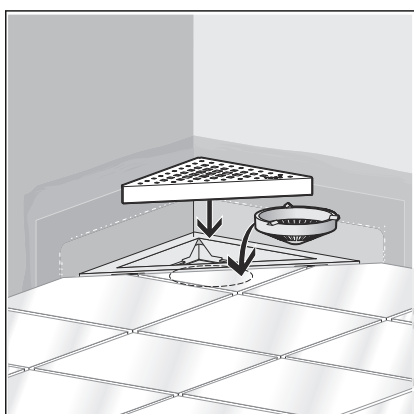
- tiles
- cover trims
- end profile



Floor tiles must be laid with an incline of 1–2 % in the direction of the shower channel.

- Lay tiles.
- Polish tile edges.
- Insert sieve.
- Finally, a grate must be mounted. You will find suitable grates in the catalogue.

Mounting, see grate's instruction for use.



- Seal the joint between the grate frame and the tiles with silicone.

3.3 Care

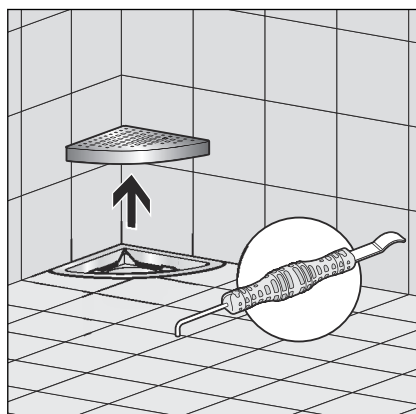
3.3.1 Care tips

Normal soap or a mild cleaning agent can be used for regular care and prevention of lime scale on the grate and frame. Under no circumstances should scouring agent or scratching objects be used.

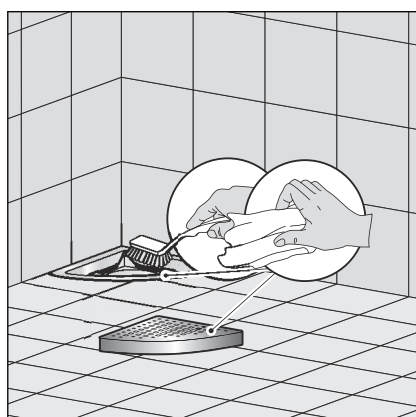
Strong stains, even around the drain unit and the siphon, can be removed using typical household cleaner. It should be noted that the cleaning agent should be rinsed off after the prescribed soaking time. There should be no residue on the components.

3.3.2 Clean

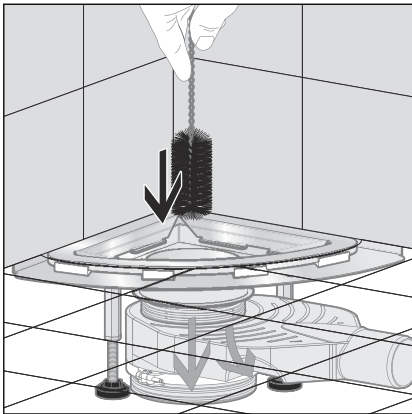
We recommend using a mild cleaning agent, a cloth and a washing-up brush for cleaning.



- Remove grate, e. g. with removal tool model 4965.90, Art.-No. 689 704.



- Clean grate and grate frame.



- Clean drain.
- Rinse with clean water.
- Re-insert grate.

3.4 Disposal

Separate the product and packaging materials (e. g. paper, metal, plastic or non-ferrous metals) and dispose of in accordance with valid national legal requirements.



Viega GmbH & Co. KG
service-technik@viega.de
viega.com

INT • 2022-08 • VPN170328

