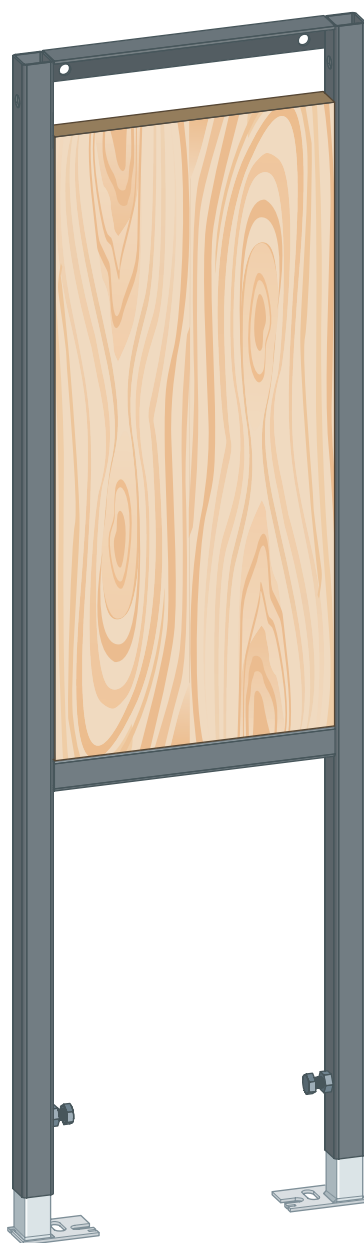


Instructions for Use

Prevista Dry-fixing element 1120 mm Object variant



for support hinged handles, barrier-free pre-wall installation

Model
8570.72

viega

Table of contents

1	About these instructions for use	3
	1.1 Target groups	3
	1.2 Labelling of notes	3
	1.3 About this translated version	4
2	Product information	5
	2.1 Intended use	5
	2.1.1 Areas of application	5
	2.2 Product description	5
	2.2.1 Overview	5
3	Handling	6
	3.1 Assembly information	6
	3.1.1 Installation dimensions	6
	3.2 Assembly	6
	3.2.1 Mounting to a masonry wall	6
	3.2.2 Mounting in steel stud frame	9
	3.3 Disposal	10

1 About these instructions for use

Trade mark rights exist for this document; for further information, go to viega.com/legal.

1.1 Target groups

The information in this instruction manual is directed at the following groups of people:

- Heating and plumbing experts and trained personnel
- Drywall builders

Individuals without the abovementioned training or qualification are not permitted to mount, install and, if required, maintain this product. This restriction does not extend to possible operating instructions.

The installation of Viega products must take place in accordance with the general rules of engineering and the Viega instructions for use.

1.2 Labelling of notes

Warning and advisory texts are set aside from the remainder of the text and are labelled with the relevant pictographs.



DANGER!

This symbol warns of possible life-threatening injury.



WARNING!

This symbol warns of possible serious injury.



CAUTION!

This symbol warns of possible injury.



NOTICE!

This symbol warns of possible damage to property.



This symbol gives additional information and hints.

1.3 About this translated version

This instruction for use contains important information about the choice of product or system, assembly and commissioning as well as intended use and, if required, maintenance measures. The information about the products, their properties and application technology are based on the current standards in Europe (e.g. EN) and/or in Germany (e.g. DIN/DVGW).

Some passages in the text may refer to technical codes in Europe/Germany. These should serve as recommendations in the absence of corresponding national regulations. The relevant national laws, standards, regulations, directives and other technical provisions take priority over the German/European directives specified in this manual: The information herein is not binding for other countries and regions; as said above, they should be understood as a recommendation.

2 Product information

2.1 Intended use

2.1.1 Areas of application

The Prevista Dry fixing element is used to fix sanitary objects in the barrier-free pre-wall installation. The construction height of the fixing element is 1120 mm.

The Prevista Dry fixing element is used to fix support and grab rails to Prevista Dry WC elements with the frame dimensions 30 x 30 mm.

2.2 Product description

2.2.1 Overview

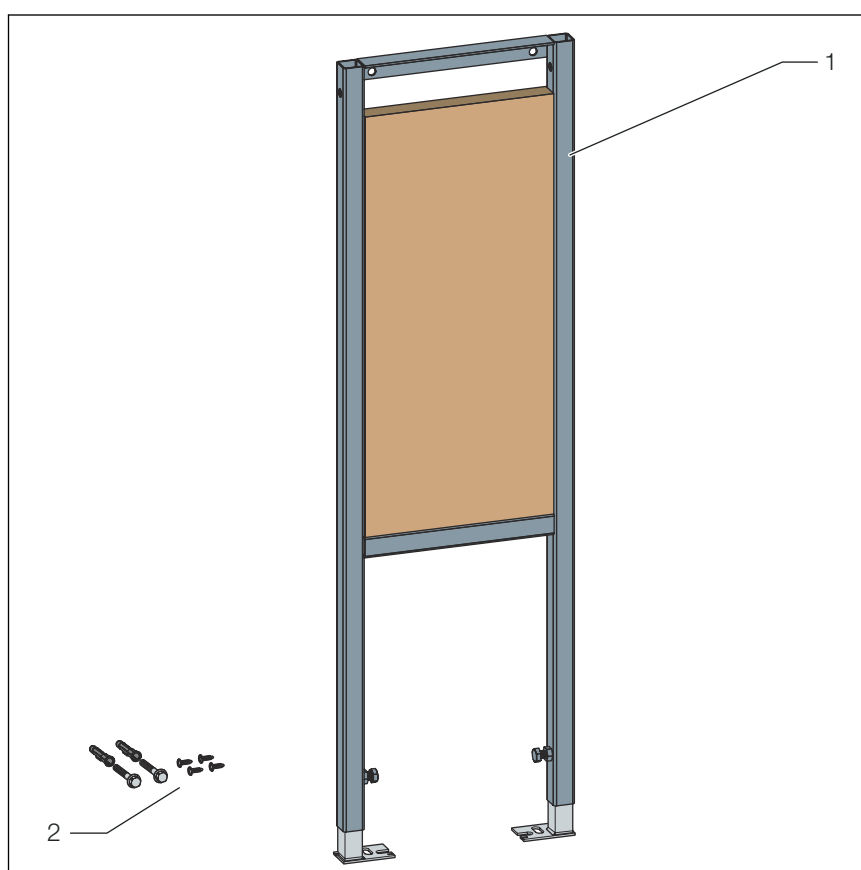


Fig. 1: Component overview

- 1 Prevista Dry fixing element
- 2 Screws and dowels for fixing

3 Handling

3.1 Assembly information

3.1.1 Installation dimensions

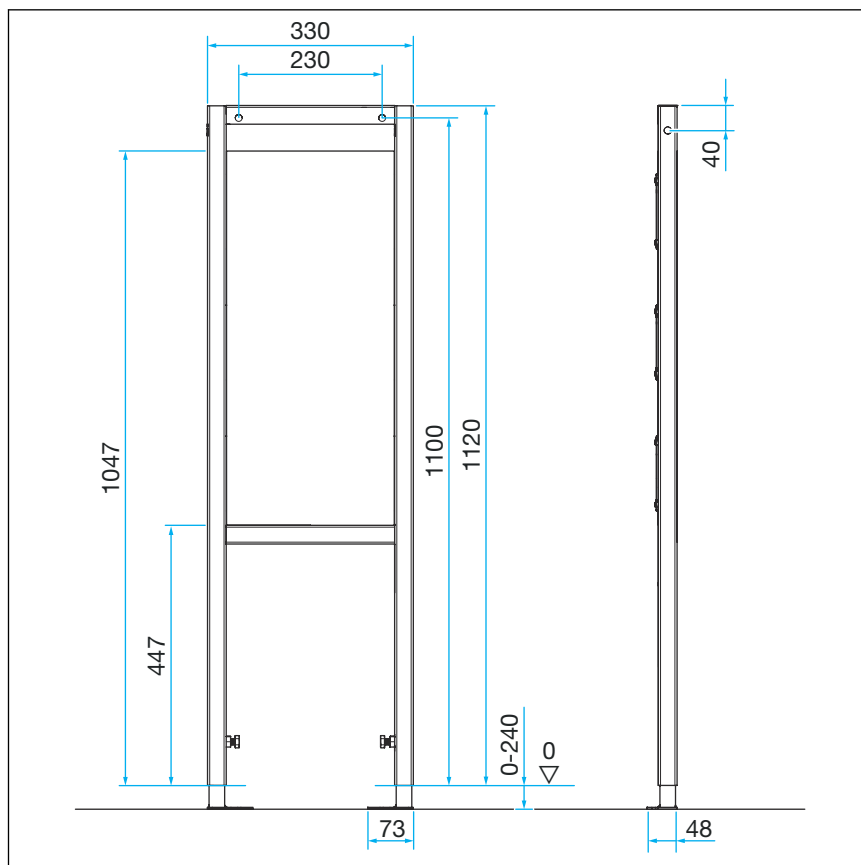


Fig. 2: Dimensions model 8570.72

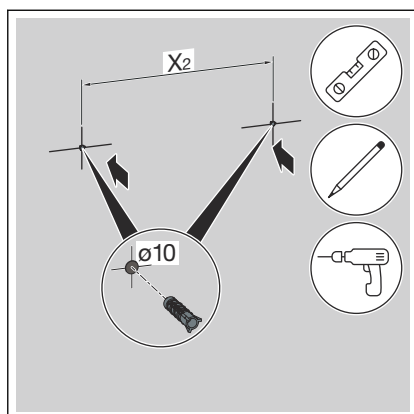
3.2 Assembly

3.2.1 Mounting to a masonry wall

Mounting without WC element

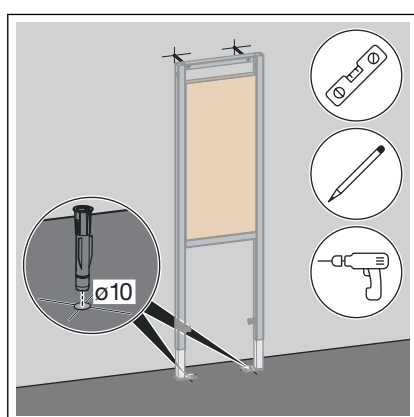


For mounting, Viega recommends to use a Prevista Dry fixing set.

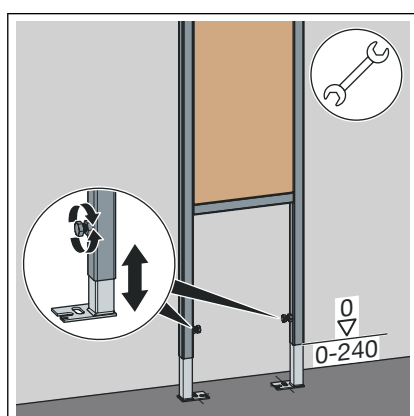


- Determine and mark the fixing points.
 - X2: Depending on the fixing set used
- Drill the holes.
- Insert the dowels.

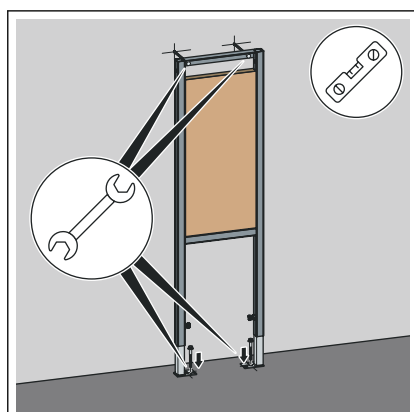
INFO! Mount the Prevista Dry fixing set pursuant to the instructions for use for the fixing set.



- Mark the fixing points on the floor.
- Drill the holes.
- Insert the dowels.



- Loosen the feet of the element using a fork spanner.
- Adjust the construction height of the element in accordance with the on-site marking of the upper edge of the finished floor.

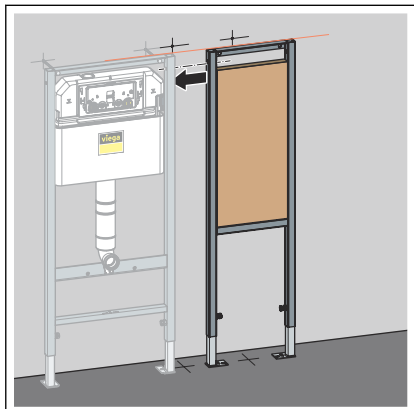


- Fix the element to the wall and in the floor.
 - The element is attached to the wall.

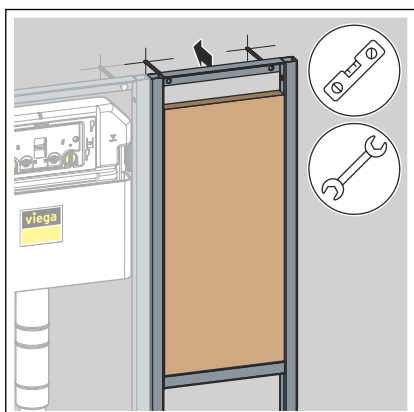
Mounting at the WC element

The following steps describe mounting from the right-hand side of the WC element. If required, repeat the same steps from the left-hand side.

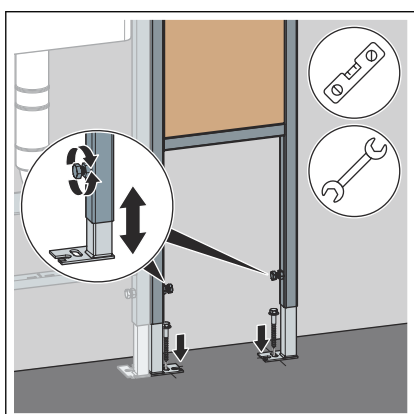
- Press the fixing element against the WC element as far as it will go.

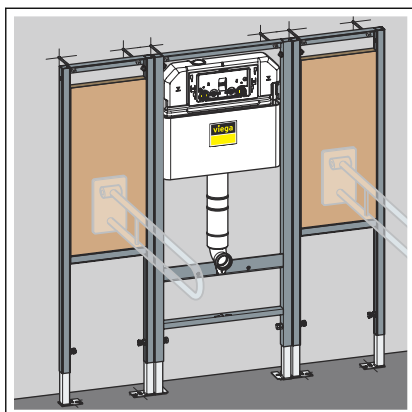


- Align the fixing element.
- Mount the wall fixing.



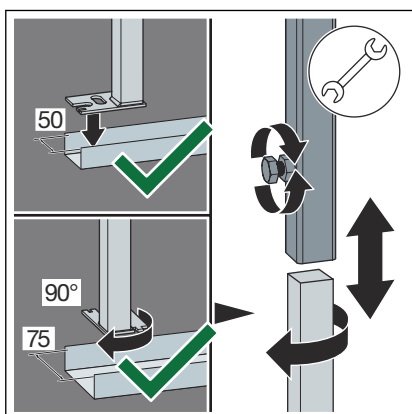
- Set the height of the element by means of the feet.
- Fix the fixing element to the wall and to the floor.



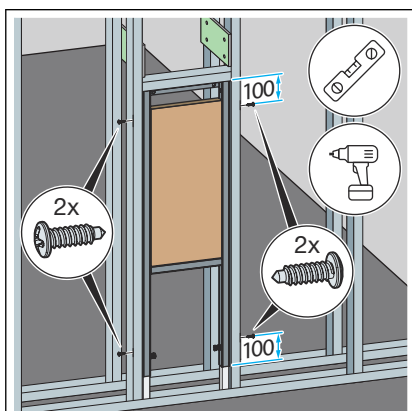


- Repeat the mounting steps on the left-hand side.

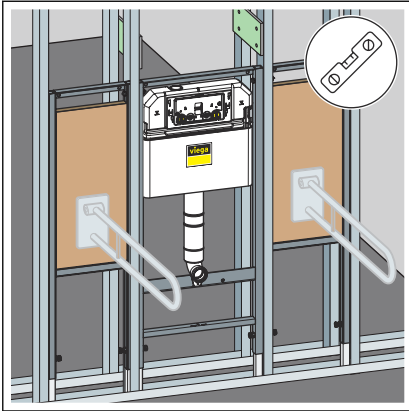
3.2.2 Mounting in steel stud frame



- Position the element on the floor rail.
- If necessary, adjust the foot depth from 50 mm (pre-mounted) to 75 mm.
- Pull the foot out and turn by 90°.
- Fix the feet.



- Adjust the construction height of the element in accordance with the on-site marking of the upper edge of the finished floor.
- Attach the element to the stud frame using the screws supplied.



- If applicable, connect further elements to the element via the stud frame.

3.3 Disposal

Separate the product and packaging materials (e. g. paper, metal, plastic or non-ferrous metals) and dispose of in accordance with valid national legal requirements.



Viega GmbH & Co. KG
service-technik@viega.de
viega.com

INT • 2023-03 • VPN230065

