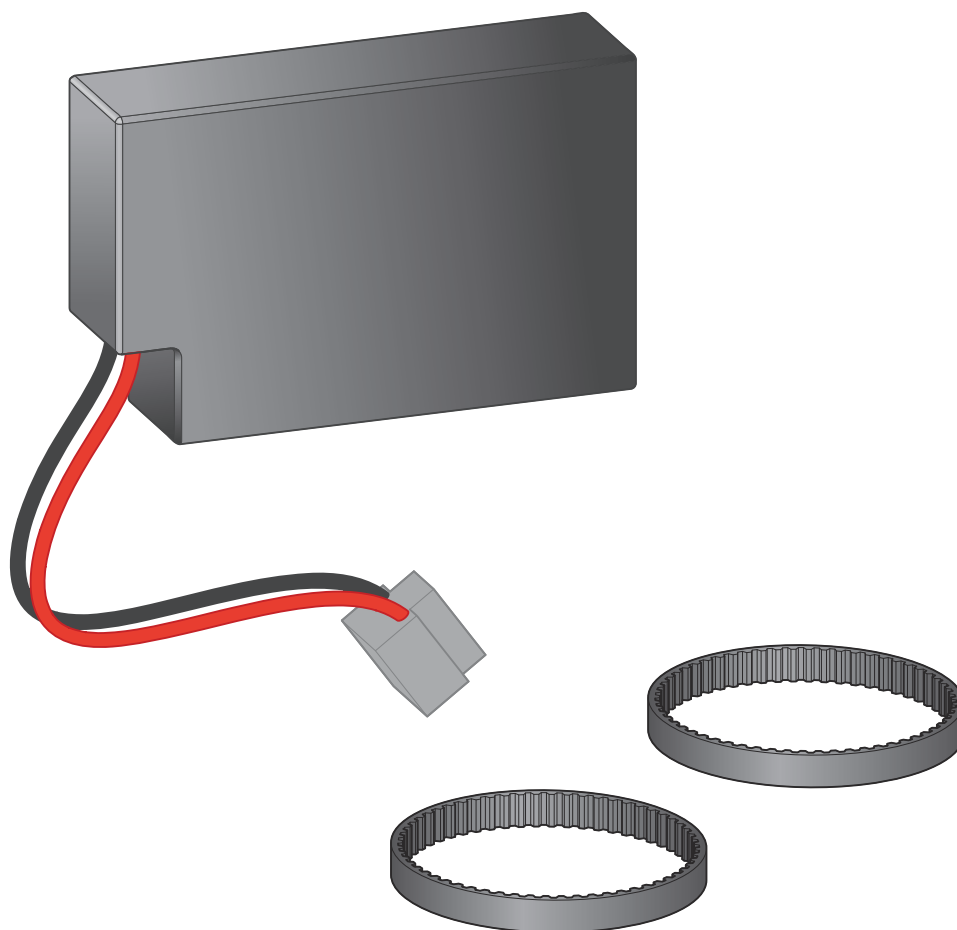


Instructions for Use

Multiplex Trio E battery and toothed belt set



for all Multiplex Trio E models

Model
6146.39

viega

Table of contents

1	About these instructions for use	3
	1.1 Target groups	3
	1.2 Labelling of notes	3
	1.3 About this translated version	4
2	Product information	5
	2.1 Standards and regulations	5
	2.2 Safety advice	5
	2.3 Area of application	5
	2.4 Product description	6
3	Handling	7
	3.1 Assembly	7
	3.1.1 Mounting spare parts	7
	3.2 Disposal	12

1 About these instructions for use

1.1 Target groups

The information in this instruction manual is directed at the following groups of people:

- Heating and sanitary professionals and trained personnel

Individuals without the abovementioned training or qualification are not permitted to mount, install and, if required, maintain this product. This restriction does not extend to possible operating instructions.

The installation of Viega products must take place in accordance with the general rules of engineering and the Viega instructions for use.

1.2 Labelling of notes

Warning and advisory texts are set aside from the remainder of the text and are labelled with the relevant pictographs.



DANGER!

This symbol warns of possible life-threatening injury.



WARNING!

This symbol warns of possible serious injury.



CAUTION!

This symbol warns of possible injury.



NOTICE!

This symbol warns of possible damage to property.



This symbol gives additional information and hints.

1.3 About this translated version

This instruction for use contains important information about the choice of product or system, assembly and commissioning as well as intended use and, if required, maintenance measures. The information about the products, their properties and application technology are based on the current standards in Europe (e.g. EN) and/or in Germany (e.g. DIN/DVGW).

Some passages in the text may refer to technical codes in Europe/Germany. These should serve as recommendations in the absence of corresponding national regulations. The relevant national laws, standards, regulations, directives and other technical provisions take priority over the German/European directives specified in this manual: The information herein is not binding for other countries and regions; as said above, they should be understood as a recommendation.

2 Product information

2.1 Standards and regulations

The following standards and regulations apply to Germany / Europe and are provided as a support feature.

Regulations from section: Mounting spare parts

Scope / Notice	Regulations applicable in Germany
230-V connection	VDE 0100 Part 701 (IEC 6036-7-701:2006, modified)

2.2 Safety advice



DANGER! **Risk of electric shock!**

An electric shock can lead to burns and serious injury and even death.

- Only allow electrical work to be carried out by qualified electricians.
- Always de-energise the connection cable before work is commenced.

2.3 Area of application

The Multiplex Trio E battery and toothed belt set is suitable only for installation in Multiplex Trio E models 6146, 6146.2 and 6146.215.

2.4 Product description

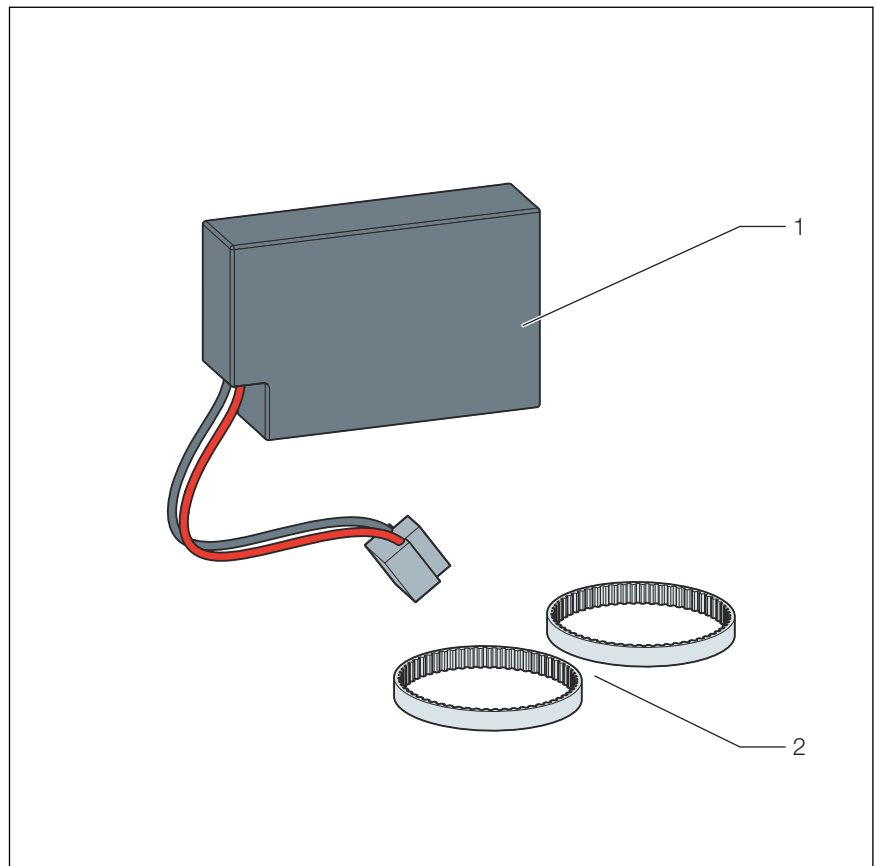


Fig. 1: Multiplex Trio E battery and toothed belt set

- 1 Battery
- 2 Toothed belt

3 Handling

3.1 Assembly

3.1.1 Mounting spare parts

Replace battery



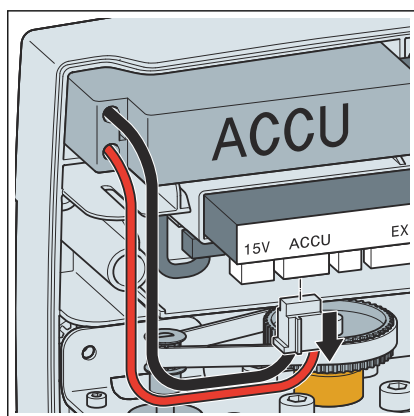
DANGER!

An electric shock can lead to burns and serious injury and even death.

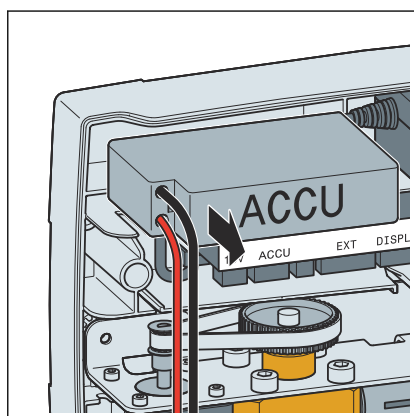
- Only allow electrical work to be carried out by qualified electricians.
- Always de-energise the connection cable before work is commenced.

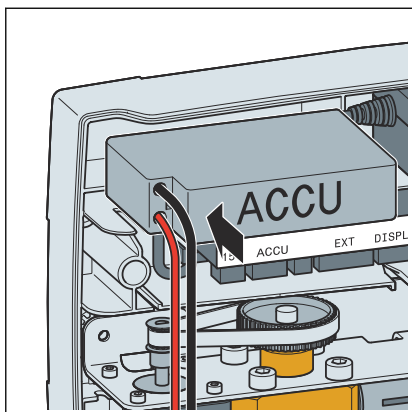
Requirements:

- A 230 V connection is available as power supply, see [↗](#) 'Regulations from section: Mounting spare parts' on page 5.
- Loosen the battery from the control electronics.

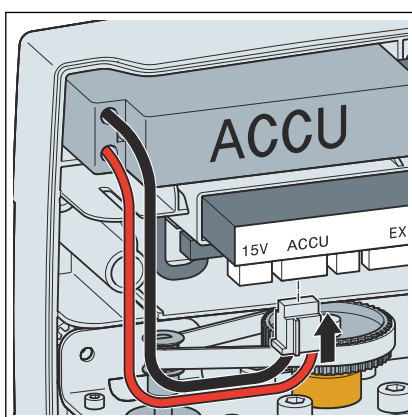


- Remove the old battery.





➤ Insert the new battery.



➤ Connect the battery to the control electronics.

INFO! Observe correct plug alignment.

INFO! Make sure you feel the plug snap into place.

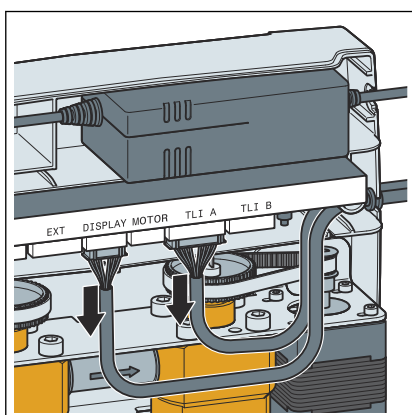
Replacing the toothed belt



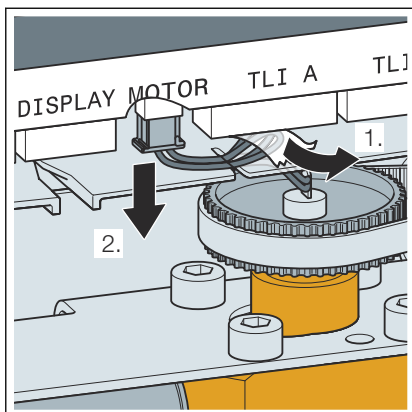
DANGER!

An electric shock can lead to burns and serious injury and even death.

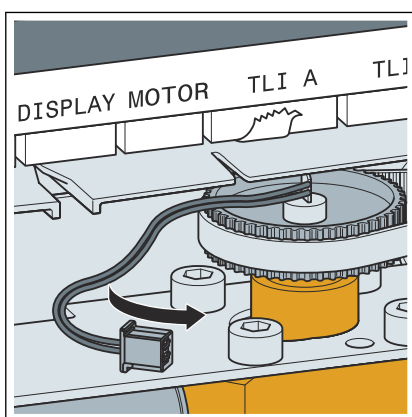
- Only allow electrical work to be carried out by qualified electricians.
- Always de-energise the connection cable before work is commenced.



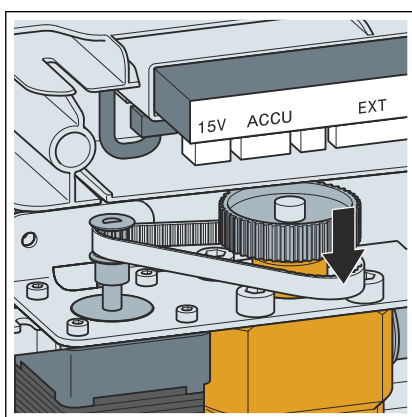
➤ Loosen the display and the TLI A-connection.



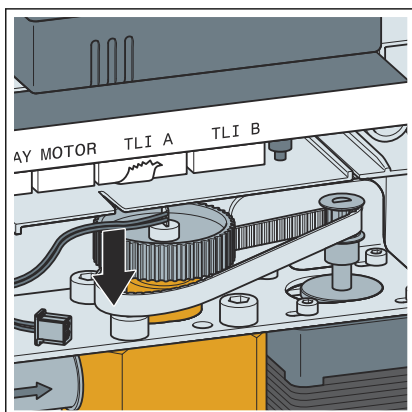
- Loosen the temperature sensor from the control electronics.
- Detach the label on one side.



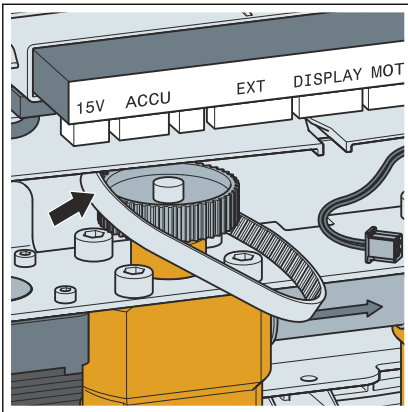
- Expose the temperature sensor connection cable.



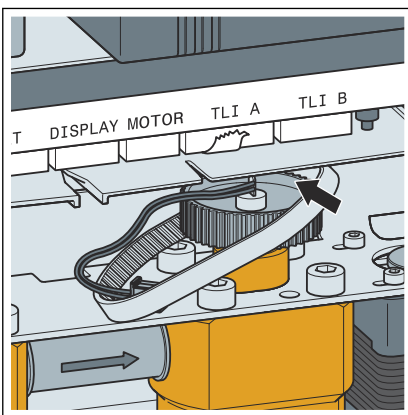
- Loosen the toothed belt on the left side of the large gear wheel.



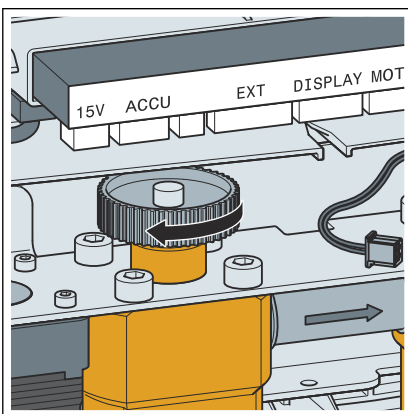
- Loosen the toothed belt on the right side of the large gear wheel.



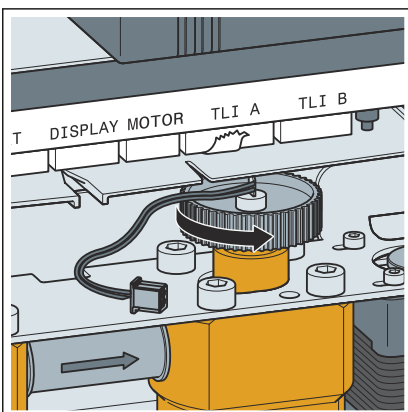
► Pull off the toothed belt on the left side over the large gear wheel.



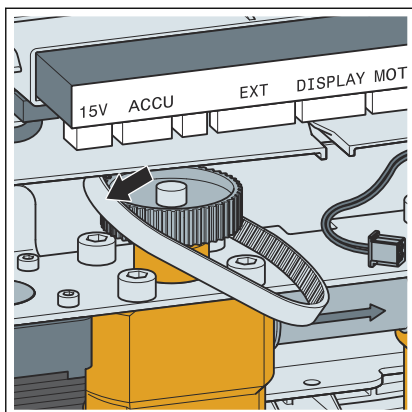
► Pull off the toothed belt on the right side over the large gear wheel.
NOTICE! Do not damage the temperature sensor.



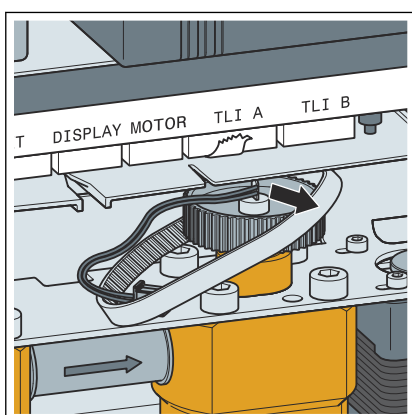
► Turn the large gear wheel on the left side anti-clockwise as far as it will go.



► Turn the large gear wheel on the right side clockwise as far as it will go.

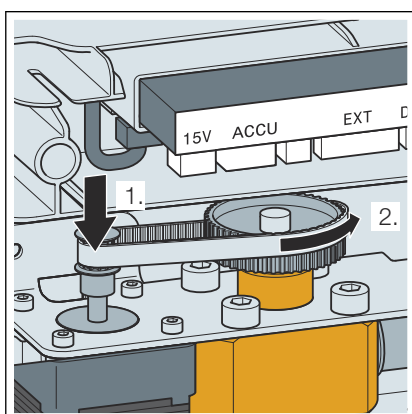


- Push the new toothed belt on the left side over the large gear wheel.

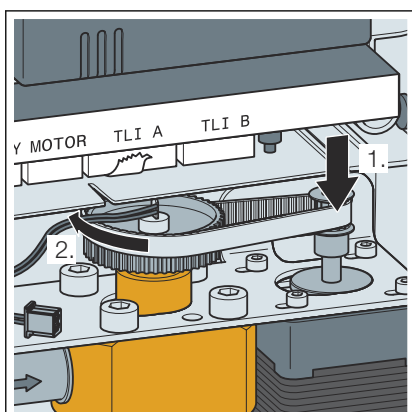


- Push the new toothed belt on the right side over the large gear wheel.

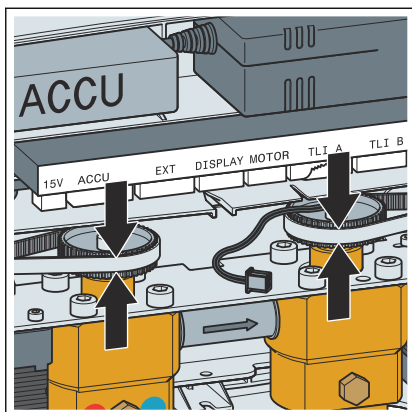
NOTICE! Do not damage the temperature sensor.



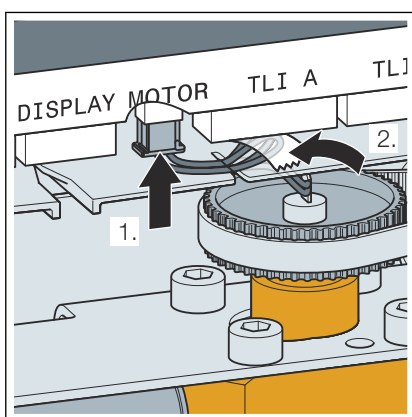
- Lay the toothed belt on the left side on the small gear wheel.
- To wind on the toothed belt, turn the large gear wheel clockwise.



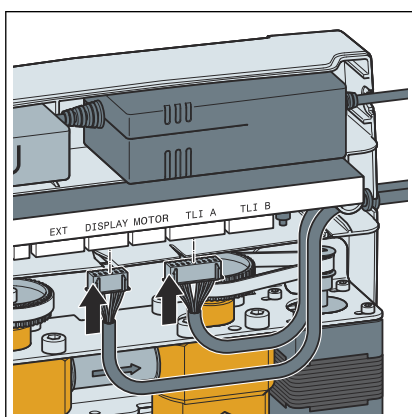
- Lay the toothed belt on the right side on the small gear wheel.
- To wind on the toothed belt, turn the large gear wheel anti-clockwise.



- Check that the toothed belt is seated centrally.



- Connect the temperature sensor.
- Affix the label.



- Connect the plugs of the cables of the control and display element with the sockets of the control unit.
Connect the control element with the socket marked "TLI A".
Connect the display element with the socket marked "DISPLAY".
The plugs have a groove left and right on one long side which must face forward when plugging in.
- Restore the mains voltage.

3.2 Disposal

Separate the product and packaging materials (e. g. paper, metal, plastic or non-ferrous metals) and dispose of in accordance with valid national legal requirements.



Viega GmbH & Co. KG
service-technik@viega.de
viega.com

INT • 2022-08 • VPN190545

