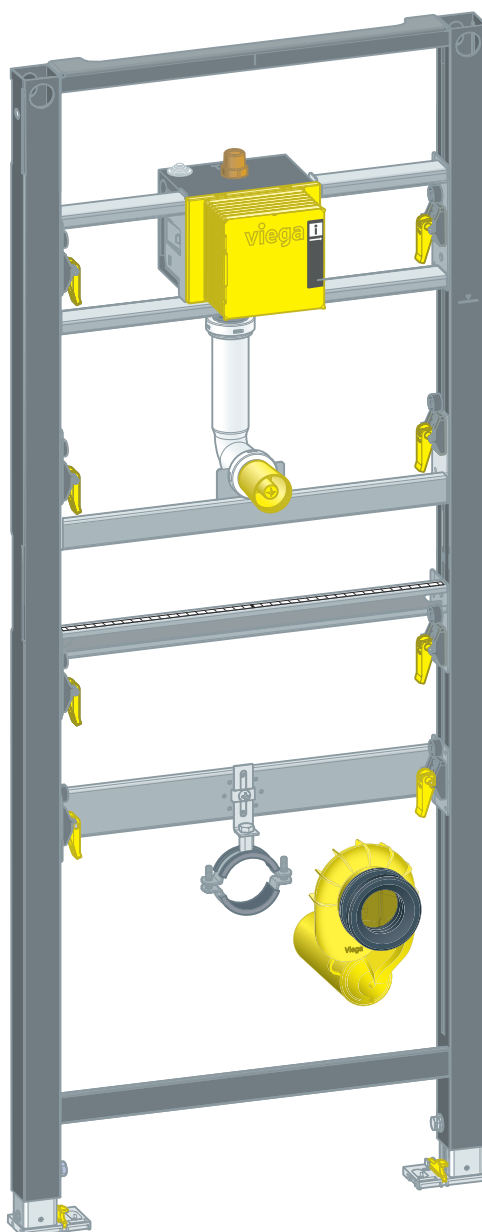


Instructions for Use

Prevista Dry urinal element telescopic



for urinal flush plates for Prevista

Model
8560

Year built (from)
03/2019

viega

Table of contents

1	About these instructions for use	3
	1.1 Target groups	3
	1.2 Labelling of notes	3
	1.3 About this translated version	4
2	Product information	5
	2.1 Standards and regulations	5
	2.2 Intended use	5
	2.2.1 Areas of application	5
	2.3 Product description	5
	2.3.1 Overview	5
	2.3.2 Compatible components	6
	2.3.3 Technical data	6
	2.4 Accessories	7
3	Handling	8
	3.1 Assembly information	8
	3.1.1 Mounting conditions	8
	3.1.2 Installation dimensions	9
	3.2 Assembly	9
	3.2.1 Mounting the element	9
	3.2.2 Mounting the water connection	15
	3.2.3 Set and clad the element	16
	3.3 Disposal	18

1 About these instructions for use

Trade mark rights exist for this document; for further information, go to viega.com/legal.

1.1 Target groups

The information in this instruction manual is directed at the following groups of people:

- Heating and plumbing experts and trained personnel
- Drywall builders

Individuals without the abovementioned training or qualification are not permitted to mount, install and, if required, maintain this product. This restriction does not extend to possible operating instructions.

The installation of Viega products must take place in accordance with the general rules of engineering and the Viega instructions for use.

1.2 Labelling of notes

Warning and advisory texts are set aside from the remainder of the text and are labelled with the relevant pictographs.



DANGER!

This symbol warns of possible life-threatening injury.



WARNING!

This symbol warns of possible serious injury.



CAUTION!

This symbol warns of possible injury.



NOTICE!

This symbol warns of possible damage to property.



This symbol gives additional information and hints.

1.3 About this translated version

This instruction for use contains important information about the choice of product or system, assembly and commissioning as well as intended use and, if required, maintenance measures. The information about the products, their properties and application technology are based on the current standards in Europe (e.g. EN) and/or in Germany (e.g. DIN/DVGW).

Some passages in the text may refer to technical codes in Europe/Germany. These should serve as recommendations in the absence of corresponding national regulations. The relevant national laws, standards, regulations, directives and other technical provisions take priority over the German/European directives specified in this manual: The information herein is not binding for other countries and regions; as said above, they should be understood as a recommendation.

2 Product information

2.1 Standards and regulations

The following standards and regulations apply to Germany / Europe and are provided as a support feature.

Regulations from section: Fields of application / Mounting conditions

Scope / Notice	Regulations applicable in Germany
Suitable masonry walls	EN 1996-1-1
Suitable concrete walls	DIN 1045
Suitable stud frames	DIN 18183

2.2 Intended use

2.2.1 Areas of application

The Prevista Dry urinal element is suitable for mounting on masonry wall constructions and stud frames pursuant to the regulations in section [↪ Chapter 2.1 'Standards and regulations' on page 5](#) and can be used in a Prevista Dry Plus pre-wall construction.

2.3 Product description

2.3.1 Overview

The urinal element is equipped as follows:

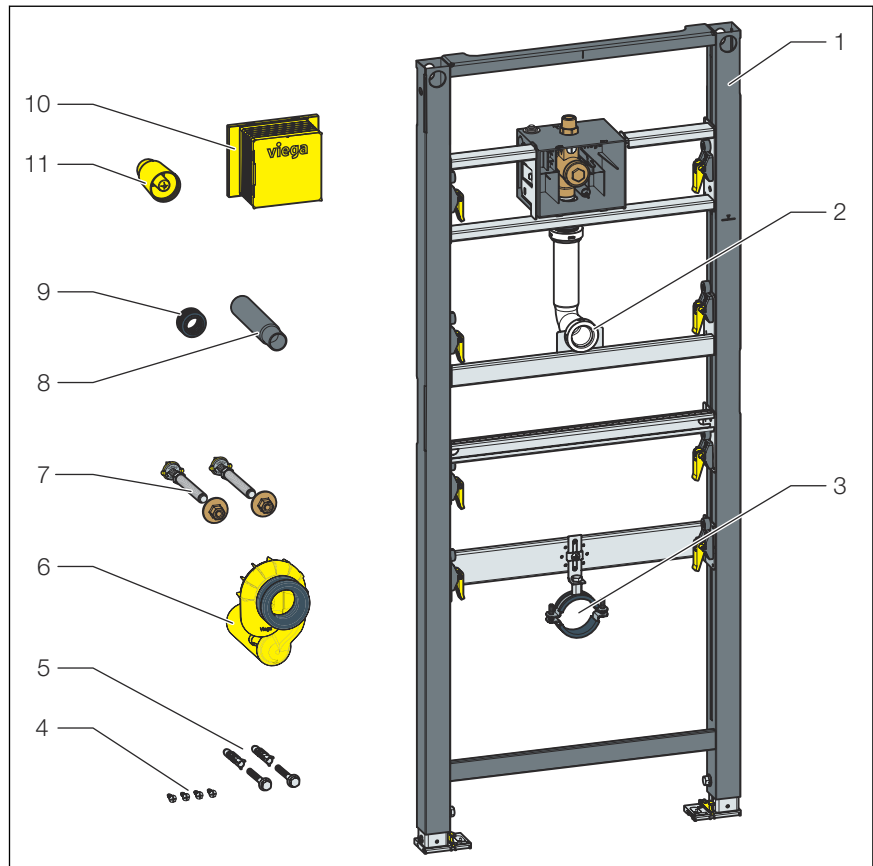


Fig. 1: Components

- 1 Urinal element
- 2 supply fitting
- 3 pipe clamp
- 4 Screws and dowels for fixing in the floor
- 5 Screws for fixing in stud frame
- 6 Suction moulded piece
- 7 Sanitary object fixing
- 8 Plug-in piece
- 9 Seal
- 10 Site protection
- 11 Protective plug urinal inlet

2.3.2 Compatible components

The urinal element is compatible with all common urinal ceramics without spray head.

2.3.3 Technical data

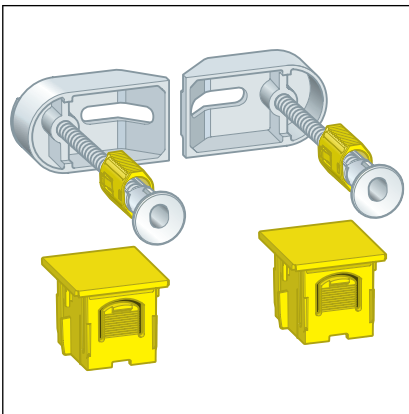
Waste elbow	DN50
Fitting connection	Rp ½

Construction height	1300 mm
Hole diameter for fixing in timber stud frame	11 mm

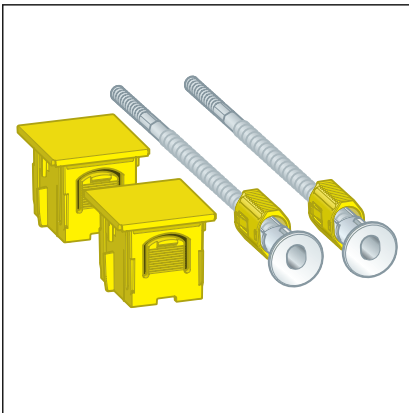
2.4 Accessories

For mounting on a masonry wall, Viega recommends a Prevista Dry fixing set.

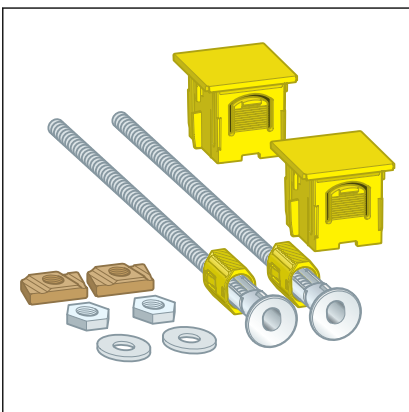
Prevista Dry fixing set model 8570.36.



Prevista Dry fixing set model 8573.



Prevista Dry Plus fixing set model 8570.49.




3 Handling

3.1 Assembly information

3.1.1 Mounting conditions

Suitable walls

- Masonry walls
- Concrete walls
- Metal stud frames
- Prevista Dry Plus pre-wall constructions

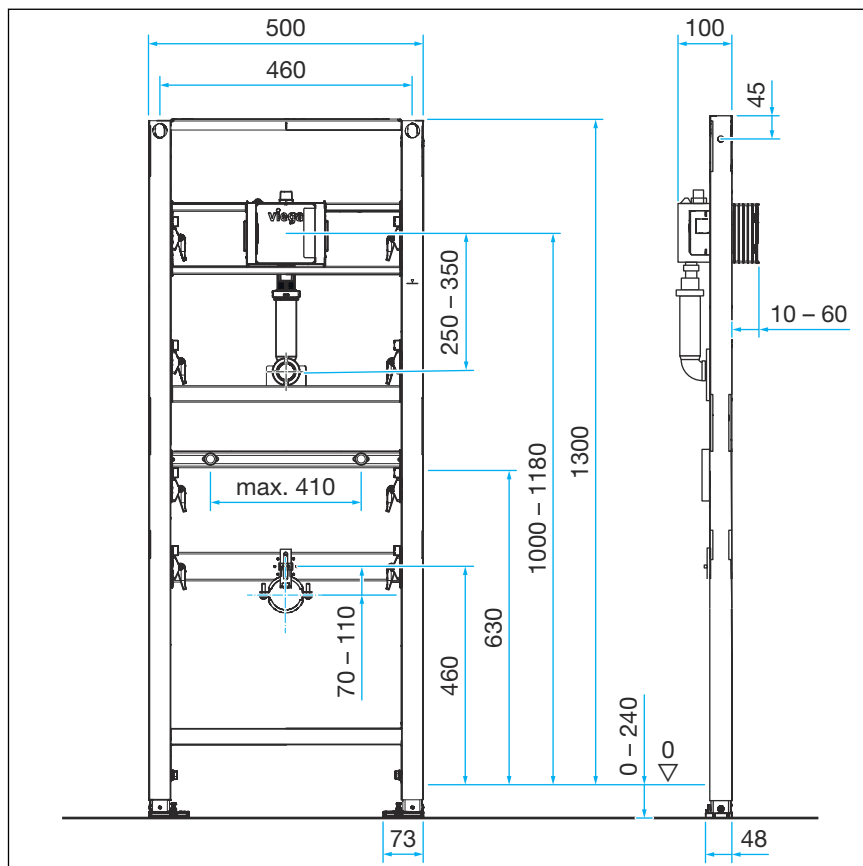
The wall constructions must comply with the regulations in section  'Regulations from section: Fields of application / Mounting conditions' on page 5.

The urinal element may only be mounted on even wall surfaces.

Construction height

The urinal element is suitable for a construction height of 1300 mm.

3.1.2 Installation dimensions



3.2 Assembly

3.2.1 Mounting the element



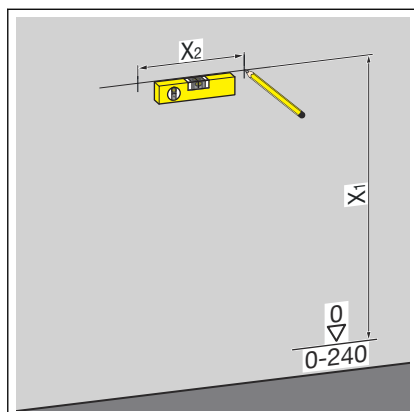
Masonry and concrete walls

You should use a Prevista Dry support bracket (model 8570.48) when mounting multiple urinal elements with an interval of > 500 mm. Observe the instructions for use of the support bracket when mounting.

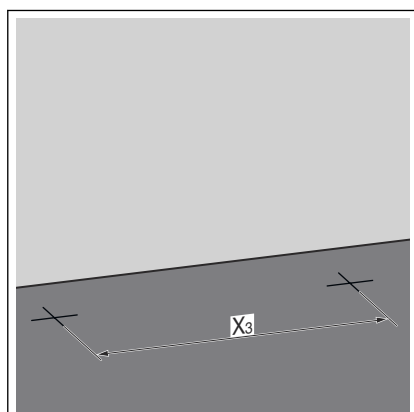


For mounting, Viega recommends to use a Prevista Dry fixing set.

Mounting to a masonry or concrete wall

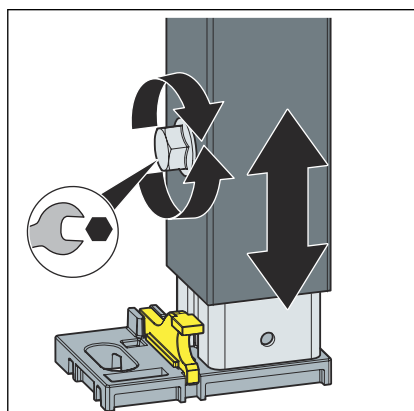


- Determine and mark the fixing points.
 - X1: 1280 mm
 - X2: Depending on the fixing set used

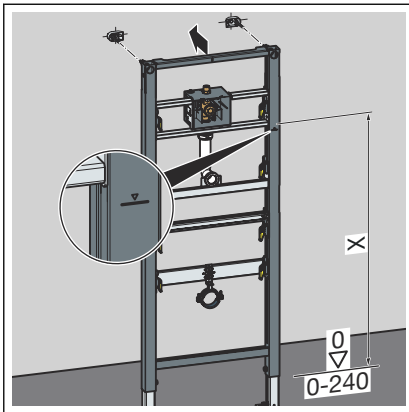


- Determine and mark the fixing points on the floor.
 - X3: 375 mm
- Drill the holes.
- Insert the dowels.

INFO! Mount the Prevista Dry fixing set pursuant to the instructions for use for the fixing set.



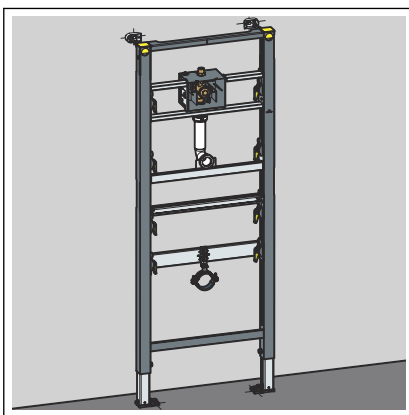
- Loosen the feet of the element using a fork spanner.



➤ Adjust the construction height of the element in accordance with the on-site marking of the upper edge of the finished floor.

■ X: 1000 mm

➤ Tighten the feet of the element using a fork spanner.

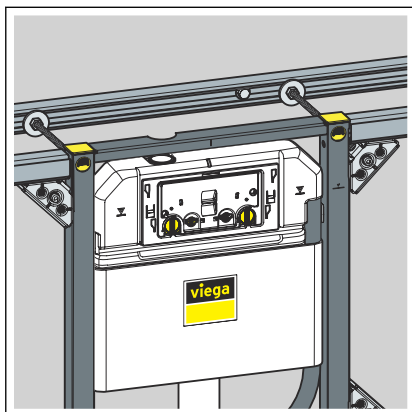


◇ The element is attached to the wall.

Mounting in Prevista Dry Plus

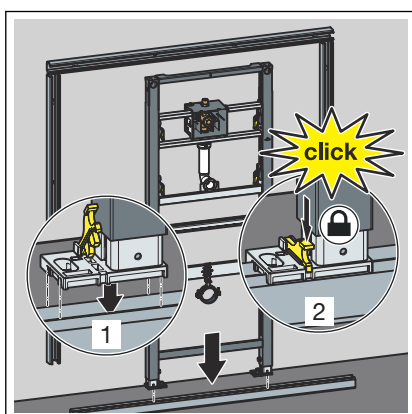


Mount the Prevista Dry Plus pre-wall construction pursuant to the instructions for use of the Prevista Dry Plus system.

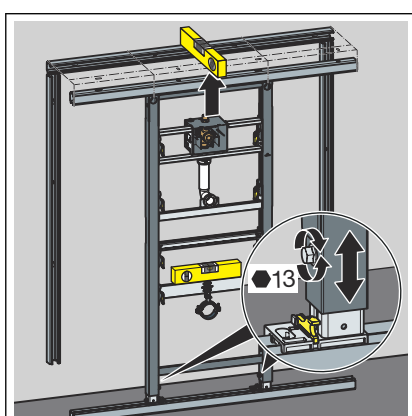


NOTICE!

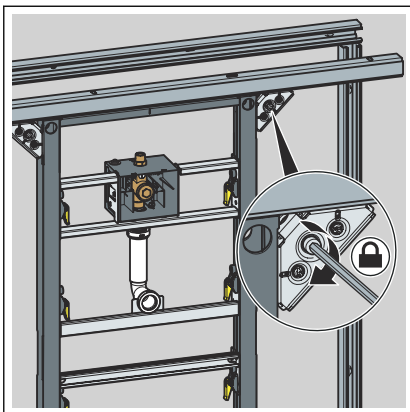
When mounting without a continuous rail above the element, the Prevista Dry Plus fixing set (model 8570.49) must also be used. See example with WC element model 8521.



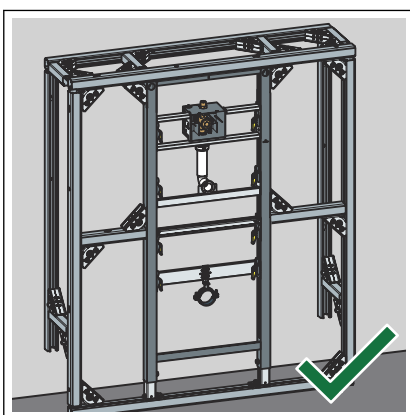
- Position the element on the floor rail.
- Fix the feet on the floor rail using the clips.



- Set the height of the element by means of the feet.

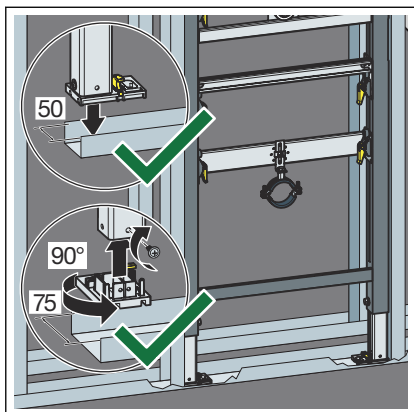


■ Fix the element with the Prevista Dry Plus rail connectors.

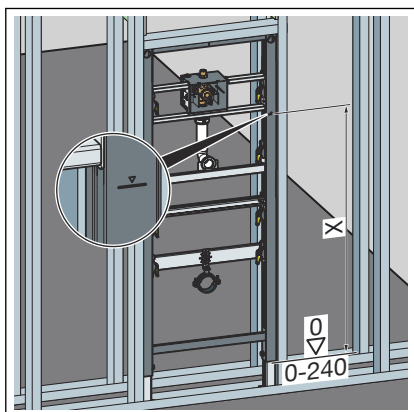


□ The element is fixed in the Prevista Dry Plus pre-wall construction.

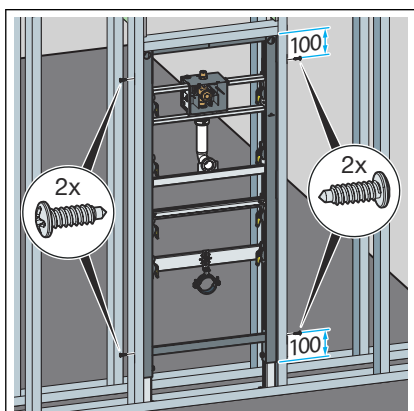
Mounting in steel stud frame



- Position the element on the floor rail.
- If necessary, adjust the foot depth from 50 mm (pre-mounted) to 75 mm.
- Pull the foot out and turn by 90°.
- Fix the feet.

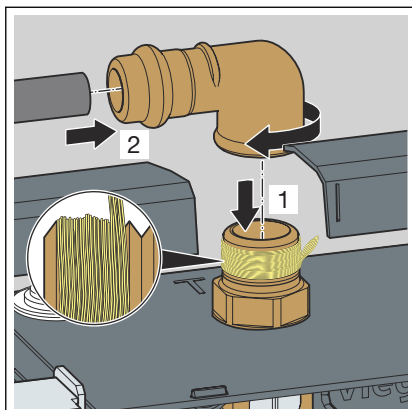


- Adjust the construction height of the element in accordance with the on-site marking of the upper edge of the finished floor.
 - X: 1000 mm

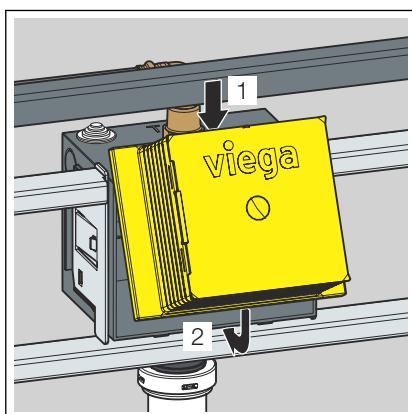


- Attach the element to the stud frame using the screws supplied.

3.2.2 Mounting the water connection

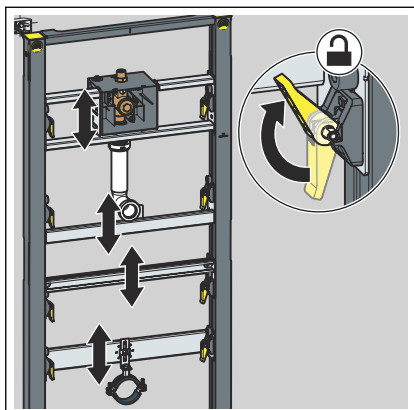


- Seal the connection end of the urinal water path.
- Screw the threaded end of the adapter elbow and the connection end of the urinal water path.
- Insert the water inlet into the transition angle.
- Press the connection.

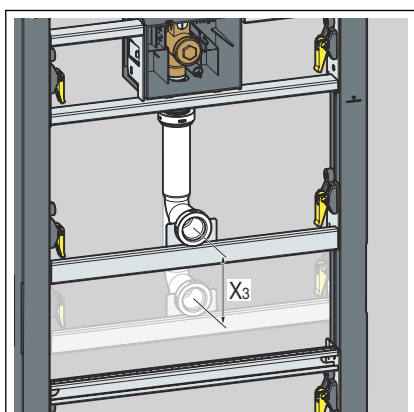


- Mount the inspection shaft.

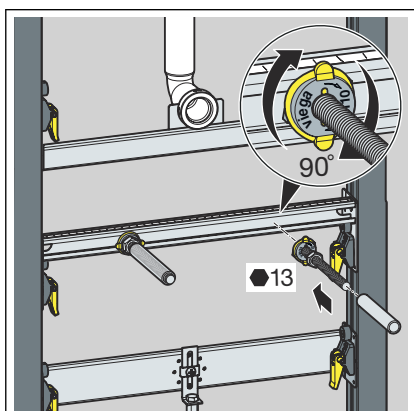
3.2.3 Set and clad the element



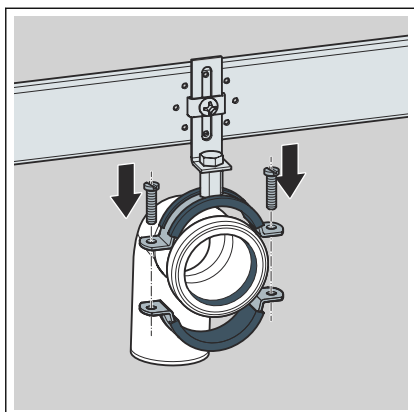
- Use the quick releases to adjust the ledges for drain elbows, supply fittings and urinal fixing to the desired height.



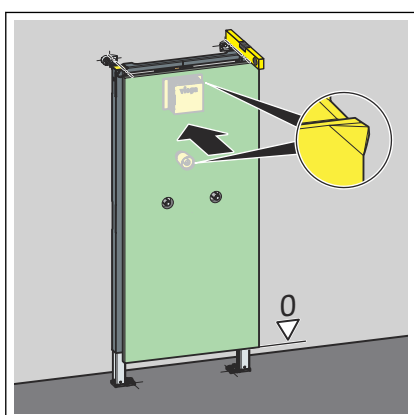
- Set the flushing pipe to the desired height.
 - X3: max 100 mm



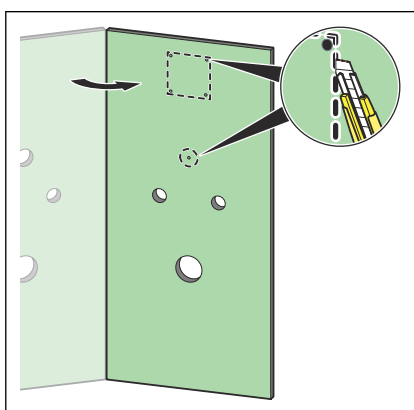
- Turn in the threaded rods by hand.
- Tighten the nuts of the threaded rods with a fork spanner.
- Place the protective caps on the threaded rods.



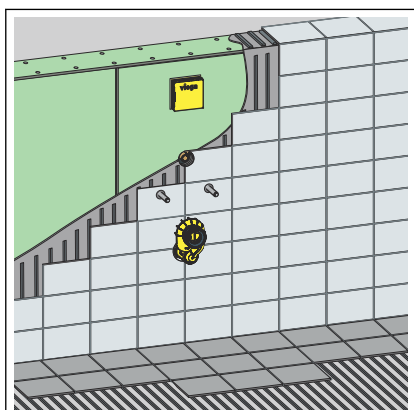
► Mount a drain elbow.



► Impress the plasterboard cladding panel at the inspection shaft by applying gentle pressure.

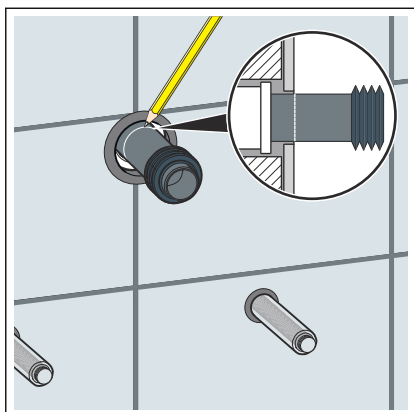


► Cut out the recesses for the drain elbow, the inspection shaft and the threaded rods.

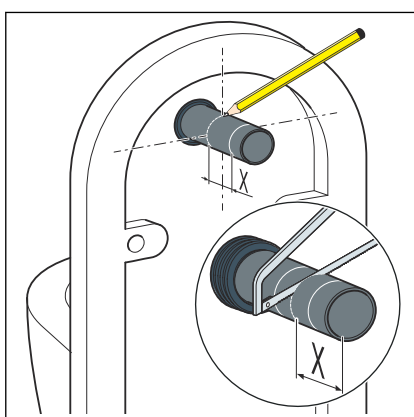


INFO! The maximum wall installation is 60 mm.

► Clad the element with suitable plasterboard cladding panels.



- Insert the plug-in piece into the drain elbow and mark at tile height.



- Insert the plug-in piece through the ceramic.
- Mark the plug-in piece flush at the rear of the ceramic.
- The dimension between the two markings (X) is the length to be shortened.
- Shorten the plug-in piece by dimension X.

3.3 Disposal

Separate the product and packaging materials (e. g. paper, metal, plastic or non-ferrous metals) and dispose of in accordance with valid national legal requirements.



Viega GmbH & Co. KG
service-technik@viega.de
viega.com

INT • 2023-10 • VPN230293

