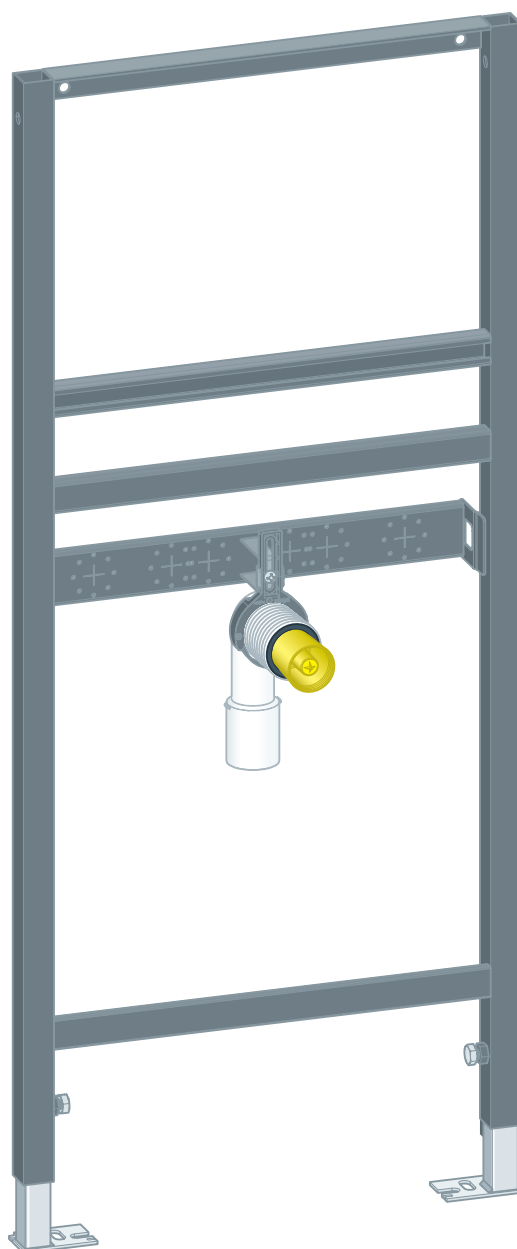


## Instructions for Use

# Prevista Dry washbasin element 1120



for single-hole fitting

**Model**  
8539

**Year built (from)**  
03/2019

**viega**

# Table of contents

<b>1</b>	<b>About these instructions for use</b>	<b>3</b>
	1.1 Target groups	3
	1.2 Labelling of notes	3
	1.3 About this translated version	4
<b>2</b>	<b>Product information</b>	<b>5</b>
	2.1 Standards and regulations	5
	2.2 Intended use	5
	2.2.1 Areas of application	5
	2.3 Product description	6
	2.3.1 Overview	6
	2.3.2 Compatible components	6
	2.3.3 Technical data	6
	2.4 Accessories	7
<b>3</b>	<b>Handling</b>	<b>8</b>
	3.1 Assembly information	8
	3.1.1 Mounting conditions	8
	3.1.2 Installation dimensions	9
	3.2 Assembly	9
	3.2.1 Mounting the element	9
	3.2.2 Set and clad the element	14
	3.3 Disposal	16

# 1 About these instructions for use

Trade mark rights exist for this document; for further information, go to [viega.com/legal](http://viega.com/legal).

## 1.1 Target groups

The information in this instruction manual is directed at the following groups of people:

- Heating and plumbing experts and trained personnel
- Drywall builders

Individuals without the abovementioned training or qualification are not permitted to mount, install and, if required, maintain this product. This restriction does not extend to possible operating instructions.

The installation of Viega products must take place in accordance with the general rules of engineering and the Viega instructions for use.

## 1.2 Labelling of notes

Warning and advisory texts are set aside from the remainder of the text and are labelled with the relevant pictographs.



### **DANGER!**

This symbol warns of possible life-threatening injury.



### **WARNING!**

This symbol warns of possible serious injury.



### **CAUTION!**

This symbol warns of possible injury.



### **NOTICE!**

This symbol warns of possible damage to property.



This symbol gives additional information and hints.

### 1.3 About this translated version

This instruction for use contains important information about the choice of product or system, assembly and commissioning as well as intended use and, if required, maintenance measures. The information about the products, their properties and application technology are based on the current standards in Europe (e.g. EN) and/or in Germany (e.g. DIN/DVGW).

Some passages in the text may refer to technical codes in Europe/Germany. These should serve as recommendations in the absence of corresponding national regulations. The relevant national laws, standards, regulations, directives and other technical provisions take priority over the German/European directives specified in this manual: The information herein is not binding for other countries and regions; as said above, they should be understood as a recommendation.

## 2 Product information

### 2.1 Standards and regulations

The following standards and regulations apply to Germany / Europe and are provided as a support feature.

#### Regulations from section: Fields of application / Mounting conditions

Scope / Notice	Regulations applicable in Germany
Suitable masonry walls	EN 1996-1-1
Suitable concrete walls	DIN 1045
Suitable stud frames	DIN 18183

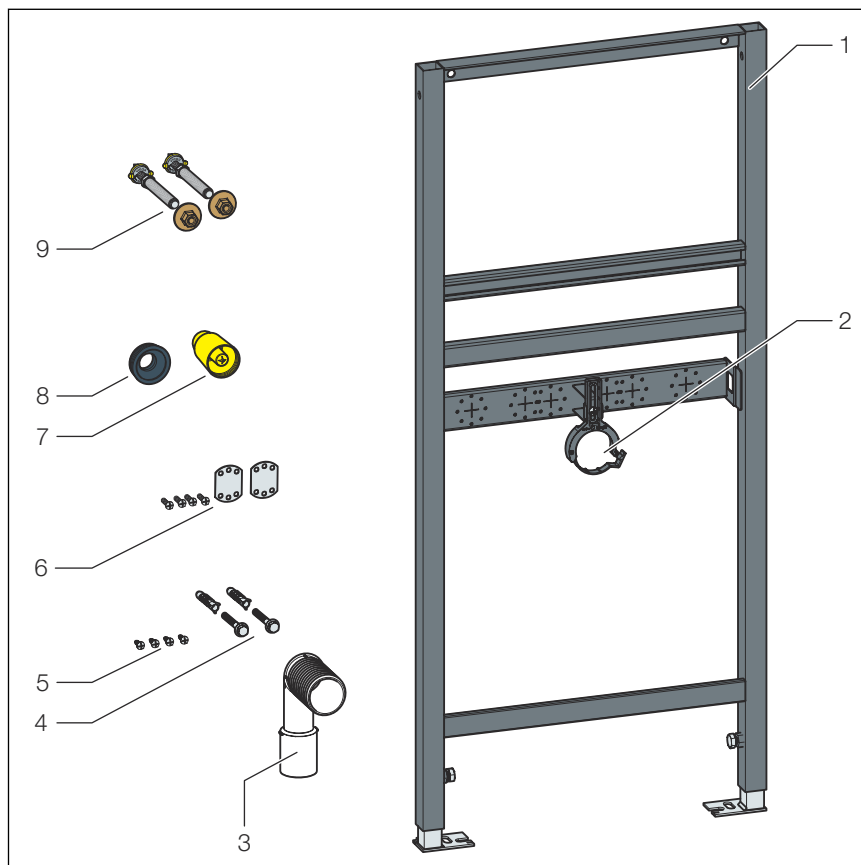
### 2.2 Intended use

#### 2.2.1 Areas of application

The Prevista Dry washbasin element is suitable for mounting on masonry wall constructions and stud frames pursuant to the regulations in section ↪ *Chapter 2.1 'Standards and regulations' on page 5.*

## 2.3 Product description

### 2.3.1 Overview



**Fig. 1: Components and scope of delivery**

- 1 Washbasin element
- 2 Mounting bracket for drain elbow
- 3 Drain elbow
- 4 Screws and dowels for fixing in the floor
- 5 Screws for fixing in stud frame
- 6 Assembly accessories wall plates
- 7 Protective plug
- 8 Flushing pipe connector
- 9 Threaded rods for fixing sanitary objects

### 2.3.2 Compatible components

The washbasin element is compatible with all common washbasin ceramics, even with larger projection (barrier-free).

### 2.3.3 Technical data

Drain elbow (outlet side)	DN 40 / 50
Rubber nipple	DN 50 / 30
Construction height	1120 mm

## 2.4 Accessories

For mounting, Viega recommends to use the fixing set (model 8180.73).


## 3 Handling

### 3.1 Assembly information

#### 3.1.1 Mounting conditions

##### Suitable walls

- Masonry walls
- Concreted walls
- Steel stud frame

The wall constructions must comply with the regulations in section  'Regulations from section: Fields of application / Mounting conditions' on page 5.

The washbasin element may only be mounted on even wall surfaces.

##### Construction height

With the construction height, the marked height of the upper edge of the finished floor must be observed.



### 3.1.2 Installation dimensions

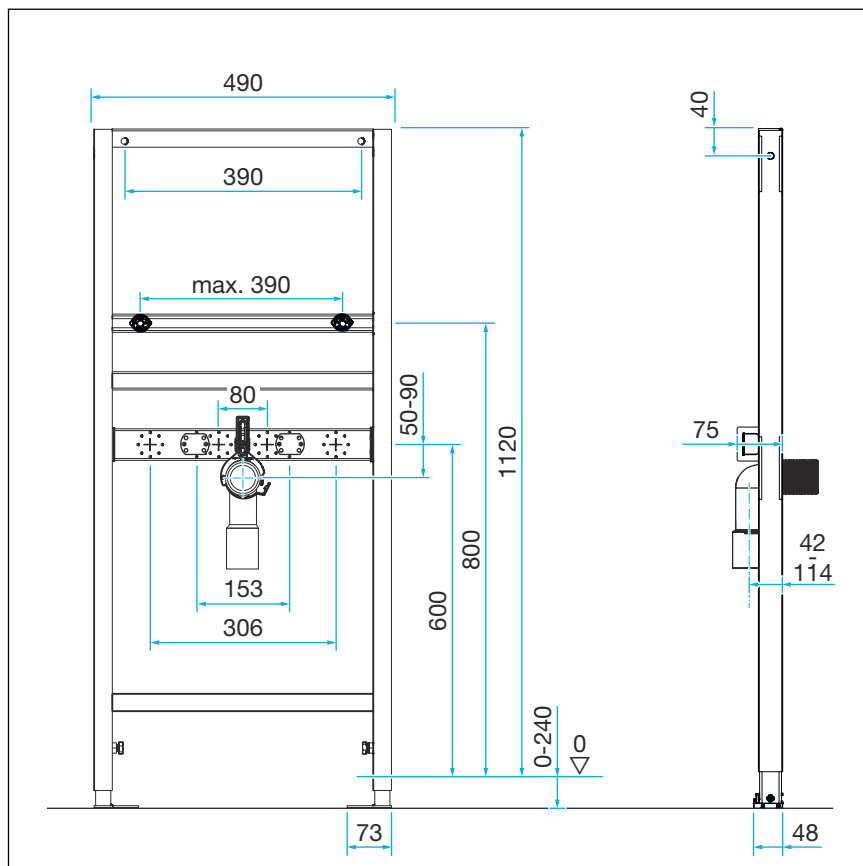


Fig. 2: Dimensions

## 3.2 Assembly

### 3.2.1 Mounting the element



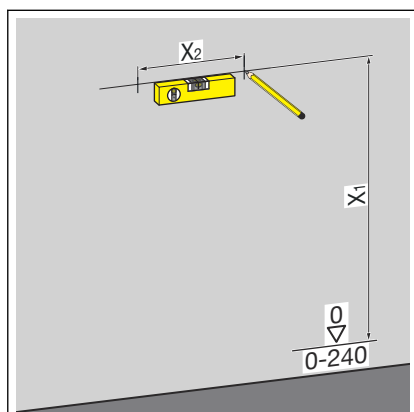
#### Masonry and concrete walls

You should use a Prevista Dry support bracket (model 8570.48) when mounting multiple washbasin elements with an interval of > 500 mm. Observe the instructions for use of the support bracket when mounting.

## Mounting to a masonry wall

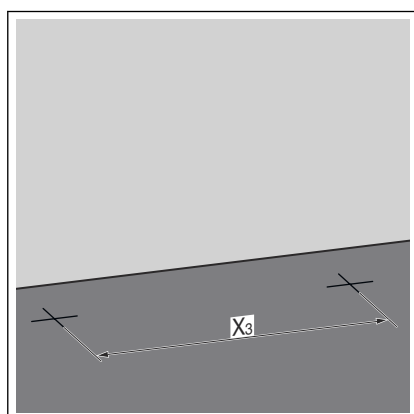


For mounting, Viega recommends to use the fixing set (model 8180.73).



► Determine and mark the fixing points.

- X1: 1100 mm
- X2: 440 mm



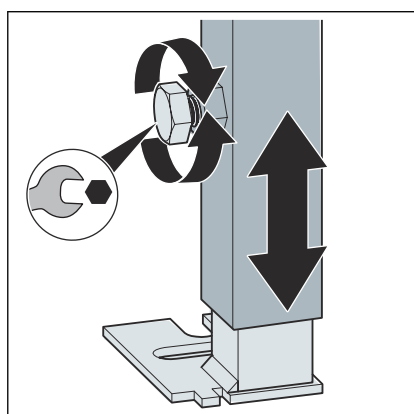
► Determine and mark the fixing points on the floor.

- X3: 405 mm

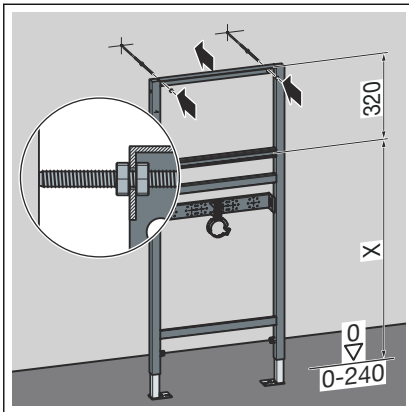
► Drill the holes.

► Insert the dowels.

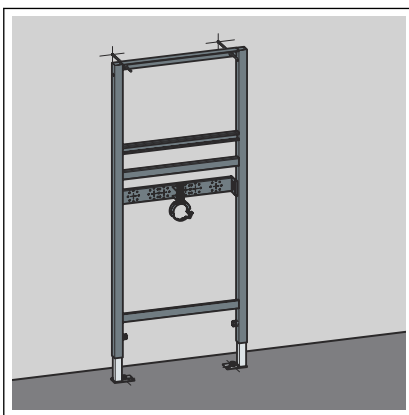
**INFO!** Mount the fixing set (model 8180.73) pursuant to the instructions for use for the fixing set.



► Loosen the feet of the element using a fork spanner.

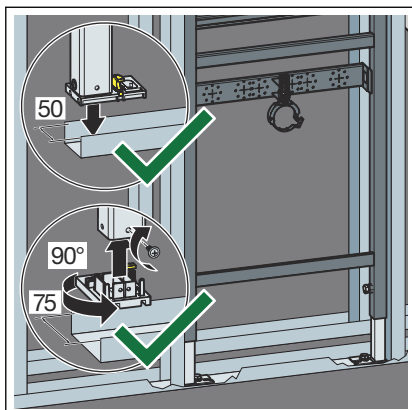


- Set the installation height (X) of the element according to the ceramic manufacturer's instructions.
- Tighten the feet of the element using a fork spanner.

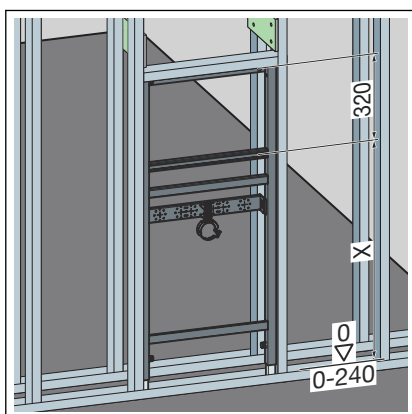


- The element is attached to the wall.

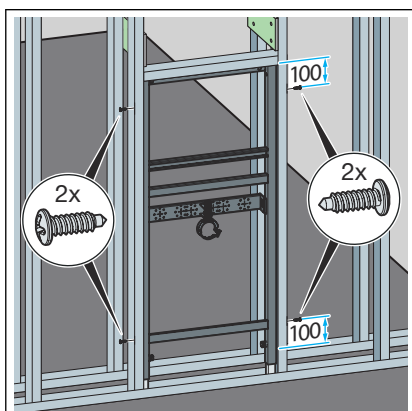
### Mounting in steel stud frame



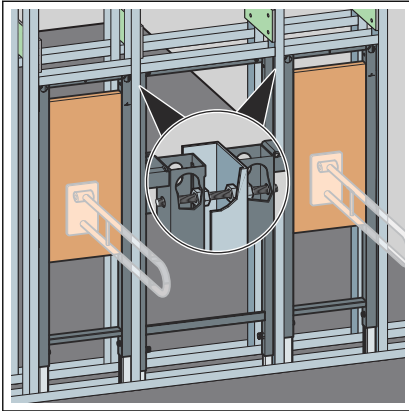
- Position the element on the floor rail.
- If necessary, adjust the foot depth from 50 mm (pre-mounted) to 75 mm.
- Pull the foot out and turn by 90°.
- Fix the feet.



- Set the installation height (X) of the element according to the ceramic manufacturer's instructions.

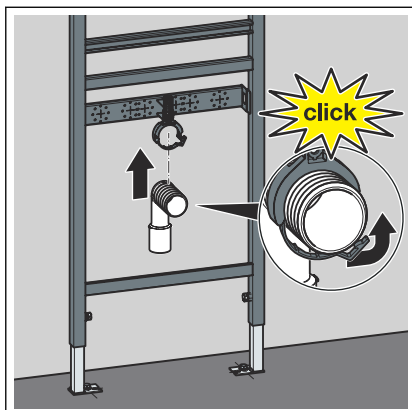


- Attach the element to the stud frame using the screws supplied.

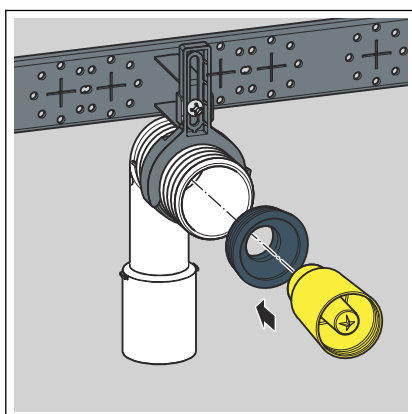


- ▶ If applicable, connect further elements to the element via the stud frame.

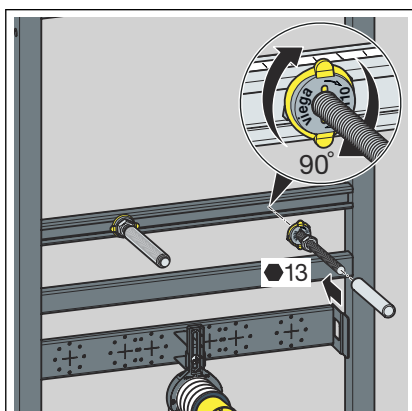
### 3.2.2 Set and clad the element



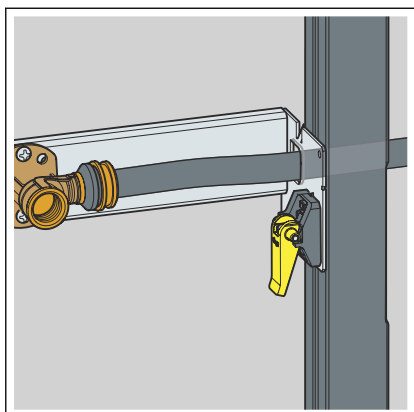
- Mount the drain elbow.



- Mount the seal and the plug.

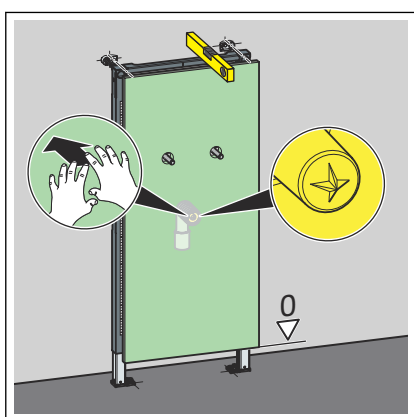


- Turn in the threaded rods by hand.
- Tighten the nuts of the threaded rods with a fork spanner (size 13).
- Place the protective caps on the threaded rods.
- Make the water connections.

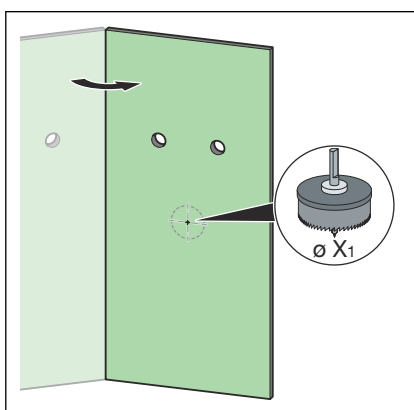


► The opening in the support can be used as an alternative bushing for plastic pipelines.

Example with washbasin element model 8535.

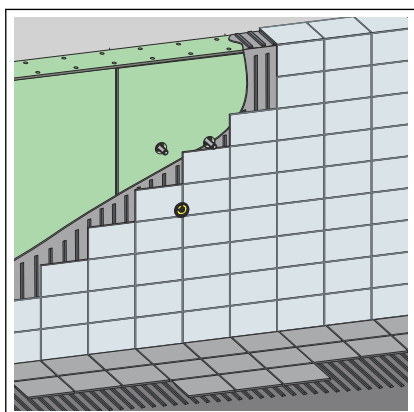


► Impress the plasterboard cladding panel at the plug using gentle pressure.



► Cut out the recesses for the plug and the threaded rods.

■  $X_1$ : min. 58 mm



► Clad the element with suitable plasterboard cladding panels.

### 3.3 Disposal

Separate the product and packaging materials (e. g. paper, metal, plastic or non-ferrous metals) and dispose of in accordance with valid national legal requirements.





**Viega GmbH & Co. KG**  
service-technik@viega.de  
viega.com

INT • 2023-01 • VPN210817

