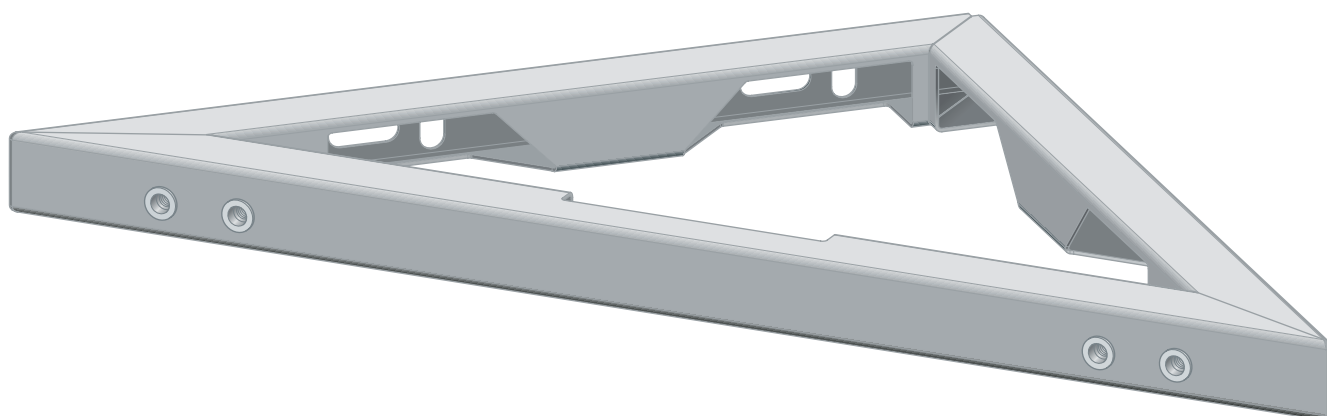


Instructions for Use

Prevista Dry mounting unit



for Prevista Dry elements with hole size 390 mm or 460 mm

Model
8534

Year built (from)
12/2022

viega

Table of contents

1	About these instructions for use	3
	1.1 Target groups	3
	1.2 Labelling of notes	3
	1.3 About this translated version	4
2	Product information	5
	2.1 Standards and regulations	5
	2.2 Intended use	5
	2.2.1 Areas of application	5
	2.3 Product description	6
	2.3.1 Overview	6
	2.3.2 Accessories	6
3	Handling	8
	3.1 Assembly information	8
	3.1.1 Installation dimensions	8
	3.2 Assembly	9
	3.2.1 Mounting the mounting unit	9
	3.2.2 Cladding the element	13
	3.3 Disposal	14

1 About these instructions for use

Trade mark rights exist for this document; for further information, go to viega.com/legal.

1.1 Target groups

The information in this instruction manual is directed at the following groups of people:

- Heating and plumbing experts and trained personnel

Individuals without the abovementioned training or qualification are not permitted to mount, install and, if required, maintain this product. This restriction does not extend to possible operating instructions.

The installation of Viega products must take place in accordance with the general rules of engineering and the Viega instructions for use.

1.2 Labelling of notes

Warning and advisory texts are set aside from the remainder of the text and are labelled with the relevant pictographs.



DANGER!

This symbol warns of possible life-threatening injury.



WARNING!

This symbol warns of possible serious injury.



CAUTION!

This symbol warns of possible injury.



NOTICE!

This symbol warns of possible damage to property.



This symbol gives additional information and hints.

1.3 About this translated version

This instruction for use contains important information about the choice of product or system, assembly and commissioning as well as intended use and, if required, maintenance measures. The information about the products, their properties and application technology are based on the current standards in Europe (e.g. EN) and/or in Germany (e.g. DIN/DVGW).

Some passages in the text may refer to technical codes in Europe/Germany. These should serve as recommendations in the absence of corresponding national regulations. The relevant national laws, standards, regulations, directives and other technical provisions take priority over the German/European directives specified in this manual: The information herein is not binding for other countries and regions; as said above, they should be understood as a recommendation.

2 Product information

2.1 Standards and regulations

The following standards and regulations apply to Germany / Europe and are provided as a support feature.

Regulations from section: Fields of application / Mounting conditions

Scope / Notice	Regulations applicable in Germany
Suitable masonry walls	EN 1996-1-1
Suitable concrete walls	DIN 1045

2.2 Intended use

2.2.1 Areas of application

The Prevista Dry mounting unit is suitable for:

- Prevista Dry WC elements with 3H cistern (exception: model 8521.32)
- Prevista Dry washbasin elements (exception: model 8535.32)
- Prevista Dry urinal elements
- Prevista Dry bidet elements

2.3 Product description

2.3.1 Overview

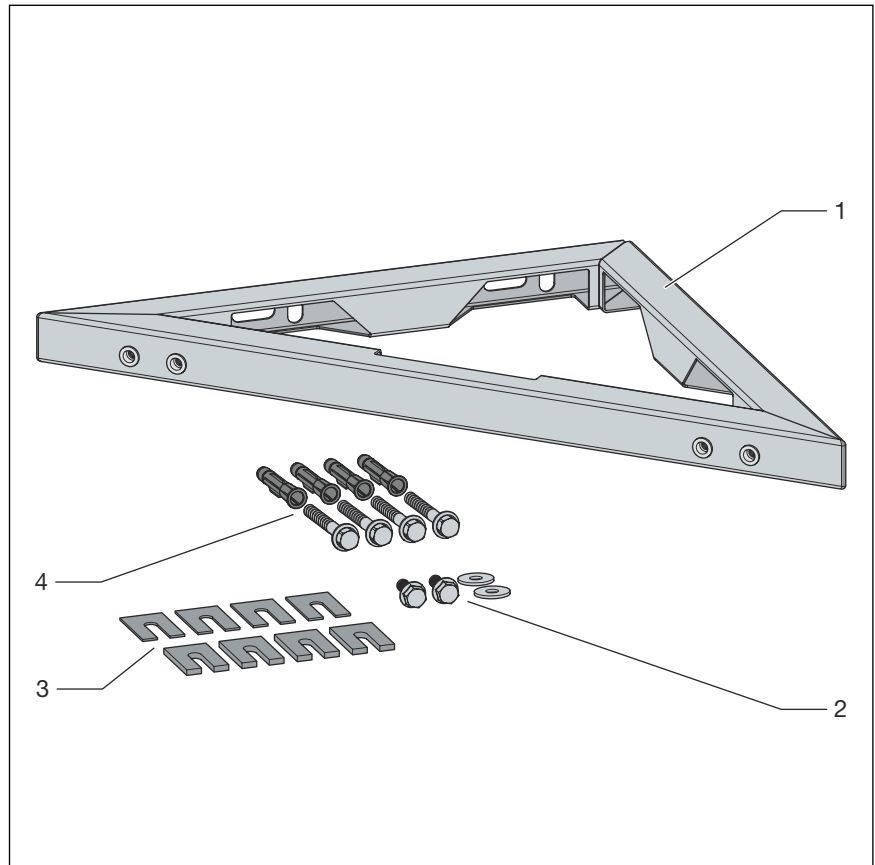
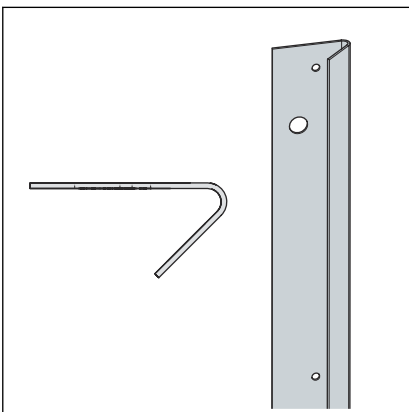


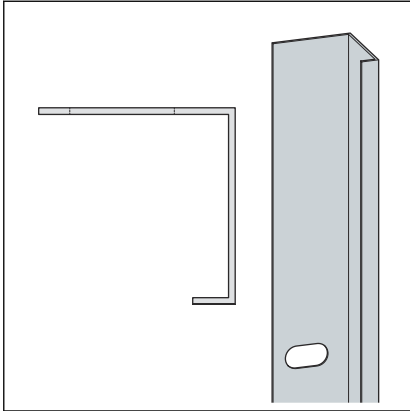
Fig. 1: Components

- 1 Prevista Dry mounting unit
- 2 Fixing material for element
- 3 Compensating pieces
- 4 Fixing material for wall

2.3.2 Accessories



Mounting profile 45° (model 8077) for cladding on self-supporting wall and for corner mounting to the left and right of the element.



Mounting profile 90° (model 8076) for cladding on self-supporting wall.

3 Handling

3.1 Assembly information

3.1.1 Installation dimensions

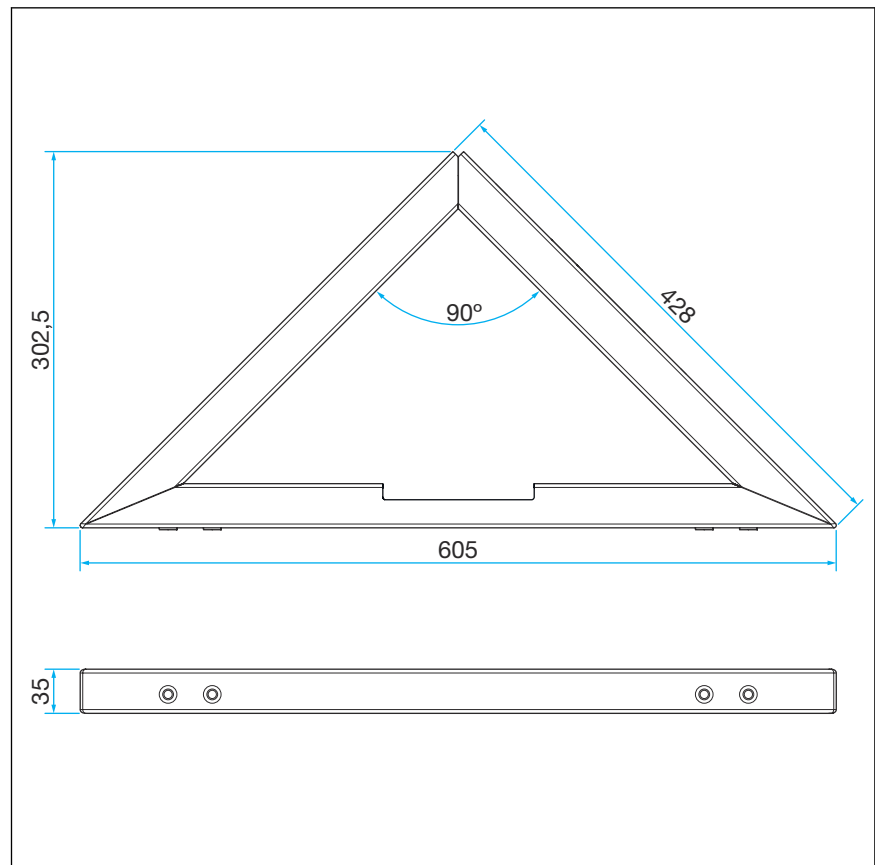


Fig. 2: Dimensional drawing

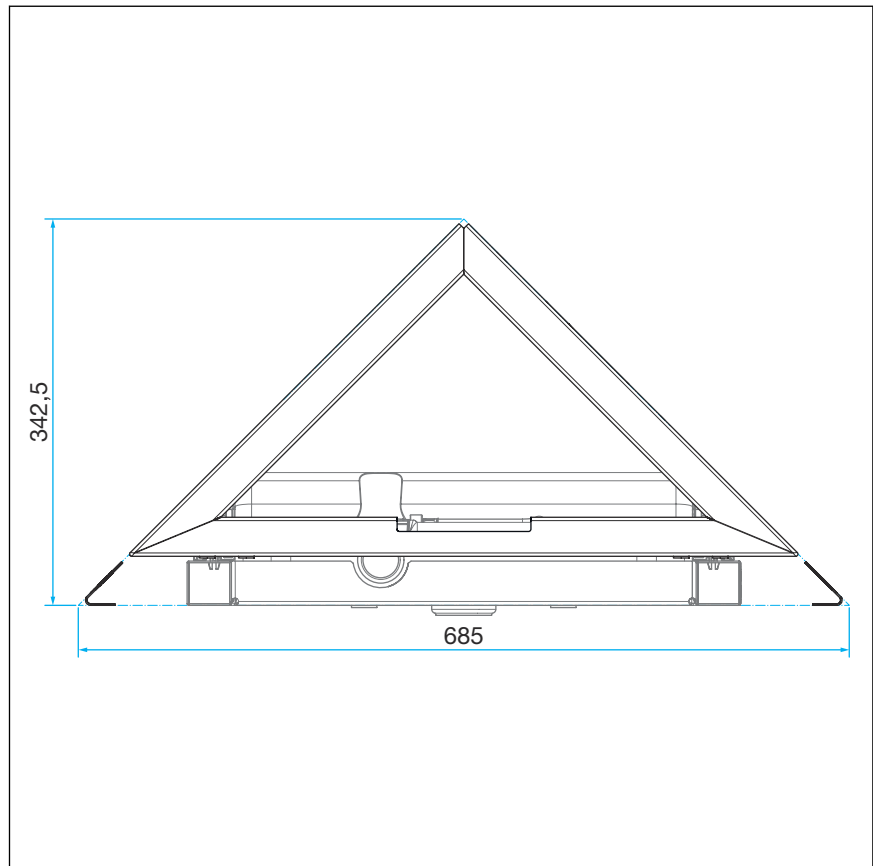


Fig. 3: Installation dimensions with element

3.2 Assembly

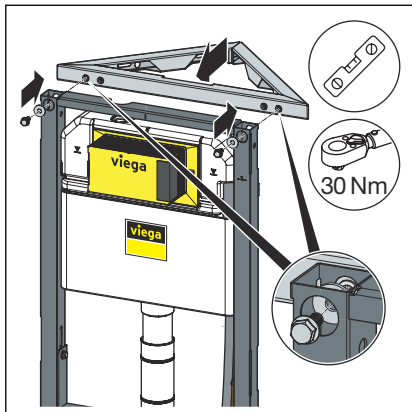
3.2.1 Mounting the mounting unit



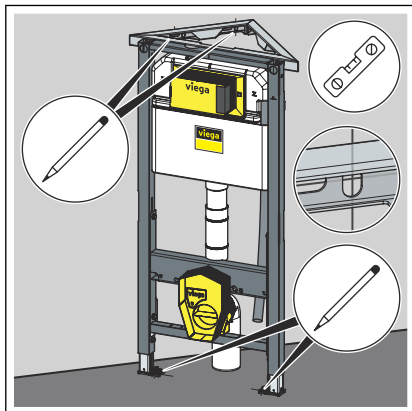
Only models with a 3H cistern can be used for Prevista Dry WC elements.

The corner valve must always be inserted into the cistern from behind.

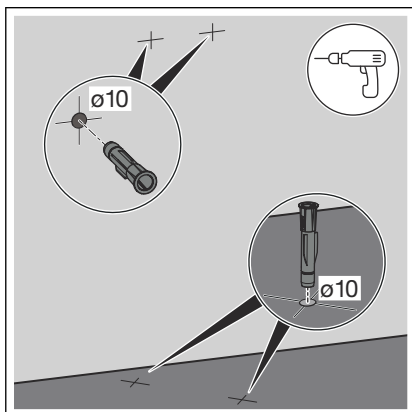
Mounting on a self-supporting wall



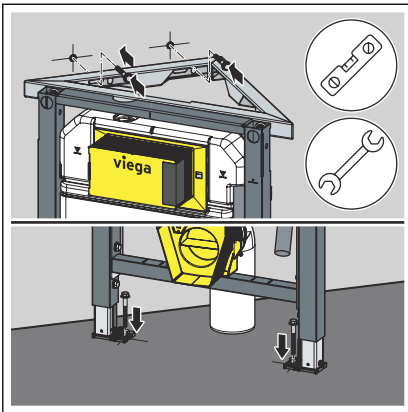
- Screw the Prevista Dry element to the Prevista Dry mounting unit.
Tightening torque: maximum 30 Nm



- Align the Prevista Dry element.
- Determine and mark the fixing points on the wall and on the floor.

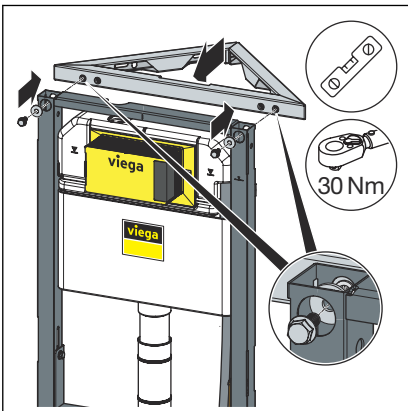


- Drill the holes.
- Insert the dowels.

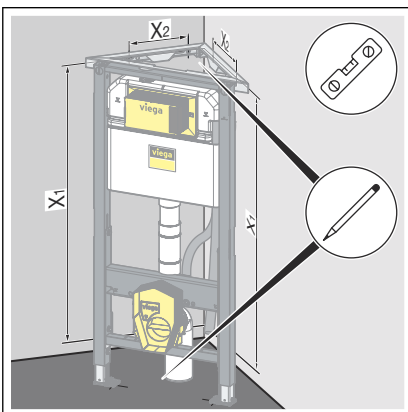


- Align the Prevista Dry element according to its instructions for use and screw it tight.

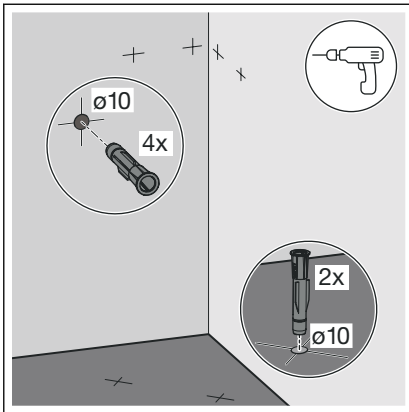
Mounting in a room corner



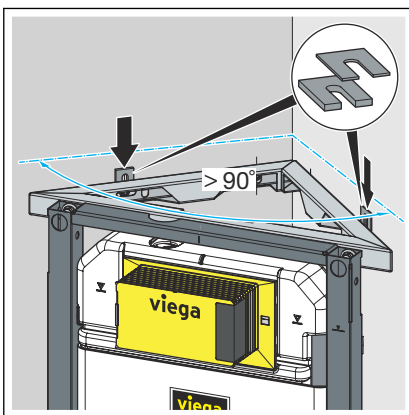
- Screw the Prevista Dry element to the Prevista Dry mounting unit.
Tightening torque: maximum 30 Nm



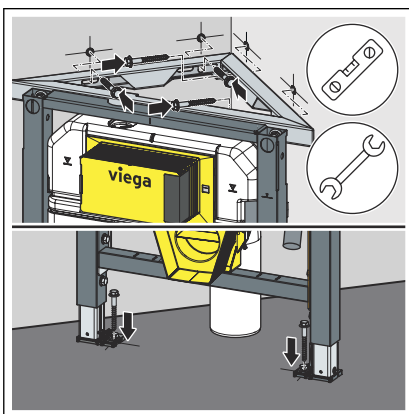
- Determine and mark the fixing points.



- Drill the holes.
- Insert the dowels.



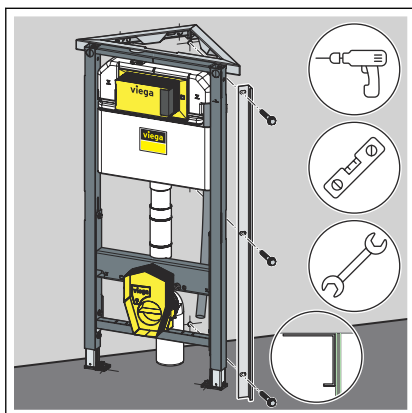
- If the angle of the room corner is $> 90^\circ$, adjust the angle using the compensating pieces.



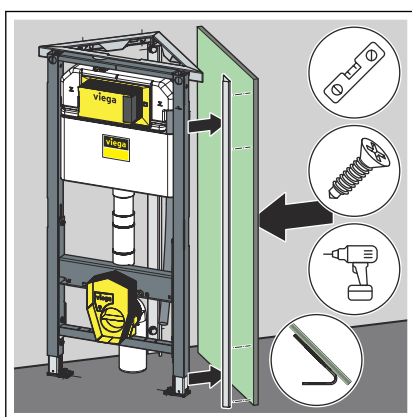
- Align the Prevista Dry element according to its instructions for use and screw it tight.

3.2.2 Cladding the element

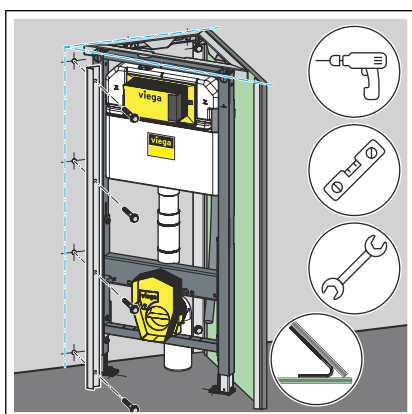
Cladding on a self-supporting wall



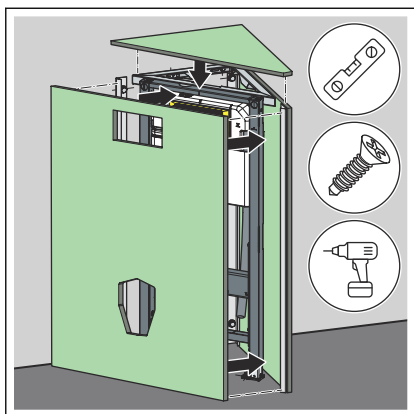
- Mount the mounting profile 90° flush to the wall.



- Mount the mounting profile 45° flush to the first corner of the Prevista Dry mounting unit.
- Clad the element with suitable plasterboard cladding panels.

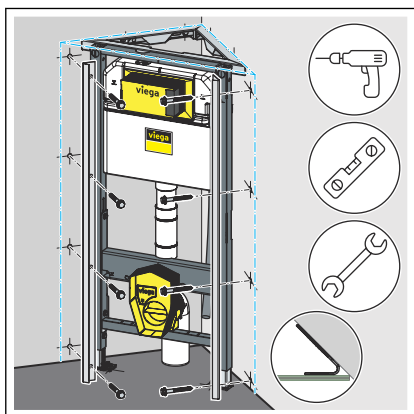


- Mount the mounting profile 45° flush to the second corner of the Prevista Dry mounting unit.
- Clad the element with suitable plasterboard cladding panels.

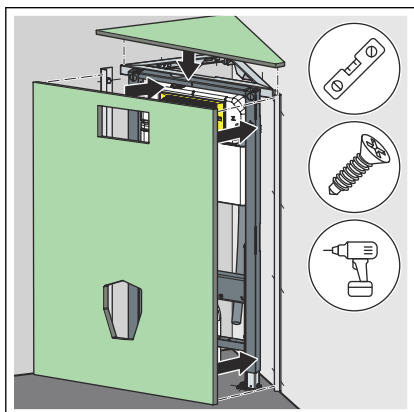


- Clad the rest of the element with suitable plasterboard cladding panels.

Cladding in a room corner



- Mount the mounting profiles 45° flush to the Prevista Dry mounting unit.



- Clad the element with suitable plasterboard cladding panels.

3.3 Disposal

Separate the product and packaging materials (e. g. paper, metal, plastic or non-ferrous metals) and dispose of in accordance with valid national legal requirements.



Viega GmbH & Co. KG
service-technik@viega.de
viega.com

INT • 2023-04 • VPN230064

