

Instructions for Use

Prevista Dry fixing element for 1120 mm support hinged handles



for support hinged handles, barrier-free pre-wall installation

Model
8570.31

Year built (from)
10/2018

viega

Table of contents

1	About these instructions for use	3
	1.1 Target groups	3
	1.2 Labelling of notes	3
	1.3 About this translated version	4
2	Product information	5
	2.1 Intended use	5
	2.1.1 Areas of application	5
	2.2 Product description	5
	2.2.1 Overview	5
3	Handling	6
	3.1 Assembly information	6
	3.1.1 Installation dimensions	6
	3.2 Assembly	7
	3.2.1 Mounting to a masonry wall	7
	3.2.2 Mounting in Prevista Dry Plus	10
	3.2.3 Mounting in steel stud frame	12
	3.3 Disposal	13

1 About these instructions for use

Trade mark rights exist for this document; for further information, go to viega.com/legal.

1.1 Target groups

The information in this instruction manual is directed at the following groups of people:

- Heating and plumbing experts and trained personnel
- Drywall builders

Individuals without the abovementioned training or qualification are not permitted to mount, install and, if required, maintain this product. This restriction does not extend to possible operating instructions.

The installation of Viega products must take place in accordance with the general rules of engineering and the Viega instructions for use.

1.2 Labelling of notes

Warning and advisory texts are set aside from the remainder of the text and are labelled with the relevant pictographs.



DANGER!

This symbol warns of possible life-threatening injury.



WARNING!

This symbol warns of possible serious injury.



CAUTION!

This symbol warns of possible injury.



NOTICE!

This symbol warns of possible damage to property.



This symbol gives additional information and hints.

1.3 About this translated version

This instruction for use contains important information about the choice of product or system, assembly and commissioning as well as intended use and, if required, maintenance measures. The information about the products, their properties and application technology are based on the current standards in Europe (e.g. EN) and/or in Germany (e.g. DIN/DVGW).

Some passages in the text may refer to technical codes in Europe/Germany. These should serve as recommendations in the absence of corresponding national regulations. The relevant national laws, standards, regulations, directives and other technical provisions take priority over the German/European directives specified in this manual: The information herein is not binding for other countries and regions; as said above, they should be understood as a recommendation.

2 Product information

2.1 Intended use

2.1.1 Areas of application

The Prevista Dry fixing element is used to fix sanitary objects in the barrier-free pre-wall installation. The construction height of the fixing element is 1120 mm.

The Prevista Dry fixing element is used to fix support and grab rails to Prevista Dry WC elements.

2.2 Product description

2.2.1 Overview

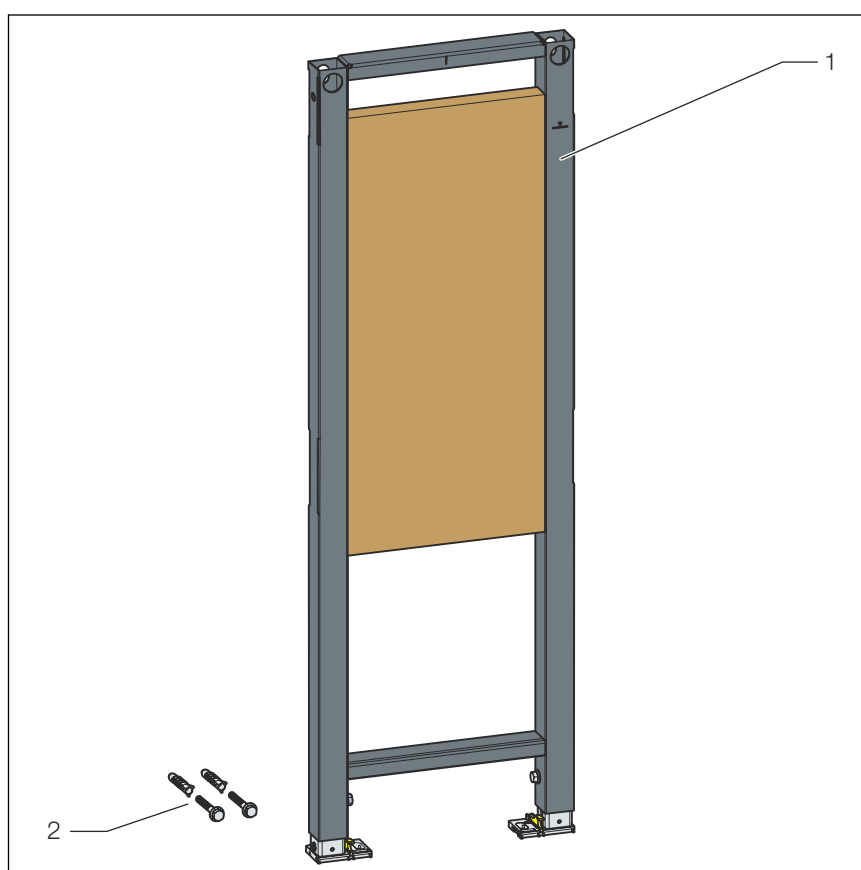


Fig. 1: Component overview

- 1 Prevista Dry fixing element
- 2 Screws and dowels for fixing

3 Handling

3.1 Assembly information

3.1.1 Installation dimensions

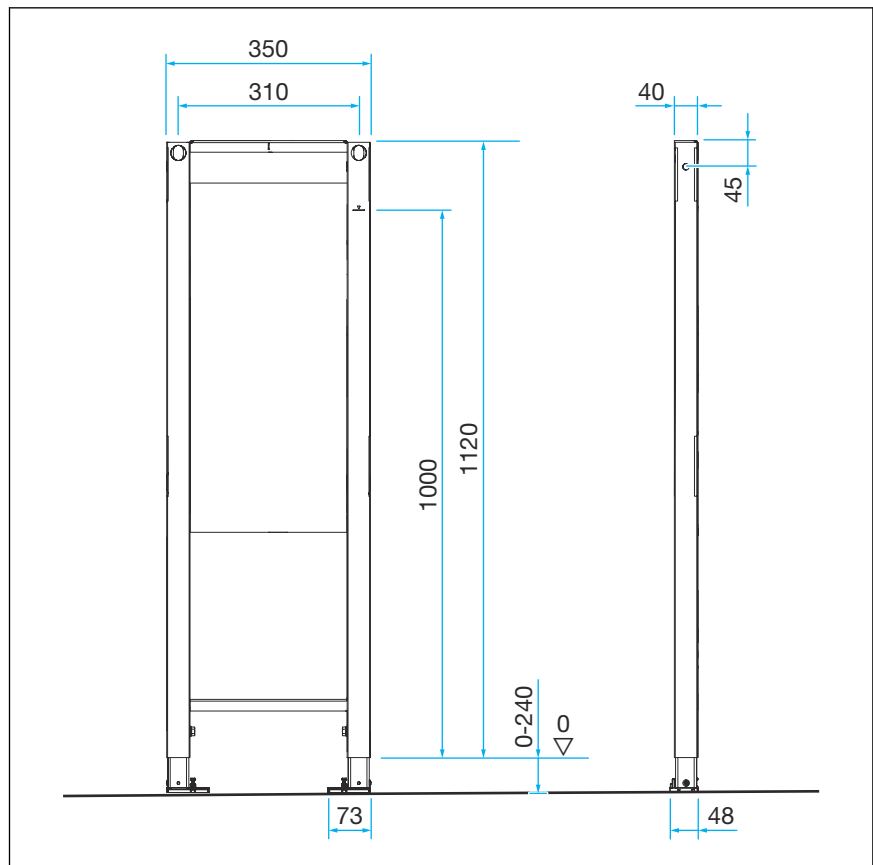
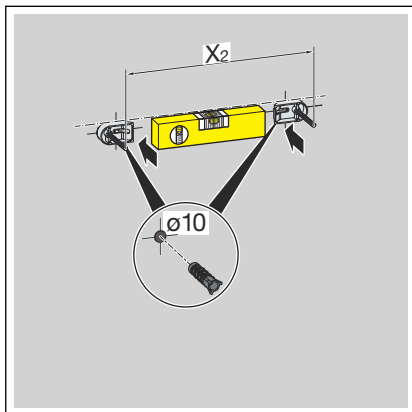


Fig. 2: Dimensions model 8570.31

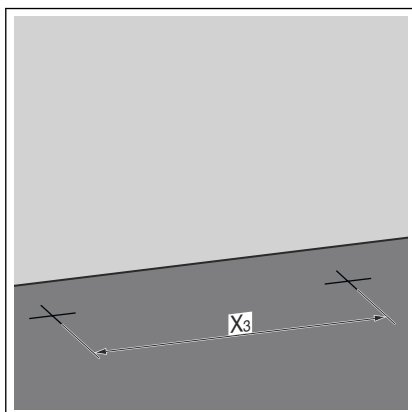
3.2 Assembly

3.2.1 Mounting to a masonry wall

Mounting without WC element

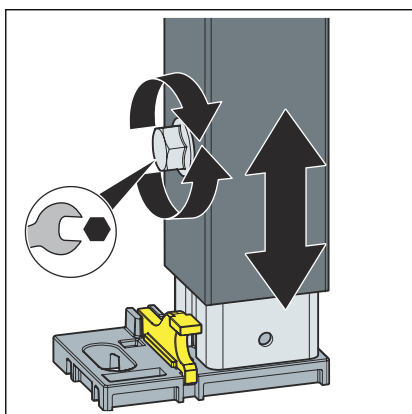


- Determine and mark the fixing points.
 - X2: 310 mm
- Drill the holes.
- Insert the dowels.

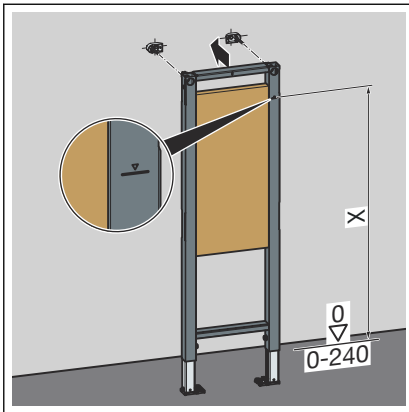


- Determine and mark the fixing points on the floor.
 - X3: 225 mm
- Drill the holes.
- Insert the dowels.

INFO! Mount the Prevista Dry fixing set pursuant to the instructions for use for the fixing set.



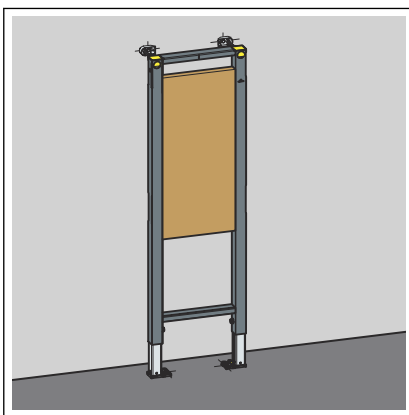
- Loosen the feet of the element using a fork spanner.



➤ Adjust the construction height of the element in accordance with the on-site marking of the upper edge of the finished floor.

■ X: 1000 mm

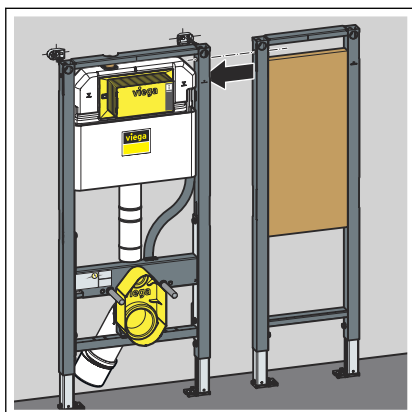
➤ Tighten the feet of the element using a fork spanner.



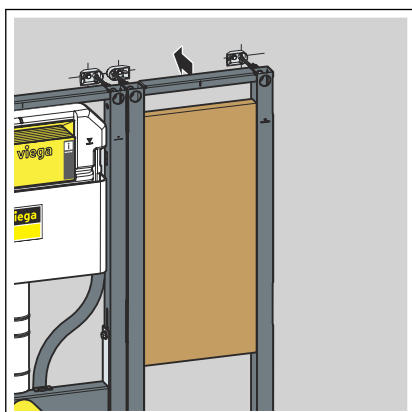
◇ The element is attached to the wall.

Mounting at the WC element

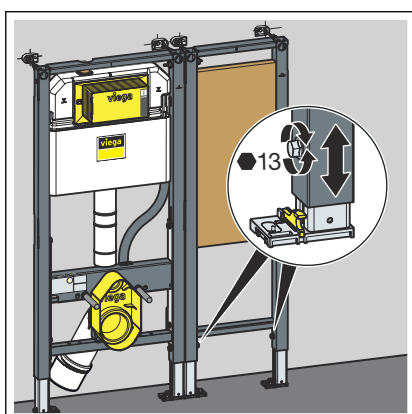
The following steps describe mounting from the right-hand side of the WC element. If required, repeat the same steps from the left-hand side.



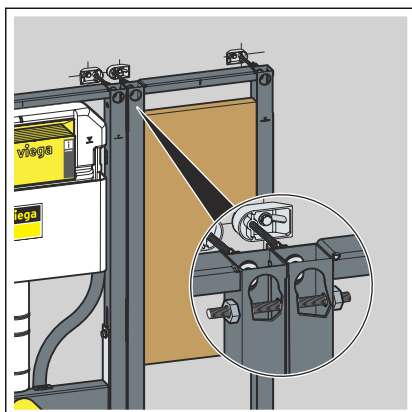
- Press the fixing element against the WC element until it reaches the stop.



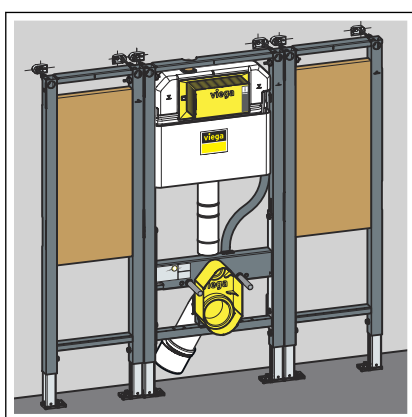
- Mount the wall fixing.



- Set the height of the element by means of the feet.
 - X: 1000 mm



- Use the fixing screw to connect the WC element and the fixing element.
- Screw in the fixing screw and tighten it.



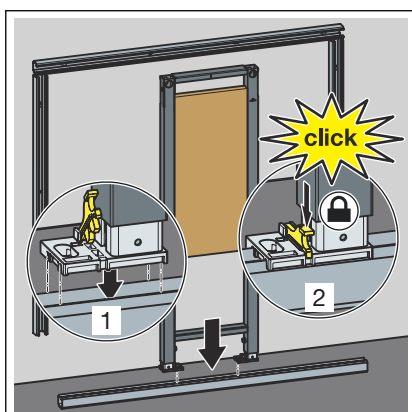
- Repeat the mounting steps on the left-hand side.

3.2.2 Mounting in Prevista Dry Plus

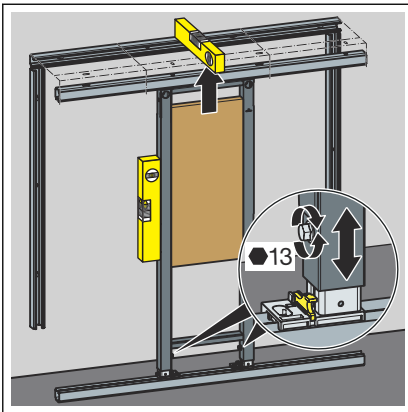


Mount the Prevista Dry Plus pre-wall construction pursuant to the instructions for use of the Prevista Dry Plus system.

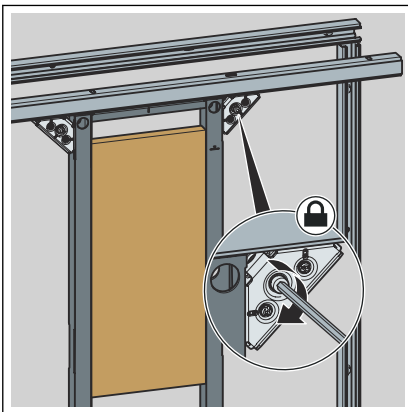
Mounting without WC element



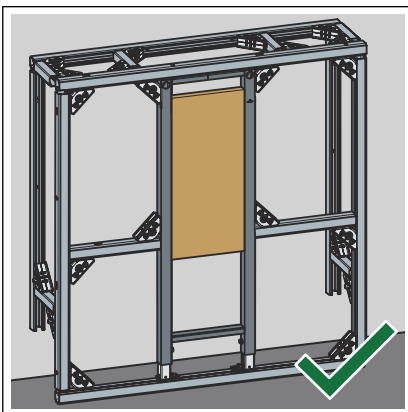
- Position the element on the floor rail.
- Fix the feet on the floor rail using the clips.



► Set the height of the element by means of the feet.

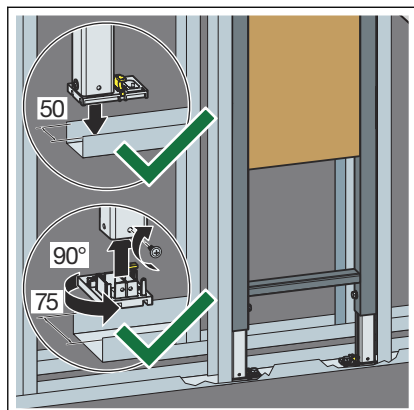


► Fix the element with the Prevista Dry Plus rail connectors.

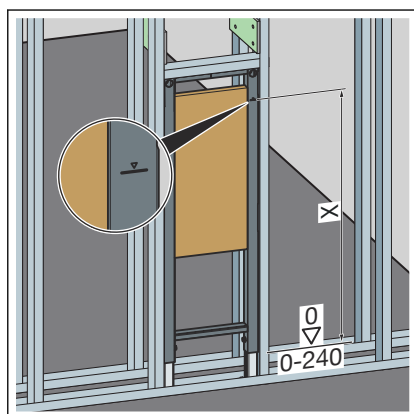


□ The element is fixed in the Prevista Dry Plus pre-wall construction.

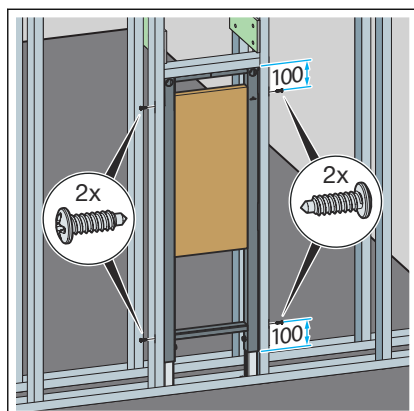
3.2.3 Mounting in steel stud frame



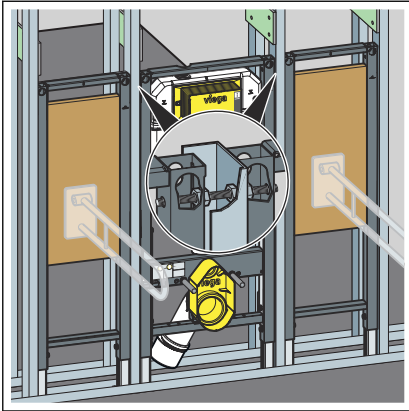
- Position the element on the floor rail.
- If necessary, adjust the foot depth from 50 mm (pre-mounted) to 75 mm.
- Pull the foot out and turn by 90°.
- Fix the feet.



- Adjust the construction height of the element in accordance with the on-site marking of the upper edge of the finished floor.
 - X: 1000 mm



- Attach the element to the stud frame using the screws supplied.



- If applicable, connect further elements to the element via the stud frame.

3.3 Disposal

Separate the product and packaging materials (e. g. paper, metal, plastic or non-ferrous metals) and dispose of in accordance with valid national legal requirements.



Viega GmbH & Co. KG
service-technik@viega.de
viega.com

INT • 2023-01 • VPN210832

