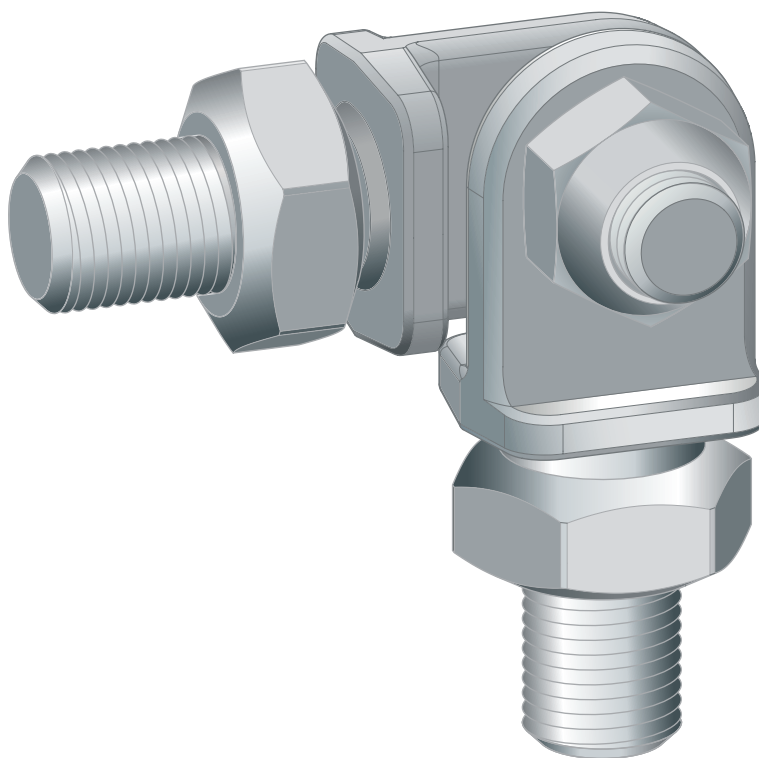


Instructions for Use

Prevista Dry Plus mounting joint



for continuous angle setting from 0–180°, fixing of mounting rails
to roof slope

Model
8411

Year built (from)
04/2004

viega

Table of contents

1	About these instructions for use	3
	1.1 Target groups	3
	1.2 Labelling of notes	3
	1.3 About this translated version	4
2	Product information	5
	2.1 Intended use	5
	2.1.1 Areas of application	5
3	Handling	6
	3.1 Assembly information	6
	3.1.1 Required tools	6
	3.2 Assembly	6
	3.3 Disposal	6

1 About these instructions for use

Trade mark rights exist for this document; for further information, go to viega.com/legal.

1.1 Target groups

The information in this instruction manual is directed at the following groups of people:

- Heating and plumbing experts and trained personnel

Individuals without the abovementioned training or qualification are not permitted to mount, install and, if required, maintain this product. This restriction does not extend to possible operating instructions.

The installation of Viega products must take place in accordance with the general rules of engineering and the Viega instructions for use.

1.2 Labelling of notes

Warning and advisory texts are set aside from the remainder of the text and are labelled with the relevant pictographs.



DANGER!

This symbol warns of possible life-threatening injury.



WARNING!

This symbol warns of possible serious injury.



CAUTION!

This symbol warns of possible injury.



NOTICE!

This symbol warns of possible damage to property.



This symbol gives additional information and hints.

1.3 About this translated version

This instruction for use contains important information about the choice of product or system, assembly and commissioning as well as intended use and, if required, maintenance measures. The information about the products, their properties and application technology are based on the current standards in Europe (e.g. EN) and/or in Germany (e.g. DIN/DVGW).

Some passages in the text may refer to technical codes in Europe/Germany. These should serve as recommendations in the absence of corresponding national regulations. The relevant national laws, standards, regulations, directives and other technical provisions take priority over the German/European directives specified in this manual: The information herein is not binding for other countries and regions; as said above, they should be understood as a recommendation.

2 Product information

2.1 Intended use

2.1.1 Areas of application

The mounting joint is intended for the connection of two Pre-vista Dry Plus rail connectors (model 8410) for the fixing of a mounting rail to a roof slope.

3 Handling

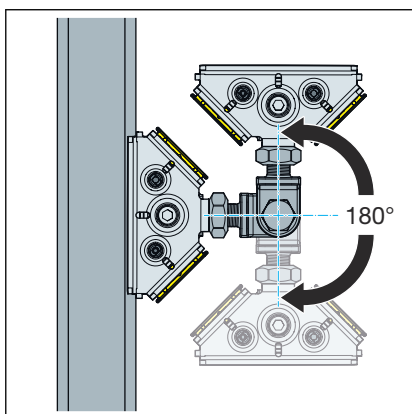
3.1 Assembly information

3.1.1 Required tools

The following tools are required for mounting:

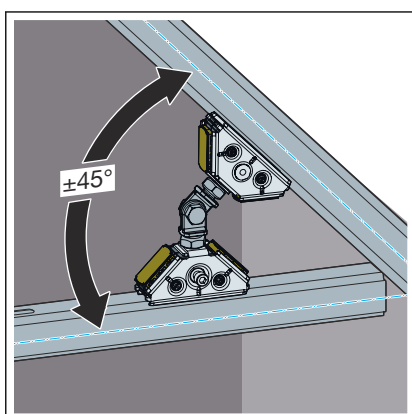
- Allen key: 5 mm

3.2 Assembly



INFO! The yellow blocking elements are factory-fitted onto the short side of the rail connector. The blocking elements prevent the mounting rail being pressed together at the fixing point when the screw is tightened. If the long side of the rail connector is to be mounted onto the open side of the rail, place a blocking element from the short side onto the long side.

- Screw the mounting joint into a rail connector on both sides and tighten with a fork spanner (size 17).
- Place a rail connector onto the rail.
 - The rail connector audibly engages.



- Place the second rail connector on the other rail.
- Make sure that the rail connectors are in the correct position.
- Tighten the rail connectors with an Allen key.
- Tighten the joint with a fork spanner (size 17).

3.3 Disposal

Separate the product and packaging materials (e. g. paper, metal, plastic or non-ferrous metals) and dispose of in accordance with valid national legal requirements.



Viega GmbH & Co. KG
service-technik@viega.de
viega.com

INT • 2022-08 • VPN220008

