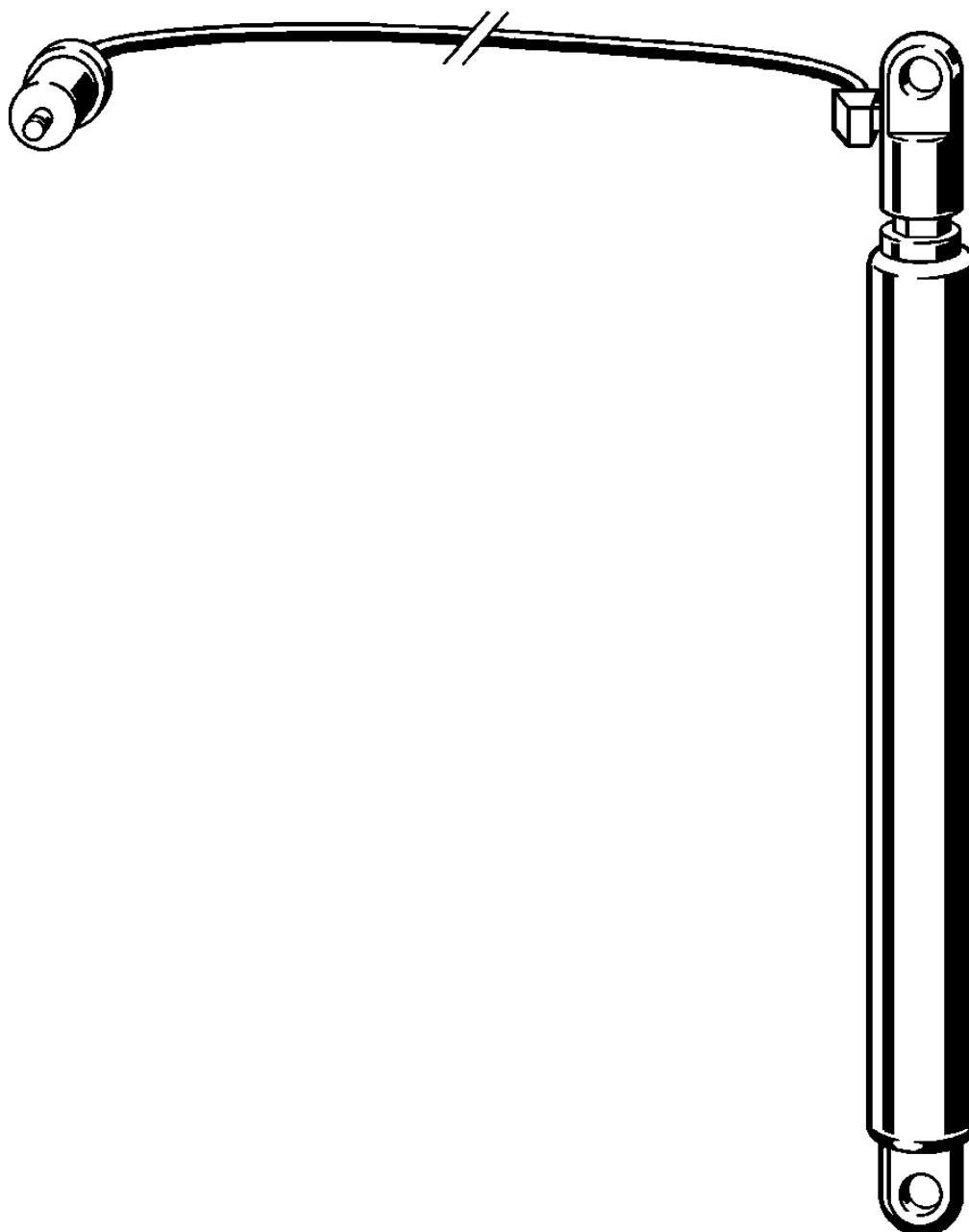


Instructions for Use

Viega Gas Pressure Spring



only in connection with Viega Eco Plus washbasin element
model 8164.21

Model
8172.1

Year built (from)
10/2015

viega

Table of contents

1	About these instructions for use	3
1.1	Target groups	3
1.2	Labelling of notes	3
1.3	About this translated version	4
2	Product information	5
2.1	Intended use	5
2.1.1	Areas of use	5
3	Handling	6
3.1	Assembly information	6
3.1.1	Required tools	6
3.2	Assembly	6
3.2.1	Replace gas pressure spring	6
3.2.2	Preparing gas pressure spring for disposal	10
3.3	Disposal	12

1 About these instructions for use

Trade mark rights exist for this document, further information can be found at viega.com/legal.

1.1 Target groups

The information in this instruction manual is directed at the following groups of people:

- heating and sanitary professionals and trained personnel

It is not permitted for individuals without the abovementioned training or qualification to mount, install and, if required, service this product. This restriction does not extend to possible operating instructions.

The installation of Viega products must take place in accordance with the general rules of engineering and the Viega instructions for use.

1.2 Labelling of notes

Warning and advisory texts are set aside from the remainder of the text and are labelled with the relevant pictographs.



DANGER!

This symbol warns against possible life-threatening injury.



WARNING!

This symbol warns against possible serious injury.



CAUTION!

This symbol warns against possible injury.



NOTICE!

This symbol warns against possible damage to property.



Notes give you additional helpful tips.

1.3 About this translated version

This instruction for use contains important information about the choice of product or system, assembly and commissioning as well as intended use and, if required, maintenance measures. The information about the products, their properties and application technology are based on the current standards in Europe (e. g. EN) and/or in Germany (e. g. DIN/DVGW).

Some passages in the text may refer to technical codes in Europe/Germany. These should serve as recommendations in the absence of corresponding national regulations. The pertinent national laws, standards, regulations and guidelines, as well as other technical guidelines, have priority over German/European guidelines in this manual: The information is not binding for other countries and territories and should, as mentioned, be considered as support.

2 Product information

2.1 Intended use

2.1.1 Areas of use

The gas pressure spring is exclusively suitable for the height-adjustable Viega Eco Plus WB element (model 8164.21). The gas pressure spring with hydraulic actuation is used to lift and lower the washbasin ceramic.

3 Handling

3.1 Assembly information

3.1.1 Required tools

The following tools are required for mounting:

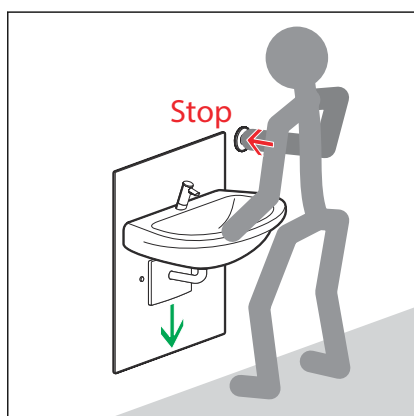
- fork spanner 19 mm
- Allen key: 5 mm
- For disposal preparation: drill with 2 or 3 mm drill bit

3.2 Assembly

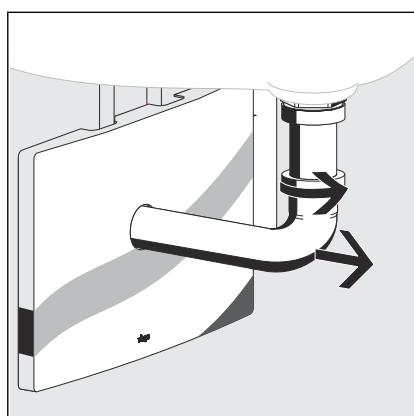
3.2.1 Replace gas pressure spring

The model replaces the built-in gas pressure spring in the case of a defect.

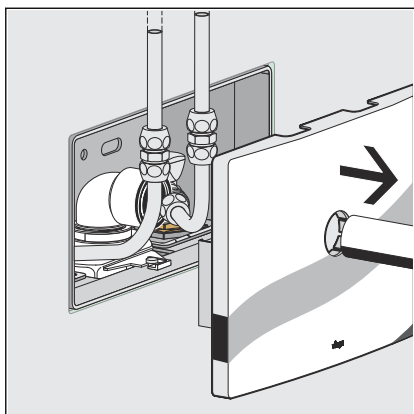
Proceed as follows:



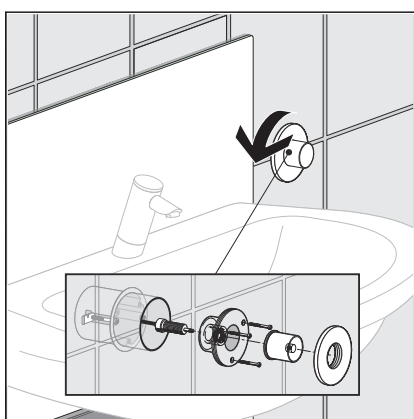
- Unlock the ceramic washbasin and lock it again in the lowest position.



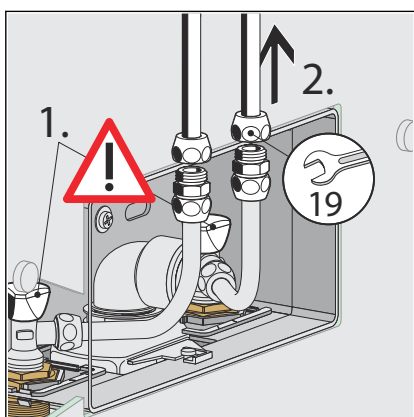
- Disassemble the drain elbow from the ceramic washbasin.



- Disassemble the cover plate of the concealed connection box and drain elbow from the odour trap.

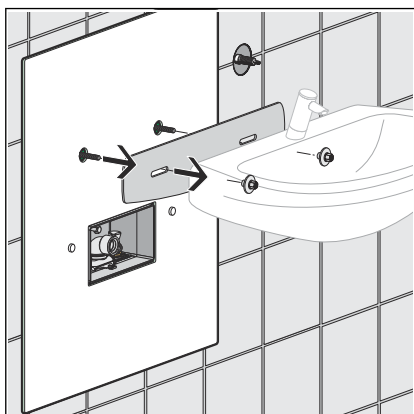


- The actuation unit is to be disassembled as follows:
 - Turn the rosette.
 - Turn the actuation button of the hydraulic cylinder.
 - Loosen the screws of the sleeve.
 - Turn the sleeve off the hydraulic cylinder.

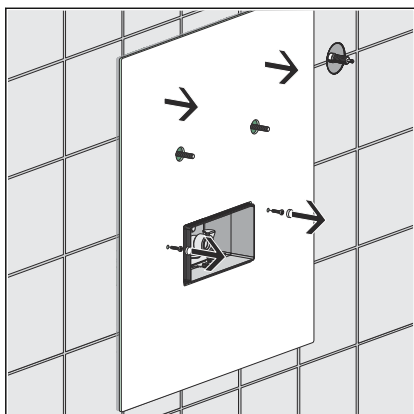


- Close the corner valves in the concealed connection box and then loosen the compression fitting (SW 19).

NOTICE! Possible water leak! Close corner valves.

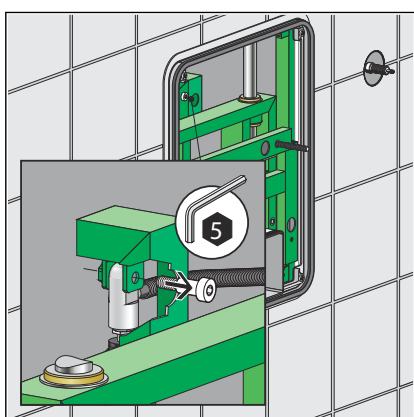


- Disassemble the ceramic washbasin and sound insulation panel.

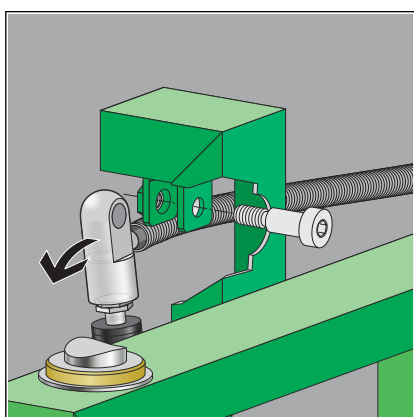


CAUTION! Risk of injury – The cover plate is fragile. Remove carefully.

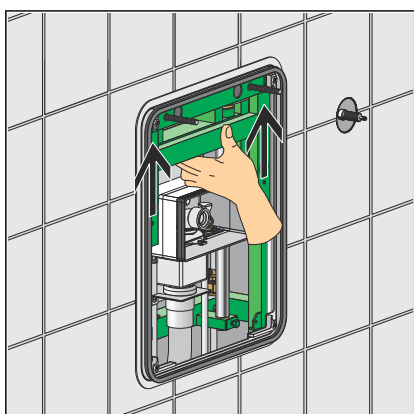
- Disassemble the caps and screws of the cover plate and take the cover plate out of the element.



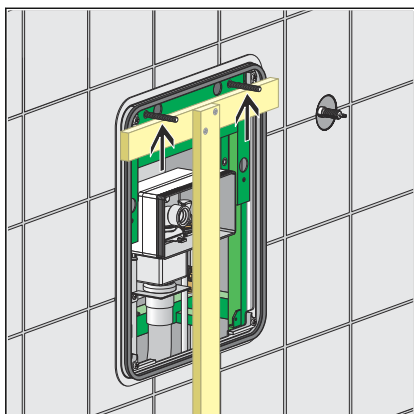
- Loosen and remove Allen screw (5 mm) on the head of the gas pressure spring.



- Pivot the gas pressure spring sideways.

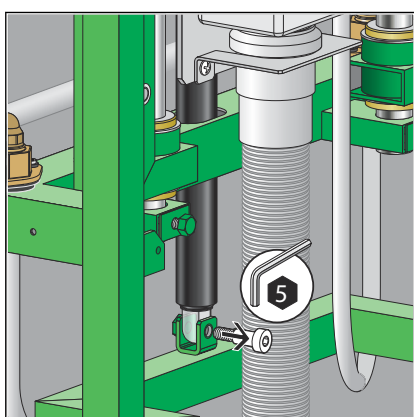


- Push the bracket into the top position.

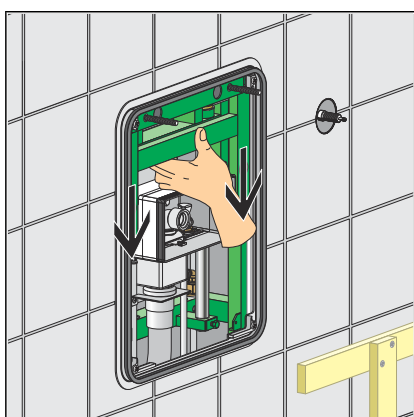


- Place a support below the threaded bolts of the washbasin fixing material on-site to ensure that the bracket does not fall into the lowest position.

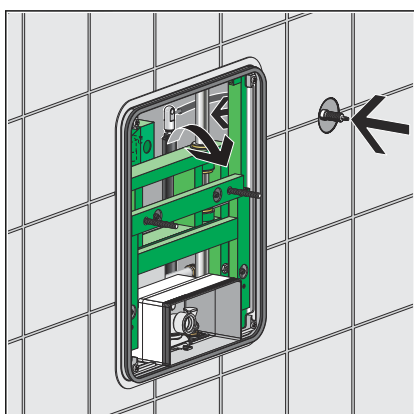
CAUTION! Risk of crushing! If the bracket is not secure, it may fall down.



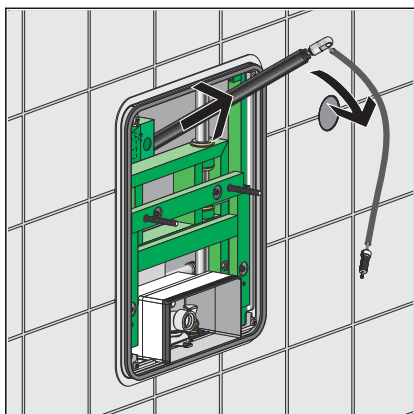
- Loosen the lower Allen screw (5 mm) of the gas pressure spring and disassemble by pushing the flexible drain elbow to the side.



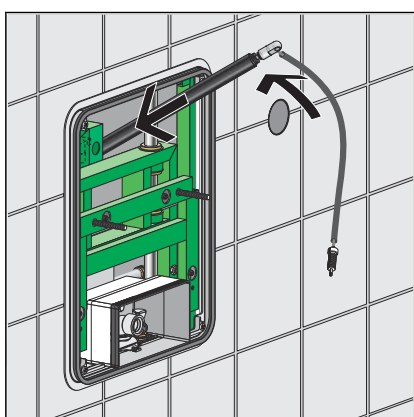
- Remove on-site support and lower the bracket slowly by hand.



- Lift the gas pressure spring in the front wall upwards out of the guide.



➤ Remove gas pressure spring from the front wall.



➤ Insert a new gas pressure spring and reassemble all components.

3.2.2 Preparing gas pressure spring for disposal



WARNING! **Risk of injury due to high pressure**

The gas pressure is highly pressurised. There is a risk of injury due to flying metal fragments and oil, if disposal is not carried out properly. Observe following safety measures implicitly for proper draining.

Before disassembling:

- No person in the extended axis of the device. The piston rod cannot hit anyone in the case of an error.
- Do not remove the ends.
- Under no circumstances use a lathe.
- Put on eye / face and clothing protection.

In case of doubt, please contact your Viega Service Center.



The gas itself is harmless.

Draining gas and oil

The container needs to be drilled at two points to enable the disposal of the gas pressure spring without pressure and without oil. The drilling points X1 and X2 vary depending on the diameter of piston rod and cylinder.

Diameter (mm) piston rod / cylinder	X1 (mm)	X2 (mm)
8/19; 8/22; 10/22	20	30
8/28; 10/28; 14/28	40	35
10/40; 14/40	40	55

➤ Open up gas pressure spring.

DANGER! Protect eyes, face and body and cover drill hole before drilling.

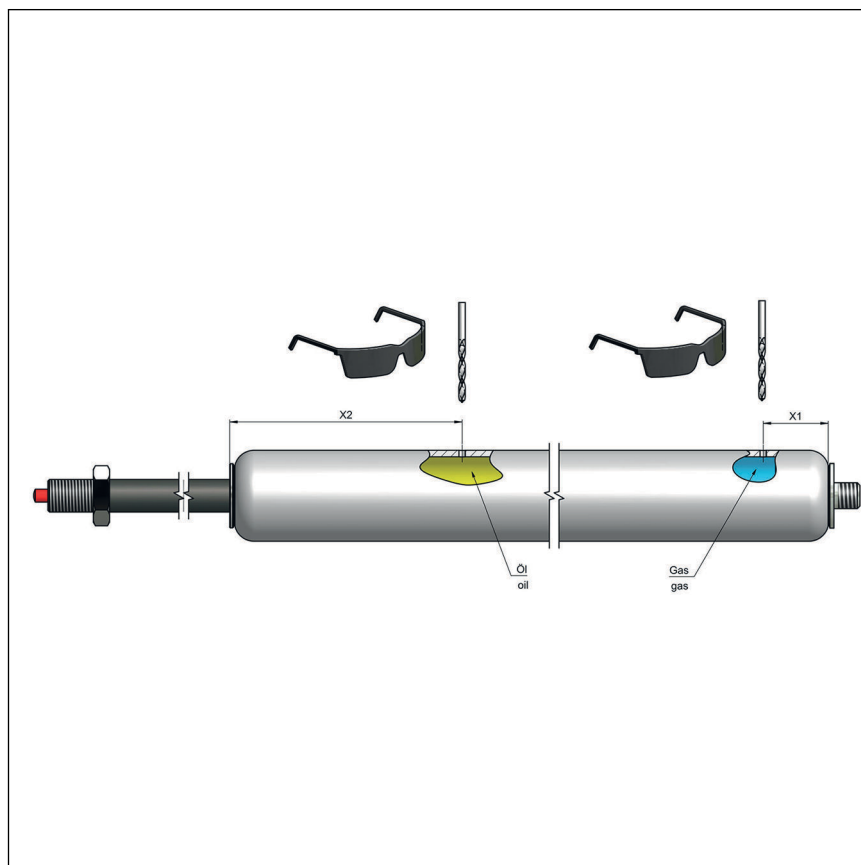


Fig. 1: draining gas and oil

- Using a 2–3 mm drill, drill slowly at point X1 until gas escapes.
 - ⊐ Due to the high internal pressure, metal fragments and oil can squirt out.
- Using a 2–3 mm drill, drill slowly at point X2 until pressure drops and oil becomes accessible.
- Pour out the oil into a suitable container.

- Now, the piston rod can be easily moved by hand. If not, repeat procedure.
- ▶ Saw through the metal cylinder, if necessary.
- Disposal of the individual components can now take place.

3.3 Disposal

Separate the product and packaging materials (e. g. paper, metal, plastic or non-ferrous metals) and dispose of in accordance with valid national legal requirements.



Viega GmbH & Co. KG
service-technik@viega.de
viega.com

INT • 2022-08 • VPN150209

