

Instructions for Use

Odour trap



for wall installation, wastewater hose from washing machine or dishwasher

Model
5635.3

viega

Table of contents

1	About these instructions for use	3
	1.1 Target groups	3
	1.2 Labelling of notes	3
	1.3 About this translated version	4
2	Product information	5
	2.1 Intended use	5
	2.1.1 Areas of application	5
	2.2 Product description	6
	2.2.1 Overview	6
	2.2.2 Technical data	6
3	Handling	7
	3.1 Assembly information	7
	3.1.1 Installation dimensions	7
	3.2 Assembly	8
	3.2.1 Mounting the odour trap	8
	3.3 Care	11
	3.4 Disposal	12

1 About these instructions for use

Trade mark rights exist for this document; for further information, go to viega.com/legal.

1.1 Target groups

The information in this instruction manual is directed at the following groups of people:

- Heating and plumbing experts and trained personnel
- Consumers

Individuals without the abovementioned training or qualification are not permitted to mount, install and, if required, maintain this product. This restriction does not extend to possible operating instructions.

The installation of Viega products must take place in accordance with the general rules of engineering and the Viega instructions for use.

1.2 Labelling of notes

Warning and advisory texts are set aside from the remainder of the text and are labelled with the relevant pictographs.



DANGER!

This symbol warns of possible life-threatening injury.



WARNING!

This symbol warns of possible serious injury.



CAUTION!

This symbol warns of possible injury.



NOTICE!

This symbol warns of possible damage to property.



This symbol gives additional information and hints.

1.3 About this translated version

This instruction for use contains important information about the choice of product or system, assembly and commissioning as well as intended use and, if required, maintenance measures. The information about the products, their properties and application technology are based on the current standards in Europe (e.g. EN) and/or in Germany (e.g. DIN/DVGW).

Some passages in the text may refer to technical codes in Europe/Germany. These should serve as recommendations in the absence of corresponding national regulations. The relevant national laws, standards, regulations, directives and other technical provisions take priority over the German/European directives specified in this manual: The information herein is not binding for other countries and regions; as said above, they should be understood as a recommendation.

2 Product information

2.1 Intended use

2.1.1 Areas of application



NOTICE!

Risk of damage due to unsuitable liquids

To avoid damaging the drain, only introduce the following liquids:

- Typical household wastewater with temperatures up to 95 °C
- The pH value must be higher than 4 but lower than 10.

The odour trap is a combined inlet and drain for connecting a washing machine or dishwasher.

2.2 Product description

2.2.1 Overview

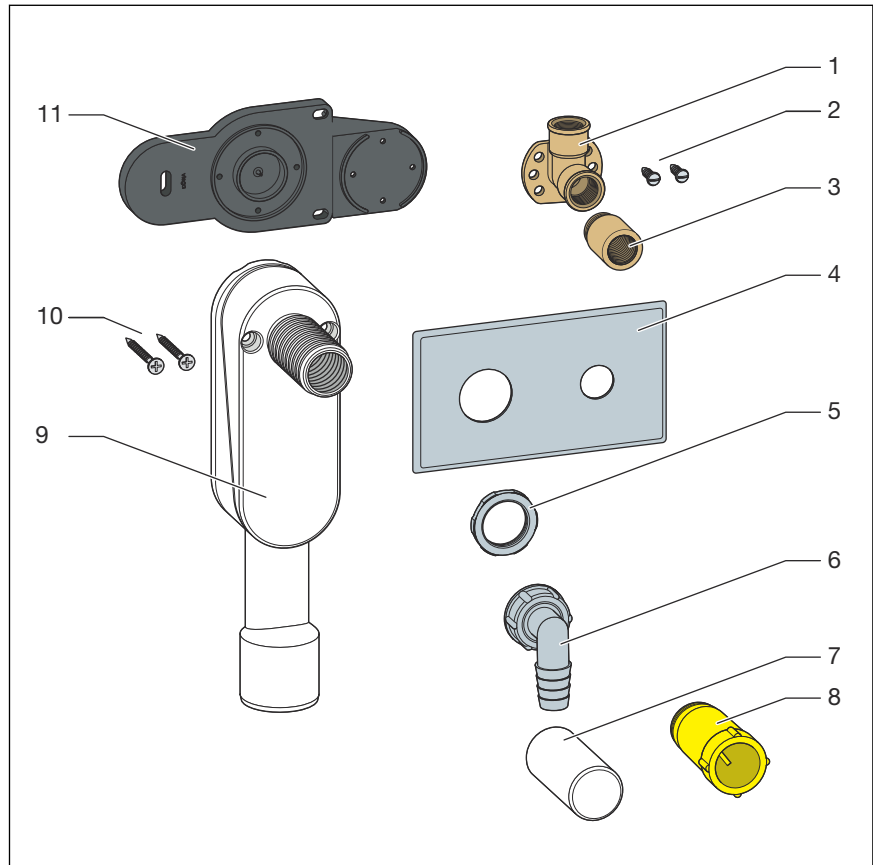


Fig. 1: Overview

- 1 wall plate
- 2 Fixing material for wall plate
- 3 Tap extension
- 4 Cover plate
- 5 Hexagonal nut
- 6 Hose screw fitting
- 7 Pressure test plug
- 8 Site protection
- 9 Concealed odour trap
- 10 Fixing material for concealed device siphon
- 11 Wall bracket

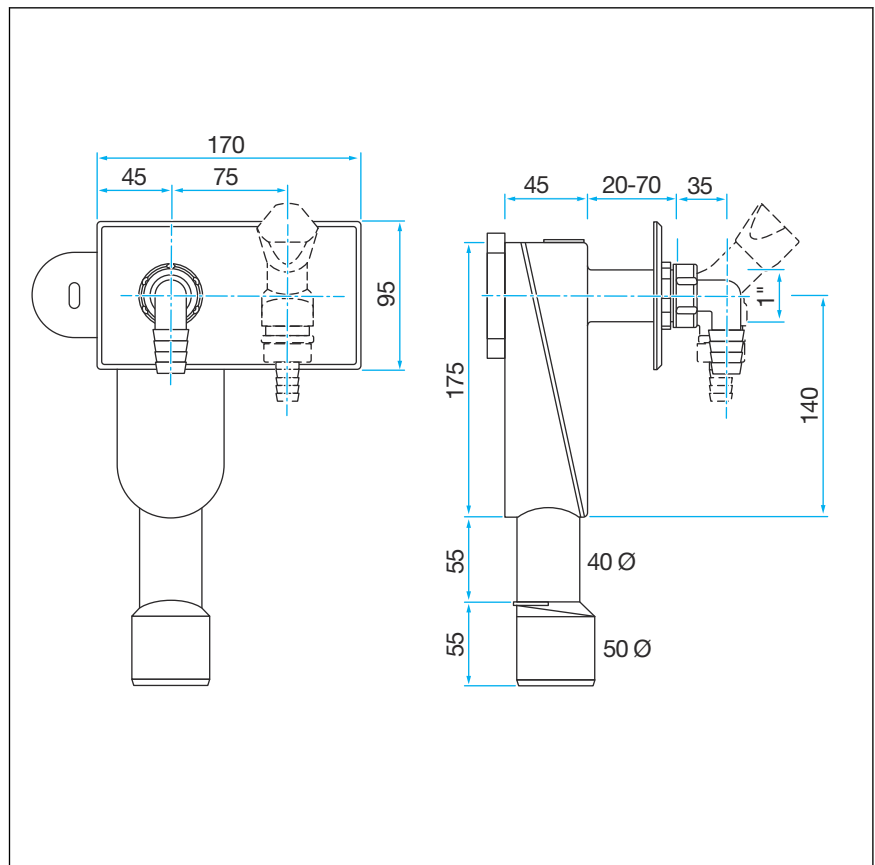
2.2.2 Technical data

DN (nominal width) outlet pipe	DN 40/50
Water seal level	50 mm

3 Handling

3.1 Assembly information

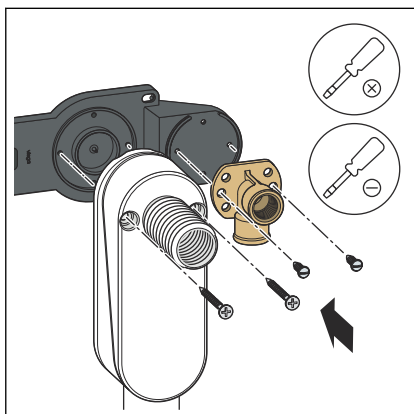
3.1.1 Installation dimensions



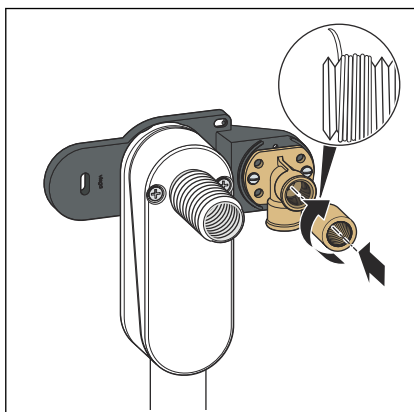
3.2 Assembly

3.2.1 Mounting the odour trap

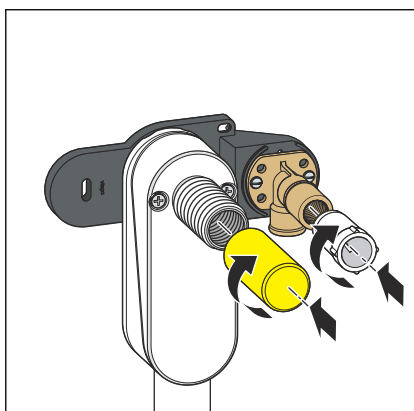
Raw installation



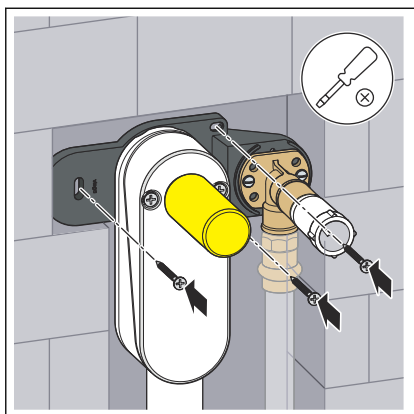
- Attach the concealed odour trap to the wall bracket.
- Attach the wall plate to the wall bracket.



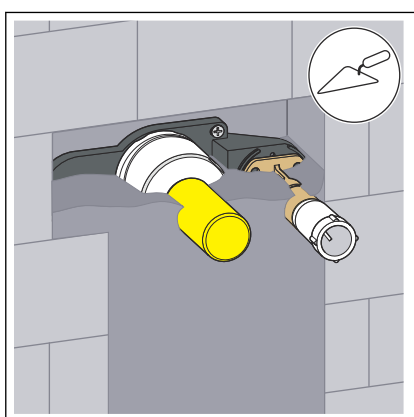
- Seal the tap extension and screw it into the wall plate.



- Mount the pressure test plug and the yellow protective cap.



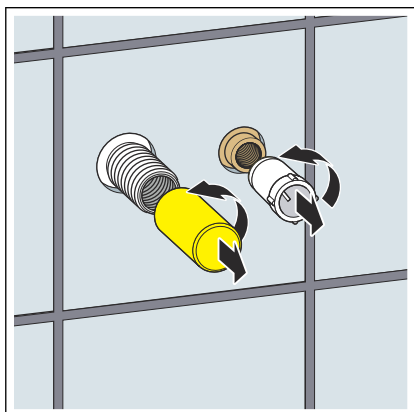
- Connect the completed mounting unit to the input and drain pipeline.
- Align and fix the mounting unit in the wall slot.



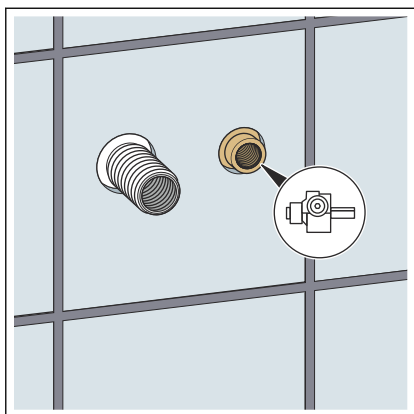
- Plaster the wall slot.

NOTICE! Protect bare pipelines and pipe connectors from external mechanical influences.

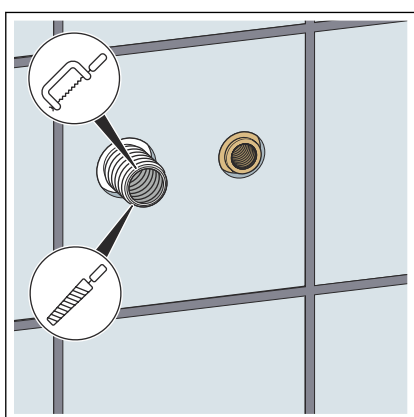
Final installation



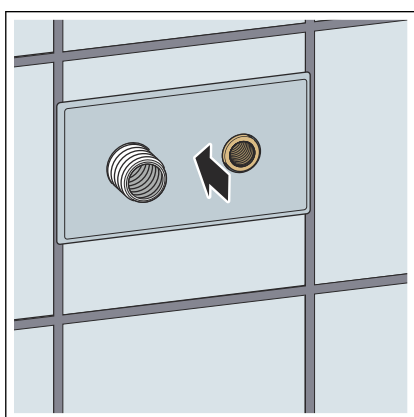
- Remove the pressure test plug and the protective cap.



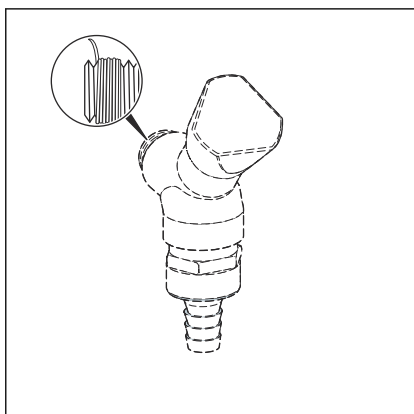
- Shorten the tap extension to 4-5 mm from the front edge of the tiled wall using the Viega countersink cutter.



- Shorten the concealed device siphon to 21-22 mm from the front edge of the tiled wall using a saw.



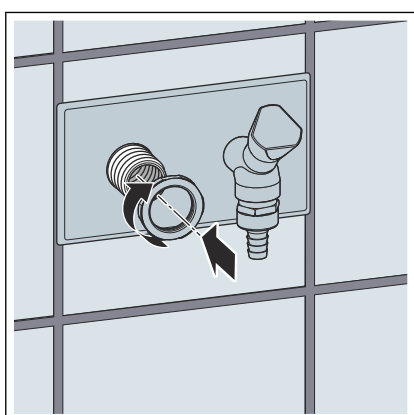
- Mount the cover plate.



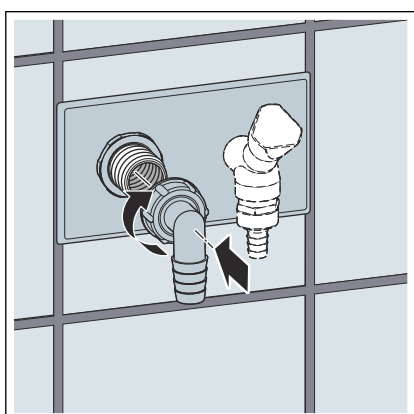
- Seal the device valve.



➤ Screw in the device valve.



➤ Screw the fixing nut onto the concealed device siphon.



➤ Mount the hose connection piece for the waste water hose.

3.3 Care



NOTICE!
Risk of damage due to unsuitable cleaning agent.

The following cleaning agents can damage chrome-plated surfaces and therefore may not be used:

- Scouring agent
- Abrasive sponges
- Lime, plaster or cement dissolver
- Solvents or other acidic cleaning agents

Use household cleaner to remove coarse soiling, also around the odour trap. Rinse the detergent thoroughly with clear water after the prescribed exposure time. There should be no residue on the components.

3.4 Disposal

Separate the product and packaging materials (e. g. paper, metal, plastic or non-ferrous metals) and dispose of in accordance with valid national legal requirements.



Viega GmbH & Co. KG
service-technik@viega.de
viega.com

INT • 2022-08 • VPN210557

