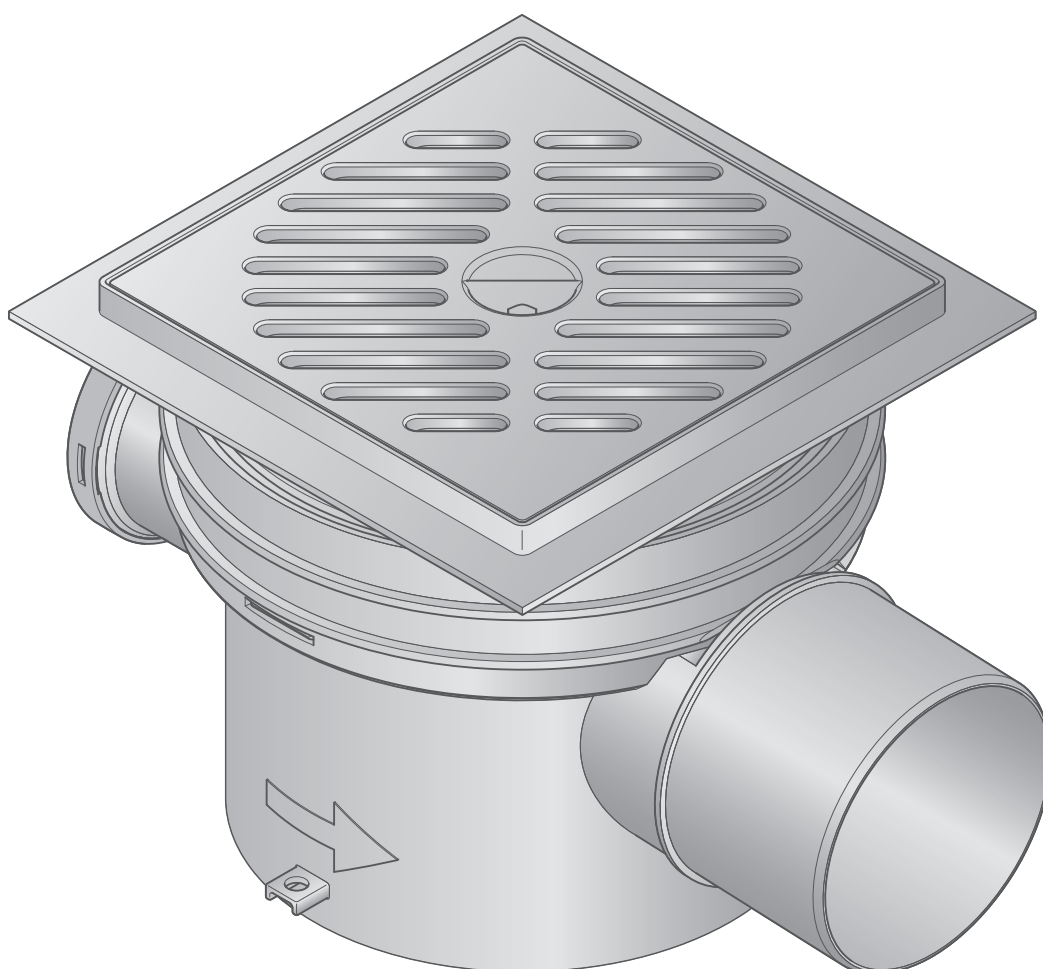


Instructions for Use

Optifix 3 cellar drain Type 5



3-way backflow protection (two automatic and one manual emergency shut-off)

Model
4989

viega

Table of contents

| | | |
|----------|---|-----------|
| 1 | About these instructions for use | 3 |
| | 1.1 Target groups | 3 |
| | 1.2 Labelling of notes | 3 |
| | 1.3 About this translated version | 4 |
| 2 | Product information | 5 |
| | 2.1 Standards and regulations | 5 |
| | 2.2 Certification | 6 |
| | 2.3 Intended use | 6 |
| | 2.3.1 Areas of use | 6 |
| | 2.3.2 Place of installation and installation conditions | 7 |
| | 2.3.3 Maintenance | 7 |
| | 2.4 Product description | 8 |
| | 2.4.1 Overview | 8 |
| | 2.4.2 Technical data | 8 |
| | 2.4.3 Operating mode | 8 |
| 3 | Handling | 10 |
| | 3.1 Assembly information | 10 |
| | 3.1.1 Installation dimensions | 10 |
| | 3.2 Assembly | 11 |
| | 3.3 Inspection | 12 |
| | 3.4 Maintenance | 13 |
| | 3.5 Disposal | 17 |

1 About these instructions for use

Trade mark rights exist for this document; for further information, go to viega.com/legal.

1.1 Target groups

The information in this instruction manual is directed at the following groups of people:

- Heating and sanitary professionals and trained personnel

Individuals without the abovementioned training or qualification are not permitted to mount, install and, if required, maintain this product. This restriction does not extend to possible operating instructions.

The installation of Viega products must take place in accordance with the general rules of engineering and the Viega instructions for use.

1.2 Labelling of notes

Warning and advisory texts are set aside from the remainder of the text and are labelled with the relevant pictographs.



DANGER!

This symbol warns of possible life-threatening injury.



WARNING!

This symbol warns of possible serious injury.



CAUTION!

This symbol warns of possible injury.



NOTICE!

This symbol warns of possible damage to property.



This symbol gives additional information and hints.

1.3 About this translated version

This instruction for use contains important information about the choice of product or system, assembly and commissioning as well as intended use and, if required, maintenance measures. The information about the products, their properties and application technology are based on the current standards in Europe (e.g. EN) and/or in Germany (e.g. DIN/DVGW).

Some passages in the text may refer to technical codes in Europe/Germany. These should serve as recommendations in the absence of corresponding national regulations. The relevant national laws, standards, regulations, directives and other technical provisions take priority over the German/European directives specified in this manual: The information herein is not binding for other countries and regions; as said above, they should be understood as a recommendation.

2 Product information

2.1 Standards and regulations


The following standards and regulations apply to Germany / Europe and are provided as a support feature.

Regulations from section: Place of installation and installation conditions

| Scope / Notice | Regulations applicable in Germany |
|--|-----------------------------------|
| Correct place of installation of the backflow trap | EN 12056 |
| Securing of drainage points beneath the backflow level | DIN EN 12056-4 |
| Securing of drainage points beneath the backflow level | DIN 1986-100 |
| Requirements in backflow traps type 3 | EN 13564 |

2.2 Certification

Data acc. to DIN EN 13564

| | |
|---|---|
| Manufacturer | Viega Holding GmbH & Co.KG |
| Manufacturer identification mark |  |
| Address | Viega Technology GmbH & Co.KG Viega Platz 1 57439 Attendorn Germany |
| Relevant standard | DIN EN 13564 |
| Load class | K3 |
| DN | 100 |
| Position of side connections | |
| Product class with respect to temperature behaviour | A |
| Drainage capacity at accumulation height 10mm | 1.45 l/s |
| Drainage capacity at accumulation height 20mm | 1.8 l/s |

2.3 Intended use

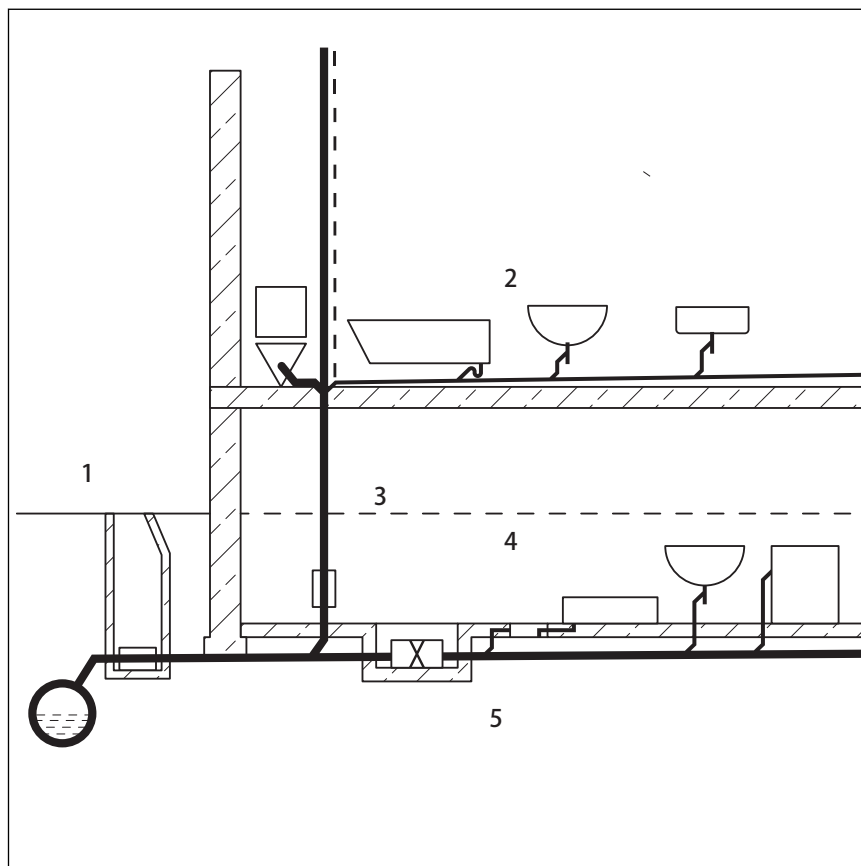
2.3.1 Areas of use

The backflow trap is suitable for faecal matter free, typical household wastewater up to a temperature of 95 °C with pH values ≥ 4 or ≤ 10 .

Use in industrial areas or in pipelines, which transport aggressive liquids is not permitted. This includes cleaning agents, which can damage sanitary equipment, drainage equipment and pipe materials.

Viega recommends closing the emergency trap if operation, where no wastewater is produced, is interrupted for a number of days.

2.3.2 Place of installation and installation conditions



- 1 Street / backflow level
- 2 Area safe from backflow
- 3 Backflow level
- 4 Area at risk of backflow
- 5 Backflow trap

The connection of the upper floor to the underground pipe must be made between the backflow trap and sewer within the building – only then is it possible to ensure that the wastewater system can function faultlessly. To ensure that drainage is guaranteed, backflow traps may not be employed as the central safeguard for a building with drainage equipment installed above the backflow level – in the event of backflow, it would lead to flooding in the building due to wastewater being unable to drain away.

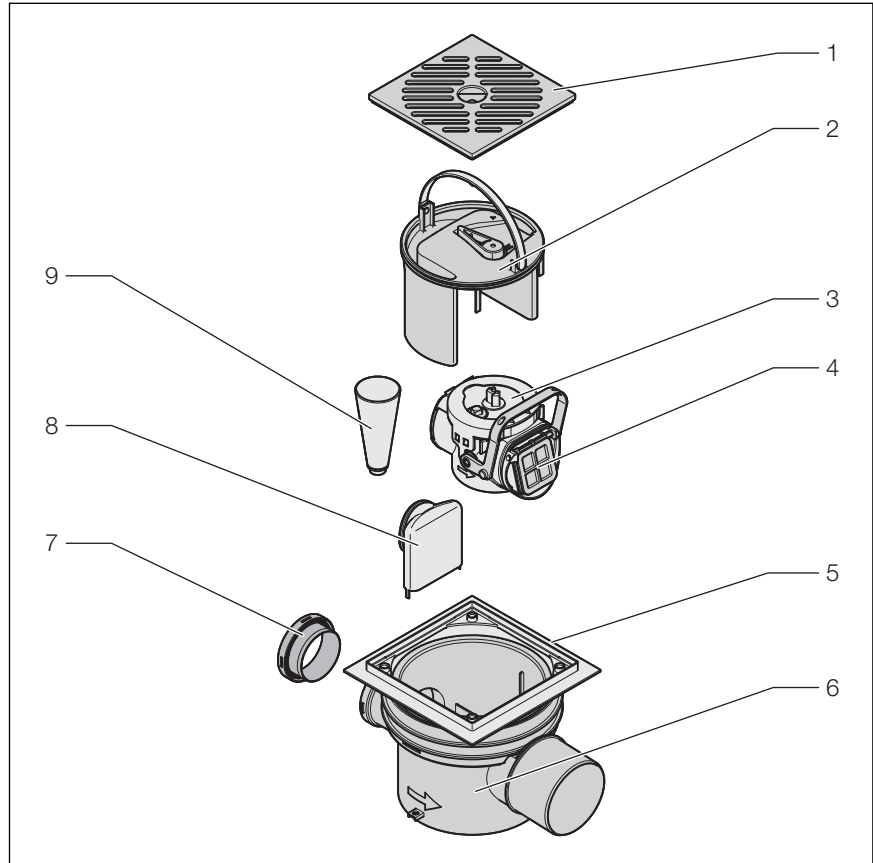
See ☞ „Regulations from section: Place of installation and installation conditions“ on page 5

2.3.3 Maintenance

Maintenance must be carried out twice a year to ensure safe operation. See ☞ Chapter 3.4 „Maintenance“ on page 13

2.4 Product description

2.4.1 Overview



- 1 Grate
- 2 Odour trap
- 3 Backflow unit
- 4 Shutter valves
- 5 Top, rotatable and height-adjustable
- 6 Base unit
- 7 Plug for side inlet
- 8 Odour trap for side inlet
- 9 Test device

2.4.2 Technical data

| | |
|--------------------------|--------------------------------------|
| Load class | K = 300 kg |
| Drainage capacity | 1.8 l/s at 20 mm accumulation height |

2.4.3 Operating mode

The shutter valves of the backflow trap are closed; they open automatically when the water drains off.

In addition, the backflow trap can be closed manually using a manual actuator.

3 Handling

3.1 Assembly information

3.1.1 Installation dimensions

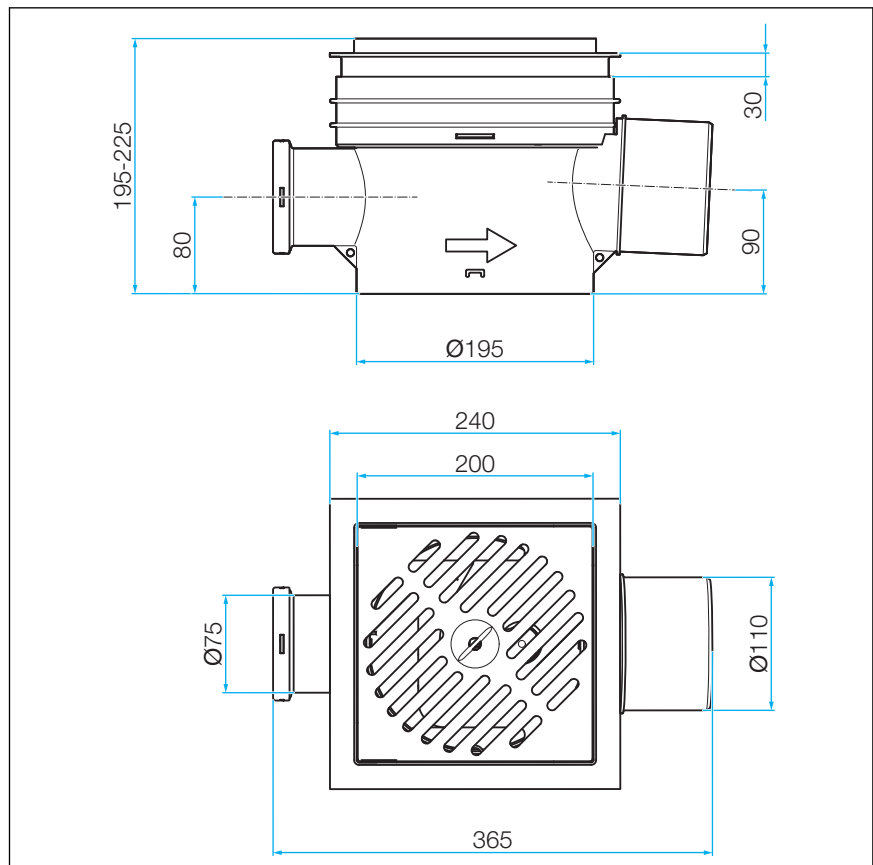
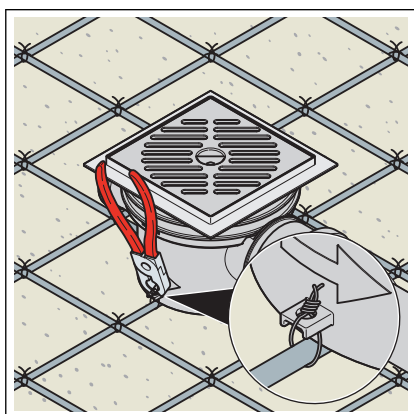


Fig. 1: Installation dimensions

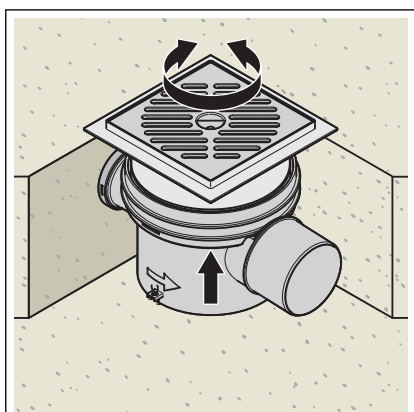
3.2 Assembly

Requirements:

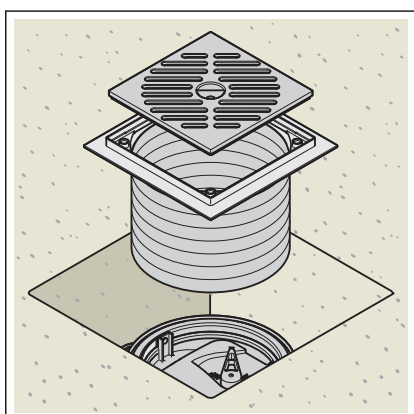
- The installation in the drainage pipeline may only be carried out by construction or specialised plumbing companies observing the building regulations and following these instructions.
- Position the drain on the floor and fasten to the reinforcement.
- Connect the drain to the wastewater pipe in the direction of flow.

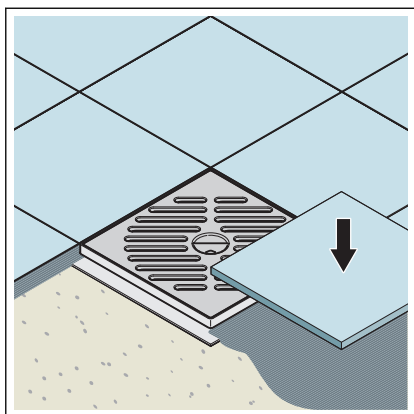


- Pull out the top and make level with the floor.



- If necessary, insert a height adjustment piece (model 4992).

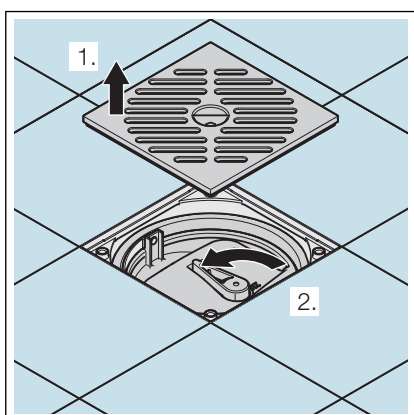




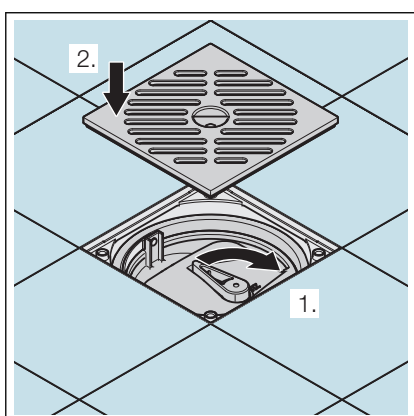
- Lay the floor covering.
- Remove the site protection.

3.3 Inspection

To ensure safe operation, a monthly inspection must be carried out by a professional, see .



- Remove the grate.
- Open the manual lock and in doing so check the mobility.



- Close the manual lock.
- Insert the grate.

3.4 Maintenance

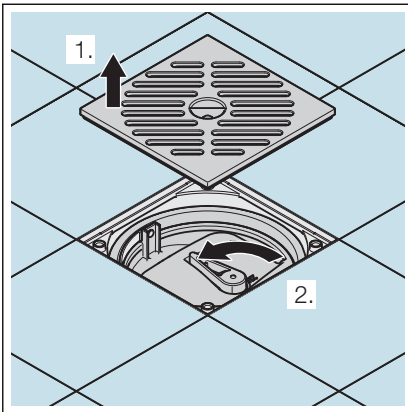


NOTICE!

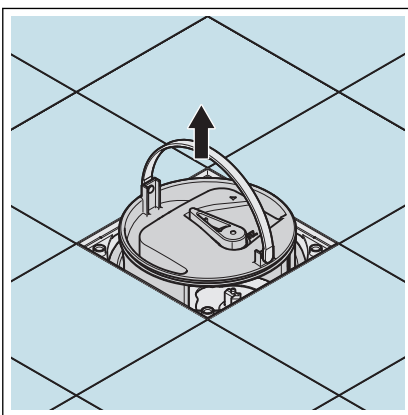
To ensure safe operation, carry out maintenance of the system twice a year.

Requirements:

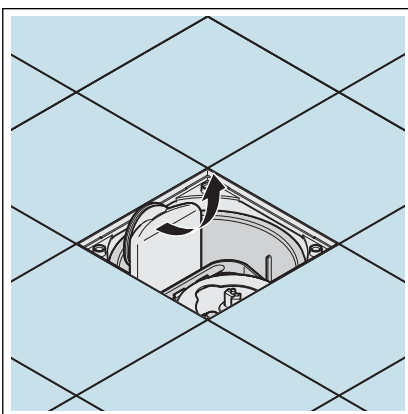
- Maintenance must be carried out by a professional.
- Only use original parts for repairs, maintenance and extensions.
- Replace defective components, do not repair.
- When using cameras and cleaning devices (cleaning spiral, high-pressure cleaner), protect the backflow trap against mechanical damage.
- Only begin maintenance work when is certain that there is no back flow situation and the drainage fittings upstream from the Backflow trap are not being used.



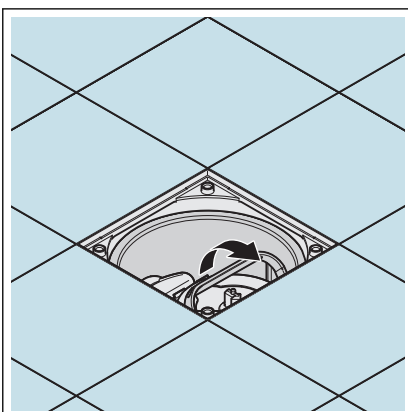
- Remove the grate.
- Open the manual lock.



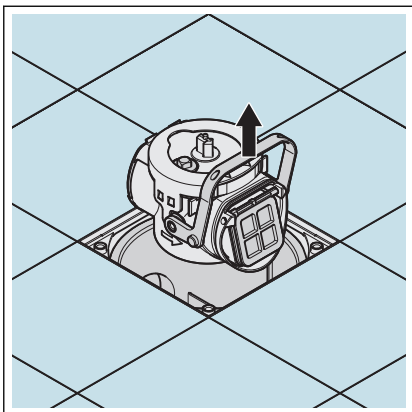
- Remove the odour trap.



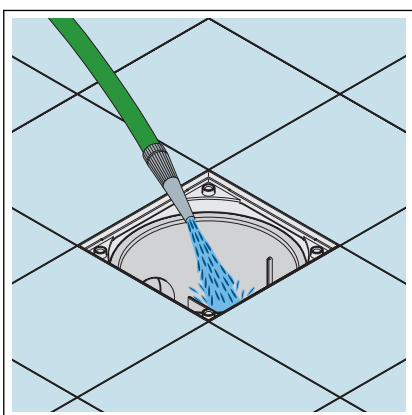
- Remove the odour trap for the side inlet.



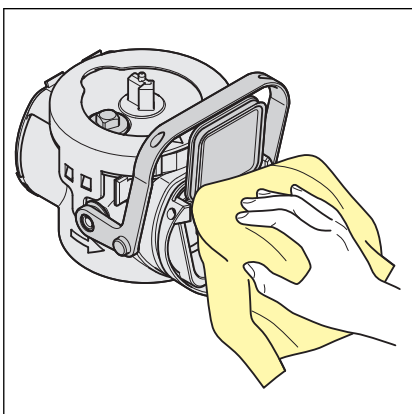
- Move the fastening lever.



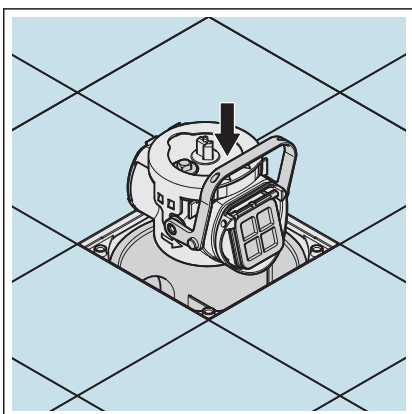
► Remove the backflow unit at the fastening lever.



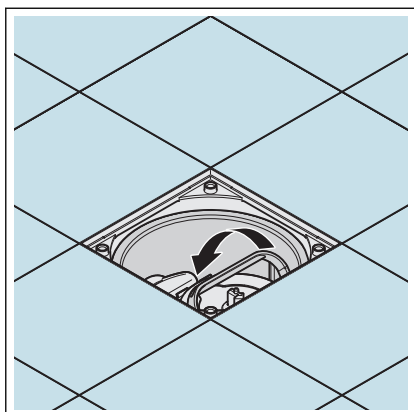
► Clean the casing.



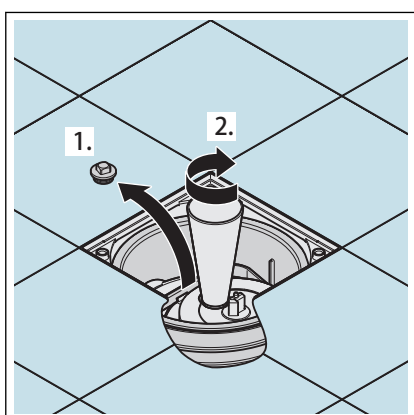
► Clean the backflow unit.



► Insert the backflow unit.



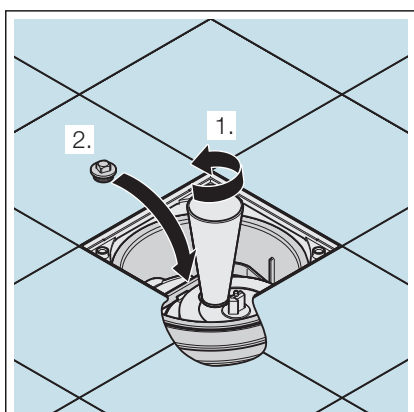
- Move the fastening lever.



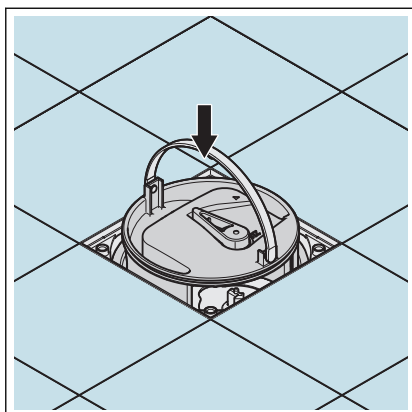
- Unscrew the screw plug.
- Screw the test device in.



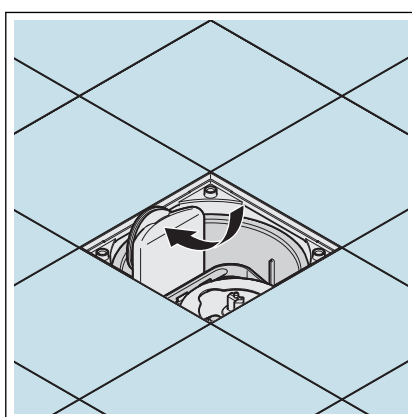
- Fill the test device with water up to the top marking.
- If you need to refill more than 0.5 l in 10 minutes, check the lock again and replace the seals if necessary.



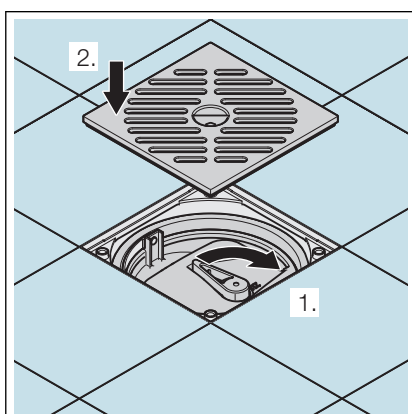
- Unscrew the test device.
- Screw the screw plug in.



➤ Insert the odour trap.



➤ Insert the odour trap for the side inlet.



➤ Close the manual lock.

➤ Insert the grate.

3.5 Disposal

Separate the product and packaging materials (e. g. paper, metal, plastic or non-ferrous metals) and dispose of in accordance with valid national legal requirements.



Viega Technology GmbH & Co. KG

service-technik@viega.de

viega.com

INT • 2020-02 • VPN190526

