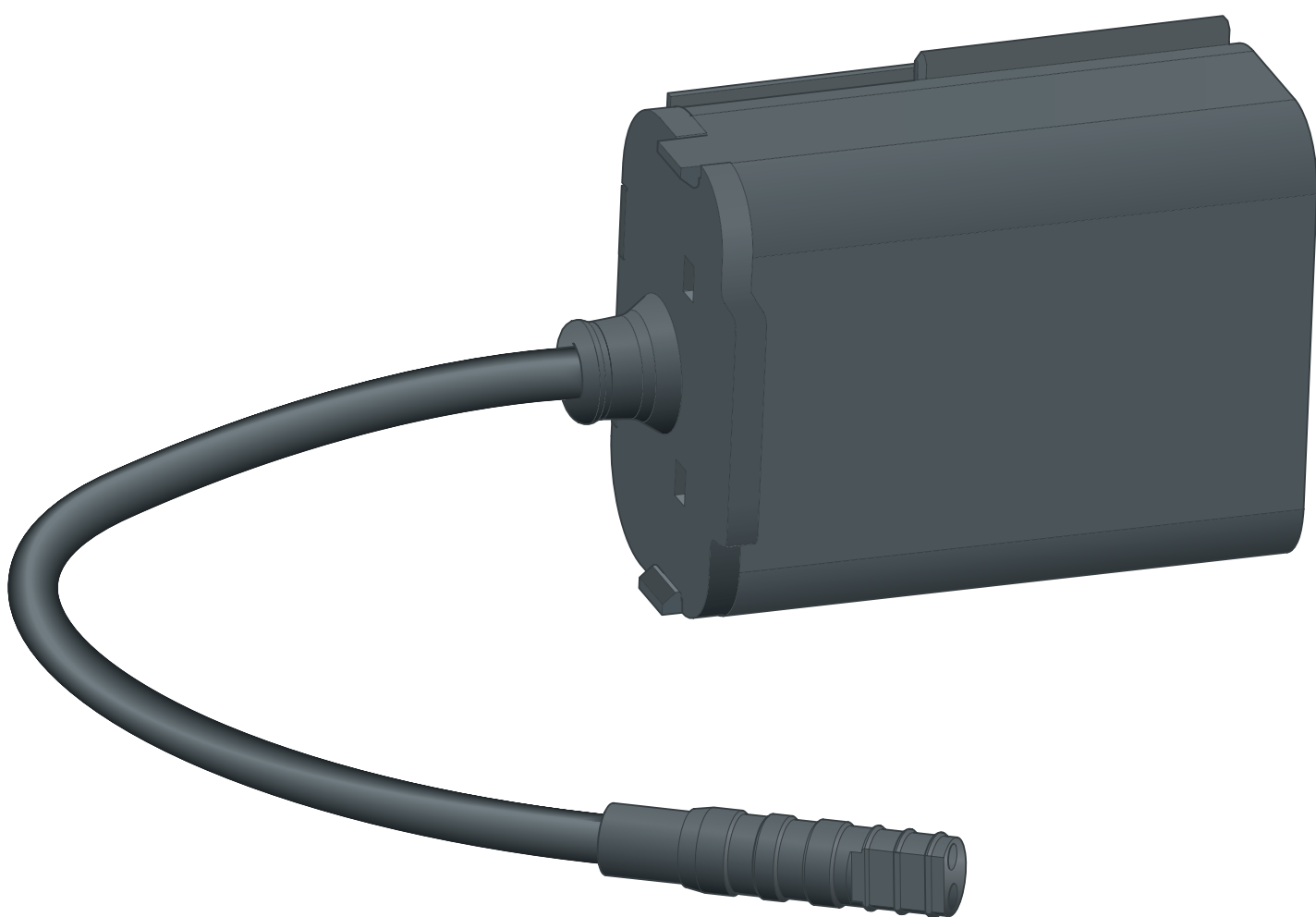


Instructions for Use

Battery compartment



for urinal flush plates for Prevista (manual and touchless flush actuation)

Model
8580.33

Year built (from)
05/2019

Table of contents

1	About these instructions for use	3
	1.1 Target groups	3
	1.2 Labelling of notes	3
	1.3 About this translated version	4
2	Product information	5
	2.1 Safety	5
	2.2 Intended use	6
	2.2.1 Areas of use	6
	2.2.2 General notes	6
	2.3 Product description	7
	2.3.1 Connection diagram	7
3	Handling	9
	3.1 Assembly	9
	3.1.1 Mounting the battery compartment	9
	3.2 Disposal	9

1 About these instructions for use

Trade mark rights exist for this document; for further information, go to viega.com/legal.

1.1 Target groups

The information in this instruction manual is directed at the following groups of people:

- Heating and sanitary professionals and trained personnel

Individuals without the abovementioned training or qualification are not permitted to mount, install and, if required, maintain this product. This restriction does not extend to possible operating instructions.

The installation of Viega products must take place in accordance with the general rules of engineering and the Viega instructions for use.

1.2 Labelling of notes

Warning and advisory texts are set aside from the remainder of the text and are labelled with the relevant pictographs.



DANGER!

This symbol warns of possible life-threatening injury.



WARNING!

This symbol warns of possible serious injury.



CAUTION!

This symbol warns of possible injury.



NOTICE!

This symbol warns of possible damage to property.



This symbol gives additional information and hints.

1.3 About this translated version

This instruction for use contains important information about the choice of product or system, assembly and commissioning as well as intended use and, if required, maintenance measures. The information about the products, their properties and application technology are based on the current standards in Europe (e.g. EN) and/or in Germany (e.g. DIN/DVGW).

Some passages in the text may refer to technical codes in Europe/Germany. These should serve as recommendations in the absence of corresponding national regulations. The relevant national laws, standards, regulations, directives and other technical provisions take priority over the German/European directives specified in this manual: The information herein is not binding for other countries and regions; as said above, they should be understood as a recommendation.

2 Product information

2.1 Safety



WARNING!
Risk of chemical burns due to leaking batteries

Battery fluid can cause chemical burns if it comes into contact with skin, eyes or mucous membranes.

Take the following steps to avoid chemical burns:

- Do not allow battery fluid to come into contact with skin, eyes or mucous membranes.
- In case of contact, rinse the affected areas with plenty of clear water and seek medical assistance without delay.



WARNING!
Risk of fire and explosion due to improper disposal

Improper disposal can lead to fire, explosion and the release of toxic chemicals.

Take the following steps:

- Do not throw the battery into a fire.
- Do not short-circuit the battery.
- Never take the battery apart.



CAUTION!
Risk of burns due to incorrect battery polarity

Incorrect battery polarity can cause burns and the release of toxic chemicals.

Take the following steps to avoid burns:

- Ensure correct polarity when inserting the batteries.
- If necessary, clean the contacts on the rechargeable battery and device before inserting.



CAUTION!
Danger due to use of incorrect battery type

Incorrect battery types can damage the electronics and lead to burns and the release of toxic chemicals.

- Only use *Varta Professional Lithium CR-P2 No.6204* batteries.

2.2 Intended use

2.2.1 Areas of use



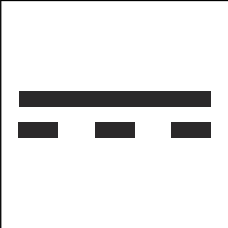
The battery compartment can be used with all electronic Prevista urinal flush plates and urinal remote flush actuations.

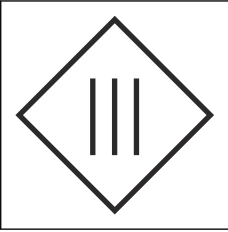
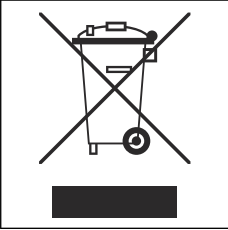
2.2.2 General notes

- If you notice any damage on the product or individual components, do not carry out a repair. Instead, have the product replaced by qualified personnel.
- This product is not intended for use by persons (including children) with restricted physical, sensory or mental aptitude or lack of experience and/or knowledge.
- Make sure that children do not play with this product.
- A disconnect device with a contact opening width that fulfils the conditions of overvoltage category III for full separation in accordance with the installation requirements must be installed at each terminal of the fixed electrical installation.

Symbols

Observe the symbol listed on the label:

Symbol	Description
	CE marking, Product Safety in Europe
	EAC marking, registration of products in the territory of the Customs Union
	Direct current

Symbol	Description
	Protection class III
	The marked product must not be disposed of as household waste.

2.3 Product description

2.3.1 Connection diagram

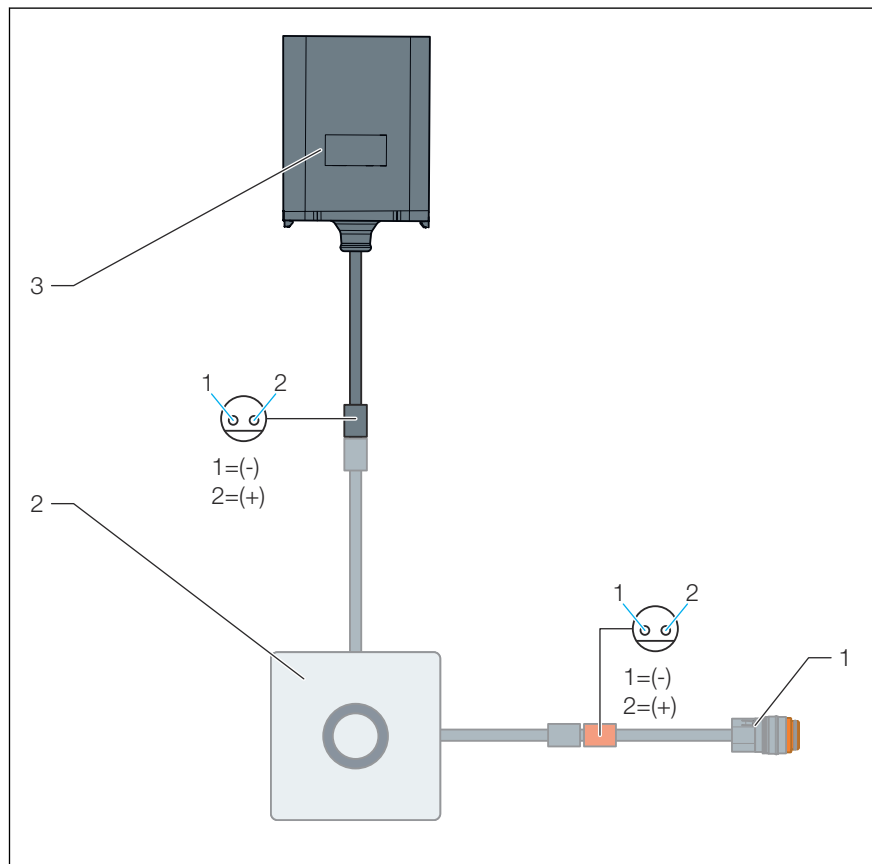


Fig. 1: Connection diagram, battery compartment, urinal flush plate for Prevista

- 1 Magnet valve
- 2 Urinal flush plate for Prevista
- 3 Battery compartment

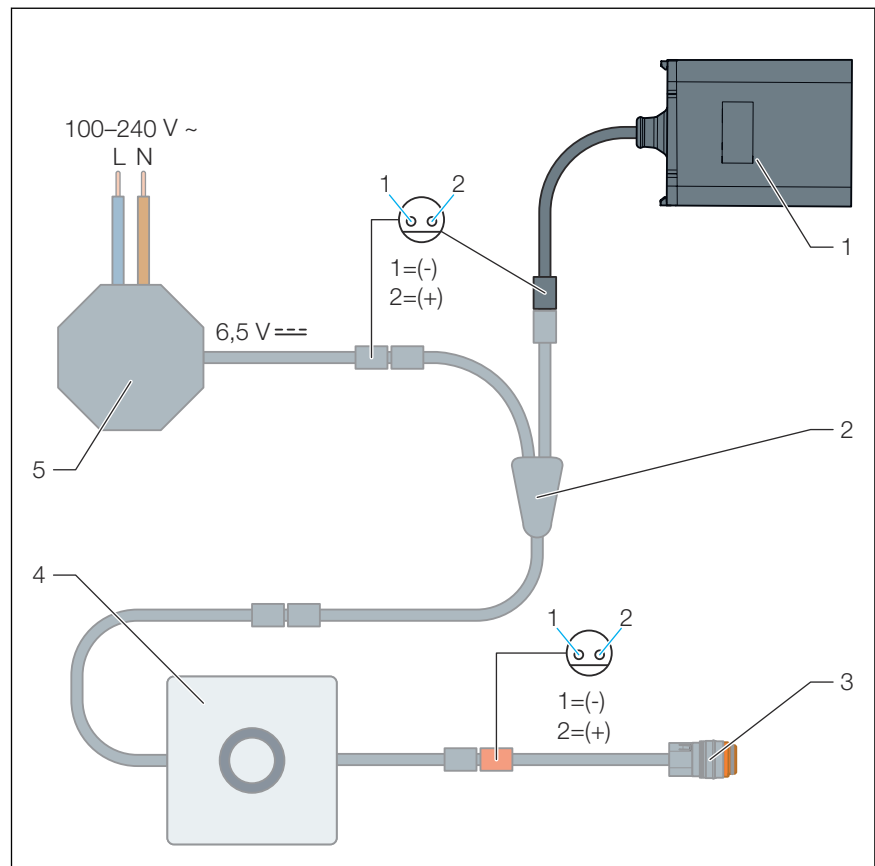


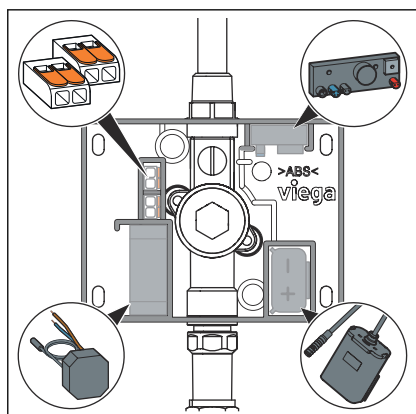
Fig. 2: Connection diagram, battery compartment, power pack, urinal flush plate for Prevista

- 1 Battery compartment
- 2 Extension cable adapter
- 3 Magnet valve
- 4 Urinal flush plate for Prevista
- 5 Power pack

3 Handling

3.1 Assembly

3.1.1 Mounting the battery compartment

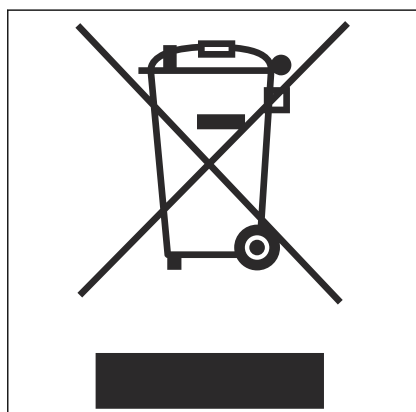


► Mount the battery compartment.

3.2 Disposal

Separate the product and packaging materials (e. g. paper, metal, plastic or non-ferrous metals) and dispose of in accordance with valid national legal requirements.

Electronic components and batteries must not be put in the domestic waste but must be disposed of appropriately in conformity with the WEEE guideline 2012/19/EU.





Viega GmbH & Co. KG
service-technik@viega.de
viega.com

INT • 2022-08 • VPN200120

