

## Instructions for Use

# Multiplex Trio drain/overflow Visign MT9



for extra-long bathtub, water level increase plus 5 cm

**Model**  
6170.12

**Year built (from)**  
01/2015

**viega**

# Table of contents

<b>1</b>	<b>About these instructions for use</b>	<b>3</b>
	1.1 Target groups	3
	1.2 Labelling of notes	3
	1.3 About this translated version	4
<b>2</b>	<b>Product information</b>	<b>5</b>
	2.1 Intended use	5
	2.1.1 Areas of use	5
	2.2 Product description	6
	2.2.1 Overview	6
	2.2.2 Technical data	7
	2.3 Accessories	7
<b>3</b>	<b>Handling</b>	<b>9</b>
	3.1 Assembly information	9
	3.1.1 Mounting conditions	9
	3.1.2 Installation dimensions	9
	3.1.3 Required tools and materials	10
	3.2 Assembly	11
	3.2.1 Mounting overflow	11
	3.2.2 Mounting the drain	13
	3.2.3 Connecting overflow and drain	14
	3.2.4 Connecting the wastewater system	15
	3.2.5 Connecting the inlet	15
	3.2.6 Mounting equipment set	17
	3.2.7 Leakage test	18
	3.3 Use	19
	3.4 Care	21
	3.5 Disposal	21

# 1 About these instructions for use

Trade mark rights exist for this document; for further information, go to [viega.com/legal](http://viega.com/legal).

## 1.1 Target groups

The information in this instruction manual is directed at the following groups of people:

- Heating and sanitary professionals and trained personnel
- Operators
- Consumers

It is not permitted for individuals without the abovementioned training or qualification to mount, install and, if required, maintain this product. This restriction does not extend to possible operating instructions.

The installation of Viega products must take place in accordance with the general rules of engineering and the Viega instructions for use.

## 1.2 Labelling of notes

Warning and advisory texts are set aside from the remainder of the text and are labelled with the relevant pictographs.



### **DANGER!**

This symbol warns against possible life-threatening injury.



### **WARNING!**

This symbol warns against possible serious injury.



### **CAUTION!**

This symbol warns against possible injury.



### **NOTICE!**

This symbol warns against possible damage to property.



Notes give you additional helpful tips.

### 1.3 About this translated version

This instruction for use contains important information about the choice of product or system, assembly and commissioning as well as intended use and, if required, maintenance measures. The information about the products, their properties and application technology are based on the current standards in Europe (e. g. EN) and/or in Germany (e. g. DIN/DVGW).

Some passages in the text may refer to technical codes in Europe/Germany. These should serve as recommendations in the absence of corresponding national regulations. The relevant national laws, standards, regulations, directives and other technical provisions take priority over the German/European directives specified in this manual: The information herein is not binding for other countries and regions; as said above, they should be understood as a recommendation.

## 2 Product information

### 2.1 Intended use

#### 2.1.1 Areas of use



#### **NOTICE!**

#### **Risk of damage due to unsuitable liquids**

To avoid damaging the drain, only introduce the following liquids:

- Typical household wastewater with temperatures up to 95 °C
- The pH value must be higher than 4 but lower than 10.

The Multiplex Trio drain/overflow is a combined inlet, drain and overflow with odour trap for bathtubs with a 52 mm drain hole. The inlet flows through the overflow opening.

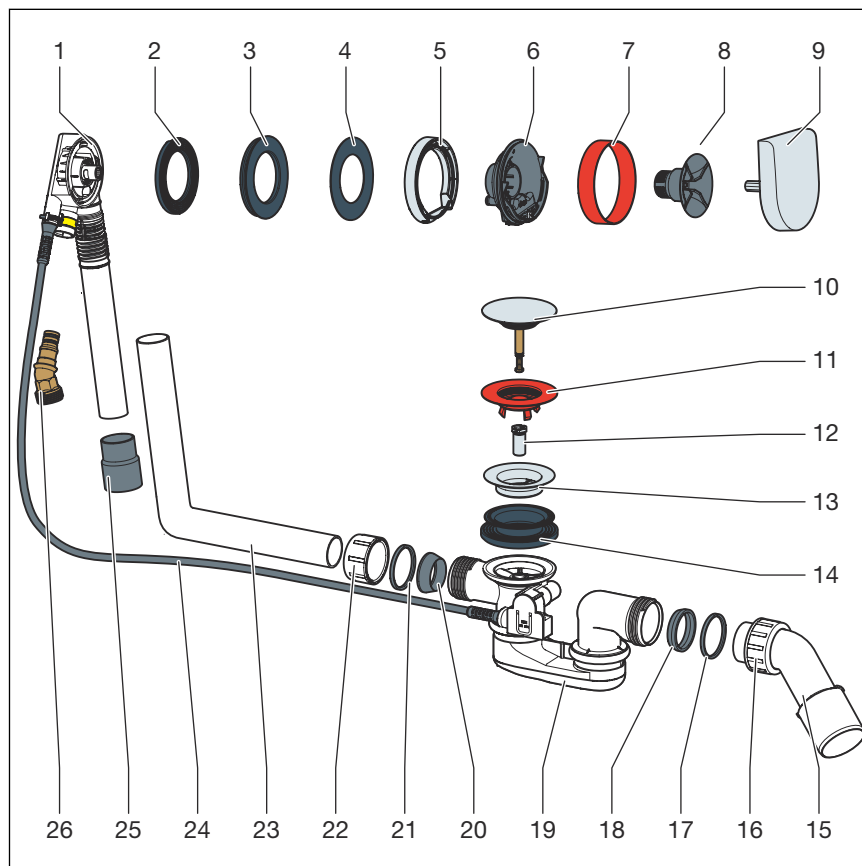
The drain/overflow is suitable for extra long bathtubs.

Detailed information regarding all bathtub models and the corresponding Viega drains / overflows can be found in the catalogue or on the Internet.

## 2.2 Product description

### 2.2.1 Overview

The following components are included in the scope of delivery of the Multiplex Trio drain / overflow:



**Fig. 1: Component overview**

- 1 overflow unit
- 2 profile seal
- 3 double seal
- 4 seal
- 5 flange cover
- 6 supply flange
- 7 Site protection
- 8 fixing screw
- 9 rotatable rosette
- 10 valve cone
- 11 site protection
- 12 fixing screw
- 13 valve top
- 14 profile seal
- 15 drain elbow
- 16 union nut
- 17 sliding ring
- 18 wedge seal
- 19 odour trap
- 20 wedge seal
- 21 sliding ring
- 22 union nut

- 23 overflow pipe
- 24 Bowden cable
- 25 sleeve
- 26 adapter

### 2.2.2 Technical data

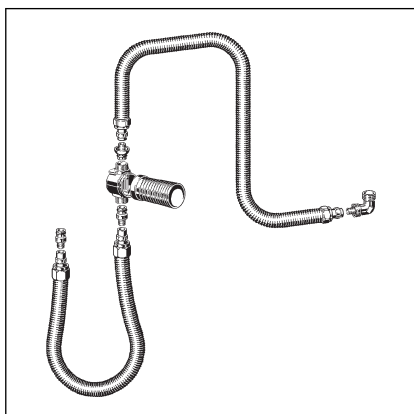
Drainage capacity (at an accumulation height of 300 mm)	0.92 l/s
Overflow capacity (at an accumulation height of 60 mm)	0.55 l/s or 0.63 l/s
Inlet capacity (at 0.25 MPa (2.5 bar))	20 l/min
Diameter of bathtub drain hole	52 mm
DN (nominal width) outlet pipe	40 / 50 mm
Length of Bowden cable	1070 mm
Length	150–680 mm
Height	180–480 mm
Dimensions and installation depth	☞ Chapter 3.1.2 'Installation dimensions' on page 9

## 2.3 Accessories



The accessories shown here are not included in the scope of delivery. If required, it must be purchased separately.

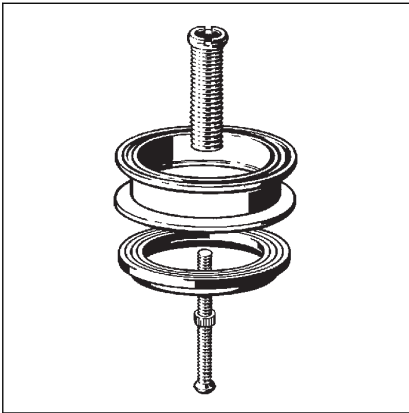
### Required accessories



#### Pipe interrupter

To ensure that no bath water flows back into the potable water installation, a pipe interrupter must be installed, e.g. the connection set with concealed pipe interrupter DN 20, model 6161.86. A suitable cover rosette for the pipe interrupter must be purchased separately.

### Optional accessories



#### Multiplex extension set

It is possible to extend the odour trap below the bathtub in the case of bathtubs with a very thick floor. The extension set, model 6161.7, is available for such cases.



### 3 Handling

#### 3.1 Assembly information

##### 3.1.1 Mounting conditions

The following requirements exist for the mounting of the drain / overflow:

- The bathtub is installed.
- The drainage line is installed all the way to the bathtub.
- The underside of the bathtub is accessible.

##### 3.1.2 Installation dimensions

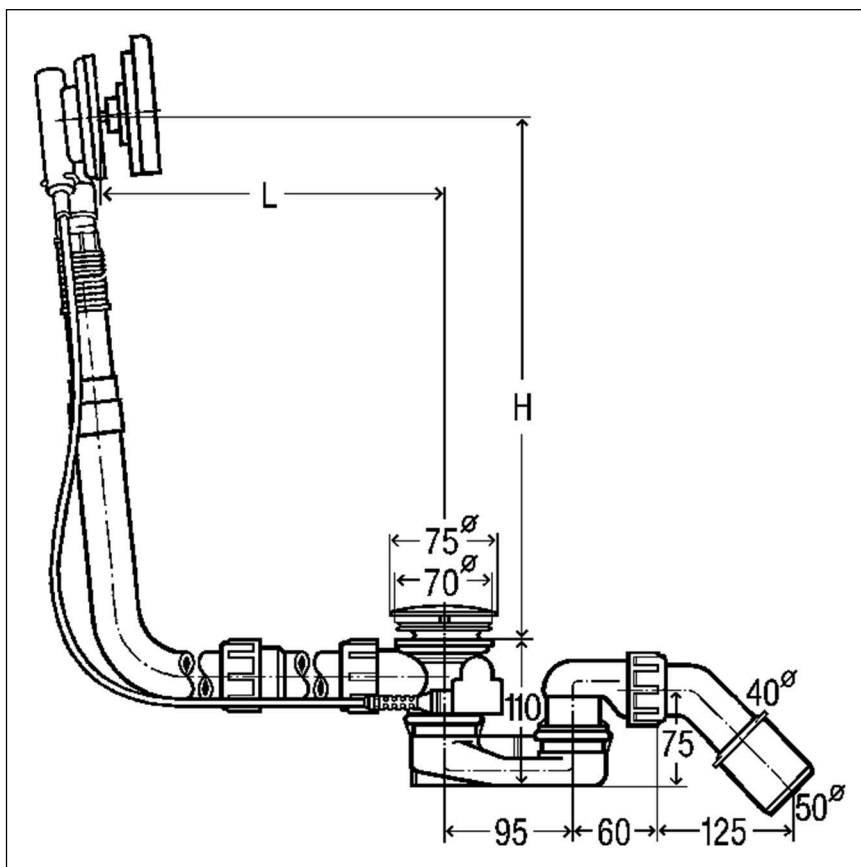


Fig. 2: Dimensional drawing

The following values are valid for L (length) and H (height):

- L = 100–680
- H = 180–480

### 3.1.3 Required tools and materials

#### Tool

The following tools are required for mounting:

- socket spanner (size 14)
- fine-toothed saw
- flat-blade screwdriver

#### Material

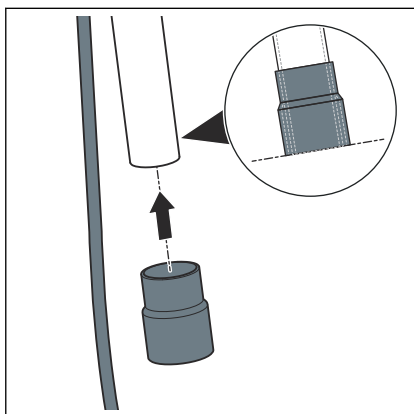
No additional material is required for the complete mounting of the product.

## 3.2 Assembly

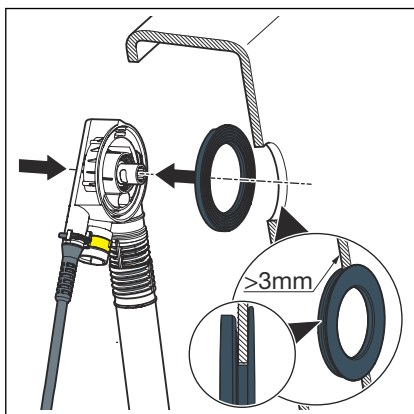
### 3.2.1 Mounting overflow

Proceed as follows to the mounting of the overflow:

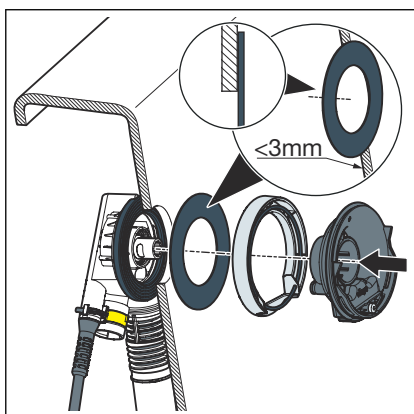
- Push the rubber sleeve onto the pipe of the overflow unit.  
The lower edge must be flush with the edge of the overflow pipe.

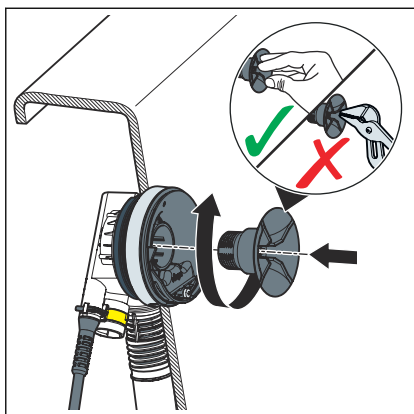


- Fit the profile seal in the overflow unit.
- If the wall thickness is smaller than 3 mm (in the case of steel bathtubs), insert an additional seal between profile seal and bathtub.



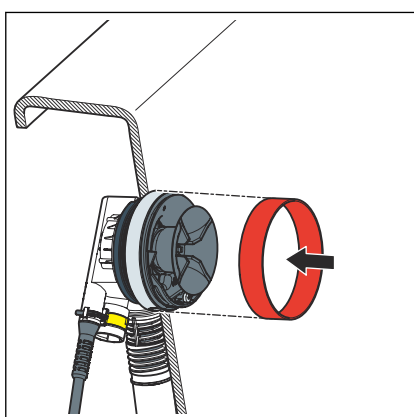
- Join flange cover and supply flange.
- Place the sealing element on the supply flange.
- Fit the supply flange into the overflow unit.





- Hold the overflow unit on the overflow opening of the bathtub from the outside.
- Insert the fixing screw in the flange.
- Screw the fixing screw in the overflow unit.

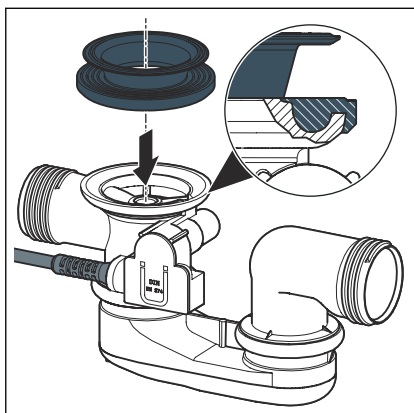
**NOTICE!** Pliers or other tools may damage the fixing screw or the flange. Only tighten the fixing screw by hand.



- Place the site protection on the flange.

### 3.2.2 Mounting the drain

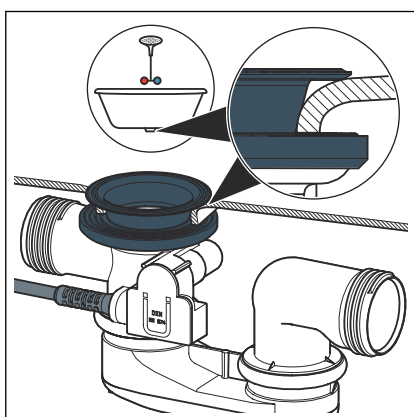
Proceed as follows to mount the drain:



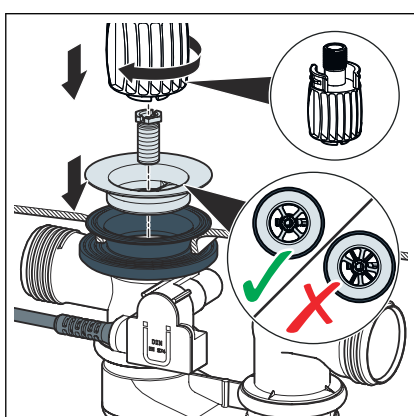
- Place the double seal onto the drain unit in such a way that the recess is positioned above the connecting pipe.

Place the profile seal in the recess of the drain unit.

- Mount the drain unit with profile seal on the drain hole of the bathtub from below.
- Pull the edge of the double seal over the edge of the drain.



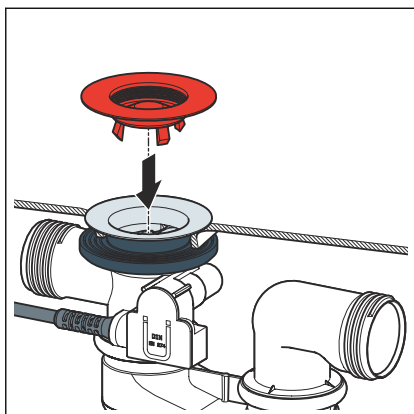
- Pull the upper part of the double seal through the drain hole.



- Insert the valve top and the fixing screw.

**INFO!** The cross-shaped structures of the odour trap and the valve top must be positioned parallel on top of each other to ensure the full drainage capacity.

- Tighten the fixing screw with the mounting aid.



- Insert the site protection.

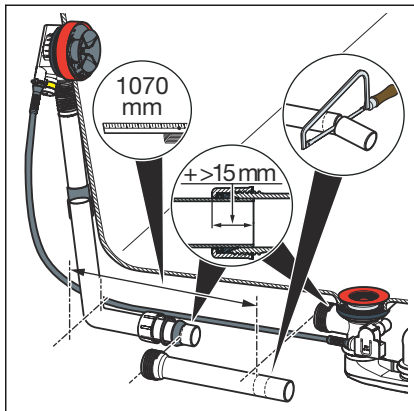
### 3.2.3 Connecting overflow and drain

After the overflow and the drain have been mounted, you must connect them both using the overflow pipe. Proceed as follows:

Requirements:

- The overflow is mounted in the overflow opening.
- The drain is securely mounted on the base of the bathtub.

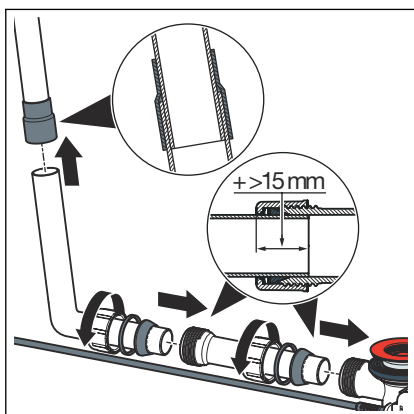
**NOTICE!** Connections where the pipes are not inserted far enough into each other become leaky. For this reason, maintain a minimum insertion depth of 15 mm for every connection.



- Mount the overflow pipes.
- Hold the pipe of the overflow unit parallel to the mounted overflow pipes and mark the positions where the drain and the overflow should be connected.

Minimum insertion depth: 15 mm

- Cut the overflow pipes to the marked length and deburr them.



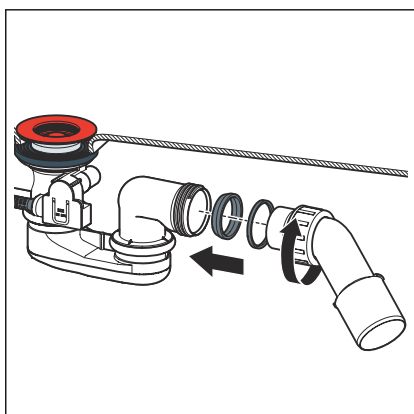
- Push the top end of the overflow pipe into the rubber sleeve.  
Minimum insertion depth: 15 mm
- Push the union nut, sliding ring and seal onto the bottom end of the drain elbow.
- Screw the union nut on the drain unit.

### 3.2.4 Connecting the wastewater system

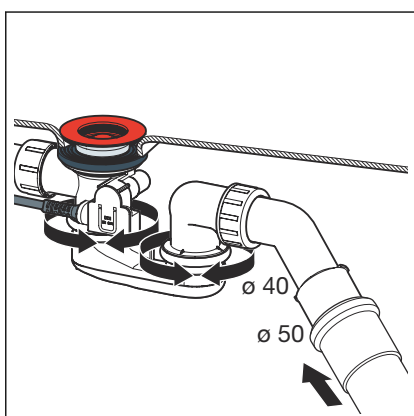
Proceed as follows to connect the drain/overflow to the wastewater system:

Requirements:

- The overflow and drain units are installed on the bathtub.
- The connection between overflow and drain has been made.
- If the wastewater pipe only has a diameter of 40 mm, cut off drain elbow.



- Push the union nut, sliding ring and seal onto the drain elbow.
- Ensure that the seal is positioned securely in the recess.
- Screw the union nut on the drain unit.



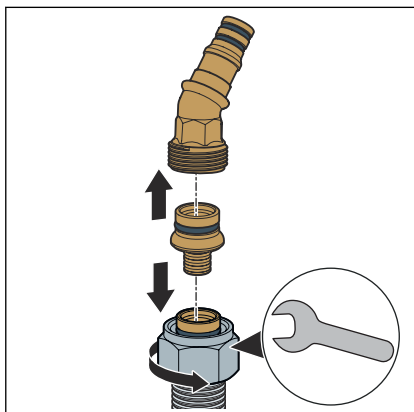
- Align the odour trap in such a way that the drain elbow can be connected to the wastewater pipe.
- Push the wastewater pipe in the drain elbow.

### 3.2.5 Connecting the inlet

Requirements:

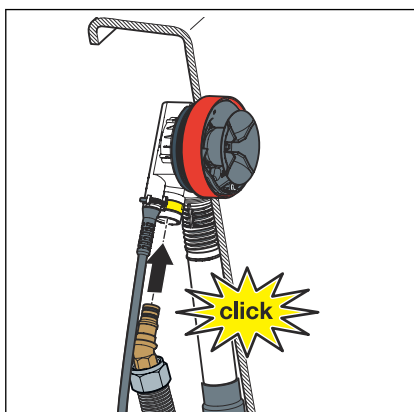
- A connection set (e. g. the pipe interrupter set) is available.
- A pipe interrupter is installed in the supply pipeline.

- The overflow and the drain are mounted.
- The overflow and the drain are connected.
- The connection to the wastewater system has been made.



**INFO! Mounting with the Viega plug connection is described in the following. Mounting can also be carried out with other connecting materials. If necessary, observe the manufacturer's instructions.**

- Push the union nut and the clamping ring (parts of the connection set) onto the water-carrying pipe.
- Push the narrow end of the screw fitting (part of the connection set) into the pipe as far as it will go.
- Push the free end of the screw fitting into the connecting piece.
- Use the union nut to screw the pipe tight at the connecting piece.



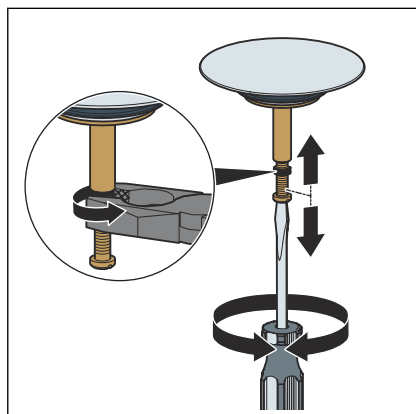
- Insert the connecting piece into the overflow unit.

The connecting piece must click into place in the overflow unit with a noticeable clicking sound.

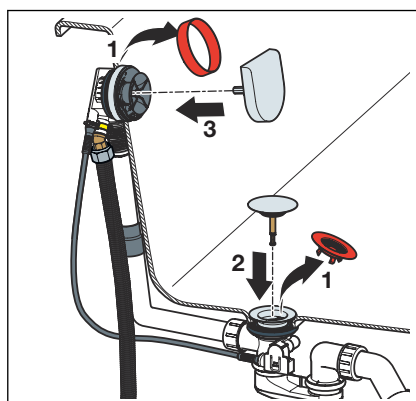


### 3.2.6 Mounting equipment set

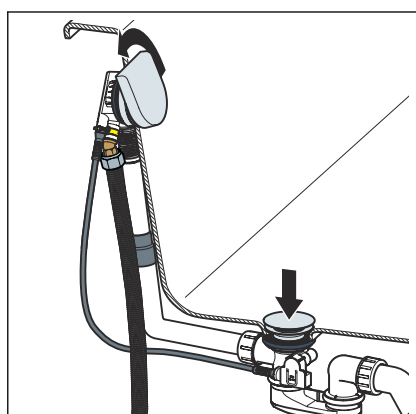
To avoid damage to the rosette and valve cone, only mount the equipment set after finishing all other work on the building site. Proceed as follows:



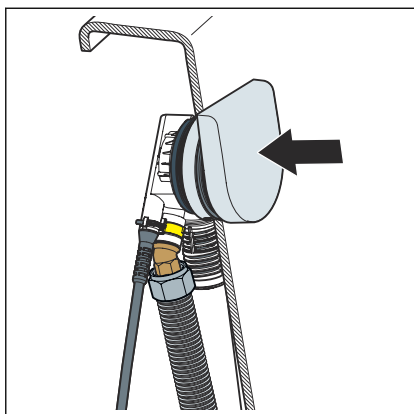
- Set the valve cone with the help of the adjusting screw and counter with the nut.



- Remove the red site protection.
- Fit the valve cone.
- Fit the rotatable rosette loosely (not all the way).



- To align, turn the rotatable rosette as far as it will go to the left.
  - The valve cone closes itself.

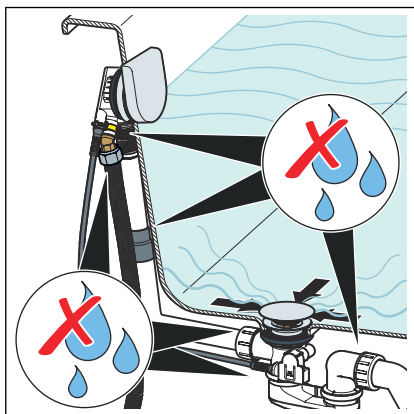


- Remove the rotatable rosette.
- Fit the rotatable rosette with the flat side facing upwards.
- The rotatable rosette is properly aligned.

### 3.2.7 Leakage test

The leakage test is only carried out as a visual inspection.

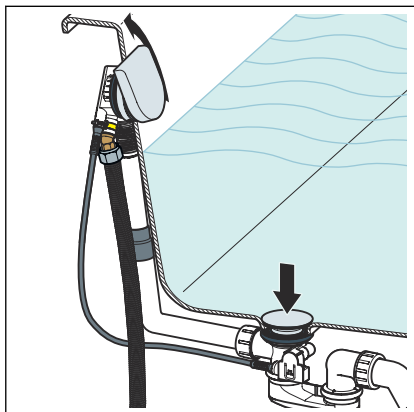
Check the points marked in the following drawing with particular care:



- Check the drain/overflow fitting for visible leaks.

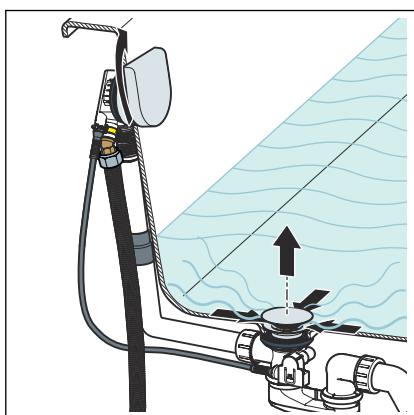
### 3.3 Use

The drain / overflow are controlled via the rotatable rosette on the overflow. Proceed as follows to open or close the drain:



■ Turn the rotatable rosette to the left.

□ The drain closes itself.

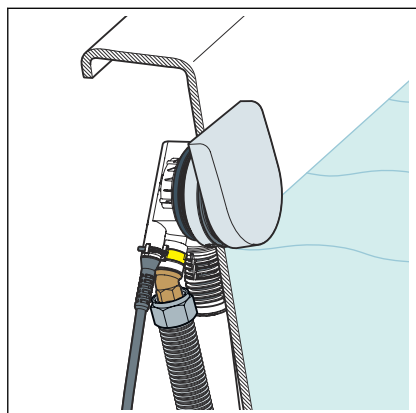


■ Turn the rotatable rosette to the right.

□ The drain opens itself.

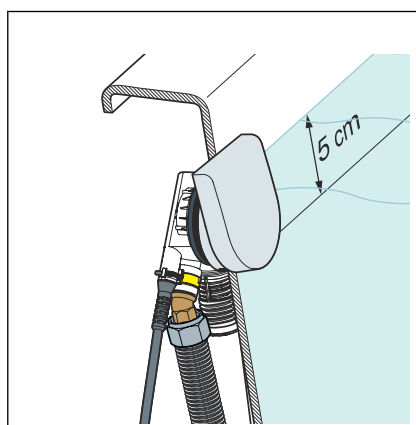
## Functionality of the water level increase

The water level increase functions as follows:



**The water level increase is switched off when the rotatable rosette is pulled out.**

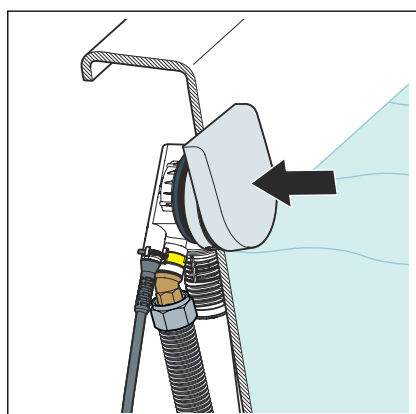
The water drains via the drain hole behind the rotatable rosette.



**The water level increase is switched on when the rotatable rosette is pushed in.**

The water drains via the drain hole on the upper edge of the rotatable rosette.

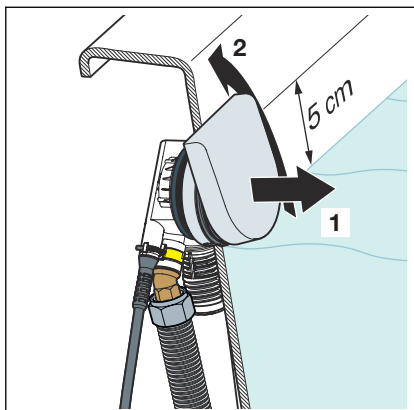
## Activating water level increase



➤ Push the rotatable rosette towards the rim of the bathtub.

□ The water level increase is switched on.

### Deactivating water level increase



- There are two methods of deactivating the water level increase:
  - Pull out the rotatable rosette.
  - Turn the rotatable rosette to the left.
- The water level increase is switched off.

## 3.4 Care



### **NOTICE!** Risk of damage due to unsuitable cleaning agent.

The following cleaning agents can damage chrome-plated surfaces and therefore may not be used:

- scouring agent
- abrasive sponges
- lime, plaster or cement dissolver
- solvents or other acidic cleaning agents

Use normal soap or a mild cleaning agent for regular care and prevention of lime scale on the rotatable rosette and valve cone. Do not use scouring agent or abrasive objects!

Use household cleaner to remove coarse soiling, also around the drain unit and the odour trap. Rinse the detergent thoroughly with clear water after the prescribed exposure time. There should be no residue on the components.

## 3.5 Disposal

Separate the product and packaging materials (e. g. paper, metal, plastic or non-ferrous metals) and dispose of in accordance with valid national legal requirements.



**Viega GmbH & Co. KG**  
service-technik@viega.de  
viega.com

INT • 2022-08 • VPN170031

