

# Viega Eco Plus Bidet element

## Instructions for Use



for wall-hung bidet

**Model**  
8167.6

en\_INT

**Year built:**  
from 01/2015

**viega**



# Table of contents

<b>1</b>	<b>About this instruction for use</b>	<b>4</b>
1.1	Target groups	4
1.2	Labelling of notes	4
1.3	About this translated version	5
<b>2</b>	<b>Product information</b>	<b>6</b>
2.1	Intended use	6
2.1.1	Areas of use	6
2.2	Product description	7
2.2.1	Overview	7
2.2.2	Compatible components	7
2.2.3	Sound protection	8
2.3	Accessories	8
<b>3</b>	<b>Handling</b>	<b>9</b>
3.1	Assembly information	9
3.1.1	Mounting conditions	9
3.1.2	Installation dimensions	10
3.1.3	Required tools	10
3.2	Assembly	10
3.2.1	Mounting bidet element	10
3.3	Disposal	19

# 1 About this instruction for use

Trade mark rights exist for this document, further information can be found at [www.viega.com/legal-notices](http://www.viega.com/legal-notices).

## 1.1 Target groups

The information in this instruction manual is directed at the following groups of people:

- Heating and sanitary professionals and trained personnel
- Drywall builder

It is not permitted for individuals without the abovementioned training or qualification to mount, install and, if required, service this product. This restriction does not extend to possible operating instructions.

The installation of Viega products must take place in accordance with the general rules of engineering and the Viega instructions for use.

## 1.2 Labelling of notes

Warning and advisory texts are set aside from the remainder of the text and are labelled with the relevant pictographs.



### **DANGER!**

This symbol warns against possible life-threatening injury.



### **WARNING!**

This symbol warns against possible serious injury.



### **CAUTION!**

This symbol warns against possible injury.



### **NOTICE!**

This symbol warns against possible damage to property.



*Notes give you additional helpful tips.*

### 1.3 About this translated version

This instruction for use contains important information about the choice of product or system, assembly and commissioning as well as intended use and, if required, maintenance measures. The information about the products, their properties and application technology are based on the current standards in Europe (e. g. EN) and/or in Germany (e. g. DIN/DVGW).

Some passages in the text may refer to technical codes in Europe/Germany. These should serve as recommendations in the absence of corresponding national regulations. The pertinent national laws, standards, regulations and guidelines, as well as other technical guidelines, have priority over German/European guidelines in this manual: The information is not binding for other countries and territories and should, as mentioned, be considered as support.

## 2 Product information

### 2.1 Intended use

#### 2.1.1 Areas of use

The Viega Eco Plus bidet element is suitable for mounting on wall constructions in acc. with DIN EN 1996-1-1, DIN 1045 and support profiles in acc. with DIN 18183.

## 2.2 Product description

### 2.2.1 Overview

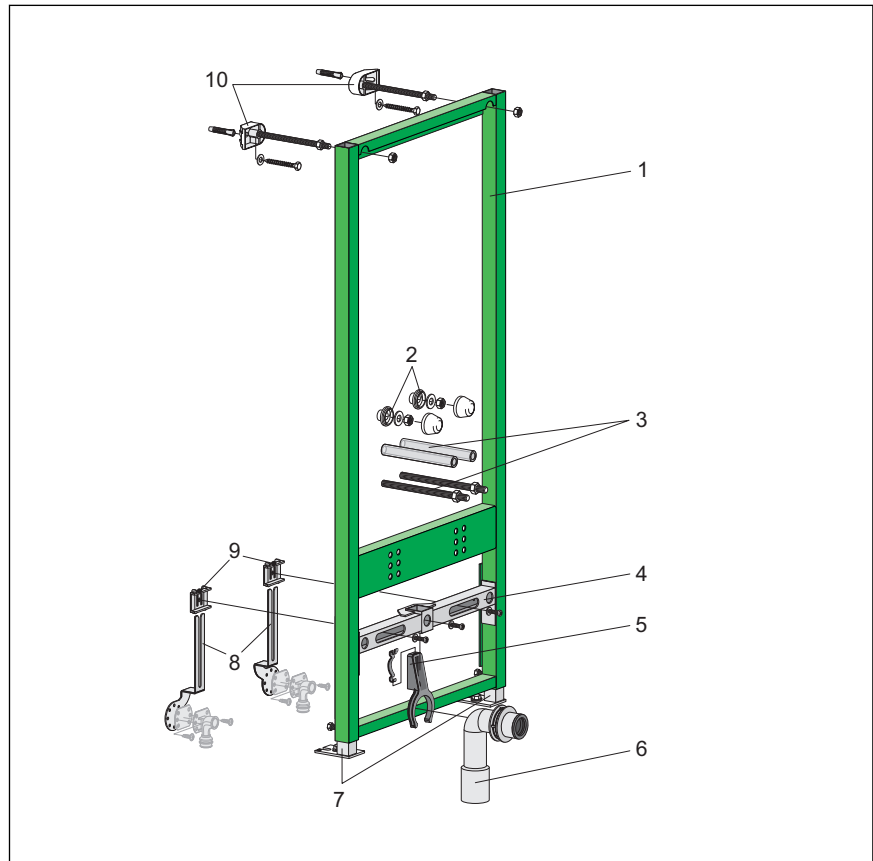


Fig. 1: Components

- 1 - Viega Eco Plus element
  - 2 - fixing set for bidet ceramic\*
  - 3 - threaded rods for fixing sanitary objects  
(gauges for bore hole 180 mm and 230 mm)
  - 4 - transition piece
  - 5 - mounting bracket for drain elbow
  - 6 - drain elbow
  - 7 - adjustable feet
  - 8 - mounting bracket for wall plate
  - 9 - connection piece with hexagonal nuts
  - 10 - fixing set, model 8173\*
- \* not included in scope of delivery

### 2.2.2 Compatible components

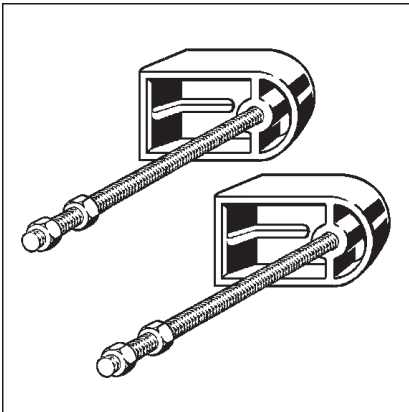
The element is compatible with all common bidet ceramics, even with larger projection (barrier-free).

### 2.2.3 Sound protection

The bidet element fulfils the requirements in acc. with DIN 4109 as well as the increased requirements in acc. with DIN 4109 (supplementary sheet 2) and the requirements in acc. with VDI 4100 SSt I-SSt III.

## 2.3 Accessories

### Required accessories



The fixing set model 8173 is required to secure.



# 3 Handling

## 3.1 Assembly information

### 3.1.1 Mounting conditions

#### Suitable walls

The bidet element can be mounted on the following walls:

- masonry in acc. with DIN EN 1996-1-1
- concrete walls in acc. with DIN 1045
- metal support profile in acc. with DIN 18183

The bidet element may only be mounted on even wall surfaces.

#### Construction height

With the construction height, the marked height of the upper edge of the finished floor must be observed.



*Errors caused by incorrect construction heights may limit the setting range after the completion of the work. A correction and therefore a limitation of the setting range is only possible up to max. 20 mm. The setting range is reduced accordingly from 80 mm to 60 mm.*

#### Bidet ceramic

The bidet element can only be used in combination with wall-hung bidets (fixing gauges for bore hole 180 mm or 230 mm).

### 3.1.2 Installation dimensions

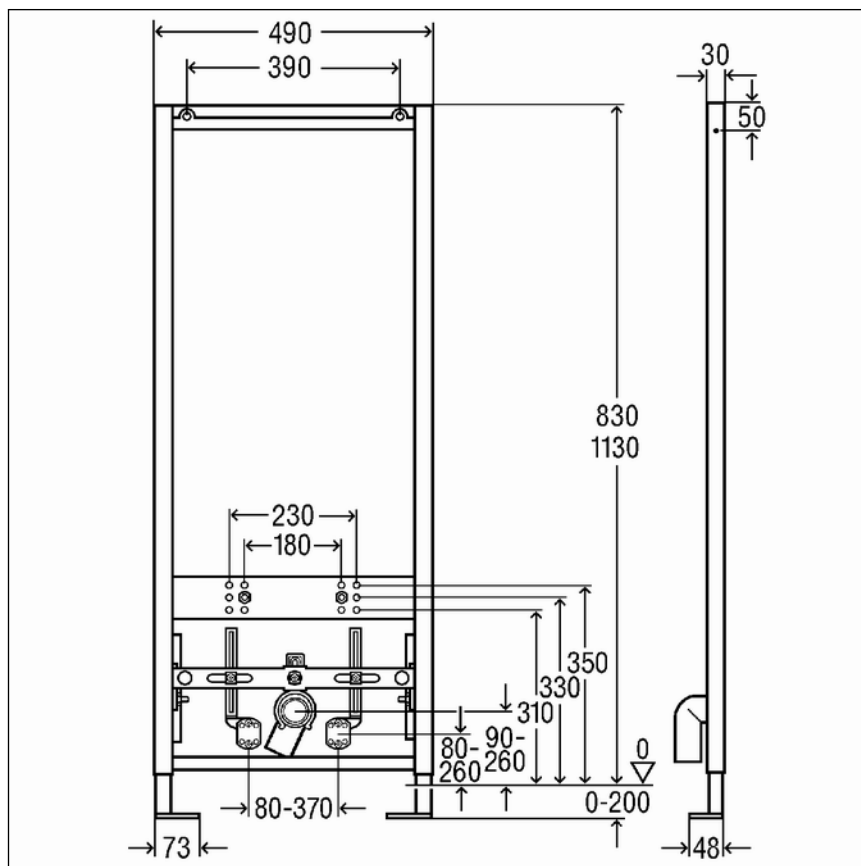


Fig. 2: Dimensions

### 3.1.3 Required tools

The following tools are required for the mounting of the bidet element:

- drill with 10 mm drill bit
- Ratchet with sockets: 13 mm / 17 mm
- fork or ring spanner: 13 mm / 17 mm / 19 mm
- Phillips-tip screwdriver

## 3.2 Assembly

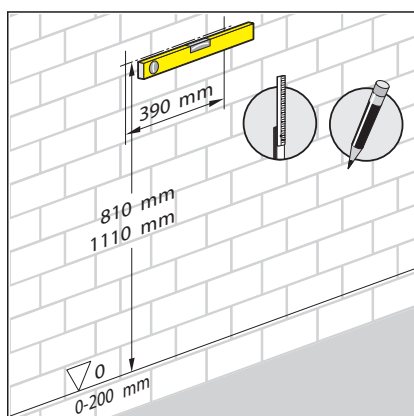
### 3.2.1 Mounting bidet element



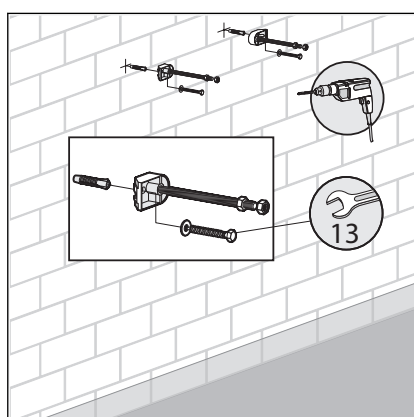
#### ***Masonry and concreted walls***

*You should use a support bracket (model 8165) when mounting multiple bidet elements with an interval of > 490 mm. Observe the instructions for use of the support bracket when mounting.*

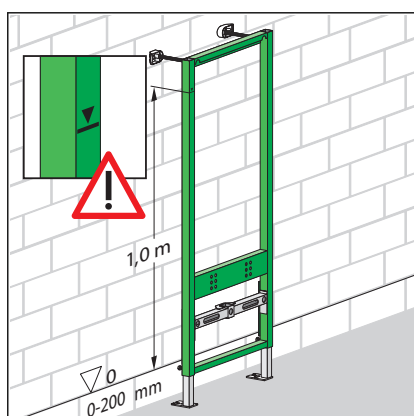
## Masonry wall



- Determine and mark fixing points.



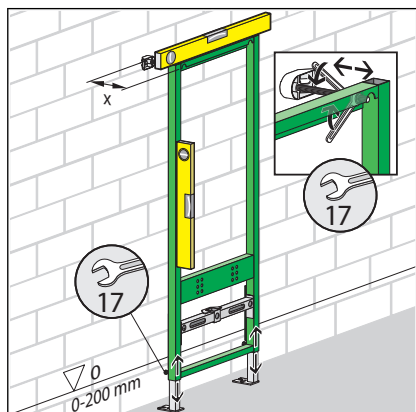
- Drill holes.
- Mount the fixing set with the fork spanner (SW 13).



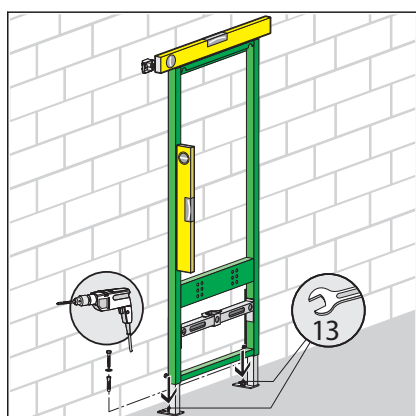
- Align height of the bidet element in accordance with cutting check.

Determine construction height in accordance with the on-site marking of the upper edge of the finished floor.

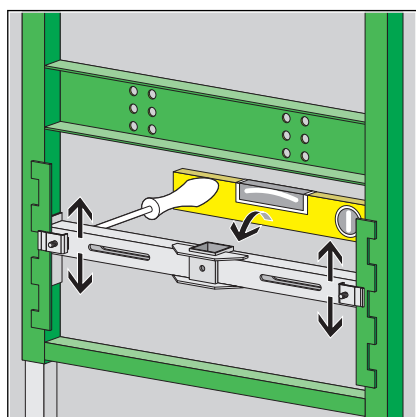
**INFO! The construction height must be determined exactly. There are only limited possibilities available to remedy errors made during this assembly step, ↗ 'Construction height' on page 9.**



- Set the installation depth of the pre-wall element with the fork spanner (SW 17).
- Attach bidet element to the wall.

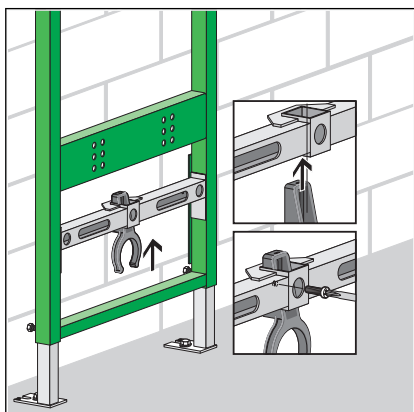


- Attach Bidet element to the floor using the fork spanner (SW 13) and the screws and dowels supplied.

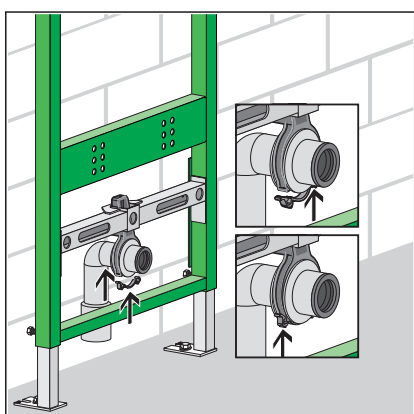


- Set the height of the adapter.

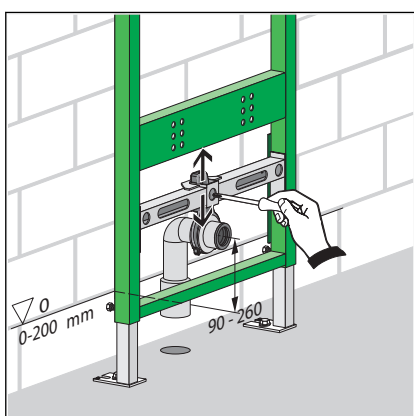
- Bend the water line into shape and then connect.



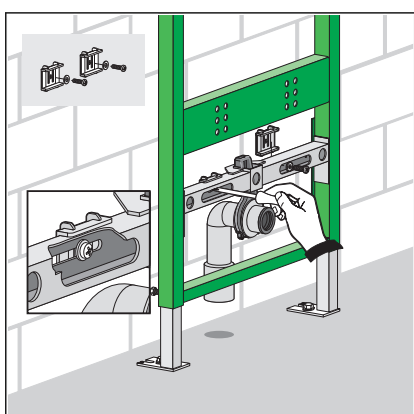
- Secure the bracket for the drain elbow in the adapter.



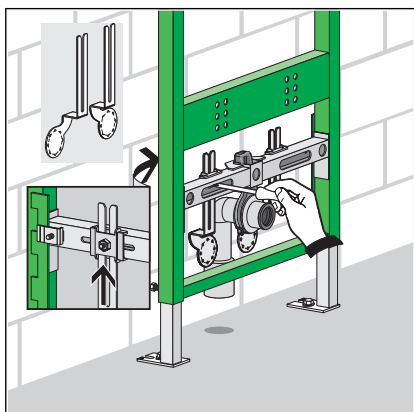
- Mount drain elbow in mounting bracket.
- Secure with a bracket.



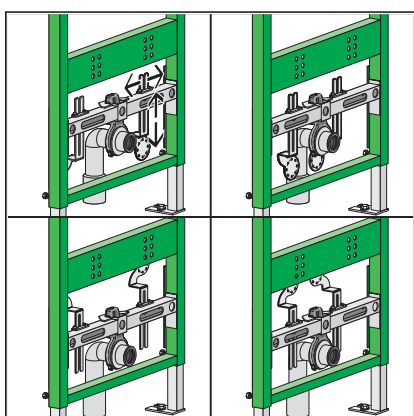
- Set height of the drain elbow (90 mm–260 mm)



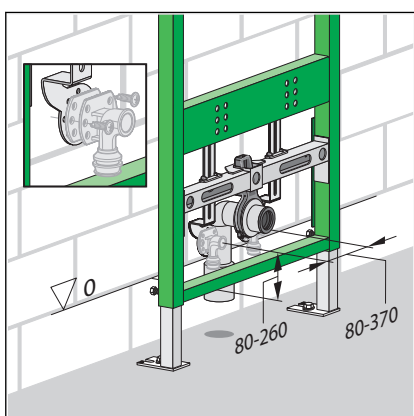
- Mount connection piece onto the adapter.



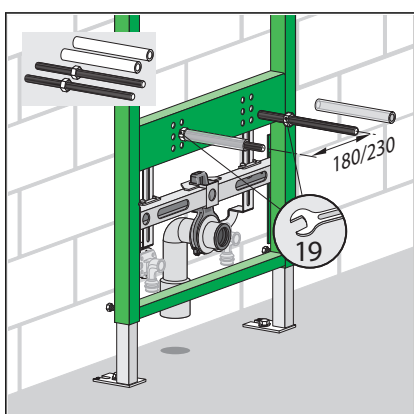
- Push the wall plate fixing into the connection piece.
- Screw wall plate fixing tight.



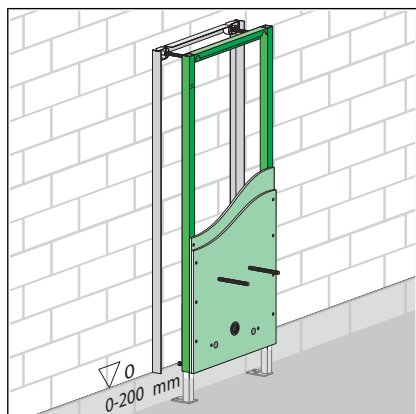
- Shift wall plate fixing as required:  
Play
  - horizontal: 80 mm–370 mm
  - vertical: 80 mm–260 mm



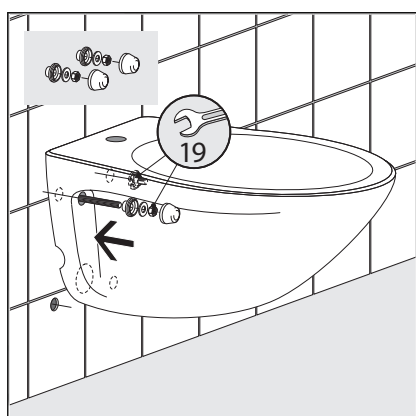
- Mount the wall plates.  
The wall plates are not included in the scope of delivery.
- Set wall plates depending on the ceramic chosen.



- Mount threaded bolts.



- Double-clad bidet element (2 x 12.5 mm).
- Clad bidet element (1 x 12.5 mm).
- Finish wall construction.

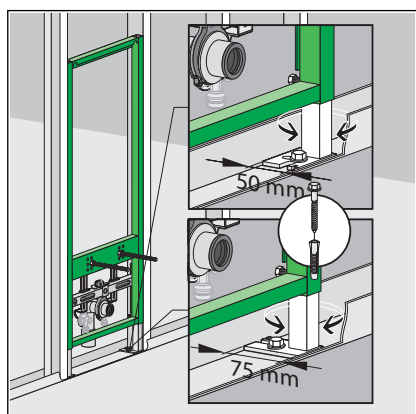


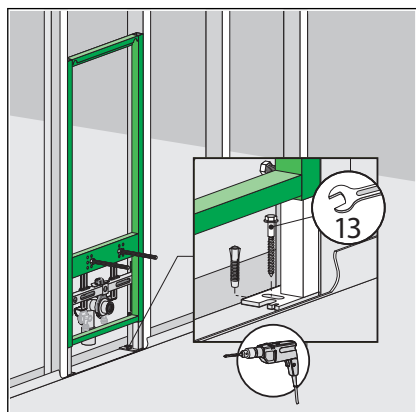
- Mount bidet ceramic.

### On-site support profile

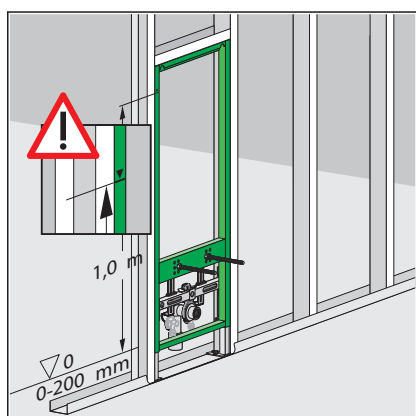
The bidet element can be inserted into the 50 mm and 75 mm support profiles.

- Determine the fixing points.
- Align element.
- If necessary, adjust the pre-mounted feet from 75 mm to 50 mm:  
Pull the foot out and turn by 90°.



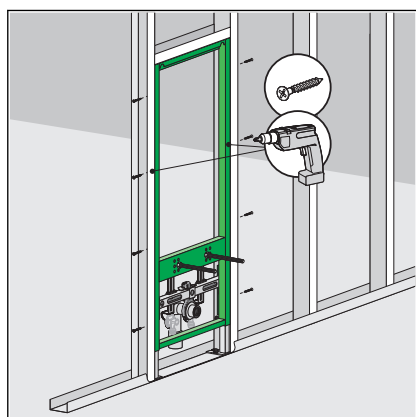


- Attach Bidet element to the floor using the fork spanner (SW 13) and the screws and dowels supplied.

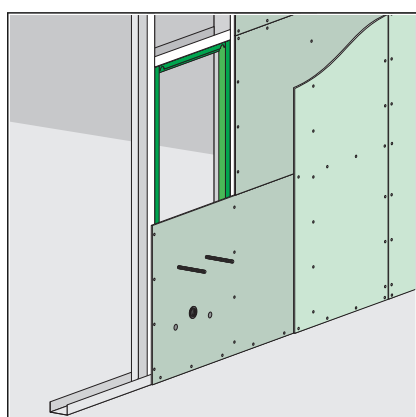


- Determine construction height in accordance with the on-site marking of the upper edge of the finished floor.
- Pull bidet element up (cutting check) and align.

**INFO!** The construction height must be determined exactly. There are only limited possibilities available to remedy errors made during this assembly step, ↗ 'Construction height' on page 9.

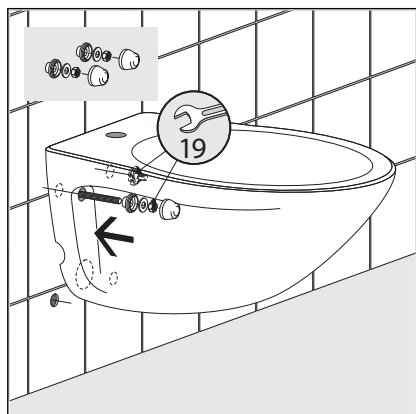


- Screw the bidet element together laterally with the support profiles (SW 17).



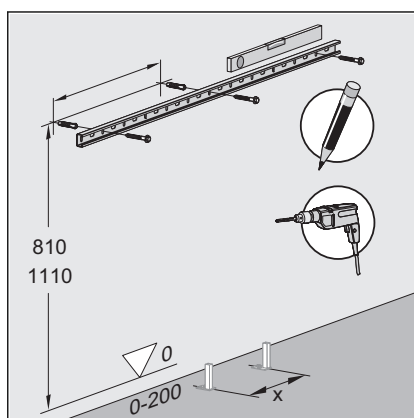
- Double-clad bidet element (2 x 12.5 mm).
- Finish wall construction.



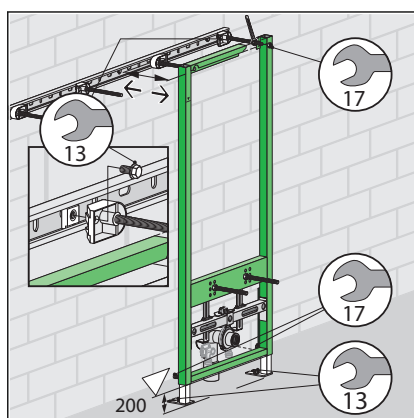


► Mount bidet ceramic.

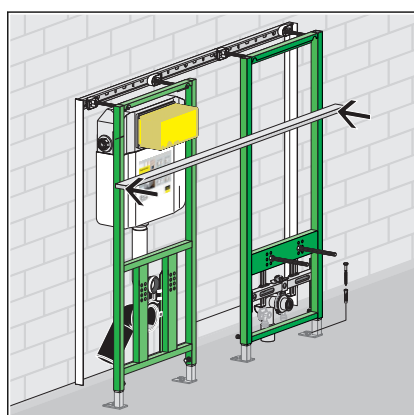
## Line mounting



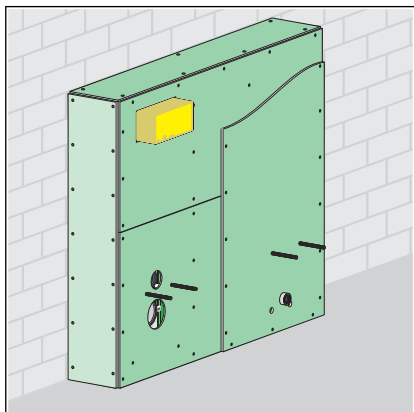
- Determine and mark fixing points.
- Drill holes.
- Mount the mounting rail (model 8001) with the fork spanner (SW 13).



- Pull bidet element up (cutting check) and align.
- Tighten feet with the fork spanner (SW 13).
- Attach bidet element to the rail.



- Align elements with one another.



► Double-clad elements (2 x 12.5 mm).

### 3.3 Disposal

Separate the product and packaging materials (e. g. paper, metal, plastic or non-ferrous metals) and dispose of in accordance with valid national legal requirements.