

Instructions for Use

Viega Steptec WC module



Viega Steptec

Model
8430.3

Year built (from)
03/2014

viega

Table of contents

1	About these instructions for use	3
	1.1 Target groups	3
	1.2 Labelling of notes	3
	1.3 About this translated version	4
2	Product information	5
	2.1 Standards and regulations	5
	2.2 Intended use	5
	2.2.1 Areas of use	5
	2.3 Product description	6
	2.3.1 Overview	6
	2.3.2 Compatible components	6
	2.3.3 Sound protection	8
	2.3.4 Technical data	8
3	Handling	9
	3.1 Assembly information	9
	3.1.1 Mounting conditions	9
	3.1.2 Installation dimensions	10
	3.1.3 Required tools	10
	3.2 Assembly	10
	3.2.1 Mounting module	10
	3.2.2 Connecting concealed cistern	13
	3.2.3 Preparing optional actuation versions	17
	3.2.4 Rounding off jobs	18
	3.2.5 Setting the flush volume	18
	3.3 Cleaning and maintenance	19
	3.4 Disposal	19

1 About these instructions for use

Trade mark rights exist for this document, further information can be found at viega.com/legal.

1.1 Target groups

The information in this instruction manual is directed at the following groups of people:

- Heating and sanitary professionals and trained personnel
- Drywall builder

It is not permitted for individuals without the abovementioned training or qualification to mount, install and, if required, maintain this product. This restriction does not extend to possible operating instructions.

The installation of Viega products must take place in accordance with the general rules of engineering and the Viega instructions for use.

1.2 Labelling of notes

Warning and advisory texts are set aside from the remainder of the text and are labelled with the relevant pictographs.



DANGER!

This symbol warns against possible life-threatening injury.



WARNING!

This symbol warns against possible serious injury.



CAUTION!

This symbol warns against possible injury.



NOTICE!

This symbol warns against possible damage to property.



Notes give you additional helpful tips.

1.3 About this translated version

This instruction for use contains important information about the choice of product or system, assembly and commissioning as well as intended use and, if required, maintenance measures. The information about the products, their properties and application technology are based on the current standards in Europe (e. g. EN) and/or in Germany (e. g. DIN/DVGW).

Some passages in the text may refer to technical codes in Europe/Germany. These should serve as recommendations in the absence of corresponding national regulations. The pertinent national laws, standards, regulations and guidelines, as well as other technical guidelines, have priority over German/European guidelines in this manual: The information is not binding for other countries and territories and should, as mentioned, be considered as support.

2 Product information

2.1 Standards and regulations

The following standards and regulations apply to Germany / Europe and are provided as a support feature.

Regulations from section: Fields of application / Mounting conditions

Scope / Notice	Regulations applicable in Germany
suitable masonry walls	EN 1996-1-1
suitable concreted walls	DIN 1045

Regulations from section: Sound protection

Scope / Notice	Regulations applicable in Germany
Fulfilled noise protection requirements	VDI 4100 SSt I-SSt II

2.2 Intended use

2.2.1 Areas of use

The Viega Steptec WC module is suitable for mounting on wall constructions pursuant to the regulations in section ↪ *'Regulations from section: Fields of application / Mounting conditions'* on page 5 and is intended for use in a Steptec pre-wall construction.

2.3 Product description

2.3.1 Overview

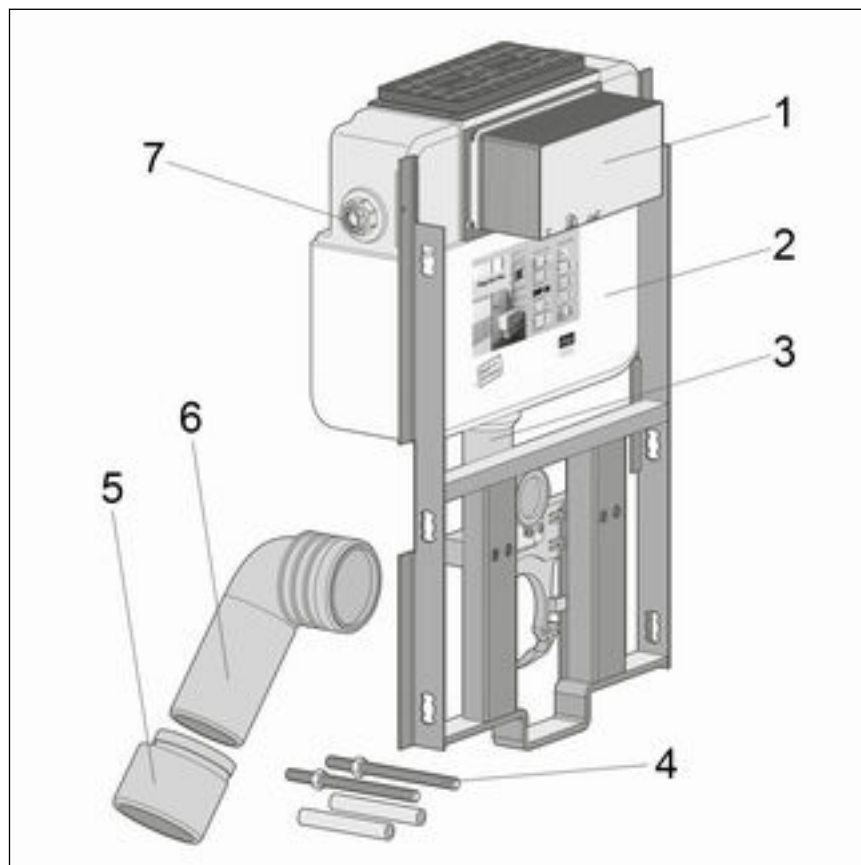


Fig. 1: Scope of delivery

- 1 - revision shaft
- 2 - cistern 2H
- 3 - flushing pipe
- 4 - sanitary object fixing set
- 5 - reducer
- 6 - connection elbow 90°
- 7 - water connection

2.3.2 Compatible components

The WC module is compatible with common WC ceramics, even with larger projection (barrier-free).

The WC module can be extended by the following compatible components:

- fixing element (model 8011.9)
- plywood board (model 8096)
- connection installation set (model 8350.14)

Mount the components in accordance with the instructions for use of the components.

Fixing element

The fixing element is suitable for barrier-free installation. Supports and handles can be mounted on the fixing element.

Odour extraction

The odour extraction is suitable for the reduction of odour nuisance in inside bathrooms and heavily frequented toilet facilities. The odour extraction is directly connected to the ventilation system.

Connection installation set

The installation set is suitable for the connection of an electrical actuation. The installation set consists of an empty pipe, a cavity wall socket and the relative, required clip. The empty pipe connects the cavity wall socket with the concealed cistern.

Compatible flush plates

Product	Name	Model
Standard	Flush plate Standard 1	8180.1
Visign for Style	Flush plate Visign for Style 10	8315.1
	Flush plate Visign for Style 11	8331.1
	Flush plate Visign for Style 12	8332.1
	Flush plate Visign for Style 12	8332.4
	Flush plate Visign for Style 13	8333.1
	Flush plate Visign for Style 14	8334.1
	Functional unit	8332.3
	Visign for More	Flush plate Visign for More 100
Flush plate Visign for More 101		8351.1
Flush plate Visign for More 102		8353.1
Flush plate Visign for More 103		8355.1

Product	Name	Model
Visign for Care sensitive	Flush plate Visign for More 104	8354.1
	Flush plate sensitive Visign for Care	8352.21
Visign for More sensitive	Flush plate sensitive Visign for More 100	230 V 8352.11
	Flush plate sensitive Visign for More 100	6.5 V 8352.12
	Flush plate sensitive Visign for More 103	230 V 8355.11
	Flush plate sensitive Visign for More 103	6.5 V 8355.12
Visign for Public	Flush plate Visign for Public 1	8326.1
	Flush plate Visign for Public 2	8327.1
	Remote actuation Visign for Public 1	8326.21
	Cover plate Visign for Public	8326.9

2.3.3 Sound protection

The WC module complies with the noise insulation requirements specified in section [↗](#) 'Regulations from section: Sound protection' on page 5.

2.3.4 Technical data

Flush volume

Small flush volume	Factory setting	approx. 3 l
	Setting range	approx. 3–4 l
Large flush volume	Factory setting	approx. ca. 6 l
	Setting range	approx. 6–9 l

3 Handling

3.1 Assembly information

3.1.1 Mounting conditions

Suitable walls

For this, observe the Steptec system instructions for use.

Construction height

With the construction height, the marked height of the upper edge of the finished floor must be observed.

Installation depth

The installation depth is at least 196 mm.

WC ceramic

The WC module can only be used in combination with wall-hung WCs (fixing gauges for bore hole 180 mm or 230 mm).

Actuation

The WC module can be extended by a remote actuation Visign for Public1 (model 8326.21) or by an electronic actuation (model 8350.31 or 8350.32). The corresponding actuation method must be prepared before the WC module is clad and tiled.

The corresponding empty pipe (included in the scope of delivery of the remote actuation) is required when preparing the remote actuation Visign for Public1.

3.1.2 Installation dimensions

Dimensions

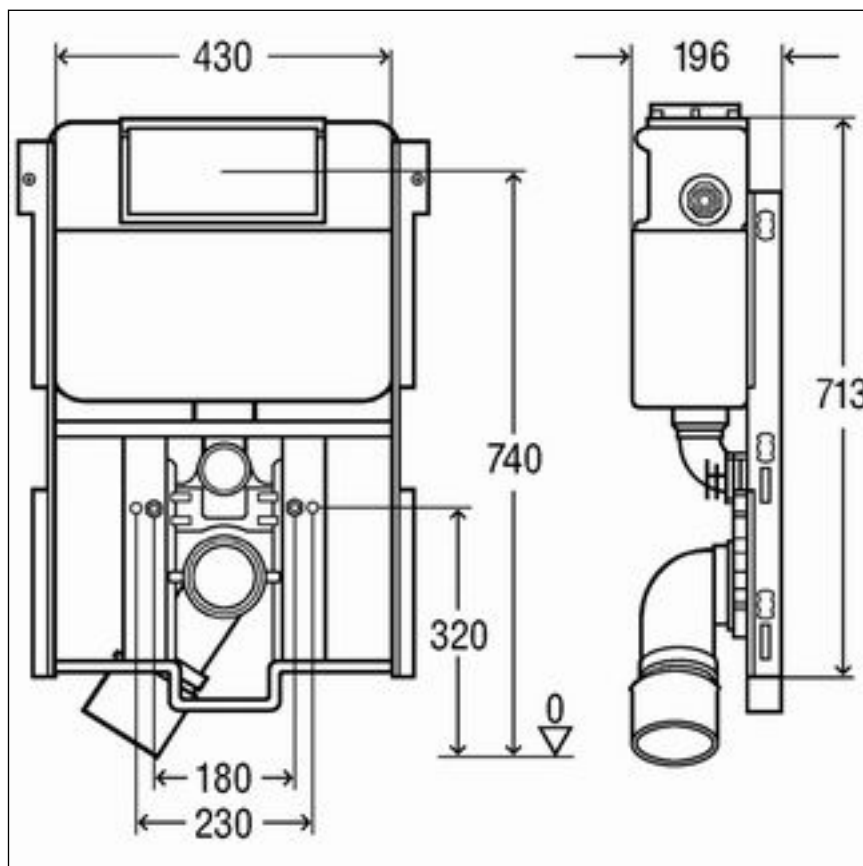


Fig. 2: Dimensions

3.1.3 Required tools

The following tools are required for mounting the WC module:

- fork or ring spanner: 17 mm / 19 mm

3.2 Assembly

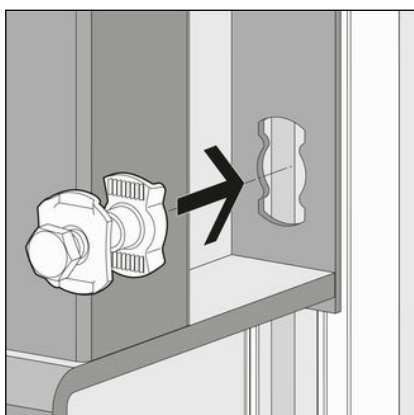
3.2.1 Mounting module

Mounting in Steptec

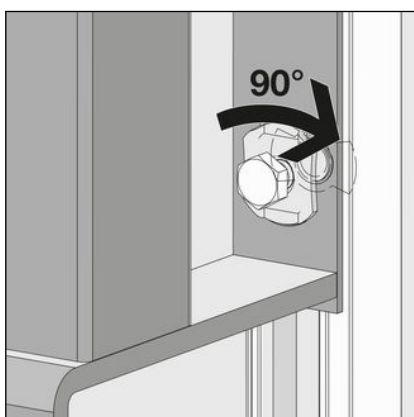


The two vertical rails, which surround the module, must be open towards the module and be at an interval of 430 mm.

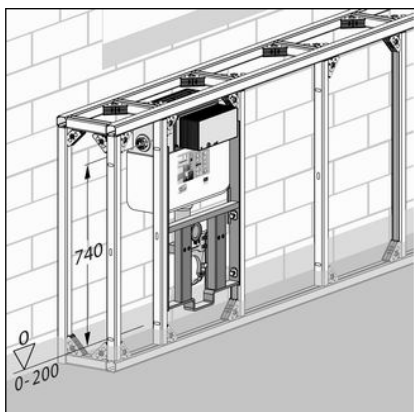
Securing module



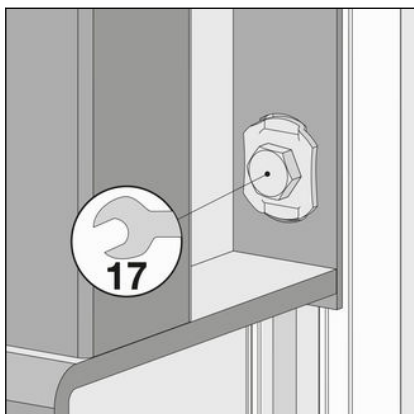
- Secure the module onto the open Steptec rail with the slot nuts supplied:
- Insert the slot nut into the opening of the module.



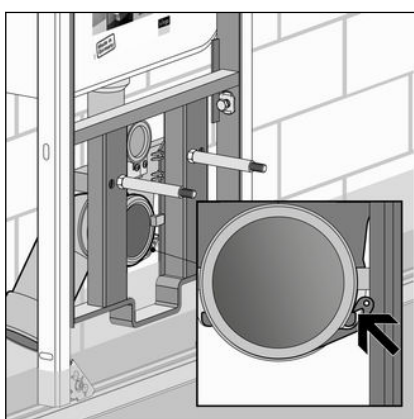
- Push the slot nut in slightly.
- Turn by 90°.
 - The slot nut is secured in the Steptec rail.



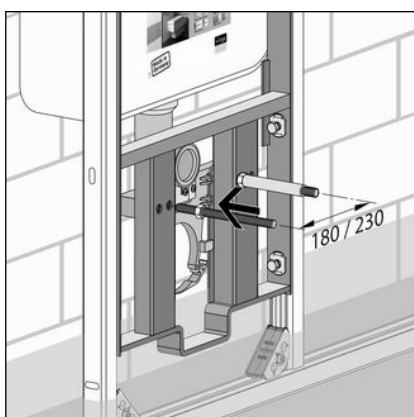
- Align the height of the module in accordance with the cutting check. Whilst doing so, observe the markings on the cistern. The height is 740 mm above UEFFL.



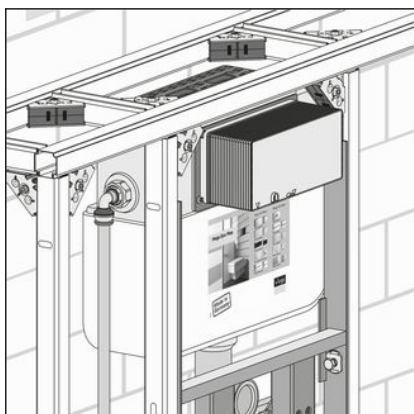
- Tighten the slot nut with a ring spanner (SW 17).
- Tighten the other slot nuts in the same way.
- The module is secured on the rail framework.



- Lock drain elbow in place.
- Secure with the bow.
- The bow can be heard locking into place.



- Screw the threaded bolt into the threaded mount.
- Set threaded bolt:
The interval between both bolts can be set to 180 or 230 mm.



- Install site protection of the flush actuation.

3.2.2 Connecting concealed cistern

Laterally extricable water connection

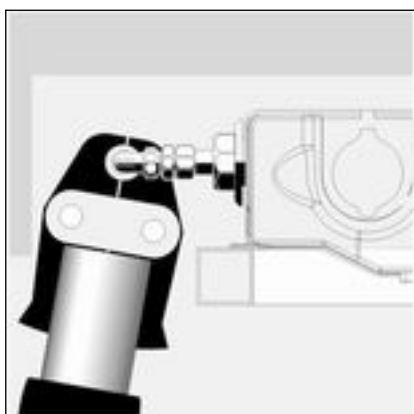
If there is not enough space when pressing the water connection, the water connection can be pulled out to the side.



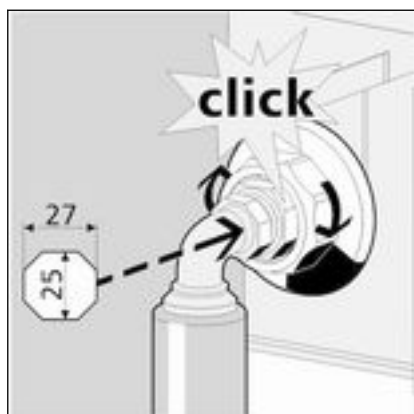
- Screw the ½ inch connector into the wall lead-in.
Counter with a fork spanner (SW 27).



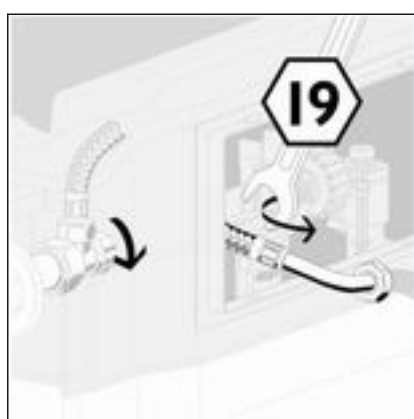
- Loosen plastic union nut.
- Pull out wall lead-in.



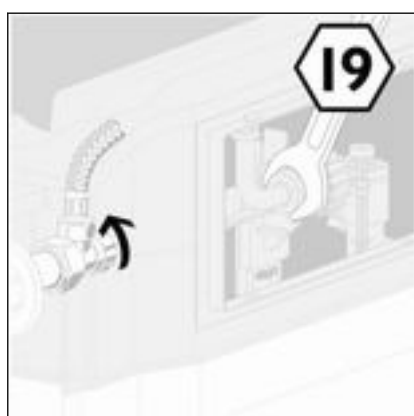
- Press connection.



- Push wall lead-in back into the plastic clamp.
The position of the key surface (SW 25) must be up or down.
The clicking into the groove signals the correct position.
- Re-tighten the union nut.



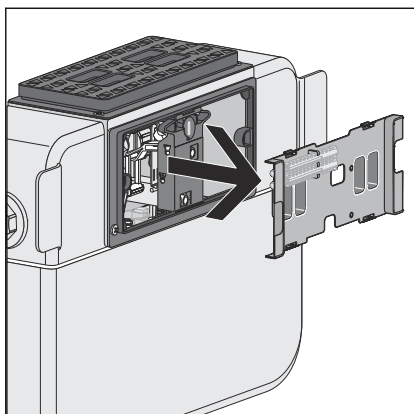
- Loosen (SW 19) flexible hose onto the filling valve.
- Open corner valve.
- Flush pipeline.



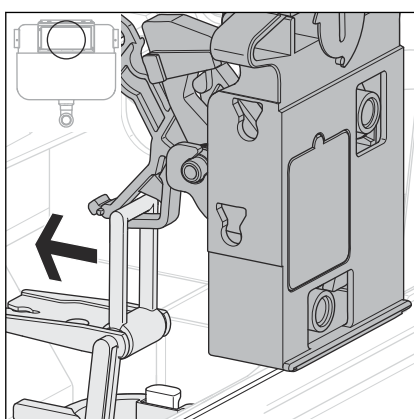
- Close corner valve.
- Re-mount (SW 19) the flexible hose onto the filling valve.

Converting actuation

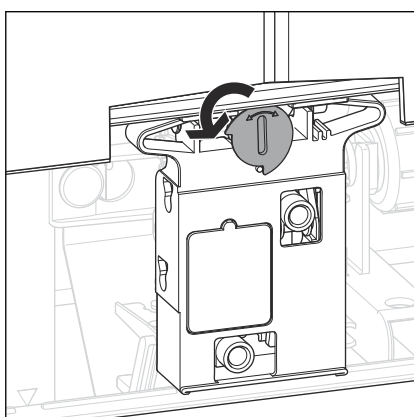
Actuation can take place optionally from the front or the top. The actuation is pre-mounted from the front in delivery condition. To convert actuation from above, proceed as follows:



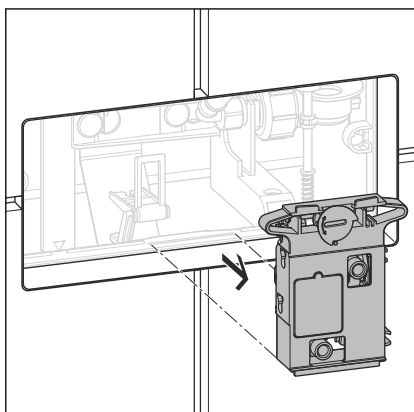
➤ Remove lateral cistern cover.



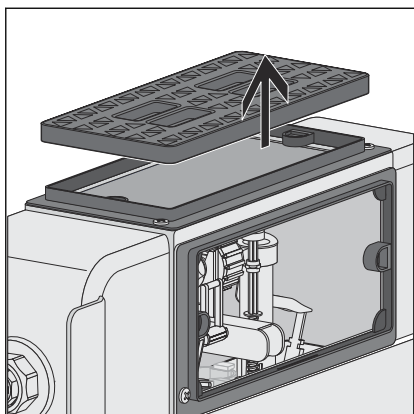
➤ Press the bow backwards from the mounting of the mechanism.



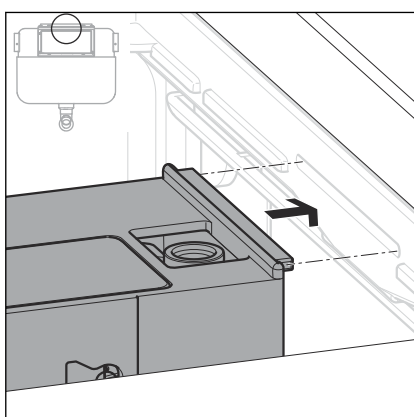
➤ Turn the mechanism's lock by 90° in an anti-clockwise direction.
 □ The mechanism is unlocked and can be removed.



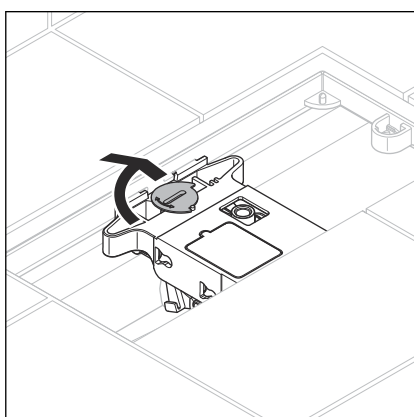
➤ Remove mechanism.



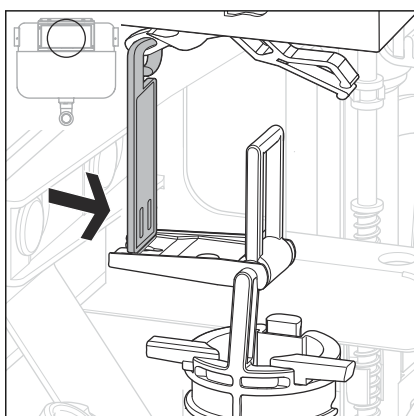
- Remove upper revision cover.



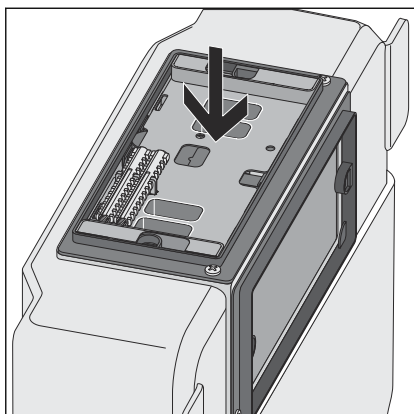
- Insert the mechanism into the cistern from above.
In doing so, ensure that the tracks on the top and bottom edge of the mechanism are in the indentations in the revision shaft of the cistern.



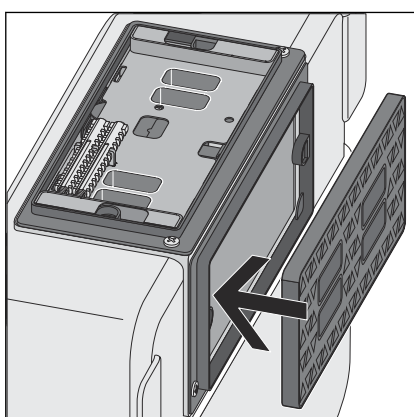
- Turn the mechanism's lock by 90° in a clockwise direction.
□ The mechanism is locked.



- Hang the mechanism in the bow of the drain valve.



- Insert cistern cover from above.

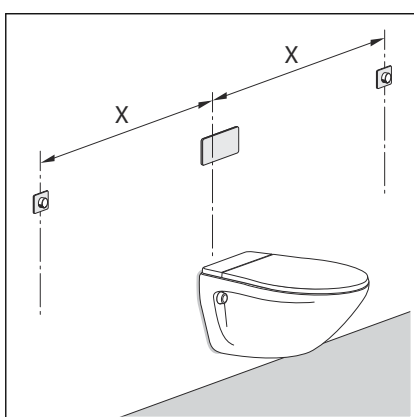


- Insert revision cover from the front.
- Mount revision shaft.
- Install the site protection of the flush actuator from above.

3.2.3 Preparing optional actuation versions

Prepare remote actuation

The corresponding empty pipe (included in the scope of delivery of the remote actuation) is required when preparing the remote actuation Visign for Public1 (model 8326.21).



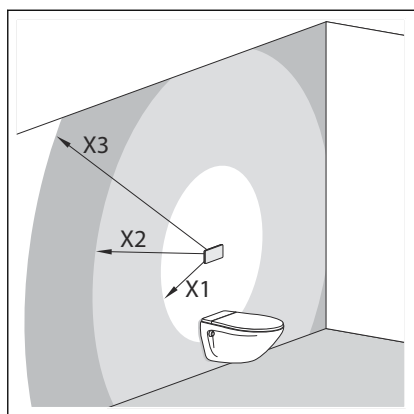
- Lead the empty pipe from the hollow wall socket into the concealed cistern.

Distance from the remote actuation to the cistern (x)

- min. 1.0 m
- max. 1.7 m

Prepare electrical actuation

A corresponding empty pipe (not included in the scope of delivery of the electrical actuation) is required for the preparation of the electrical actuation (model 8350.31 or model 8350.32).

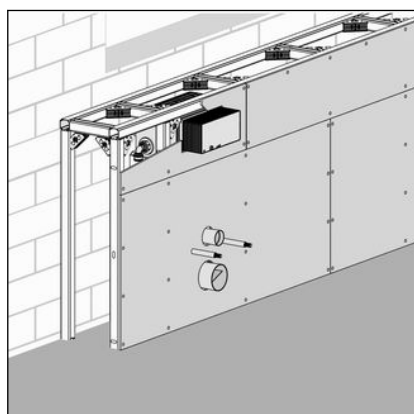


- Lead empty pipe from the switch or button into the concealed cistern, to connect the concealed socket and concealed cistern.

Positioning of the cistern power pack

- X1= max. 0.75 m
- X2= max. 2.75 m with an extension cable, 1 x article number 628 505
- X3= max. 4.75 m with two extension cables, 2 x article number 628 505

3.2.4 Rounding off jobs



- Single clad pre-wall: Clad with 12.5 mm wide IFGP or 12 mm wide Aqua-KS cladding panels.

When doing so, make sure that no abutting edges converge.

- Grout the abutting edges and joints with a suitable filler.
- Observe the instruction manual for the cladding panels for more information.

3.2.5 Setting the flush volume



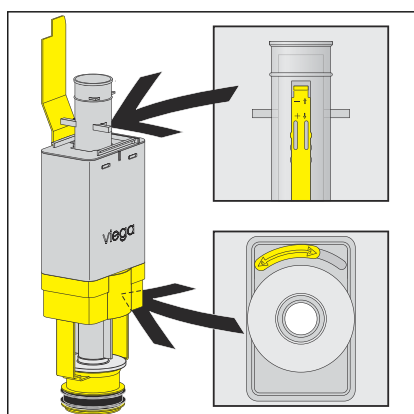
Immediate re-flushing of the flush volume is possible at the factory settings.

Small flush volume

The WC module is factory-set at a small flush volume of approx. 3 l. The small flush volume can be set at three levels: approx. 3 l / 3.5 l / 4 l.

- Remove the drain valve from the concealed cistern.
- Push the slide control on the side of the overflow pipe to the desired small flush volume:
 - Top position: approx. 3 l
 - Middle position: approx. 3.5 l
 - Bottom position: approx. 4 l

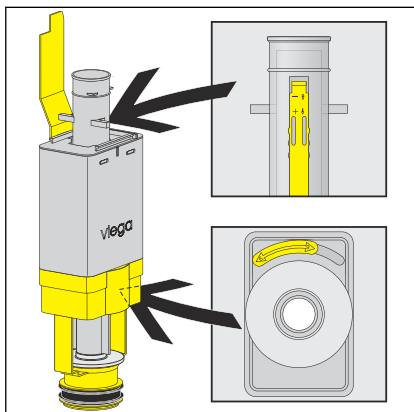
The positions can be identified by the notches.



Large flush volume

The WC module is factory-set at a large flush volume of approx. 6 l. The large flush volume can be set continuously from approx. 6 l up to approx. 9 l.

- Remove the drain valve from the concealed cistern.
- Push the slide control below the drain valve to the desired large flush volume:
 - left: approx. 6 l
 - right: approx. 9 l



3.3 Cleaning and maintenance

Cleaning

Scouring milk and cleaning agents or disinfectants containing the following ingredients may **not** be used:

- alcohol
- ammoniac
- hydrochloric acid
- phosphoric acid
- acetic acid

Cleaning and maintenance of the concealed cistern

In consideration of the mechanical, chemical and physical conditions, the concealed cistern is constantly laden.

For this reason, the components must be cleaned, as required, and the drain and filling valve seals renewed.

In areas or regions with hard water due to calcium or magnesium salts, there is the risk of limescale deposits developing on the inlet and drain valves.

The valves may have to be replaced, depending on the extent of deposits.

3.4 Disposal

Separate the product and packaging materials (e. g. paper, metal, plastic or non-ferrous metals) and dispose of in accordance with valid national legal requirements.



Viega GmbH & Co. KG
service-technik@viega.de
viega.com

INT • 2022-08 • VPN170248

