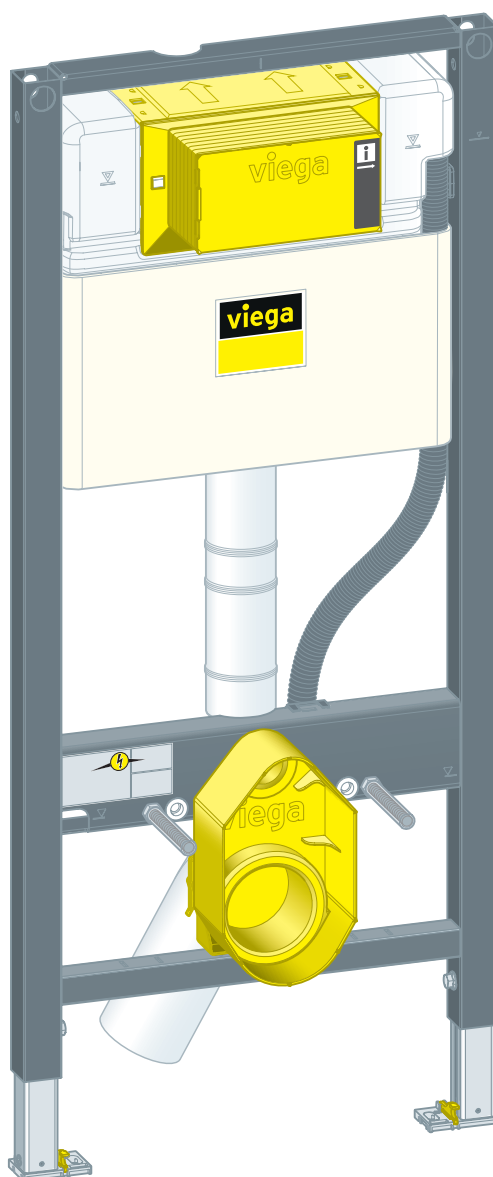


## Instructions for Use

# Prevista Dry WC element with shower WC connection 1120 mm



for WC flush plates for Prevista

**Model**  
8522.36

**Year built (from)**  
05/2020

**viega**

# Table of contents

<b>1</b>	<b>About these instructions for use</b>	<b>3</b>
	1.1 Target groups	3
	1.2 Labelling of notes	3
	1.3 About this translated version	4
<b>2</b>	<b>Product information</b>	<b>5</b>
	2.1 Standards and regulations	5
	2.2 Safety advice	5
	2.3 Intended use	5
	2.3.1 Areas of use	5
	2.4 Product description	6
	2.4.1 Overview	6
	2.4.2 Compatible components	6
	2.4.3 Technical data	7
<b>3</b>	<b>Handling</b>	<b>8</b>
	3.1 Assembly information	8
	3.1.1 Mounting conditions	8
	3.1.2 Installation dimensions	9
	3.2 Assembly	9
	3.2.1 Mounting WC element	9
	3.2.2 Connecting concealed cistern	11
	3.2.3 Mounting the drain elbow	15
	3.2.4 Establish power and water supply (optional)	16
	3.2.5 Set and clad the WC element	17
	3.2.6 Setting the flush volume	18
	3.3 Cleaning and maintenance	21
	3.4 Disposal	21

# 1 About these instructions for use

Trade mark rights exist for this document; for further information, go to [viega.com/legal](http://viega.com/legal).

## 1.1 Target groups

The information in this instruction manual is directed at the following groups of people:

- Heating and sanitary professionals and trained personnel
- Drywall builder

Individuals without the abovementioned training or qualification are not permitted to mount, install and, if required, maintain this product. This restriction does not extend to possible operating instructions.

The installation of Viega products must take place in accordance with the general rules of engineering and the Viega instructions for use.

## 1.2 Labelling of notes

Warning and advisory texts are set aside from the remainder of the text and are labelled with the relevant pictographs.



### **DANGER!**

This symbol warns of possible life-threatening injury.



### **WARNING!**

This symbol warns of possible serious injury.



### **CAUTION!**

This symbol warns of possible injury.



### **NOTICE!**

This symbol warns of possible damage to property.



This symbol gives additional information and hints.

### 1.3 About this translated version

This instruction for use contains important information about the choice of product or system, assembly and commissioning as well as intended use and, if required, maintenance measures. The information about the products, their properties and application technology are based on the current standards in Europe (e.g. EN) and/or in Germany (e.g. DIN/DVGW).

Some passages in the text may refer to technical codes in Europe/Germany. These should serve as recommendations in the absence of corresponding national regulations. The relevant national laws, standards, regulations, directives and other technical provisions take priority over the German/European directives specified in this manual: The information herein is not binding for other countries and regions; as said above, they should be understood as a recommendation.

## 2 Product information

### 2.1 Standards and regulations

The following standards and regulations apply to Germany / Europe and are provided as a support feature.

#### Regulations from section: Fields of application / Mounting conditions

Scope / Notice	Regulations applicable in Germany
Protection area for installation of the power pack in shower and bath rooms	VDE 0100-701

### 2.2 Safety advice



#### **DANGER!** **Danger due to electrical current**

An electric shock can lead to burns and serious injury and even death.

- Work on the electrics may only be carried out by trained electricians.
- Switch off the mains voltage before carrying out work on electrical parts.
- Switch off the mains voltage before connecting the power pack.

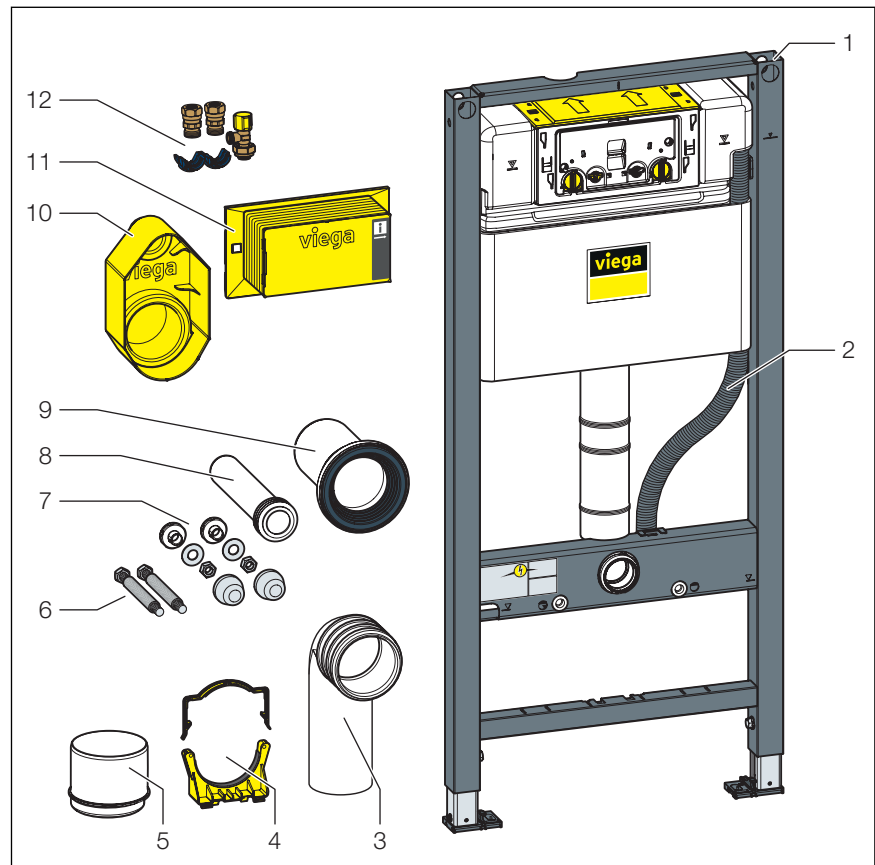
### 2.3 Intended use

#### 2.3.1 Areas of use

The Prevista Dry Plus WC element is designed for mounting in a Prevista Dry Plus pre-wall construction.

## 2.4 Product description

### 2.4.1 Overview



**Fig. 1: Components**

- 1 concealed cistern 3L
- 2 Empty pipe for shower WC connection
- 3 drain elbow
- 4 Holder for drain elbow
- 5 Reducer
- 6 threaded rods for wall-mounted WC  
(gauges for bore hole 180 or 230 mm)
- 7 Mounting set for WC ceramic
- 8 flushing pipe
- 9 WC connection socket with lip seal
- 10 Protective plug for flushing pipe elbow
- 11 Revision shaft cover
- 12 Corner valve

### 2.4.2 Compatible components

The WC element is compatible with all common WC ceramics, even with larger projection (barrier-free).

### 2.4.3 Technical data

#### Flush volume

<b>Small flush volume</b>	Factory setting	approx. 3 l
	setting range	approx. 2–4 l
<b>Large flush volume</b>	Factory setting	approx. 6 l
	setting range	approx. 3.5–7.5 l

#### Water pressure

<b>Water pressure min.</b>	15 kPa (0.15 bar)
<b>Water pressure max.</b>	1000 kPa (10 bar)


## 3 Handling

### 3.1 Assembly information

#### 3.1.1 Mounting conditions

##### Suitable walls

- Prevista Dry Plus pre-wall constructions

The wall constructions must comply with the regulations in section  „Regulations from section: Fields of application / Mounting conditions“ on page 5.

The WC element may only be mounted on even wall surfaces.

##### Construction height

With the construction height, the marked height of the upper edge of the finished floor must be observed.

##### Actuation versions

The WC element can be extended by a remote flush actuation or by an electronic actuation, as well as by sensitive flush plates. The cables for these electrical actuation versions must be laid in front of the cladding.

The corresponding empty pipe is required when preparing the remote flush actuation.



### 3.1.2 Installation dimensions

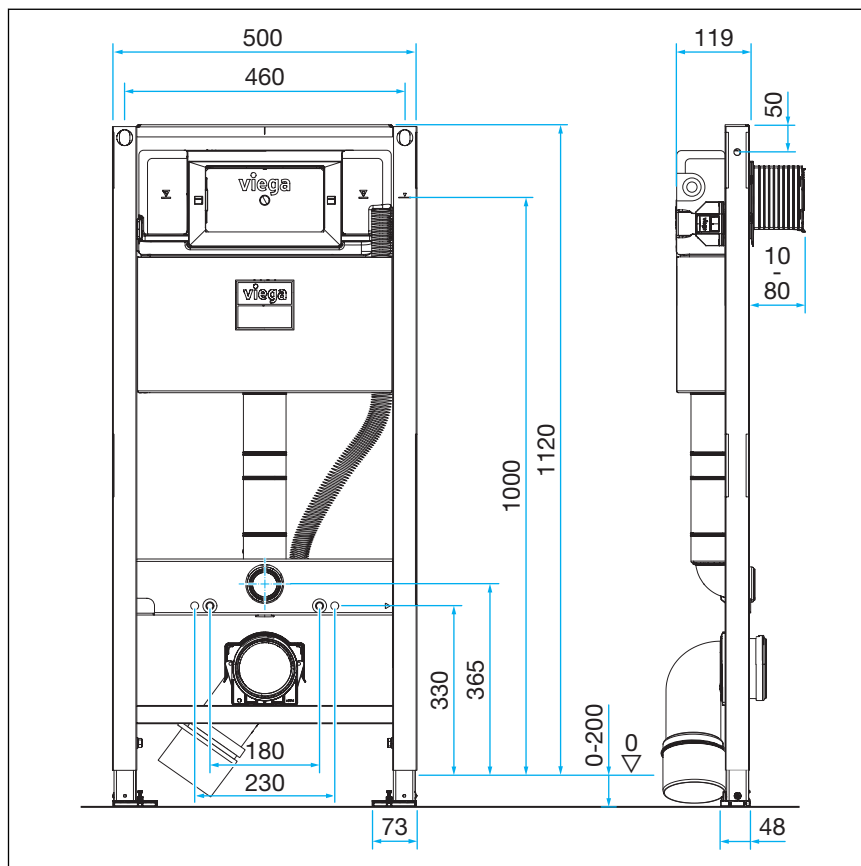


Fig. 2: Dimensional drawing

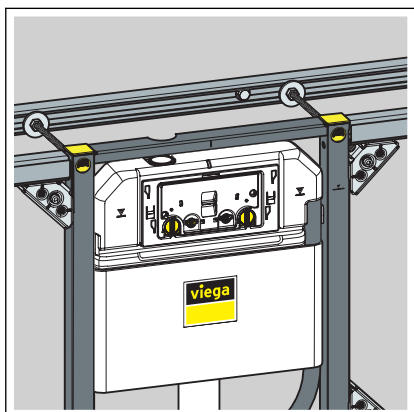
## 3.2 Assembly

### 3.2.1 Mounting WC element

#### Mounting in Prevista Dry Plus

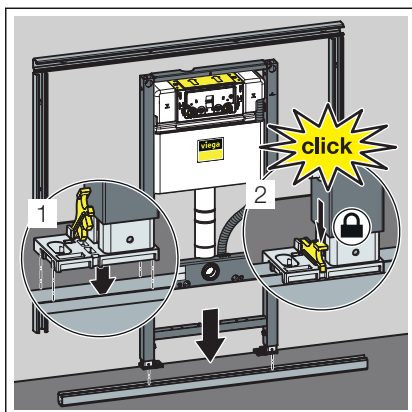


Mount the Prevista Dry Plus pre-wall construction pursuant to the instructions for use of the Prevista Dry Plus system.

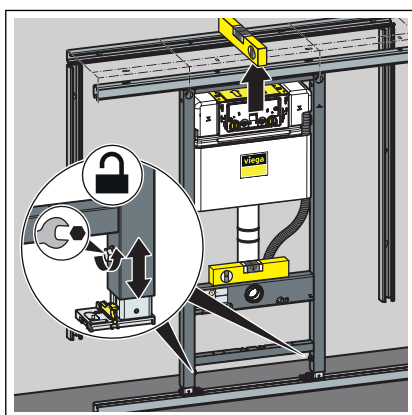


#### NOTICE!

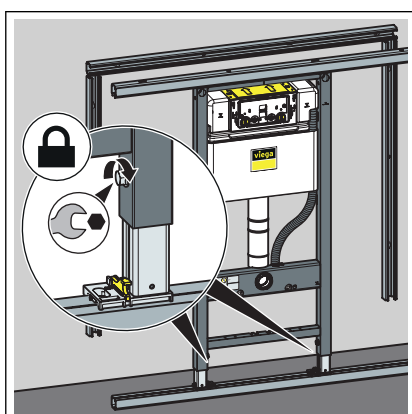
When mounting without a continuous rail above the element, the Prevista Dry Plus fixing set (model 8570.49) must also be used. See example with WC element model 8521.



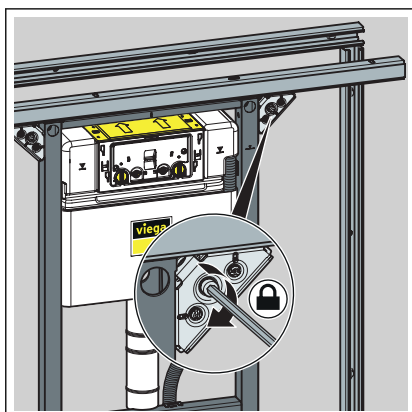
- Position the element on the floor rail.
- Fix the feet on the floor rail using the clips.



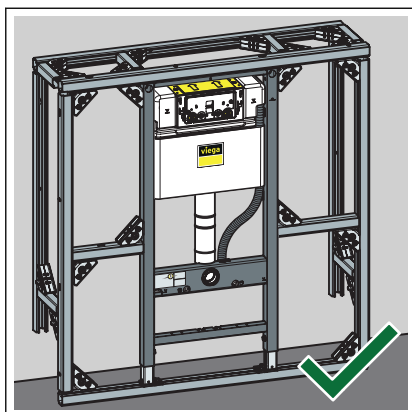
- Set the height of the element by means of the feet.



- Fix the feet by means of the adjusting screw.

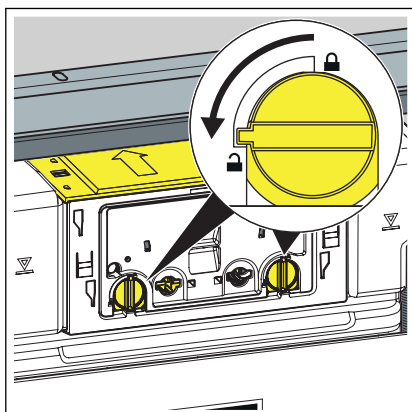


- Fix the element with the Prevista Dry Plus rail connectors.

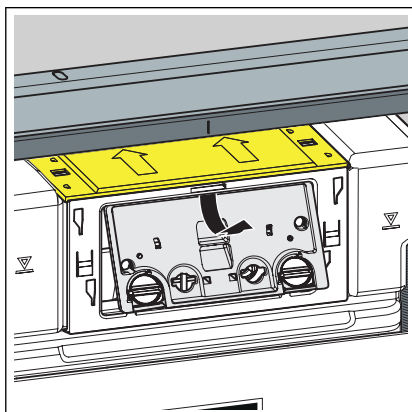


- The WC element is fixed in the Prevista Dry Plus pre-wall construction.

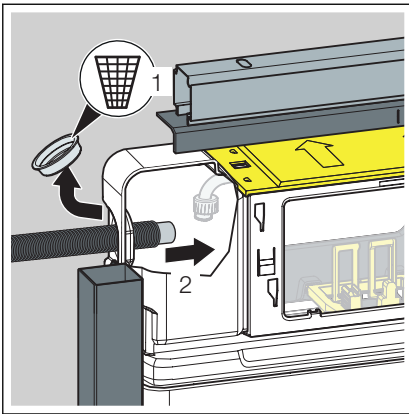
### 3.2.2 Connecting concealed cistern



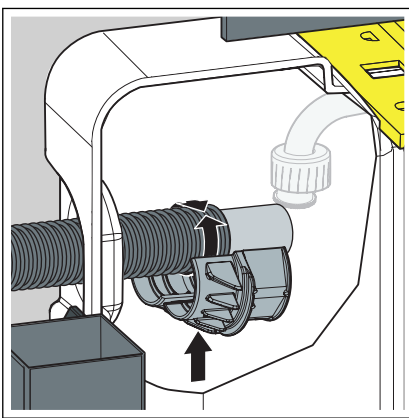
- ▣ Turn the cover plate lock 90° in anti-clockwise direction.



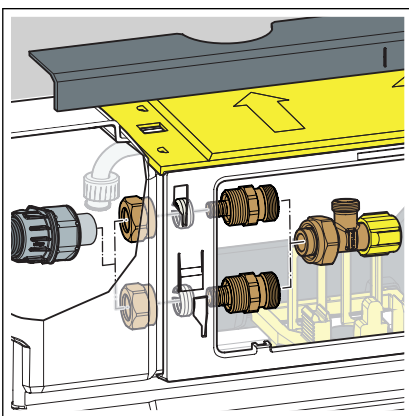
- ▣ Remove the cover plate.



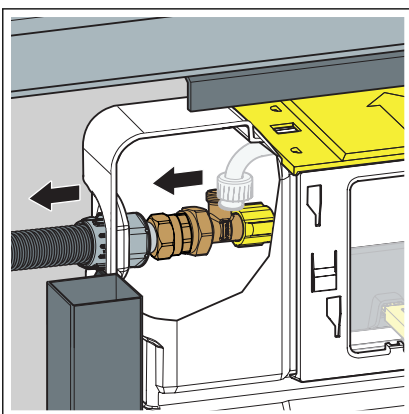
- Remove the plug.
- Insert an empty pipe.



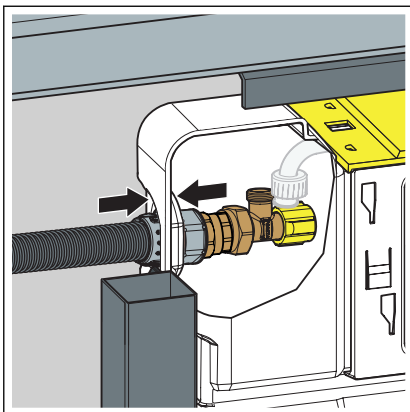
- Fasten the empty pipe in the cistern.



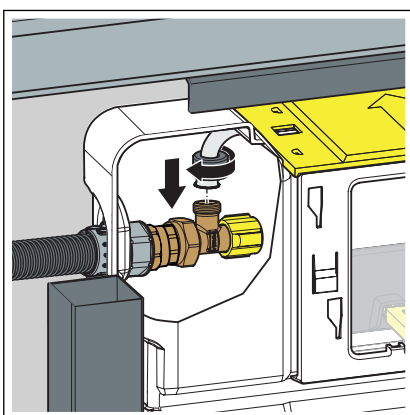
- Mount the screw fittings.



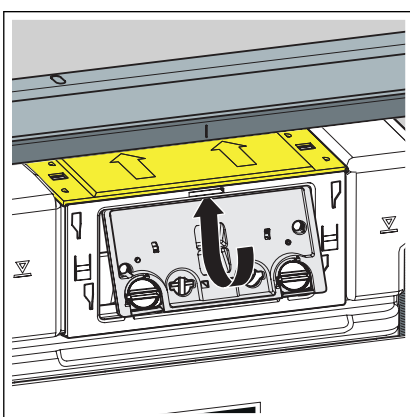
- Mount the corner valve.



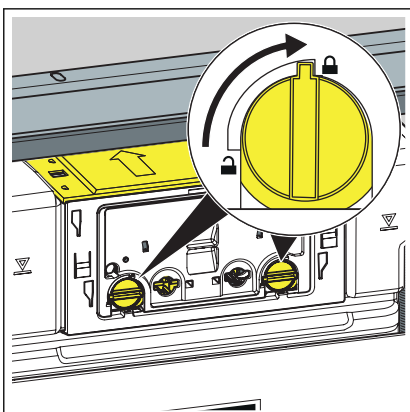
► Fasten the corner valve.



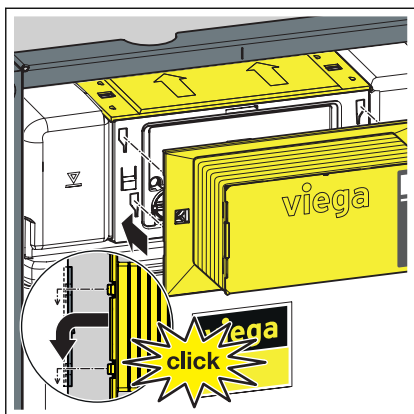
► Connect the corner valve.



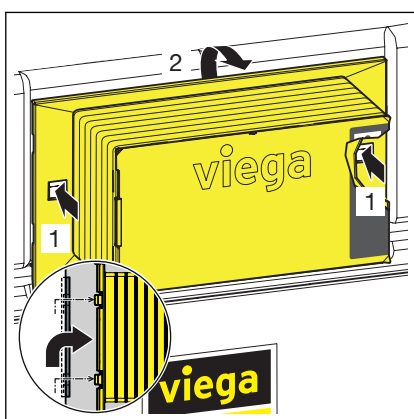
► Insert the cover plate into the cistern.



► Turn the cover plate lock by 90° in a clockwise direction.

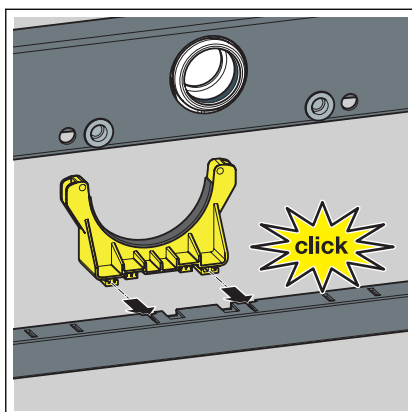


► Place the revision shaft on the cover plate.

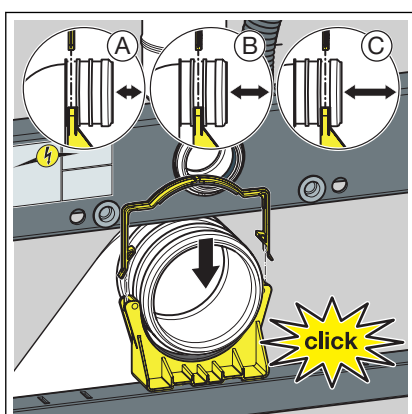


To remove the revision shaft, press in the fixing clips at the side.

### 3.2.3 Mounting the drain elbow

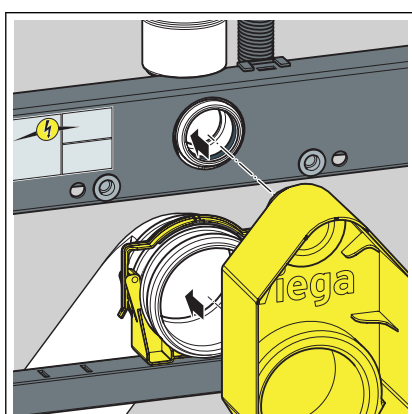


➤ Insert the mounting bracket for the drain elbow.



➤ Insert the drain elbow to the desired depth.

➤ Fasten the drain elbow using the bow.



➤ Fit the site protection.

### 3.2.4 Establish power and water supply (optional)



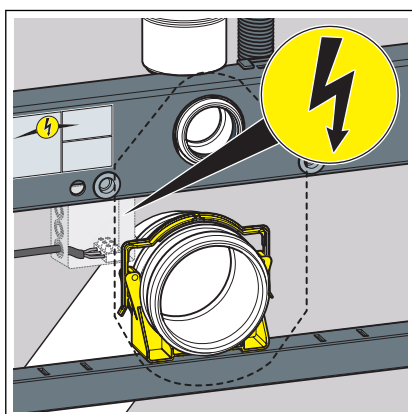
#### **DANGER!** **Danger due to electrical current**

An electric shock can lead to burns and serious injury and even death.

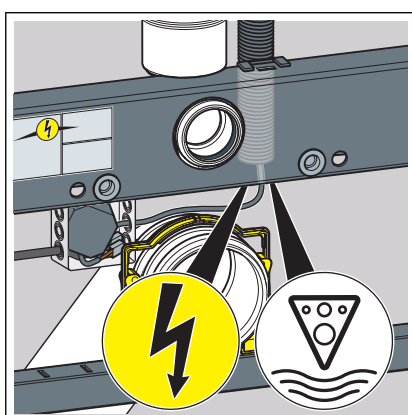
- Work on the electrics may only be carried out by trained electricians.
- Switch off the mains voltage before carrying out work on electrical parts.
- Switch off the mains voltage before connecting the power pack.



The power pack can be positioned anywhere in a cavity socket.



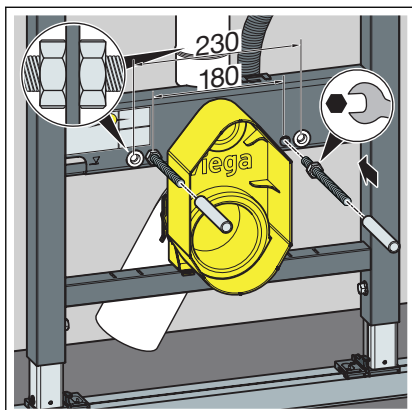
- Lay the power supply for an electric flush plate up to the cavity wall socket.



- Lay the power pack cable for an electric flush plate through the empty pipe.
- Lay the water pipe for a shower WC through the empty pipe.



### 3.2.5 Set and clad the WC element

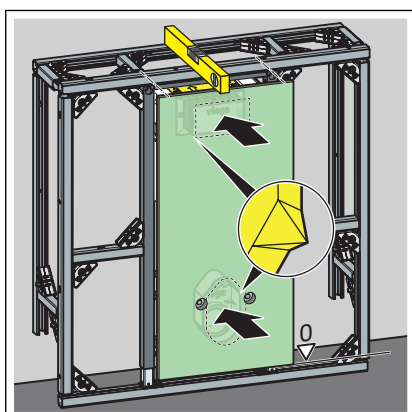


- Turn in the threaded rods by hand.

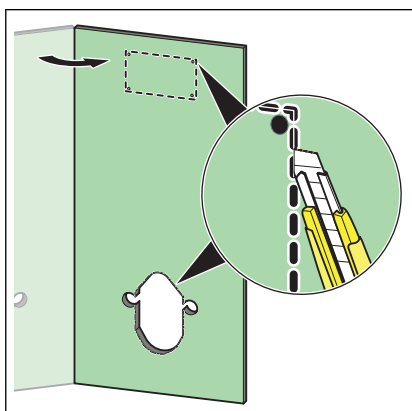
For 180 mm gauge for bore hole: Counter the threaded rods in front of the element with a nut.

For 230 mm gauge for bore hole: Counter the threaded rods in front of and after the element with a nut.

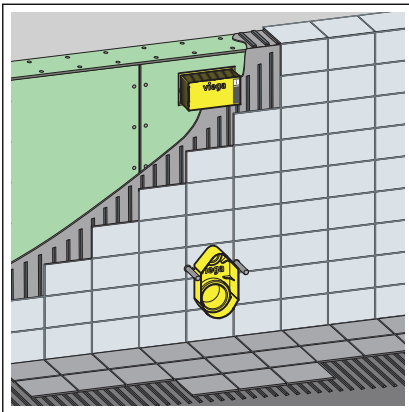
- Place the protective caps on the threaded rods.



- Corn a suitable gypsum cladding panel at the revision shaft and at the site protection by applying gentle pressure.



- Cut out the recesses for the site protection, the revision shaft and the threaded rods.



- Clad the element with suitable gypsum cardboard cladding panels.

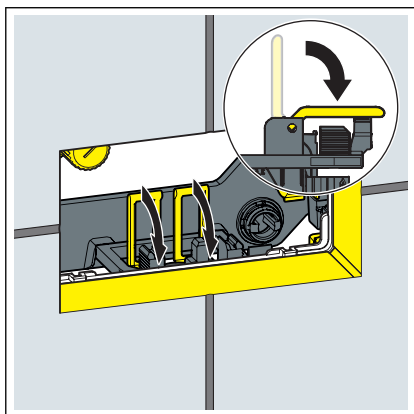
### 3.2.6 Setting the flush volume



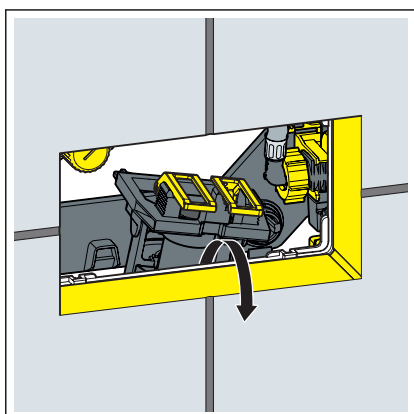
For an electronic flush actuation, the small flush volume must be set to 2 litres.

Requirements:

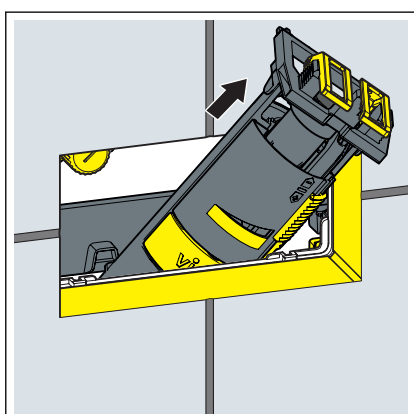
- The cistern is freely accessible.
- The water supply has been shut off.
- The ceramic has been mounted.
- Fold the tabs forward.

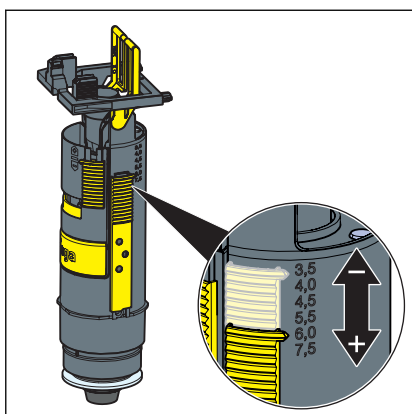


- Lift the drain valve.

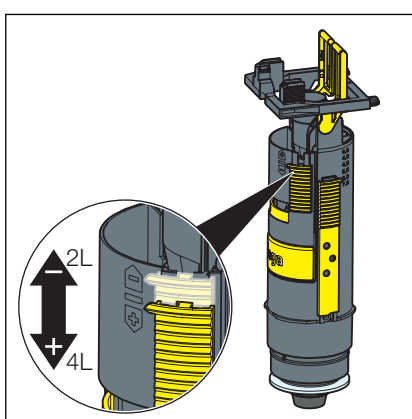


- Remove the drain valve through the revision opening.





➤ Set the large flush volume at the drain valve.

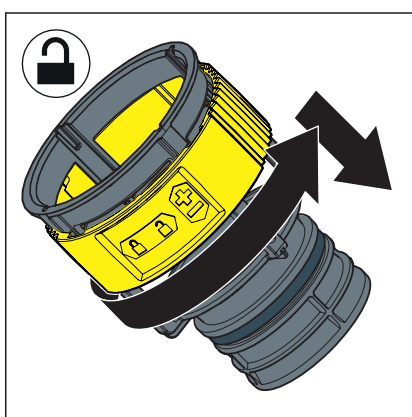


➤ Set the small flush volume at the drain valve.

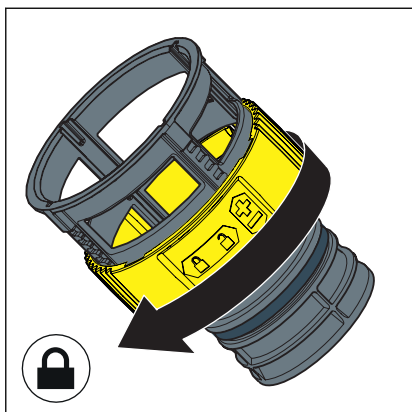
### Setting the flush flow

Requirements:

- The drain valve has been dismantled.
- The flushing throttle has been removed.



- Unlock the flushing throttle.
- Set the flush flow at the throttle.



► Lock the flushing throttle.

### 3.3 Cleaning and maintenance

#### Cleaning and maintenance of the concealed cistern

The concealed cistern is constantly under mechanical, chemical, and physical stress. For this reason, the components must be cleaned as required, and the drain and filling valve seals renewed.

In areas or regions with hard water due to high concentration of calcium or magnesium salts, there is the risk of limescale deposits developing on the inlet and drain valves. The valves may have to be replaced, depending on the extent of the deposits.

### 3.4 Disposal

Separate the product and packaging materials (e. g. paper, metal, plastic or non-ferrous metals) and dispose of in accordance with valid national legal requirements.



**Viega Technology GmbH & Co. KG**

[service-technik@viega.de](mailto:service-technik@viega.de)

[viega.com](http://viega.com)

INT • 2020-07 • VPN200209

