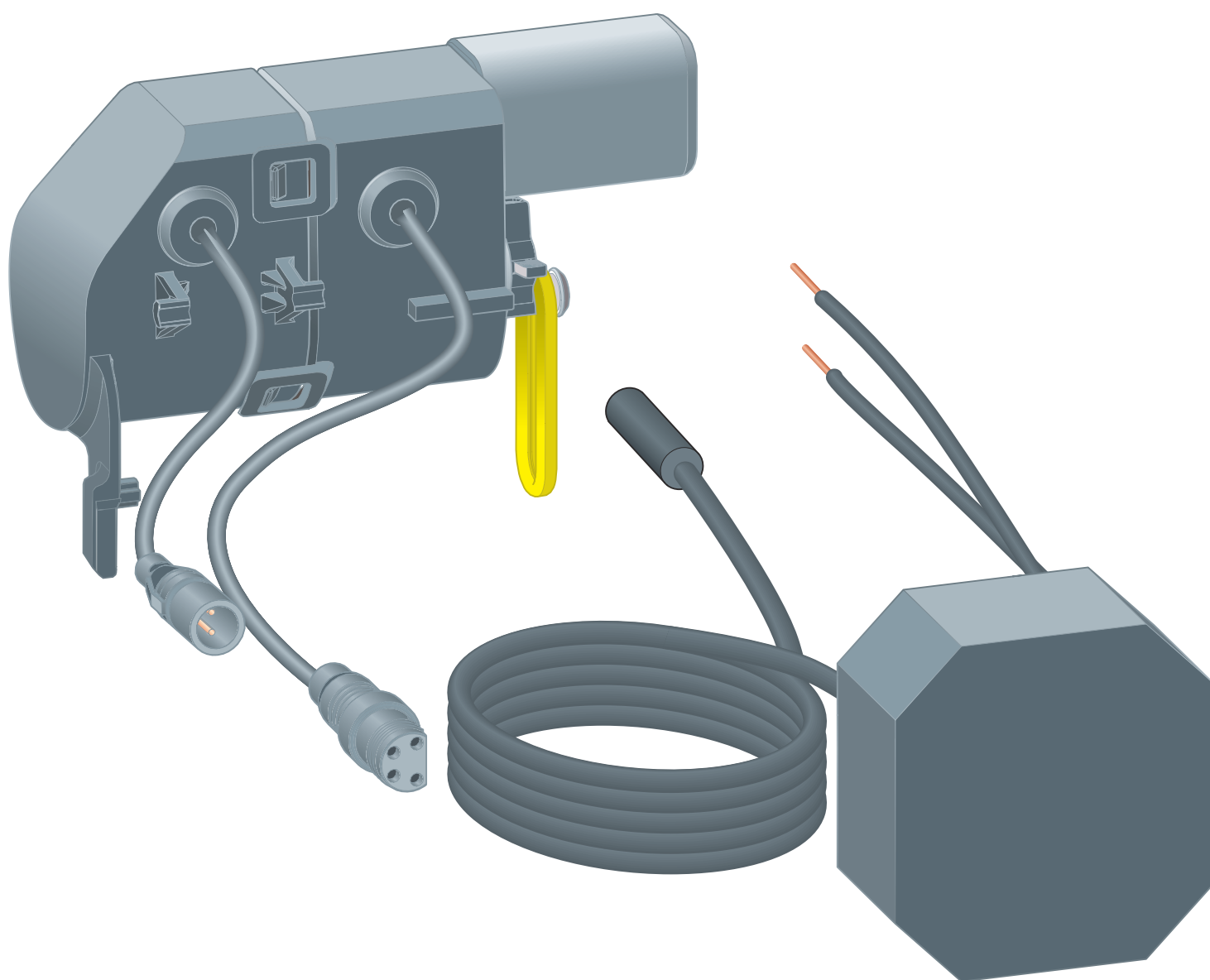


Instructions for Use

Accessory set electronic



for WC flush plates for Prevista electronic

Model
8655.11

Year built (from)
03/2019

viega

Table of contents

1	About these instructions for use	3
	1.1 Target groups	3
	1.2 Labelling of notes	3
	1.3 About this translated version	4
2	Product information	5
	2.1 Standards and regulations	5
	2.2 Safety advice	5
	2.3 Intended use	5
	2.3.1 Areas of application	5
	2.4 General notes	6
	2.5 Product description	7
	2.5.1 Overview	7
	2.5.2 Technical data	8
	2.5.3 Connection diagram	8
	2.6 Accessories	9
3	Handling	10
	3.1 Assembly information	10
	3.1.1 Mounting conditions	10
	3.1.2 Required material and tools	11
	3.2 Assembly	12
	3.2.1 Setting the flush	12
	3.2.2 Mounting with flush plate in front position	15
	3.2.3 Mounting with flush plate in top position	19
	3.3 Errors, faults and remedy	24
	3.4 Disposal	25

1 About these instructions for use

Trade mark rights exist for this document; for further information, go to viega.com/legal.

1.1 Target groups

The information in this instruction manual is directed at the following groups of people:

- Heating and plumbing experts and trained personnel
- Qualified electricians

Individuals without the abovementioned training or qualification are not permitted to mount, install and, if required, maintain this product. This restriction does not extend to possible operating instructions.

The installation of Viega products must take place in accordance with the general rules of engineering and the Viega instructions for use.

1.2 Labelling of notes

Warning and advisory texts are set aside from the remainder of the text and are labelled with the relevant pictographs.



DANGER!

This symbol warns of possible life-threatening injury.



WARNING!

This symbol warns of possible serious injury.



CAUTION!

This symbol warns of possible injury.



NOTICE!

This symbol warns of possible damage to property.



This symbol gives additional information and hints.

1.3 About this translated version

This instruction for use contains important information about the choice of product or system, assembly and commissioning as well as intended use and, if required, maintenance measures. The information about the products, their properties and application technology are based on the current standards in Europe (e.g. EN) and/or in Germany (e.g. DIN/DVGW).

Some passages in the text may refer to technical codes in Europe/Germany. These should serve as recommendations in the absence of corresponding national regulations. The relevant national laws, standards, regulations, directives and other technical provisions take priority over the German/European directives specified in this manual: The information herein is not binding for other countries and regions; as said above, they should be understood as a recommendation.

2 Product information

2.1 Standards and regulations

The following standards and regulations apply to Germany / Europe and are provided as a support feature.

Regulations from section: Fields of application / Mounting conditions

Scope / Notice	Regulations applicable in Germany
Protection area for installation of the mains adapter in shower and bath rooms	VDE 0100-701

Regulations from section: Technical data

Scope / Notice	Regulations applicable in Germany
Electrical approvals	EN 60950
Electrical approvals	EN 60335
Electrical approvals	EN 61558

2.2 Safety advice



DANGER! **Danger due to electrical current**

An electric shock can lead to burns and serious injury and even death.

- Work on the electrical system may only be carried out by trained electricians.
- Switch off the mains voltage before connecting the power pack.

2.3 Intended use

2.3.1 Areas of application




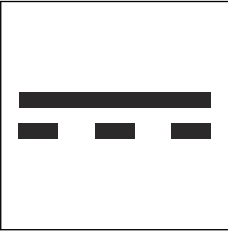
The electronic accessory set is required for the power supply and the control of electronic WC flush plates for Prevista.

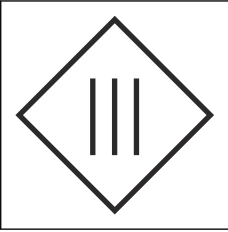
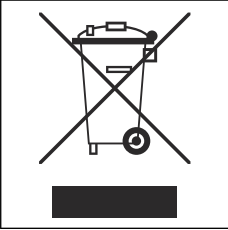
2.4 General notes

- If you notice any damage on the product or individual components, do not carry out a repair. Instead, have the product replaced by qualified personnel.
- This product is not intended for use by persons (including children) with restricted physical, sensory or mental aptitude or lack of experience and/or knowledge.
- Make sure that children do not play with this product.
- A disconnect device with a contact opening width that fulfils the conditions of overvoltage category III for full separation in accordance with the installation requirements must be installed at each terminal of the fixed electrical installation.

Symbols

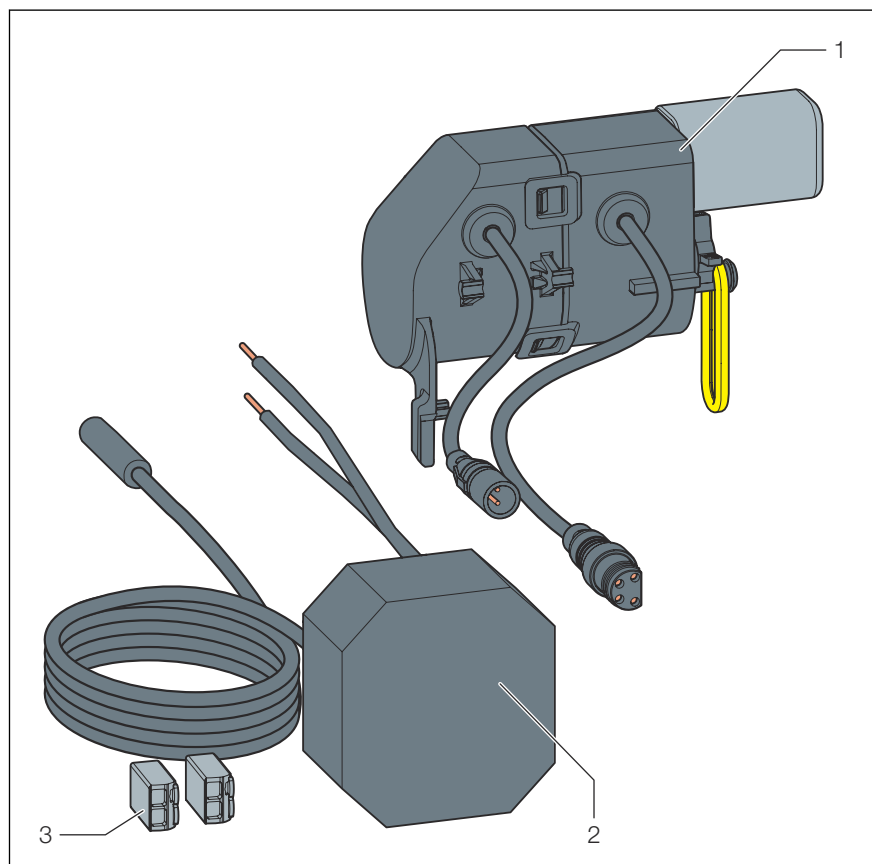
Observe the symbol listed on the label:

Symbol	Description
	CE marking, Product Safety in Europe
	EAC marking, registration of products in the territory of the Customs Union
	UKCA mark, product safety in Great Britain (England, Wales and Scotland)
	Direct current

Symbol	Description
	Protection class III
	The marked product must not be disposed of as household waste.

2.5 Product description

2.5.1 Overview



- 1 Electronic drive unit
- 2 Mains adapter
- 3 Terminal

2.5.2 Technical data

Electronics

Input (mains adapter)	100–240 V AC, 50–60 Hz, 100 mA
Output (mains adapter)	6.5 V DC, 800 mA



Electrical approvals see section [↗](#) 'Regulations from section: Technical data' on page 5.

Voltage and current

Motor

Voltage [V]	Current [mA]
6.5	500

2.5.3 Connection diagram

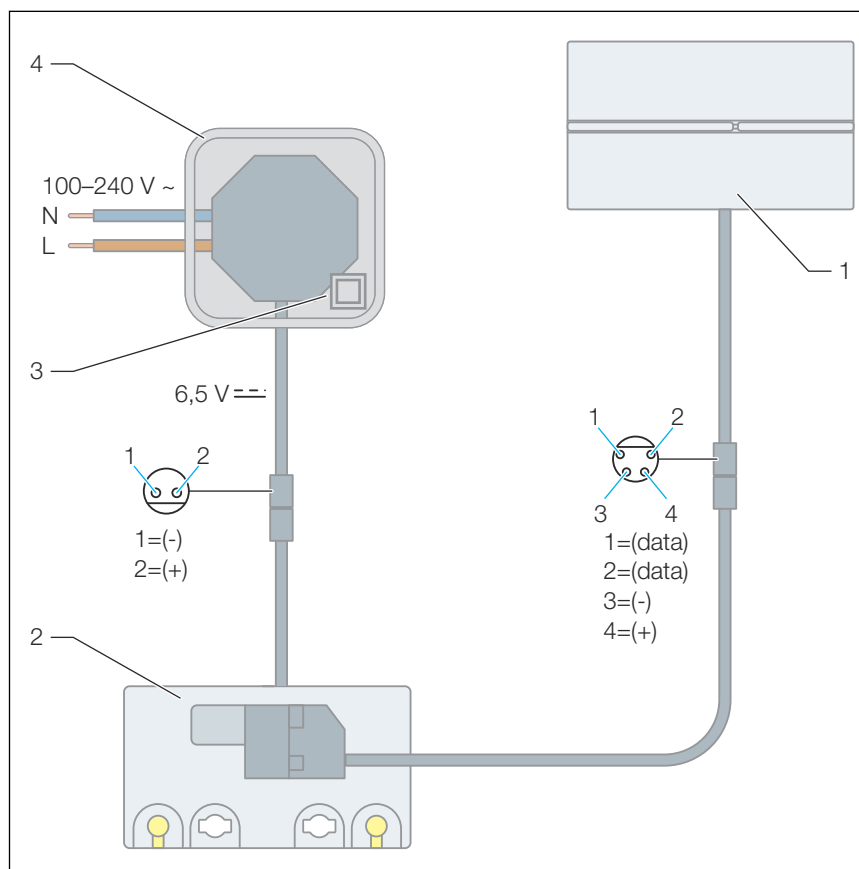
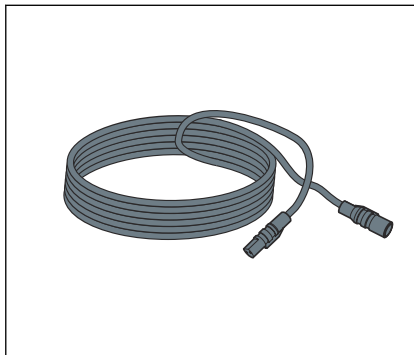


Fig. 1: Connection diagram, power pack, WC flush plate for Prevista

- 1 WC flush plate for Prevista
- 2 Electronic drive unit
- 3 Power pack
- 4 Plastic branch protection class II

2.6 Accessories

Optional accessories

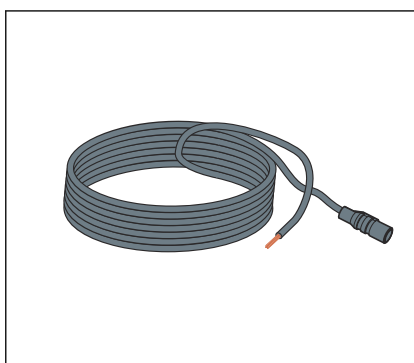


Extension cable (model 8352.690)

2 metre cable for the extension of the power supply.



Use a maximum of two extension cables with the mains adapter (4.75 meter total length).



Connection cable (model 8570.55)

3-meter cable for external flush actuation with on-site and commercially available buttons with closing function or potential-free contact (closing period 350 ms).



Plug (model 8655.12)

Protects the connection cable when the electronic accessory set is used with a manual (non-electronic) WC flush plate.

3 Handling

3.1 Assembly information

3.1.1 Mounting conditions

Installation position of the power pack

The power pack should be mounted in an easily accessible place to allow subsequent access.

Before beginning to clad, a concealed socket should be installed for the power pack with empty pipe to the cistern (installation set ↗ 'Optional accessories' on page 9).

If necessary, the power pack cable can be extended to a length of 4.75 metres (two extension cables ↗ 'Optional accessories' on page 9).

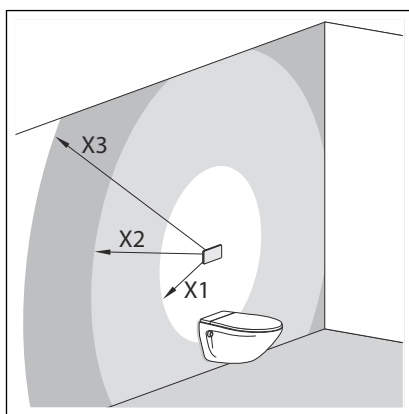


Fig. 2: Installation position of the power pack

X1 max. 0.75 m

X2 max. 2.75 m with an extension cable (article number 628 505)

X3 max. 4.75 m with two extension cables (article number 628 505)



An extension of the mains supply by more than 5 metres can lead to a situation in which the power is not sufficient to actuate the flush.

Protected zone

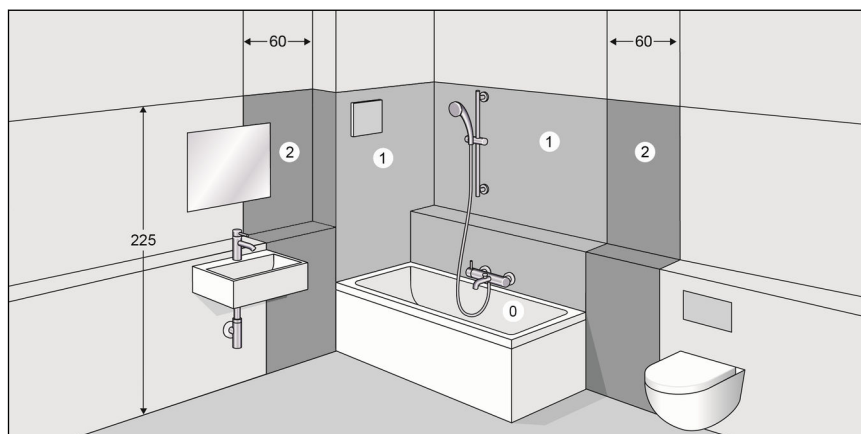


Fig. 3: Protected zones

According to the applicable regulations, installation of the power pack in the protected zones 0 and 1 of shower rooms and bathrooms is not permitted, see ⚡ *'Regulations from section: Fields of application / Mounting conditions'* on page 5.

Viega recommends installing the power pack outside of the protected zones 0-2.

3.1.2 Required material and tools

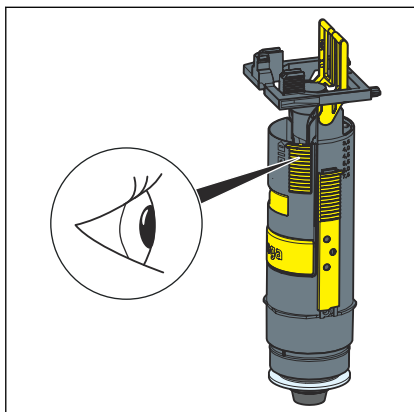
Material

The following material is required for mounting:

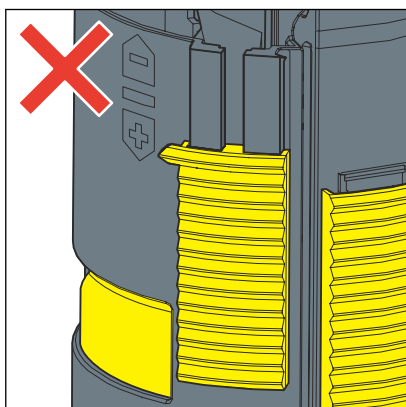
- if necessary, empty pipe from power pack into the cistern

3.2 Assembly

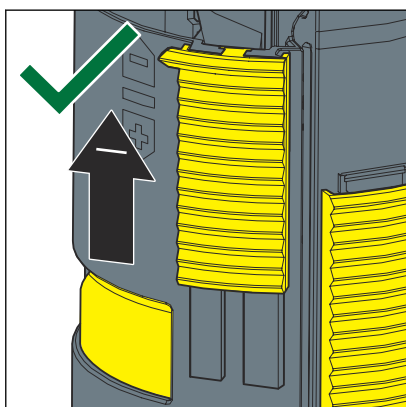
3.2.1 Setting the flush



The smallest possible flush volume must be set at the drain valve in the cistern.



- The small flush volume is set incorrectly.



- The small flush volume is set correctly.



NOTICE! Damage due to moisture

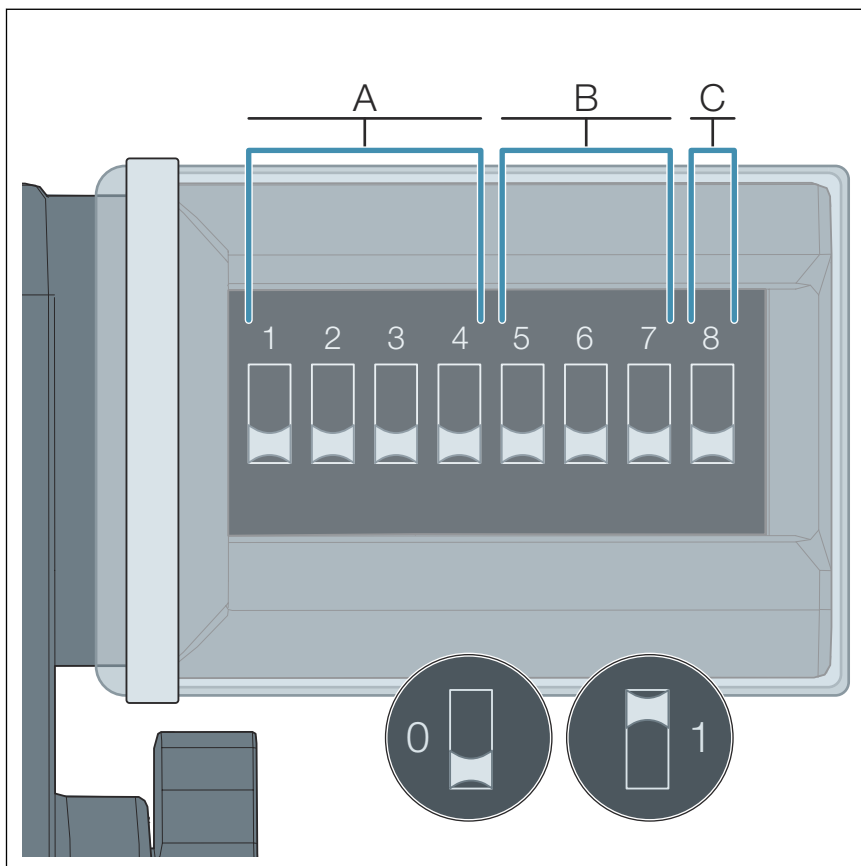
Risk of damage to the drive unit if moisture penetrates.

- Do not remove the protective cover of the DIP switches.

The flush volume is set via the DIP switch of the drive unit.



Make the settings only in the currentless (unconnected) state.



- A Setting the flush volume
- B Interval of the Hygiene function
- C Setting the flush volume of the Hygiene function
- 0 DIP switch position: OFF
- 1 DIP switch position: ON

The assignment of the DIP switches:

- Switches 1-4 define the flush volume.
- Switches 5-7 define the interval of the Hygiene function.
- Switch 8 defines the flush volume of the Hygiene function.



The set interval of the hygiene function is only reset by triggering the bulk flush.

Setting the flush volumes (A)

Program no.	Large flush volume (in litres)	Small flush volume (in litres)	Position of switches 1—4			
			1	2	3	4
Program 0 (factory setting)	6	3	0	0	0	0
Program 1	3.5	2	0	0	0	1
Program 2	4.5	2	0	0	1	0
Program 3	6	2	0	0	1	1
Program 4	7.5	2	0	1	0	0
Program 5	3.5	3	0	1	0	1
Program 6	4.5	3	0	1	1	0
Program 7	7.5	3	0	1	1	1
Program 8	4.5	4	1	0	0	0
Program 9	6	4	1	0	0	1
Program 10	7.5	4	1	0	1	0

Enabling the Hygiene function and setting the intervals (B)

Interval (in hours)	Position of switches 5—7		
	5	6	7
Switched off	0	0	0
1	0	0	1
12	0	1	0
24	0	1	1
72	1	0	0
168	1	0	1

Setting the flush volume of the Hygiene function (C)

Flush volume (in litres)	Position of switch 8
3	0
7.5	1

3.2.2 Mounting with flush plate in front position



DANGER! **Danger due to electrical current**

An electric shock can lead to burns and serious injury and even death.

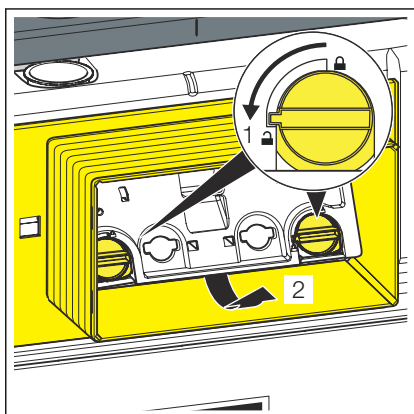
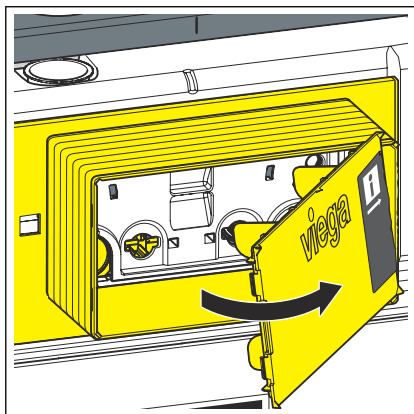
- Only allow electrical work to be carried out by qualified electricians.
- Always de-energise the connection cable before work is commenced.



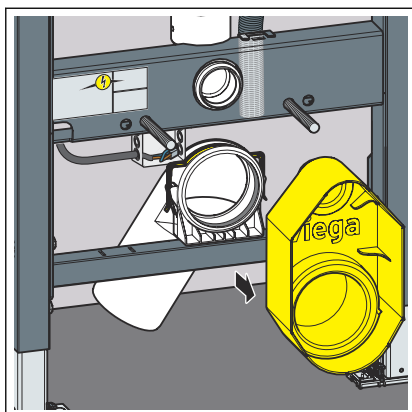
Observation of the prescribed connection sequence is required. The power supply must always be connected last, to ensure that all of the connected components function.

Requirements:

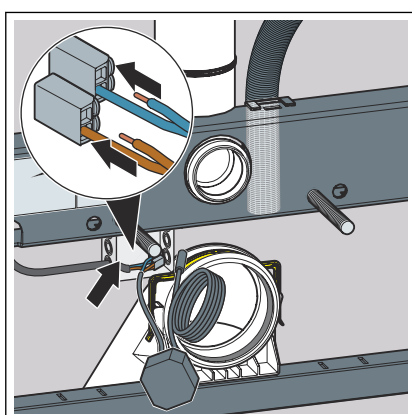
- A 230 V mains connection is available on site.
- The installation position of the mains adapter complies with the requirements in acc. with *Chapter 3.1.1 'Mounting conditions' on page 10.*
- The connection cable is de-energised.
- Remove the shaft cover.



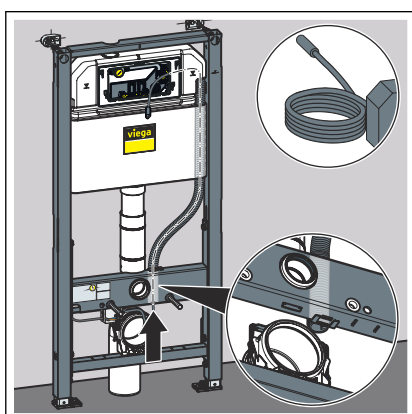
- Turn the site protection panel lock 90° anti-clockwise.
- Remove the site protection panel.



- Remove the site protection.

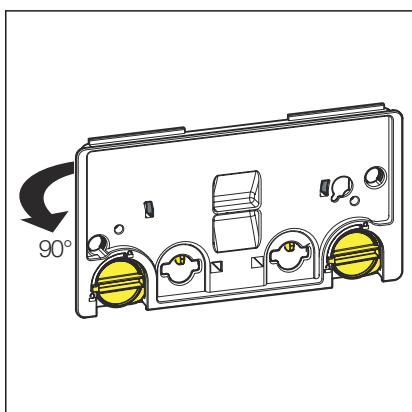


- Put the mains adapter in place.
- Remove approx. 1 cm of the insulation on the cables.
- Push the cables into the terminals.

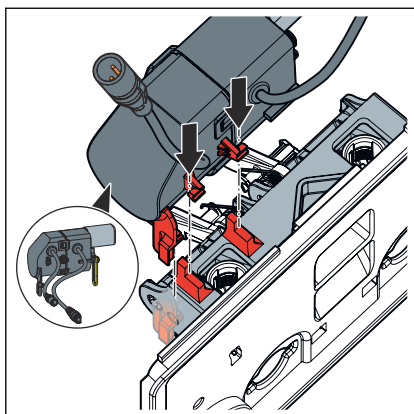


INFO! Use the cable feedthrough.

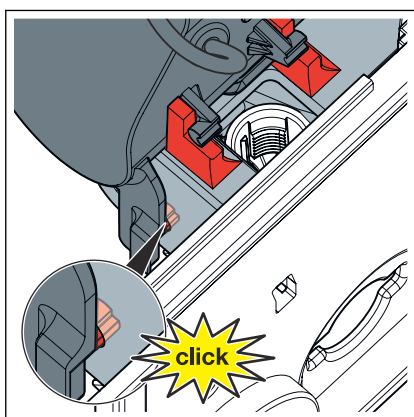
- Route the connection cable from the mains adapter through the conduit pipe into the cistern.
- Guide the connection cable out through the cistern.



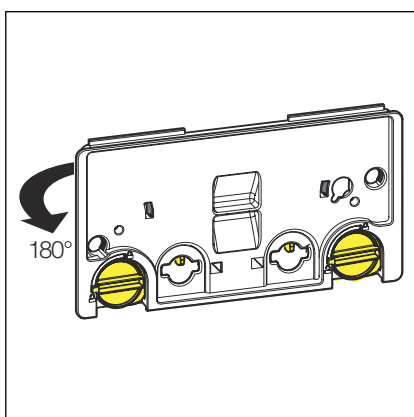
- Turn the site protection panel by 90°.



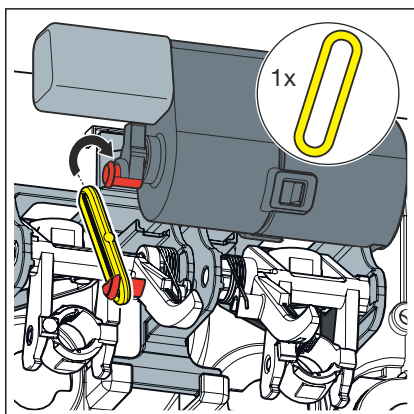
► Place the drive unit on the rear of the site protection panel.



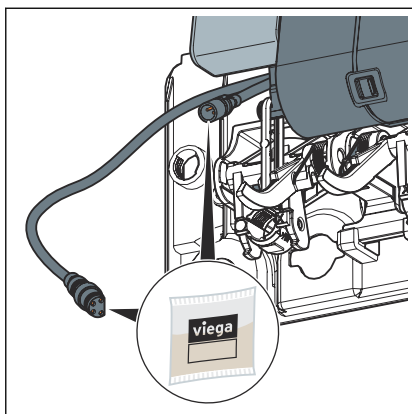
► Let the drive unit engage in the mechanism.



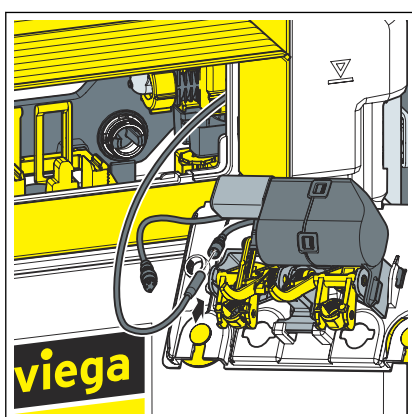
► Turn the site protection panel by 180°.



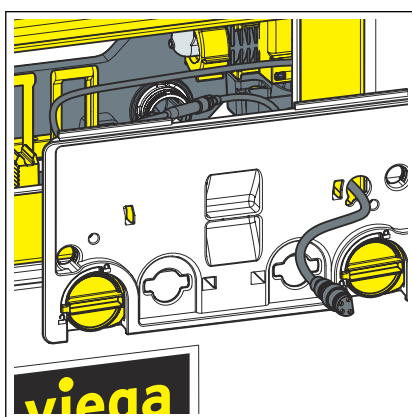
► Connect the bow of the mechanism and the drive unit to the eye.



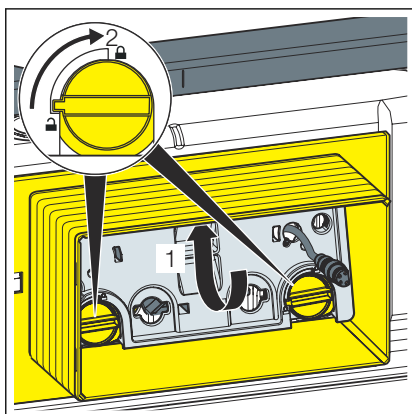
- Apply the silicon grease to all drive unit connections.



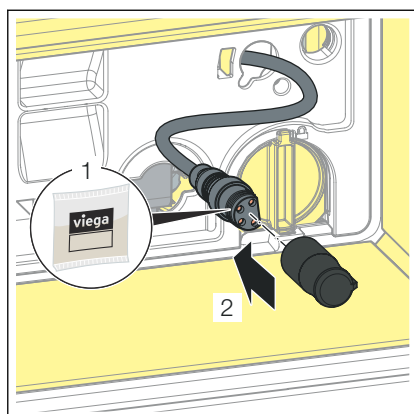
- To establish the power supply, connect the short cable of the drive unit to the mains adapter.



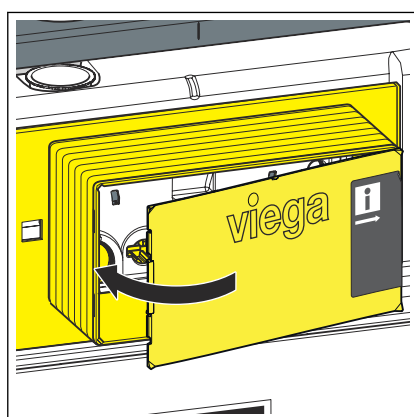
- Guide the long cable of the drive unit forward through the site protection panel.
- Insert the site protection panel into the cistern.



- Turn the site protection panel's lock by 90° clockwise.



- Grease the connection cable.
- Insert the plug into the connection cable.



- Insert the shaft cover.
- ◻ The drive unit has been mounted.

3.2.3 Mounting with flush plate in top position



DANGER! **Danger due to electrical current**


An electric shock can lead to burns and serious injury and even death.

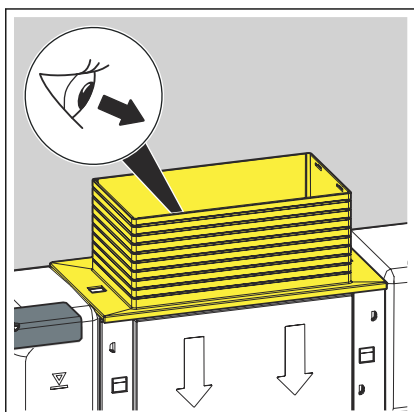
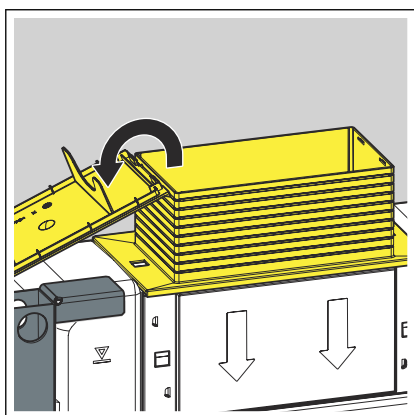
- Only allow electrical work to be carried out by qualified electricians.
- Always de-energise the connection cable before work is commenced.



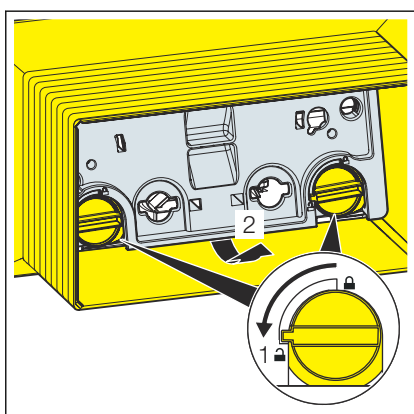
Observation of the prescribed connection sequence is required. The power supply must always be connected last, to ensure that all of the connected components function.

Requirements:

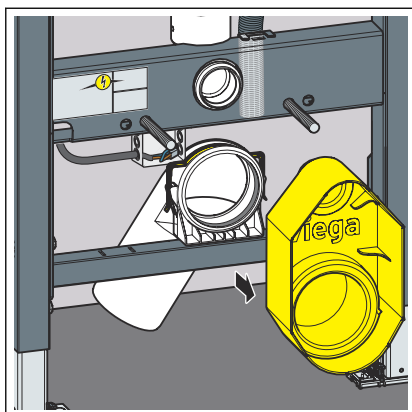
- A 230 V mains connection is available on site.
- The installation position of the mains adapter complies with the requirements in acc. with  *Chapter 3.1.1 'Mounting conditions' on page 10.*
- The connection cable is de-energised.
- Remove the shaft cover.



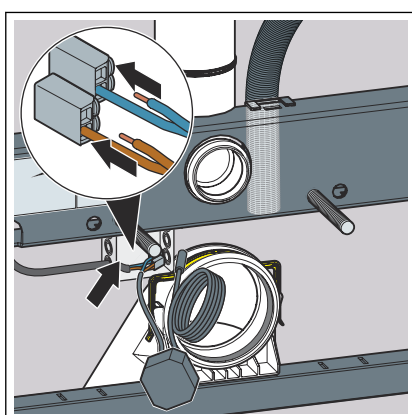
INFO! In the description of the following steps, the cistern is shown in top view.



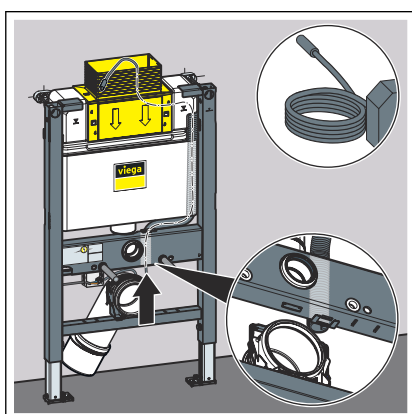
- Turn the site protection panel lock 90° anti-clockwise.
- Remove the site protection panel.



- Remove the site protection.

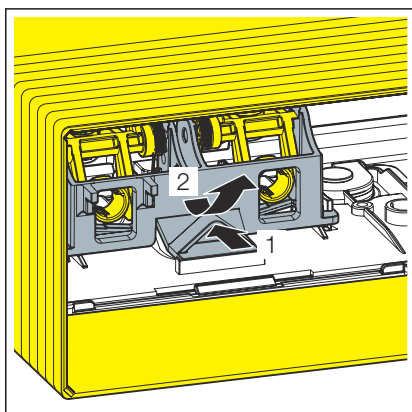


- Put the mains adapter in place.
- Remove approx. 1 cm of the insulation on the cables.
- Push the cables into the terminals.

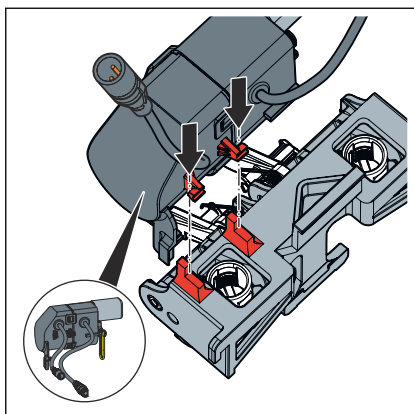


INFO! Use the cable feedthrough.

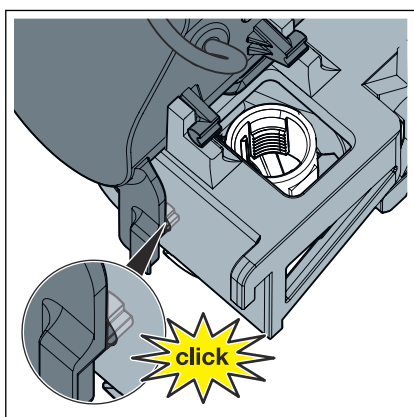
- Route the connection cable from the mains adapter through the conduit pipe into the cistern.
- Guide the connection cable out through the cistern.



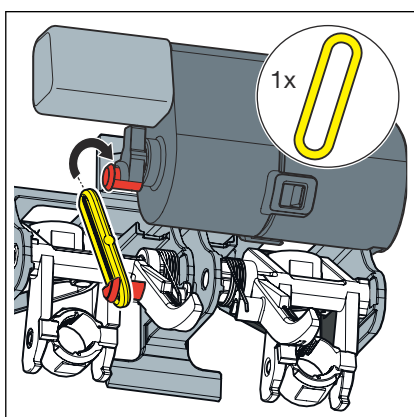
- Remove the mechanism.



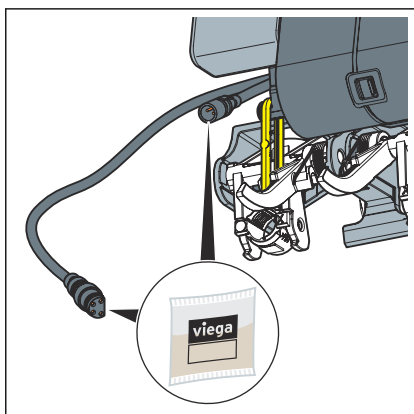
► Place the drive unit on the mechanism.



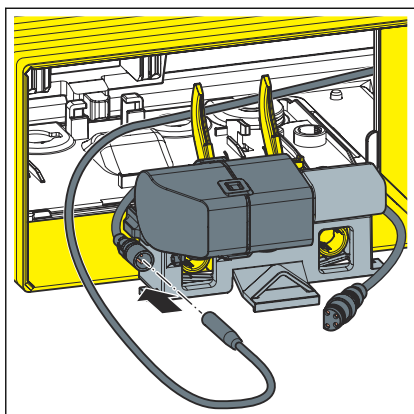
► Let the drive unit engage in the mechanism.



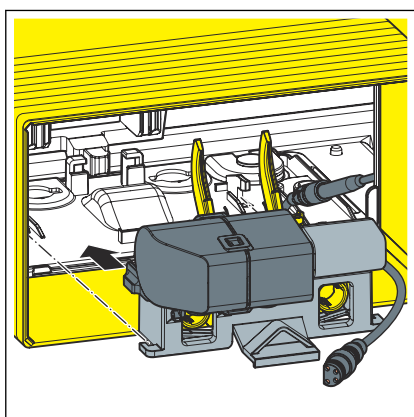
► Connect the bow of the mechanism and the drive unit to the eye.



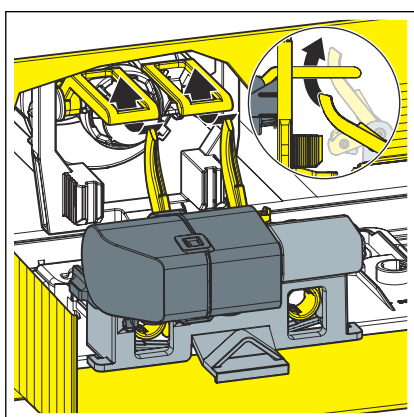
► Apply the silicon grease to all drive unit connections.



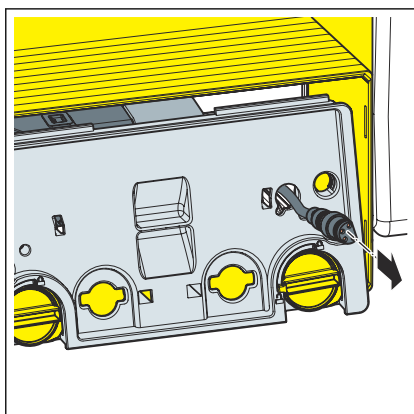
► To establish the power supply, connect the short cable of the drive unit to the flushing station.



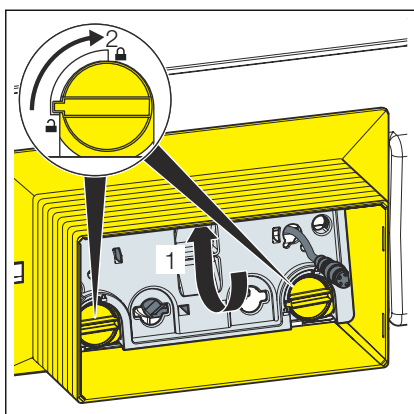
► Place the mechanism with the drive unit into the rear of the site protection panel.



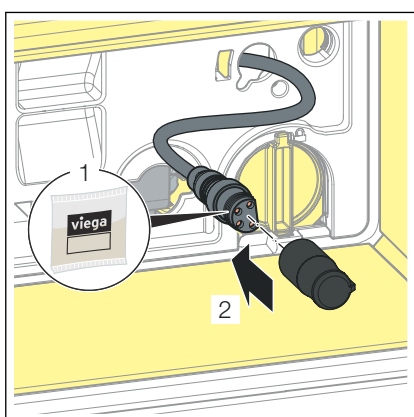
► Hang the mechanism in the tab of the drain valve.



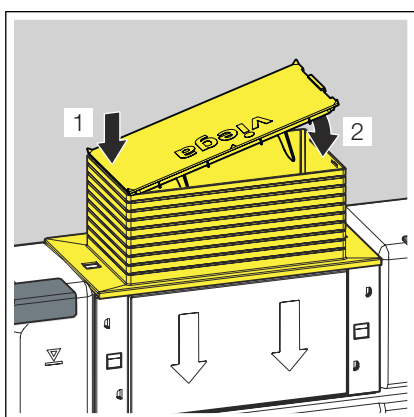
► Guide the long cable of the drive unit forward through the right-hand opening of the site protection panel.



- Insert the site protection panel into the cistern.
- Turn the site protection panel's lock by 90° clockwise.



- Grease the connection cable.
- Insert the plug into the connection cable.



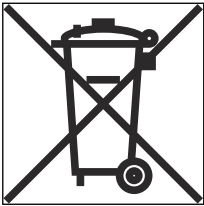
- Insert the shaft cover.
- ☐ The drive unit has been mounted.

3.3 Errors, faults and remedy



In case of malfunctions, disconnect the model from the power supply and reconnect it after one minute.

3.4 Disposal



Separate the product and packaging materials (e. g. paper, metal, plastic or non-ferrous metals) and dispose of in accordance with valid national legal requirements.

Electronic components and batteries must not be put in the domestic waste but must be disposed of appropriately in conformity with the WEEE guideline 2012/19/EU.



Viega GmbH & Co. KG
service-technik@viega.de
viega.com

INT • 2023-01 • VP220286

