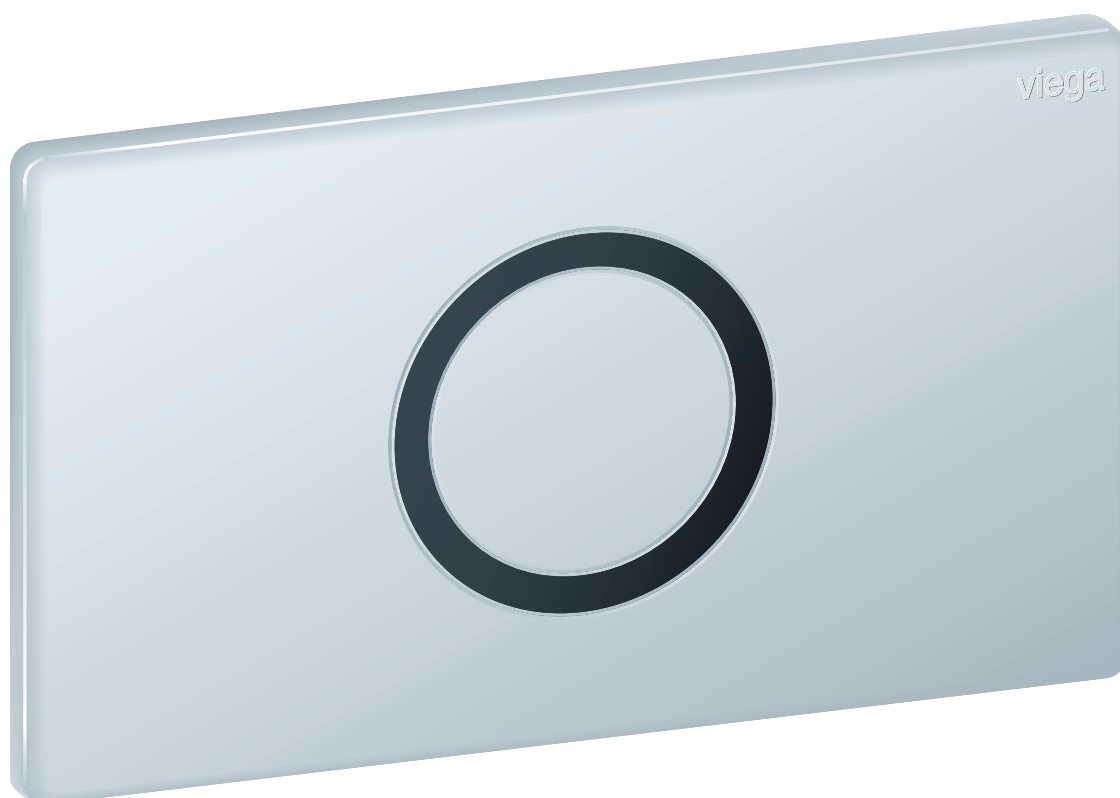


## Instructions for Use

# WC flush plate for Prevista Visign for Public 12 infrared



for all Prevista concealed cisterns

**Model**  
8635.1

**Year built (from)**  
09/2018

**viega**

# Table of contents

<b>1</b>	<b>About these instructions for use</b>	<b>3</b>
	1.1 Target groups	3
	1.2 Labelling of notes	3
	1.3 About this translated version	4
<b>2</b>	<b>Product information</b>	<b>5</b>
	2.1 Intended use	5
	2.1.1 Areas of use	5
	2.2 General notes	5
	2.3 Product description	7
	2.3.1 Overview	7
	2.3.2 Technical data	7
	2.3.3 Connection diagram	8
	2.3.4 Operating mode	9
	2.3.5 System expansions	10
	2.3.6 Setting options	10
	2.4 Accessories	12
<b>3</b>	<b>Handling</b>	<b>14</b>
	3.1 Assembly information	14
	3.1.1 Mounting conditions	14
	3.1.2 Required material and tools	14
	3.2 Assembly	15
	3.2.1 Prepare cistern	15
	3.2.2 Mounting the flush plate	15
	3.2.3 Connecting external sensors	23
	3.3 Commissioning	24
	3.3.1 Setting the infrared sensor	24
	3.3.2 Setting the flush	26
	3.4 Errors, faults and remedy	29
	3.5 Care and maintenance	29
	3.5.1 Care tips	29
	3.6 Disposal	29

# 1 About these instructions for use

Trade mark rights exist for this document; for further information, go to [viega.com/legal](http://viega.com/legal).

## 1.1 Target groups

The information in this instruction manual is directed at the following groups of people:

- Heating and plumbing experts and trained personnel
- Operators
- Consumers

Individuals without the abovementioned training or qualification are not permitted to mount, install and, if required, maintain this product. This restriction does not extend to possible operating instructions.

The installation of Viega products must take place in accordance with the general rules of engineering and the Viega instructions for use.

## 1.2 Labelling of notes

Warning and advisory texts are set aside from the remainder of the text and are labelled with the relevant pictographs.



### **DANGER!**

This symbol warns of possible life-threatening injury.



### **WARNING!**

This symbol warns of possible serious injury.



### **CAUTION!**

This symbol warns of possible injury.



### **NOTICE!**

This symbol warns of possible damage to property.



This symbol gives additional information and hints.

### 1.3 About this translated version

This instruction for use contains important information about the choice of product or system, assembly and commissioning as well as intended use and, if required, maintenance measures. The information about the products, their properties and application technology are based on the current standards in Europe (e.g. EN) and/or in Germany (e.g. DIN/DVGW).

Some passages in the text may refer to technical codes in Europe/Germany. These should serve as recommendations in the absence of corresponding national regulations. The relevant national laws, standards, regulations, directives and other technical provisions take priority over the German/European directives specified in this manual: The information herein is not binding for other countries and regions; as said above, they should be understood as a recommendation.

## 2 Product information

### 2.1 Intended use

#### 2.1.1 Areas of use

A flush plate with infrared sensor in public or barrier-free sanitary rooms offers a practical and hygienic possibility to actuate a flush for users and caregivers. In addition, there is the possibility to connect radio controlled or cabled sensors to the electronic flush actuation.



An electrical connection must be planned for the electronic actuation in the area of the cistern when planning.

Only the large flush volume can be actuated with electronic flush actuation.

#### Suitable cisterns

The flush plate is intended for the actuation of flushes on Viega concealed cisterns.

Installation is possible in all Prevista concealed cisterns.

### 2.2 General notes

- If you notice any damage on the product or individual components, do not carry out a repair. Instead, have the product replaced by qualified personnel.
- This appliance can be used by children aged 8 and above, and persons with impaired physical, sensory or mental capacities or with insufficient experience and expertise, provided that they use it under supervision, or have been instructed regarding the safe use of the product and the hazards posed by it.
- Make sure that children do not play with this product.

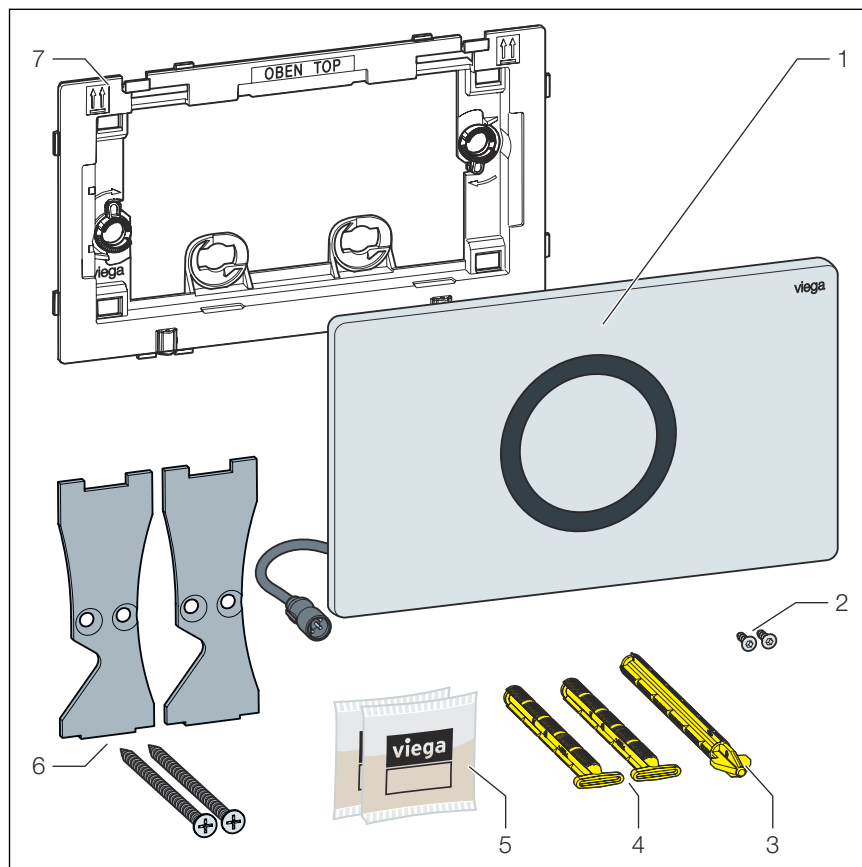
#### Symbols

Observe the symbol listed on the label:

Symbol	Description
	CE marking, Product Safety in Europe
	EAC marking, registration of products in the territory of the Customs Union
	UKCA marking, Product Safety in Great Britain (England, Wales and Scotland)
	Direct current
	Protection class III
	The marked product must not be disposed of as household waste.

## 2.3 Product description

### 2.3.1 Overview



**Fig. 1: Scope of delivery**

- 1 flush plate
- 2 Safety screws
- 3 Actuating rod
- 4 retaining bolt
- 5 silicon grease (2 x 2 g)
- 6 Locking plates
- 7 installation frame

### 2.3.2 Technical data

#### Flush volume

The flush volumes for the flush actuation are:

- Small flush volume: approx. 2 / 3 / 4 litres
- Large flush volume: approx. 3.5 / 4.5 / 6 / 7.5 litres

Depending on the setting (☞ *Chapter 3.3.1 'Setting the infrared sensor' on page 24*), the **infrared sensor** automatically selects between the small or large flush volume.

If the external sensor (e. g. a remote button on the handle) offers two activation options, the **electronic flush actuation** can be used to select between the large or small flush volume.

**Detection area**

Close range	0–30 mm
Far range	400–600 mm

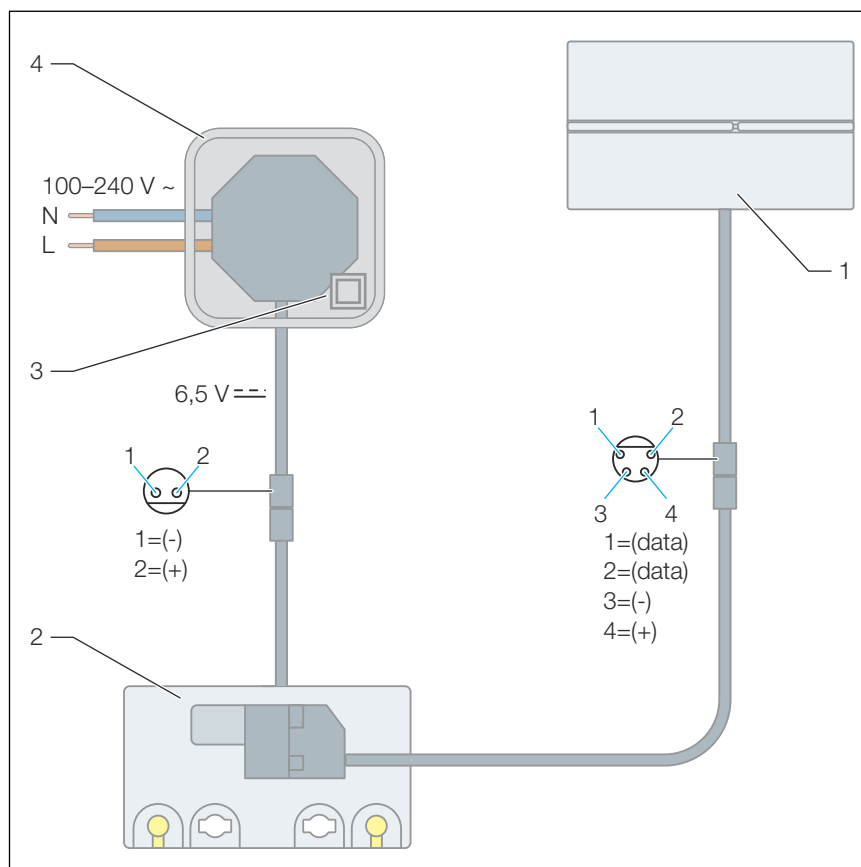
**Viega Hygiene function**

Hygiene flush volume	3 / 7.5 litres
Hygiene flush interval	1 / 12 / 24 / 72 / 168 hours

**Voltage and current**

Voltage [V]	Current [mA]
6.5	3

**2.3.3 Connection diagram**



**Fig. 2: Connection diagram, power pack, WC flush plate for Prevista**

- 1 WC flush plate for Prevista
- 2 Electronic drive unit
- 3 Power pack
- 4 Plastic branch protection class II



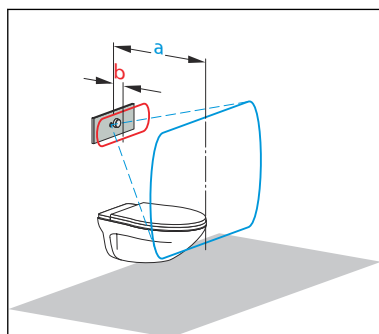
## 2.3.4 Operating mode

Flushes from Prevista concealed cisterns are actuated contact-free via the flush plate. The sensor range is approx. 0-30 mm from the flush plate.

Optionally, a large or small flush volume can be flushed.

### Infrared actuation

Flush actuation takes place without contact via an infrared sensor on the flush plate. This sensor differentiates between a close and a far range.



a: Far range (blue) 400–600 mm

b: Close range (red) 0–30 mm



A flush can be actuated by holding a hand in front in the close range.

If a person stands in the long-distance range for more than 8 seconds, the flush actuation using the close range is automatically deactivated. This prevents an unwanted flush actuation.

After the flush is actuated, the close range sensor can then be used to actuate a second flush by hand.



If a person leaves the far range, a flush is automatically actuated.

If the long range is left within a definable time frame (30, 60 or 90 seconds), the small flush volume is used. If a person stays for longer, a flush with the large flush volume takes place.

After use, an additional flush cycle can be actuated through the close range sensor.

## Viega Hygiene function

Stagnation can lead to the build up of germs (e.g. legionella) in potable water pipelines. It is important to rinse the pipeline regularly to prevent the build up of bacteria. The Viega Hygiene function was developed for this reason.

Flushes are actuated in a time-controlled manner with the Viega Hygiene function. Interval and flush volume will be set as required and saved by the control. All settings remain saved during a power cut.

The function is deactivated at the factory.

### 2.3.5 System expansions

The system's range of functions can be expanded through the connection of accessories onto the control.

### 2.3.6 Setting options

#### Settings for the infrared sensor

##### Range of the infrared sensor

The close range is set at 0 to 30 mm.

The far range can be set as follows:

- close range (approx. 400 mm)
- medium range (approx. 500 mm) (factory setting)
- far range (approx. 600 mm)

To set the range of the infrared sensor, see ↗ *'Setting the range'* on page 25.

##### Differentiation of small and large flush volume

The differentiation between small and large flush volume takes place automatically depending on how long the WC is used. The differentiation is deactivated in the factory settings.

The following settings are possible:

- Differentiation of small and large flush volume deactivated. This setting is the factory setting.
- Large flush volume in the case of use of longer than 30 seconds. In the case of shorter use the small flush volume is used.
- Large flush volume in the case of use of longer than 60 seconds. In the case of shorter use the small flush volume is used.
- Large flush volume in the case of use of longer than 90 seconds. In the case of shorter use the small flush volume is used.

To set the flush volume of the infrared sensor, see ↗ *'Setting the differentiation of small and large flush volumes'* on page 25.

##### WC lid in front of sensor

This setting is provided for cases where an open WC lid covers the sensor. The function is deactivated in the factory settings. If the function is activated, a flush cycle is actuated as soon as the WC lid is removed from the sensor zone.

Viega recommends however to make sure during planning that the lid is not placed in front of the sensor in order to guarantee perfect functionality.

To set the "WC lid in front of the sensor" function, see ↗ *'Setting the "WC lid in front of sensor"' on page 25.*

## Flush settings

To set the flush volumes, see ↗ *Chapter 3.3.2 'Setting the flush' on page 26.*

### Flush volume

This criterion relates exclusively to the flush volume for flush cycles actuated electronically. The flush volume for hygiene flushing is set separately.

The following settings are possible:

- Small flush volume 3 litres, large flush volume 4.5 litres
- Small flush volume 3 litres, large flush volume 6 litres (factory setting)
- Small flush volume 4 litres, large flush volume 9 litres

### Interval of the Hygiene function

The following settings are possible:

- Hygiene function deactivated (factory setting)
- Hygiene flush 24 hours after the last use
- Hygiene flush 72 hours after the last use
- Hygiene flush 168 hours after the last use

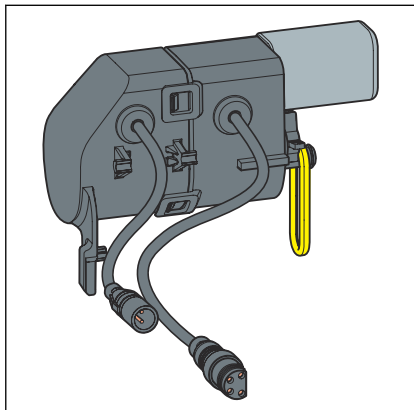
### Flush volume of the Hygiene function

The following settings are possible:

- Hygiene function, 3 litres flush volume (factory setting)
- Hygiene function, 7.5 litres flush volume

## 2.4 Accessories

### Required accessories

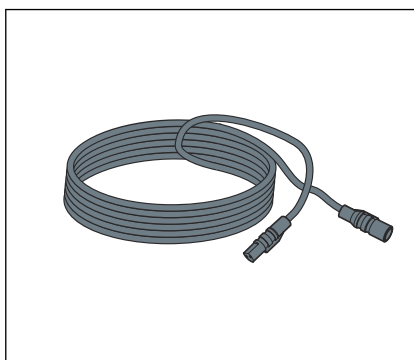


**Fig. 3: Accessory set electronic (model 8655.11)**

For complete mounting of the electronic flush plate, you need the electronic accessory set (model 8655.11). Install the mains adapter in a connection socket suitable for protection class II (e.g. model 8570.62).

This ensures installation according to SELV.

### Optional accessories

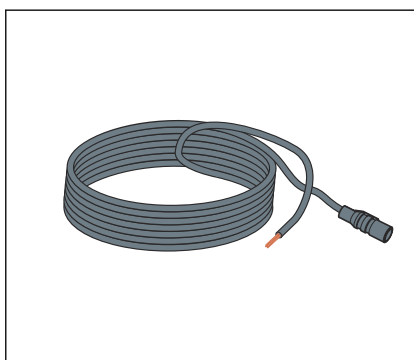


#### Extension cable (model 8352.690)

2 metre cable for the extension of the power supply.



Use a maximum of two extension cables with the mains adapter (4.75 meter total length).



#### Connection cable (model 8570.55)

3-meter cable for external flush actuation with on-site and commercially available buttons with closing function or potential-free contact (closing period 350 ms).



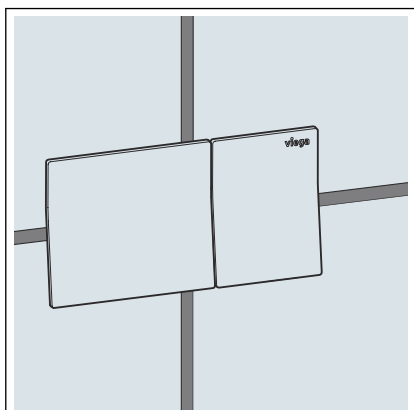
#### Extension cable adapter (model 8580.49)

For connection of a radio receiver.



#### Adapter (model 8570.57)

The battery compartment can be connected for a redundant power supply using an adapter plug (model 8570.56). The adapter plug and the battery compartment are included in the scope of delivery of adapter model 8570.57.



#### WC remote flush actuation (models 8640.1 and 8641.1)

For electronic remote flush actuation on Prevista concealed cisterns.

## 3 Handling

### 3.1 Assembly information

#### 3.1.1 Mounting conditions

##### External sensors (optional)

If external sensors are to be connected to the drive unit, their connection cables or empty pipes must be laid in the cistern before tiling is begun, see ↗ *Chapter 2.3.5 'System expansions' on page 10*.

#### 3.1.2 Required material and tools

##### Material

The following material is required for mounting:

- if necessary, accessories for the extension of the system ↗ *Chapter 2.3.5 'System expansions' on page 10*

##### Tool

The following tools are required for mounting:

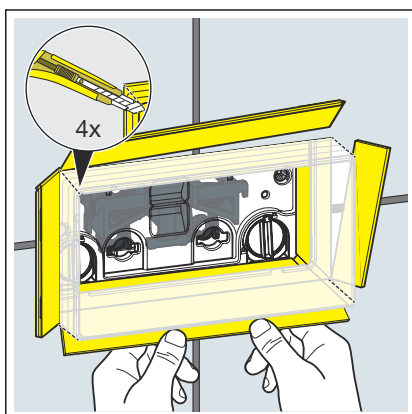
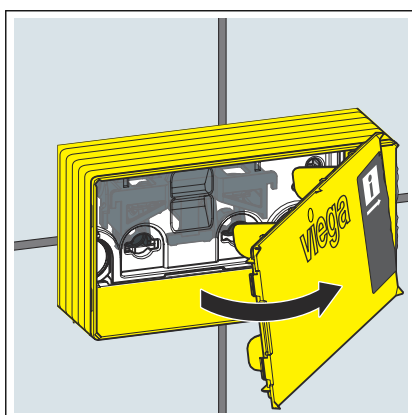
- cutting knife
- flat-blade screwdriver
- Torx screwdriver (T 10)
- Allen key (size 2)

## 3.2 Assembly

### 3.2.1 Prepare cistern

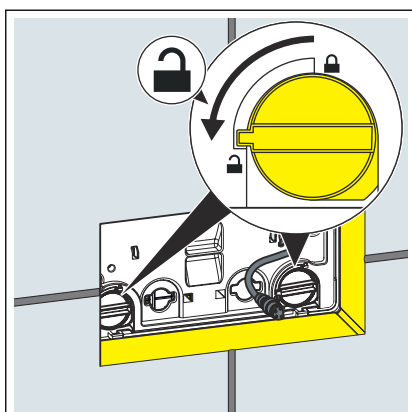
Requirements:

- The accessory set electronic (model 8655.11) is mounted.
- The cistern is fitted into the pre-wall.
- The pre-wall is tiled.
- Remove the shaft cover.

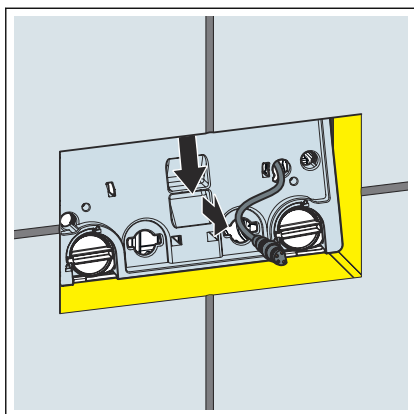


- Cut into the corners of the inspection shaft.
- Fold the sides of the inspection shaft outwards up to the tile level and snap them off.

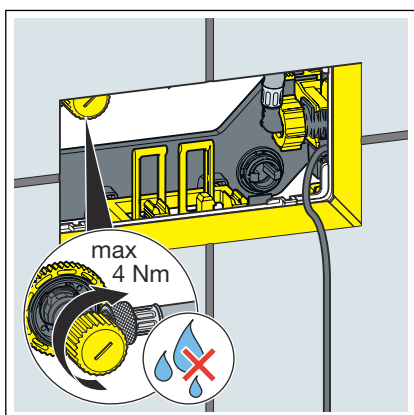
### 3.2.2 Mounting the flush plate



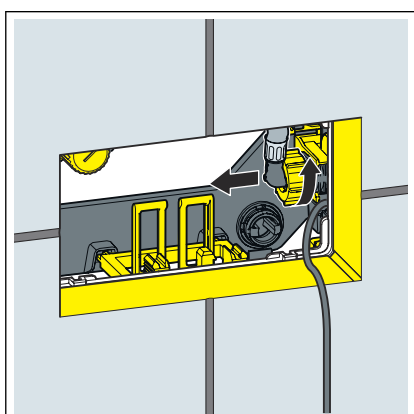
- Turn the site protection panel lock 90° anti-clockwise.



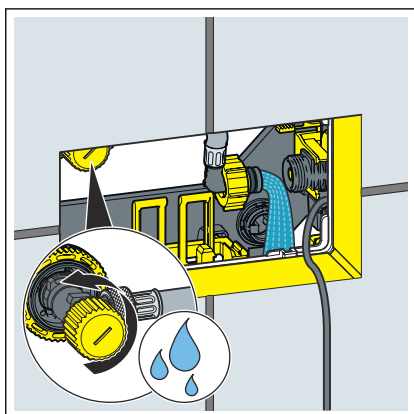
➤ Remove the site protection panel.



➤ Close the corner valve.  
The maximum torque is 4 Nm.

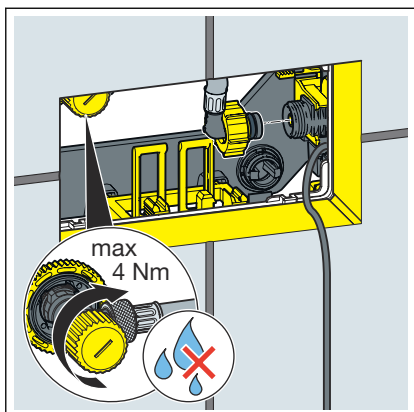


➤ Loosen the flexible hose on the filling valve.

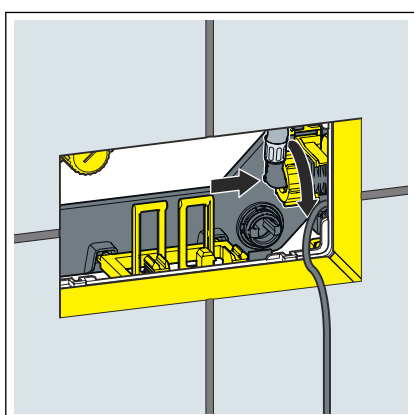


➤ Open the corner valve for a few seconds to flush the pipe.

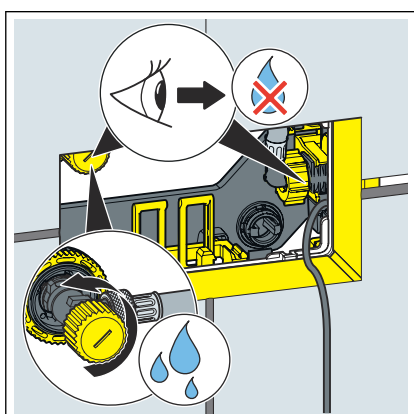




- Close the corner valve.  
The maximum torque is 4 Nm.



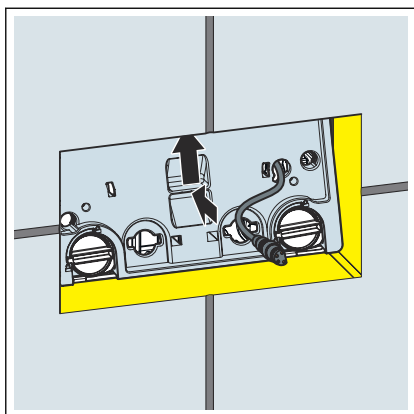
- Connect the flexible hose to the filling valve.



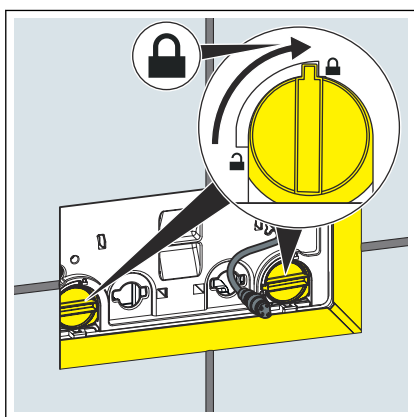
- Re-open the corner valve.
- INFO!** Check the corner valve and the filling valve for leak tightness.



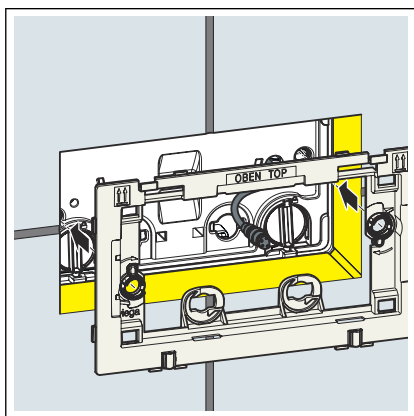
Set the desired flush volume, see ↗ *Chapter 3.3.2 'Setting the flush' on page 26.*



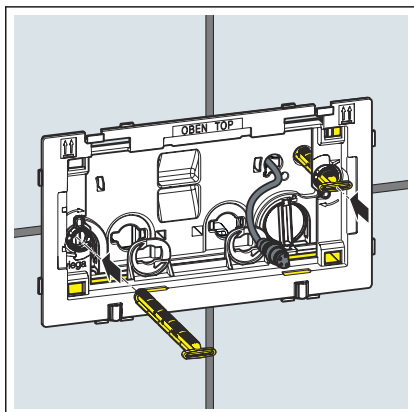
► Insert the site protection panel into the cistern.



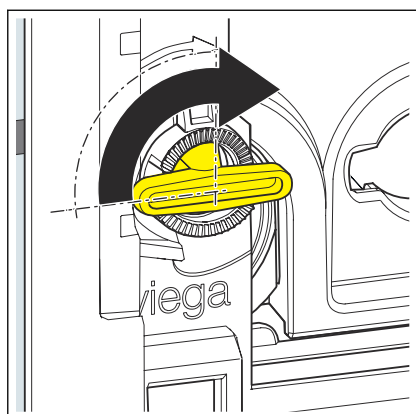
► Turn the site protection panel's lock by 90° clockwise.



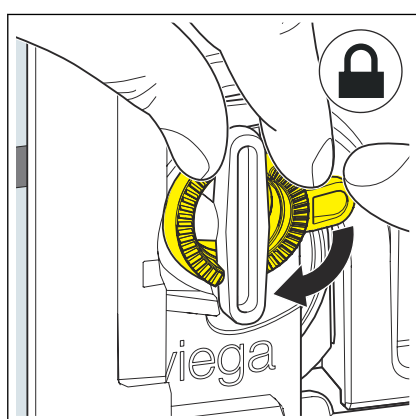
► Put on the installation frame.



► Insert the retaining bolts.

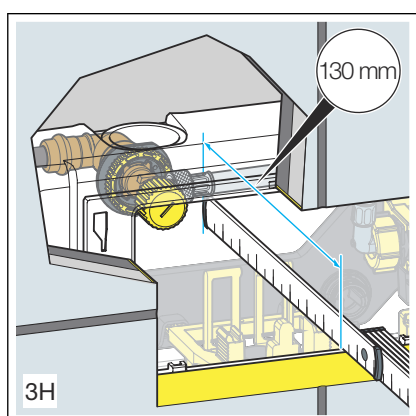


► Turn the retaining bolts by 90° in a clockwise direction.



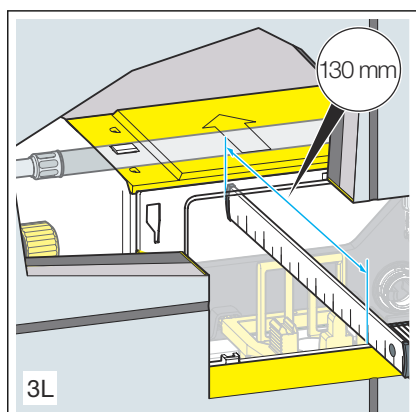
► Align the installation frame.

► To fix the retaining pins, turn the safety rings in a clockwise direction.

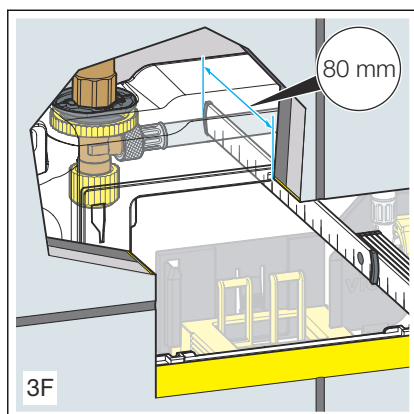


If you are not sure which cistern is installed, identify it by means of the following dimensions.

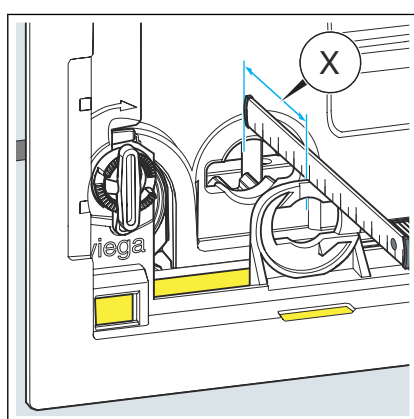
■ 3H concealed cistern



■ Concealed cistern 3L

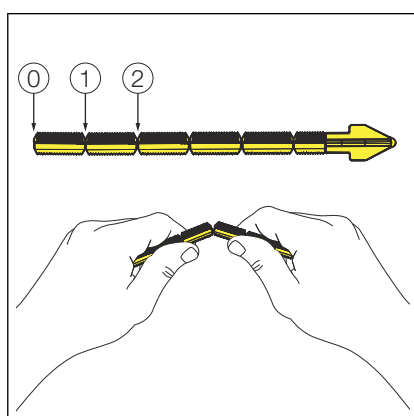


■ Concealed cistern 3F



**INFO!** For installation from the front into the concealed cisterns 3H, 3L, 3F.

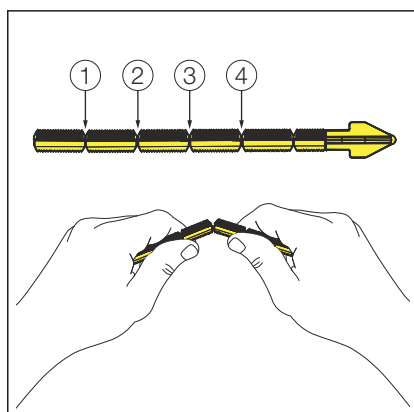
► Determine the distance for the actuating rod.



**INFO!** Cistern 3H and 3L.

► If necessary, cut the actuating rod to length.

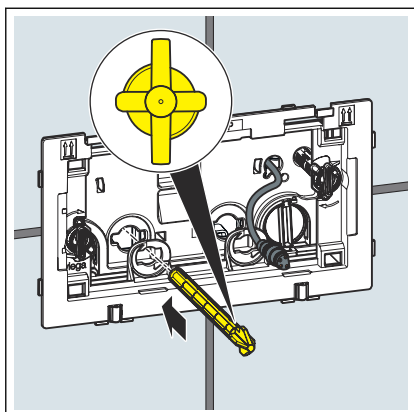
- 0: 75–50 mm
- 1: 50–25 mm
- 2: 25–10 mm



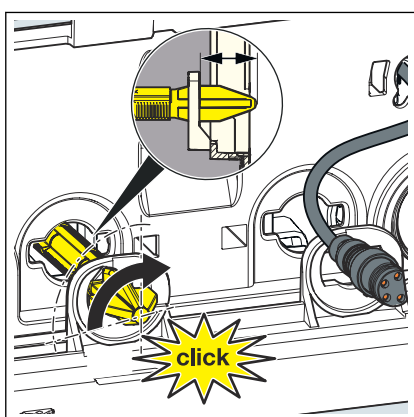
**INFO!** Cistern 3F.

► If necessary, cut the actuating rod to length.

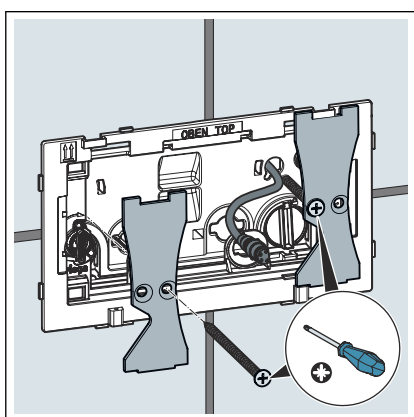
- 1: 75–55 mm
- 2: 55–35 mm
- 3: 35–15 mm
- 4: 15–10 mm



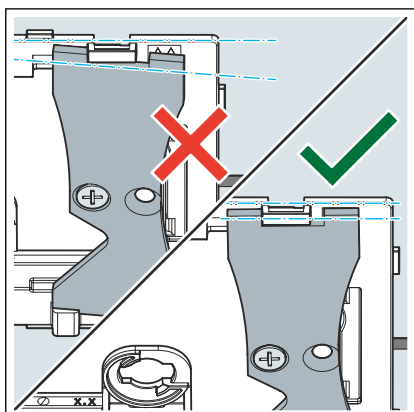
- Push the actuating rod through the left opening of the installation frame as far as it will go.



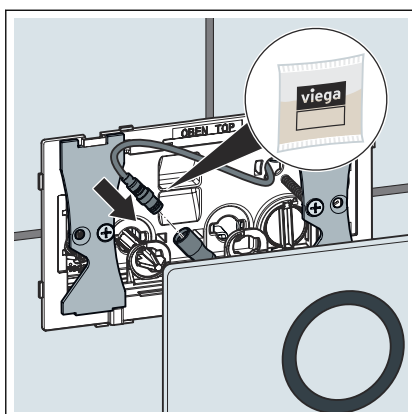
- Align the actuating rod.
- Turn the actuating rod clockwise by 90°.



- Screw on the securing plate.

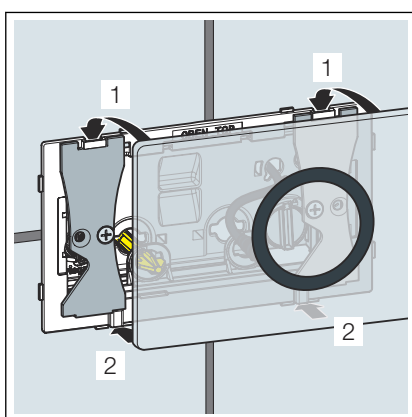


- Check the positioning of the securing plates and correct if necessary.

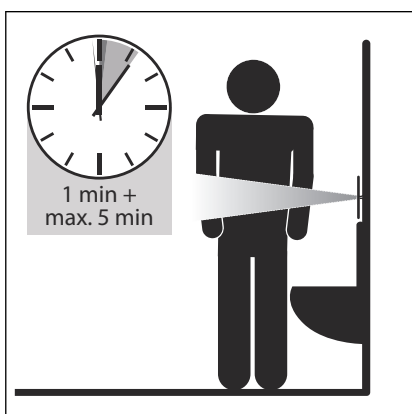


- Apply the silicon grease to the electronic connections.
- If required, additional external sensors can be connected. See [Chapter 3.2.3 'Connecting external sensors' on page 23](#).
- Connect the control line to the flush plate.

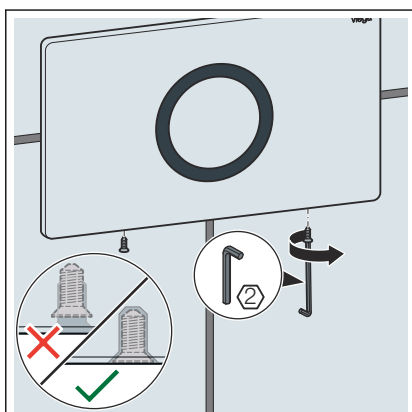
**INFO!** Stand to the side of the panel so that you are not in the sensor's detection area.



- Hang the flush plate above and press in below.



- ⏏ The infrared sensor is calibrated (approx. 60 seconds).



- Screw on the flush plate with an Allen key (size 2).
- ⏏ The flush plate is mounted.

### 3.2.3 Connecting external sensors



**NOTICE!**  
**Damage to property due to excess voltage**

If you apply voltage to the connection cable for the external button, you will damage the control.

- Do not apply any external voltage!

Requirements:

- Button with locking function or potential-free contact (closure time at least 350 ms) available
- Connection cable available
- Connect the contact to actuate the small flush volume between the white (1) and yellow cable (3).

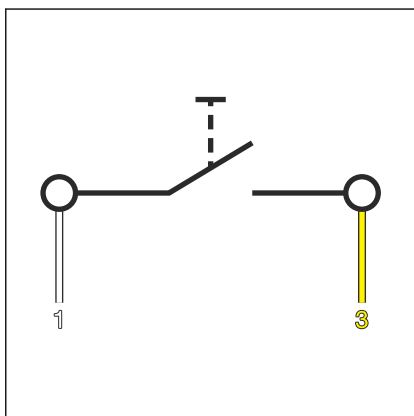


Fig. 4: WC flush plate, terminal assignment for external sensors

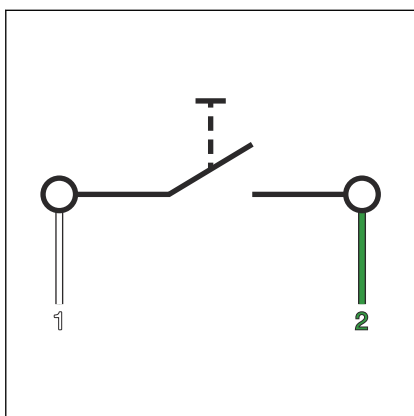


Fig. 5: WC flush plate, terminal assignment for external sensors

- Connect the contact to actuate the large flush volume between the white (1) and green cable (2).
- Strip the end of the brown cable (e.g., with a lustre terminal).

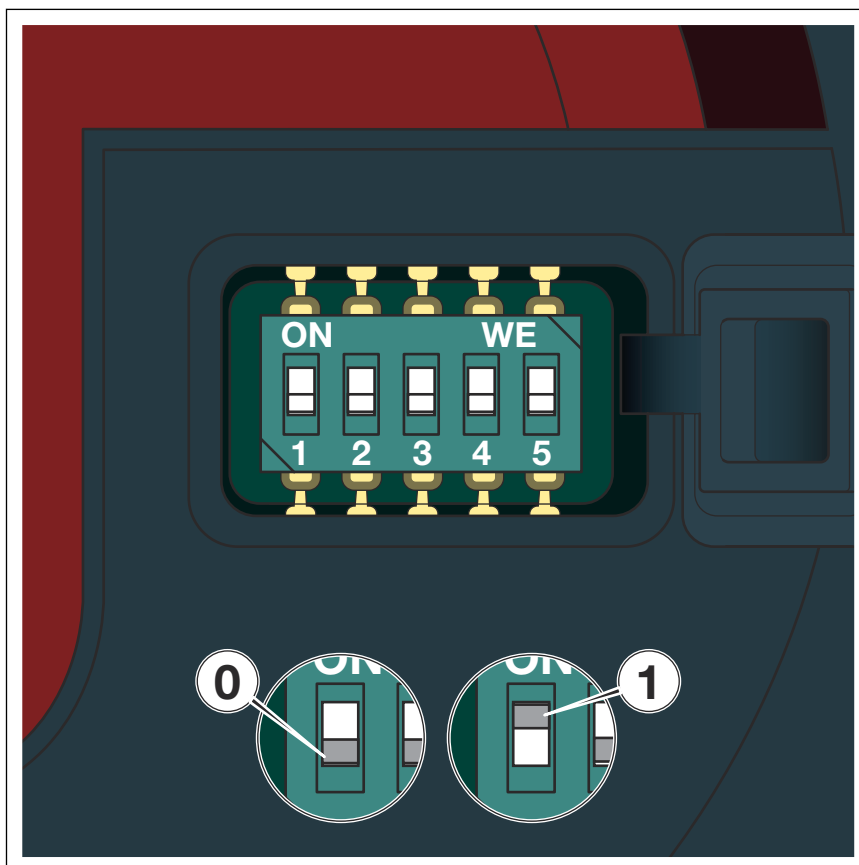
### 3.3 Commissioning

#### 3.3.1 Setting the infrared sensor

##### Programming the settings

The range, differentiation of small and large flush volumes and "WC lid in front of sensor" parameters are set via the DIP switches of the IR control.

Make the settings in the currentless (unconnected) state.



- A Range
- B Differentiation of small and large flush volume
- C "WC lid in front of sensor"
- 0 DIP switch position: OFF
- 1 DIP switch position: ON

The assignment of the DIP switches:

- Switches 1-2 determine the range of the infrared sensor.
- Switches 3-4 differentiate between small and large flush volumes.
- Switch 5 activates the "WC lid in front of sensor" function.



### Setting the range

Range (in mm)	Position of switches 1–2	
	1	2
500 (factory setting)	0	0
400	0	1
600	1	0

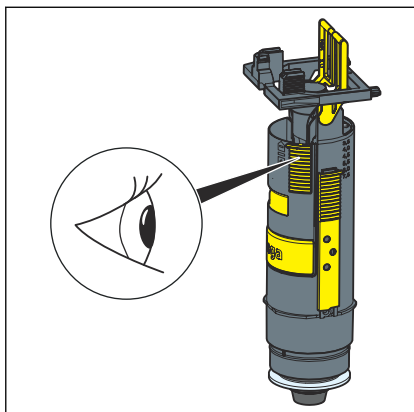
### Setting the differentiation of small and large flush volumes

Small flush volume for duration of use (in sec)	Position of switches 3–4	
	3	4
OFF (factory setting)	0	0
to 30	0	1
to 60	1	0
to 90	1	1

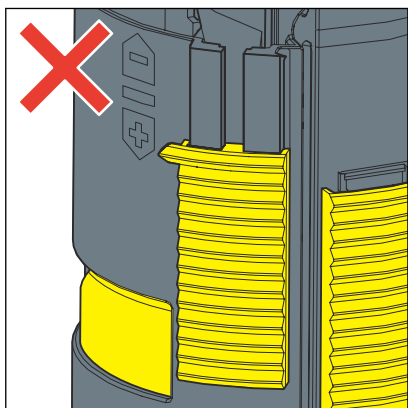
### Setting the "WC lid in front of sensor"

"WC lid in front of sensor"	Position of switch 5
	5
OFF (factory setting)	0
ON	1

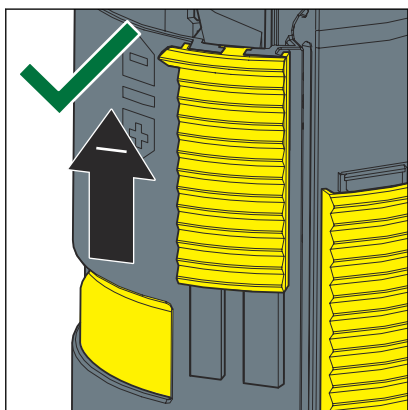
### 3.3.2 Setting the flush



The smallest possible flush volume must be set at the drain valve in the cistern.



- The small flush volume is set incorrectly.

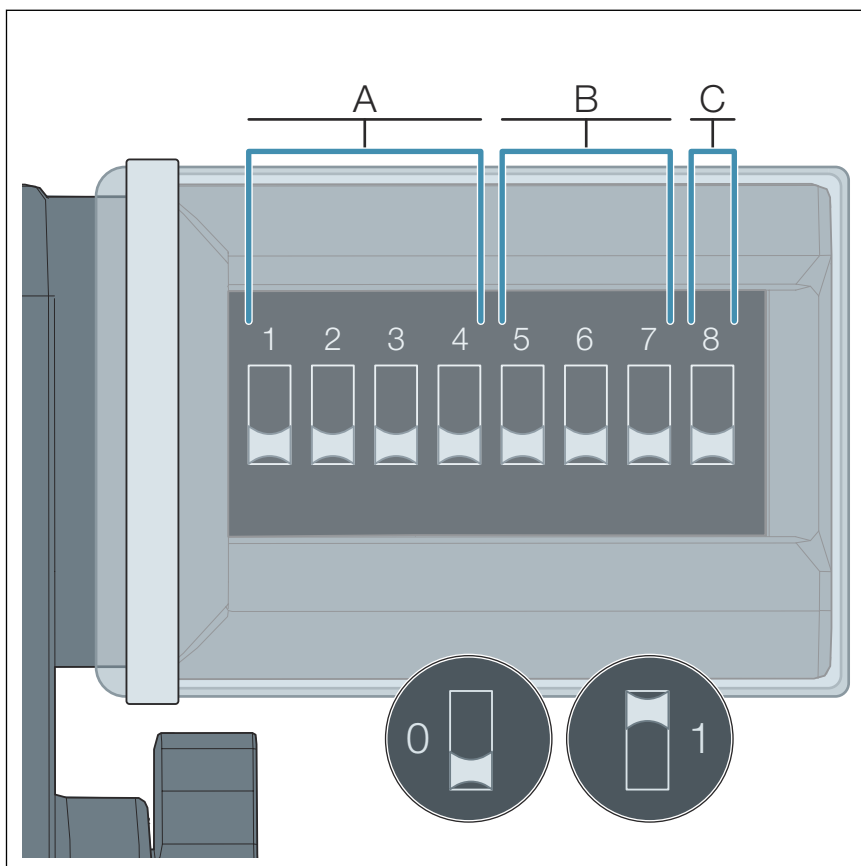


- The small flush volume is set correctly.

The flush volume is set via the DIP switch of the drive unit.



Make the settings only in the currentless (unconnected) state.



- A Setting the flush volume
- B Interval of the Hygiene function
- C Setting the flush volume of the Hygiene function
- 0 DIP switch position: OFF
- 1 DIP switch position: ON

The assignment of the DIP switches:

- Switches 1-4 define the flush volume.
- Switches 5-7 define the interval of the Hygiene function.
- Switch 8 defines the flush volume of the Hygiene function.



**NOTICE!**  
**Damage due to moisture**

Risk of damage to the drive unit if moisture penetrates.

- Do not remove the protective cover of the DIP switches.

**Setting the flush volumes (A)**

Program no.	Large flush volume (in litres)	Small flush volume (in litres)	Position of switches 1—4			
			1	2	3	4
Program 0 (factory setting)	6	3	0	0	0	0
Program 1	3.5	2	0	0	0	1
Program 2	4.5	2	0	0	1	0
Program 3	6	2	0	0	1	1
Program 4	7.5	2	0	1	0	0
Program 5	3.5	3	0	1	0	1
Program 6	4.5	3	0	1	1	0
Program 7	7.5	3	0	1	1	1
Program 8	4.5	4	1	0	0	0
Program 9	6	4	1	0	0	1
Program 10	7.5	4	1	0	1	0

**Enabling the Hygiene function and setting the intervals (B)**

Interval (in hours)	Position of switches 5—7		
	5	6	7
Switched off	0	0	0
1	0	0	1
12	0	1	0
24	0	1	1
72	1	0	0
168	1	0	1

**Setting the flush volume of the Hygiene function (C)**

Flush volume (in litres)	Position of switch 8
3	0
7.5	1

### 3.4 Errors, faults and remedy



In case of malfunctions, disconnect the model from the power supply and reconnect it after one minute.

Error	Cause	Solution
The WC does not flush after being actuated via the flush plate.	Unknown	Disconnect the flush plate from the power supply for 60 seconds and reconnect it.
	The supply voltage has failed.	Check the power supply.
	The cistern is not yet completely full.	Wait until the cistern is sufficiently full.
	There is no water in the cistern. The corner valve is closed.	Open the corner valve.
	The control is defective.	Replace the control.
	The plugs of control and flush plate have not been connected.	Establish the plug connection. ↪ Chapter 3.2.2 'Mounting the flush plate' on page 15
The WC flush runs through after being actuated via the flush plate.	The seal at the filling valve is dirty or damaged.	Check the seal, replace if necessary.
	The seal at the drain valve is dirty or damaged.	Check the seal, replace if necessary.

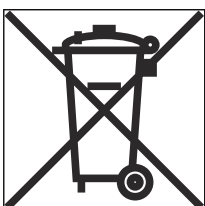
### 3.5 Care and maintenance

#### 3.5.1 Care tips

Use normal soap or a mild cleaning agent for regular care and prevention of lime scale on the flush plate. Under no circumstances should scouring agent or scratching objects be used.

Strong stains can be removed using typical household cleaner. Rinse the detergent thoroughly with clear water after the prescribed exposure time. There should be no residue on the components.

### 3.6 Disposal



Separate the product and packaging materials (e. g. paper, metal, plastic or non-ferrous metals) and dispose of in accordance with valid national legal requirements.

Electronic components and batteries must not be put in the domestic waste but must be disposed of appropriately in conformity with the WEEE guideline 2012/19/EU.



**Viega GmbH & Co. KG**  
service-technik@viega.de  
viega.com

INT • 2023-03 • VPN230085

