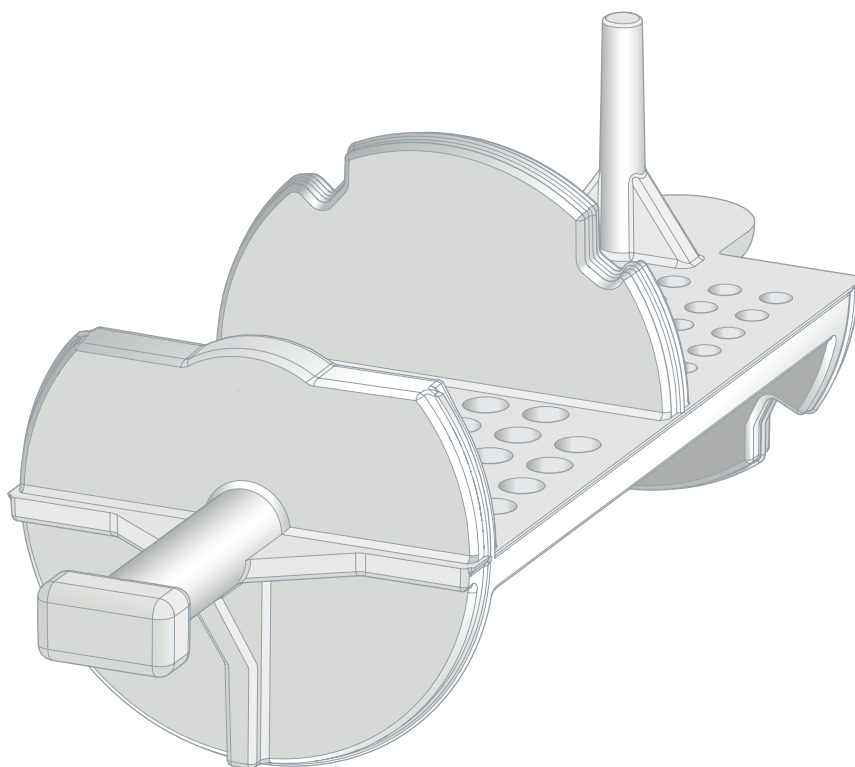


Instructions for Use

Filling valve filter insert



for filling valve set model 8580.3, 8580.5

Model
8580.70

Year built (from)
03/2022

viega

Table of contents

1	About these instructions for use	3
	1.1 Target groups	3
	1.2 Labelling of notes	3
	1.3 About this translated version	4
2	Product information	5
	2.1 Area of application	5
	2.2 Overview	5
3	Handling	6
	3.1 Assembly	6
	3.1.1 Fitting the filling valve filter insert	6
	3.2 Clean the filling valve filter insert	7
	3.3 Disposal	8

1 About these instructions for use

1.1 Target groups

The information in this instruction manual is directed at the following groups of people:

- Heating and plumbing experts and trained personnel

Individuals without the abovementioned training or qualification are not permitted to mount, install and, if required, maintain this product. This restriction does not extend to possible operating instructions.

The installation of Viega products must take place in accordance with the general rules of engineering and the Viega instructions for use.

1.2 Labelling of notes

Warning and advisory texts are set aside from the remainder of the text and are labelled with the relevant pictographs.



DANGER!

This symbol warns of possible life-threatening injury.



WARNING!

This symbol warns of possible serious injury.



CAUTION!

This symbol warns of possible injury.



NOTICE!

This symbol warns of possible damage to property.



This symbol gives additional information and hints.

1.3 About this translated version

This instruction for use contains important information about the choice of product or system, assembly and commissioning as well as intended use and, if required, maintenance measures. The information about the products, their properties and application technology are based on the current standards in Europe (e.g. EN) and/or in Germany (e.g. DIN/DVGW).

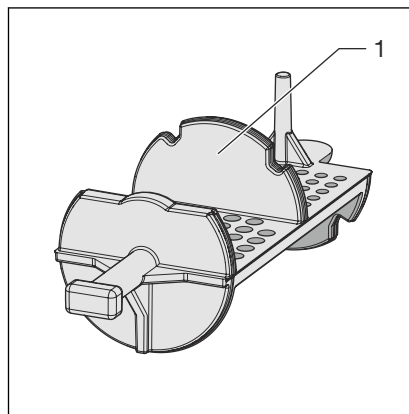
Some passages in the text may refer to technical codes in Europe/Germany. These should serve as recommendations in the absence of corresponding national regulations. The relevant national laws, standards, regulations, directives and other technical provisions take priority over the German/European directives specified in this manual: The information herein is not binding for other countries and regions; as said above, they should be understood as a recommendation.

2 Product information

2.1 Area of application

The filling valve filter cartridge is suitable for filling valve set models 8580.3 and 8580.5.

2.2 Overview

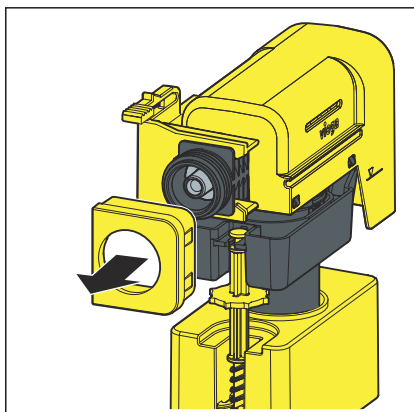


1 Filling valve filter cartridge

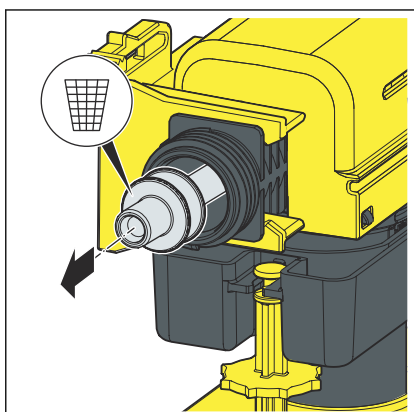
3 Handling

3.1 Assembly

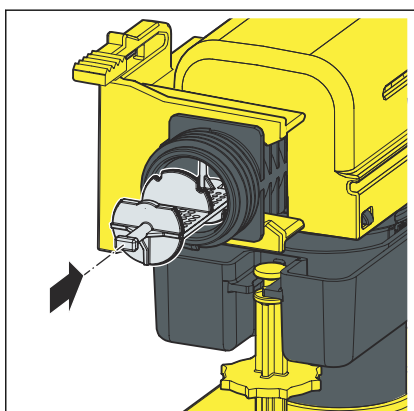
3.1.1 Fitting the filling valve filter insert



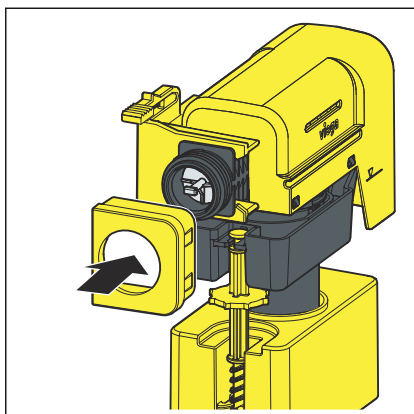
➤ Remove the filling valve lock.



➤ Remove the old nozzle from the filling valve set.

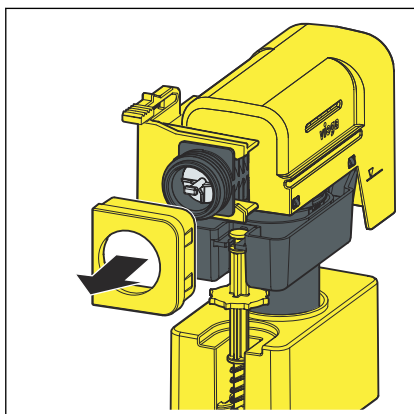


➤ Insert the new filling valve filter insert into the filling valve set.

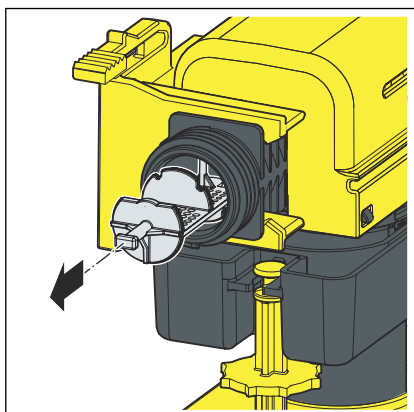


► Insert the filling valve lock.

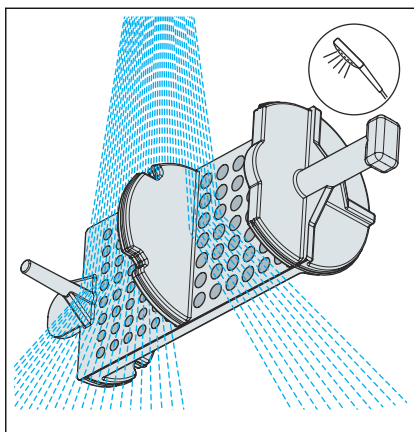
3.2 Clean the filling valve filter insert



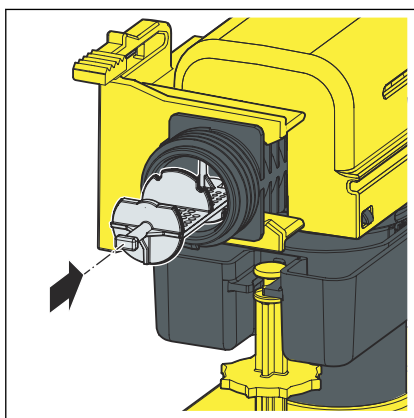
► Remove the filling valve lock.



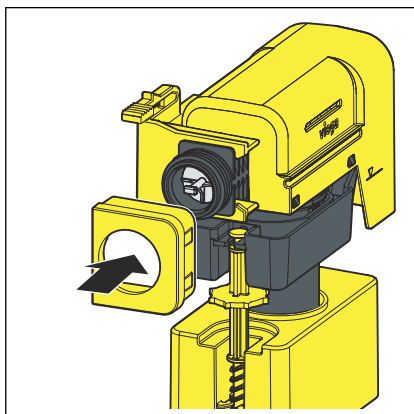
► Remove the filter from the filling valve set.



► Clean the filter under running water.



► Re-insert the filter into the filling valve set.



► Insert the filling valve lock.

3.3 Disposal

Separate the product and packaging materials (e. g. paper, metal, plastic or non-ferrous metals) and dispose of in accordance with valid national legal requirements.



Viega GmbH & Co. KG
service-technik@viega.de
viega.com

INT • 2023-01 • VPN220222

