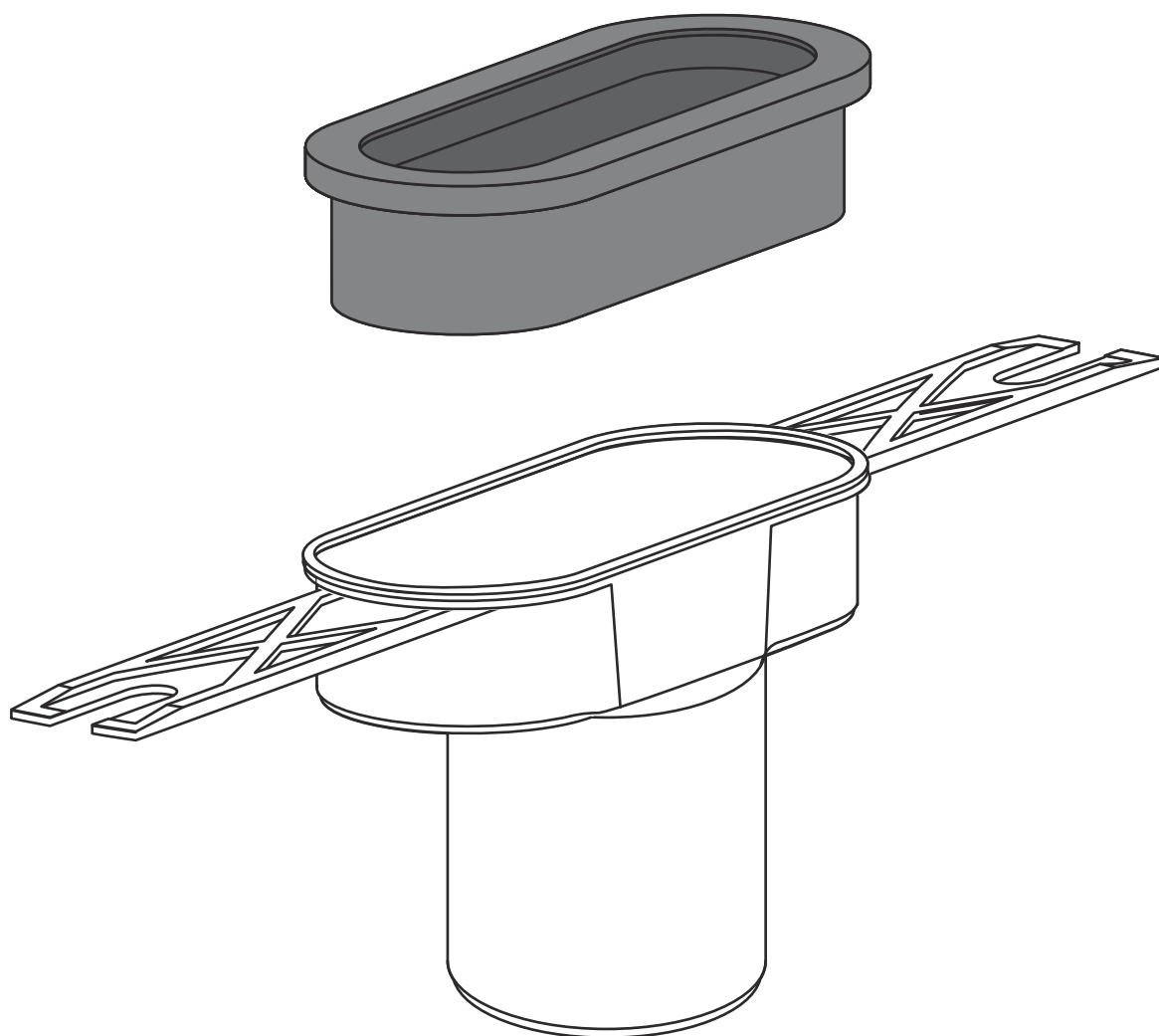


Instructions for Use

Advantix Vario drain connector



for the connection of the Advantix Vario shower channel model
4966.19 to the wastewater system

Model
4965.79

Year built (from)
01/2017

viega

Table of contents

1	About these instructions for use	3
	1.1 Target groups	3
	1.2 Labelling of notes	3
	1.3 About this translated version	4
2	Product information	5
	2.1 Standards and regulations	5
	2.2 Product description	5
	2.2.1 Overview of the components	6
3	Handling	7
	3.1 Assembly information	7
	3.1.1 Important note	7
	3.1.2 Installation dimensions	7
	3.2 Assembly	8
	3.3 Disposal	10

1 About these instructions for use

Trade mark rights exist for this document; for further information, go to viega.com/legal.

1.1 Target groups

The information in this instruction manual is directed at the following groups of people:

- Heating and sanitary professionals and trained personnel
- Tilers

It is not permitted for individuals without the abovementioned training or qualification to mount, install and, if required, maintain this product. This restriction does not extend to possible operating instructions.

The installation of Viega products must take place in accordance with the general rules of engineering and the Viega instructions for use.

1.2 Labelling of notes

Warning and advisory texts are set aside from the remainder of the text and are labelled with the relevant pictographs.



DANGER!

This symbol warns against possible life-threatening injury.



WARNING!

This symbol warns against possible serious injury.



CAUTION!

This symbol warns against possible injury.



NOTICE!

This symbol warns against possible damage to property.



Notes give you additional helpful tips.

1.3 About this translated version

This instruction for use contains important information about the choice of product or system, assembly and commissioning as well as intended use and, if required, maintenance measures. The information about the products, their properties and application technology are based on the current standards in Europe (e. g. EN) and/or in Germany (e. g. DIN/DVGW).

Some passages in the text may refer to technical codes in Europe/Germany. These should serve as recommendations in the absence of corresponding national regulations. The relevant national laws, standards, regulations, directives and other technical provisions take priority over the German/European directives specified in this manual: The information herein is not binding for other countries and regions; as said above, they should be understood as a recommendation.

2 Product information

2.1 Standards and regulations

The following standards and regulations apply to Germany / Europe. National regulations can be found on the relevant web site of your country at viega.com/standards.

Regulations from section: Media

Scope / Notice	Regulations applicable in Germany
Typical domestic wastewater	DIN 1986-3

2.2 Product description

The drain connection is intended for use with a Viega Advantix Vario shower channel or a Viega Advantix Vario wall drain.

The drain connection is intended for draining of household-type wastewater in constant operation, see ↗ *'Regulations from section: Media' on page 5*.

- For short periods of time, the temperature of the wastewater may amount to max. 95 °C. The temperature must be considerably lower in constant operation.
- The pH value must be higher than 4 but lower than 10.

Drainage capacity

Accumulation height	with sieve insert
10 mm	0.7 l/s
20 mm	1.0 l/s

2.2.1 Overview of the components

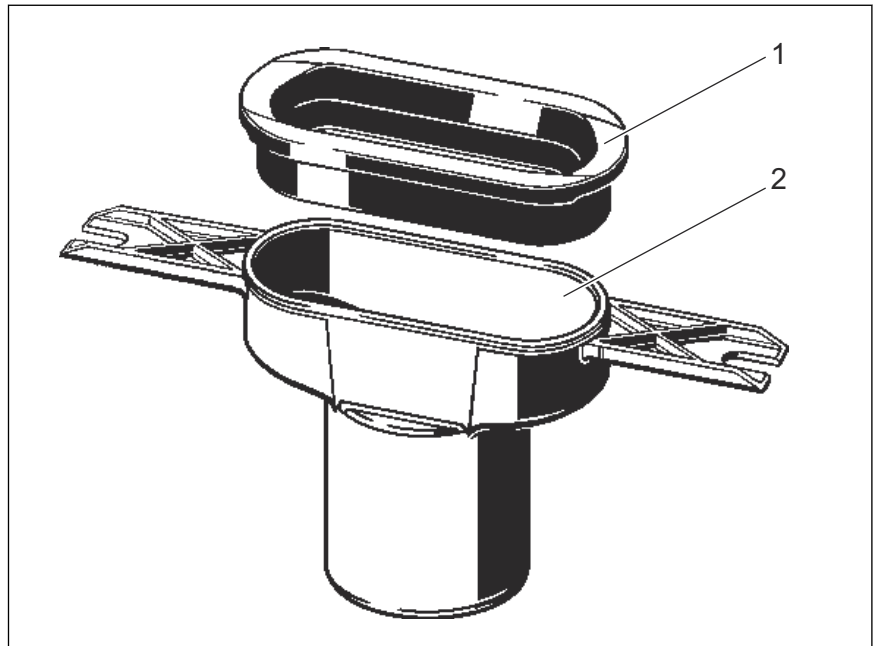


Fig. 1: Components and scope of delivery

- 1 Lip seal
- 2 Drain connector

3 Handling

3.1 Assembly information

3.1.1 Important note

During assembly:

- Observe installation dimensions.

After assembly:

- The shower channel must be fully lined with mortar.
- Coordinate all relevant installation details, especially regarding the bonded sealing, with those responsible for the subsequent work.

3.1.2 Installation dimensions

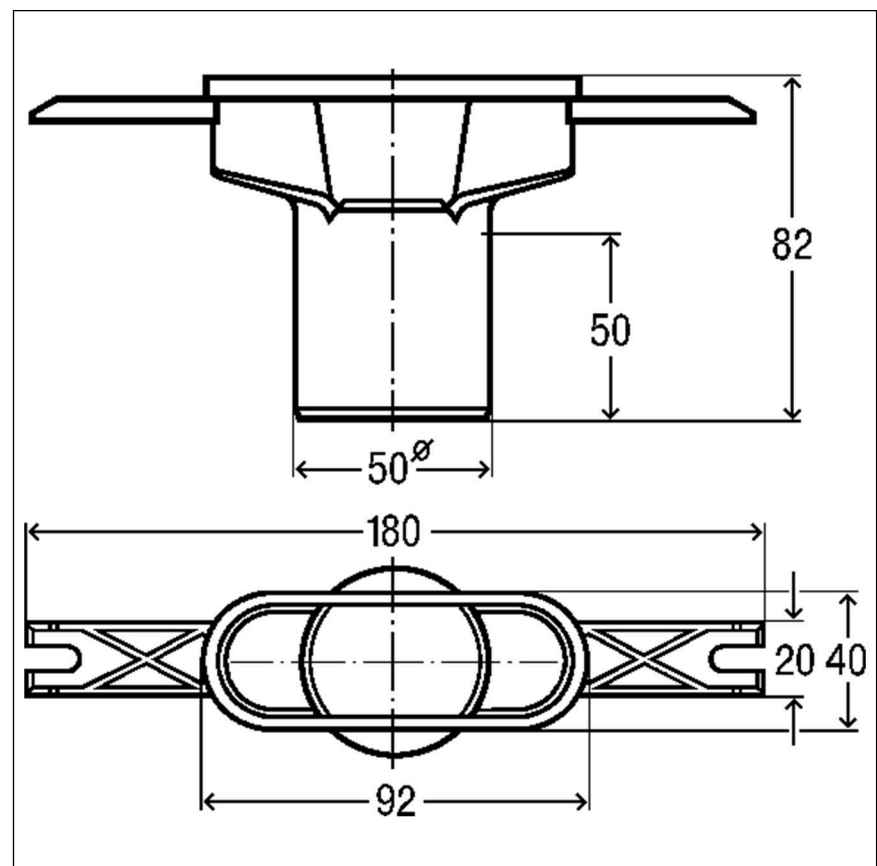
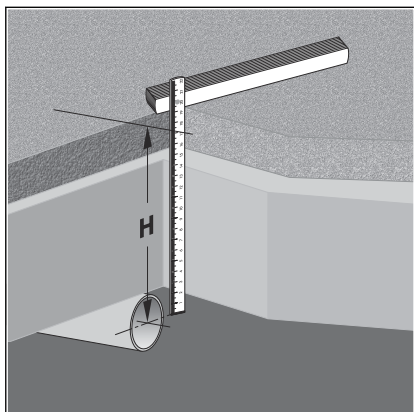


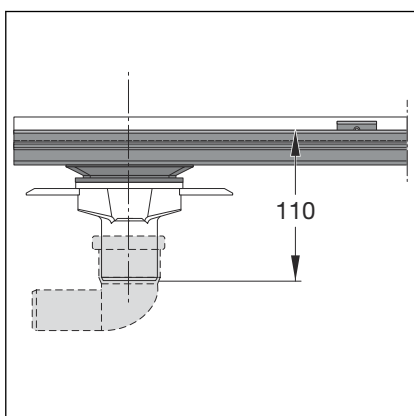
Fig. 2: Dimensions

3.2 Assembly

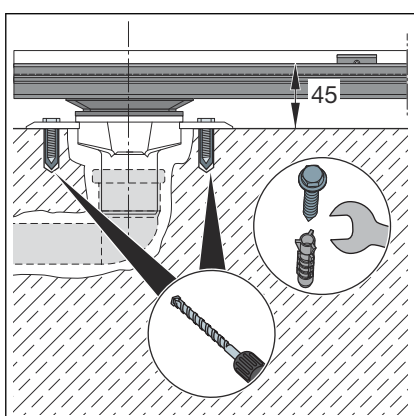
Determining the installation height



- Determine screed height (H).

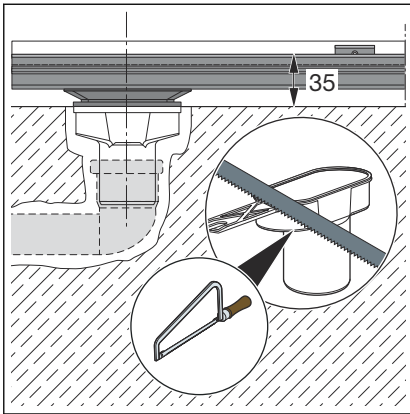


The installation height of upper edge flange to bottom edge drain connection is 110 mm.



Slipping of the drain connector can be prevented by fixing it by means of the lateral fixing lugs.

With the lateral fixing lugs, the installation height from the upper edge concrete to upper edge shower flange is 45 mm.

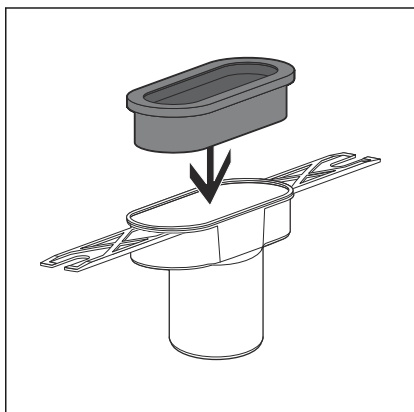


By removing the lateral fixing lugs, the installation height can be reduced to 35 mm.

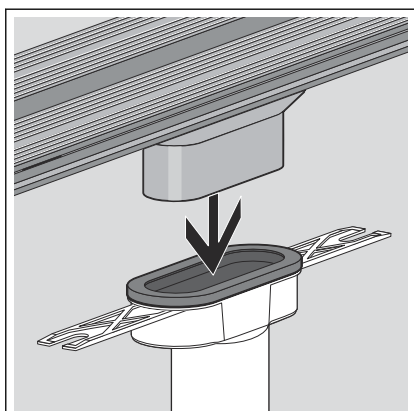
Connecting the drain socket

NOTICE! Risk of breakage The shower channel may break if it is twisted or raised on one side.

- Raise the shower channel evenly on both sides.
- In the case of L and U designs, lift the sides at the same time.

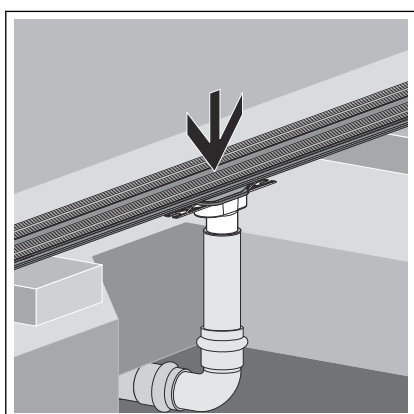


- Lubricate seal, inside and outside.
- Insert seal.



INFO! By means of the lateral fixing lugs, the drain connector can be fixed in the concrete floor.

- Push the shower channel with the drain socket into the drain connection as far as it will go.



- Push the drain connector fully into the drainpipe.
- If the drain connector has not been fixed in the concrete floor, use a pipe clamp to secure the drain connector against slipping.

3.3 Disposal

Separate the product and packaging materials (e. g. paper, metal, plastic or non-ferrous metals) and dispose of in accordance with valid national legal requirements.



Viega GmbH & Co. KG
service-technik@viega.de
viega.com

INT • 2022-08 • VPN170462

