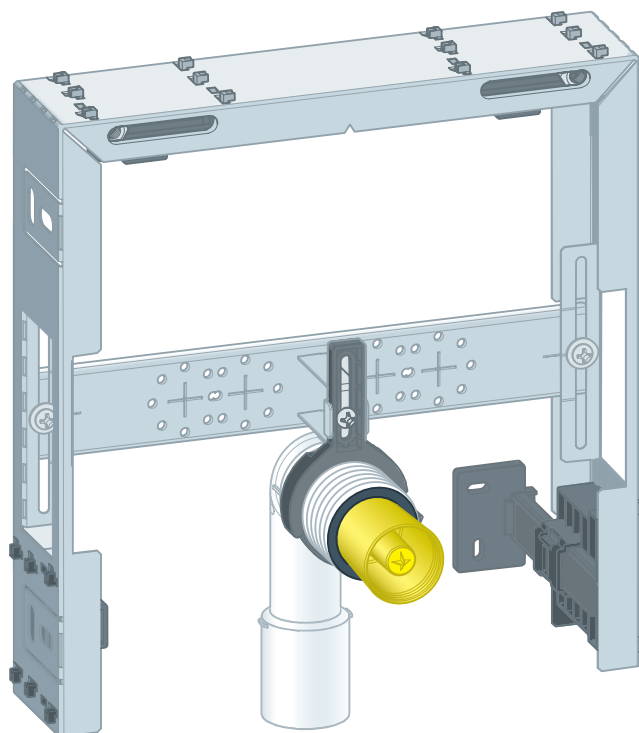


## Instructions for Use

# Prevista Pure washbasin block



**Model**  
8550

**Year built (from)**  
03/2019

**viega**

# Table of contents

<b>1</b>	<b>About these instructions for use</b>	<b>3</b>
	1.1 Target groups	3
	1.2 Labelling of notes	3
	1.3 About this translated version	4
<b>2</b>	<b>Product information</b>	<b>5</b>
	2.1 Intended use	5
	2.1.1 Areas of application	5
	2.2 Product description	5
	2.2.1 Overview	5
	2.2.2 Compatible components	6
	2.2.3 Technical data	6
<b>3</b>	<b>Handling</b>	<b>7</b>
	3.1 Assembly information	7
	3.1.1 Installation dimensions	7
	3.2 Assembly	8
	3.2.1 Mounting the washbasin block	8
	3.2.2 Mounting the drain elbow	10
	3.2.3 Setting up and bricking in the washbasin block	11
	3.3 Disposal	12

# 1 About these instructions for use

Trade mark rights exist for this document; for further information, go to [viega.com/legal](http://viega.com/legal).

## 1.1 Target groups

The information in this instruction manual is directed at the following groups of people:

- Heating and plumbing experts and trained personnel
- Drywall builders

Individuals without the abovementioned training or qualification are not permitted to mount, install and, if required, maintain this product. This restriction does not extend to possible operating instructions.

The installation of Viega products must take place in accordance with the general rules of engineering and the Viega instructions for use.

## 1.2 Labelling of notes

Warning and advisory texts are set aside from the remainder of the text and are labelled with the relevant pictographs.



### **DANGER!**

This symbol warns of possible life-threatening injury.



### **WARNING!**

This symbol warns of possible serious injury.



### **CAUTION!**

This symbol warns of possible injury.



### **NOTICE!**

This symbol warns of possible damage to property.



This symbol gives additional information and hints.

### 1.3 About this translated version

This instruction for use contains important information about the choice of product or system, assembly and commissioning as well as intended use and, if required, maintenance measures. The information about the products, their properties and application technology are based on the current standards in Europe (e.g. EN) and/or in Germany (e.g. DIN/DVGW).

Some passages in the text may refer to technical codes in Europe/Germany. These should serve as recommendations in the absence of corresponding national regulations. The relevant national laws, standards, regulations, directives and other technical provisions take priority over the German/European directives specified in this manual: The information herein is not binding for other countries and regions; as said above, they should be understood as a recommendation.

## 2 Product information

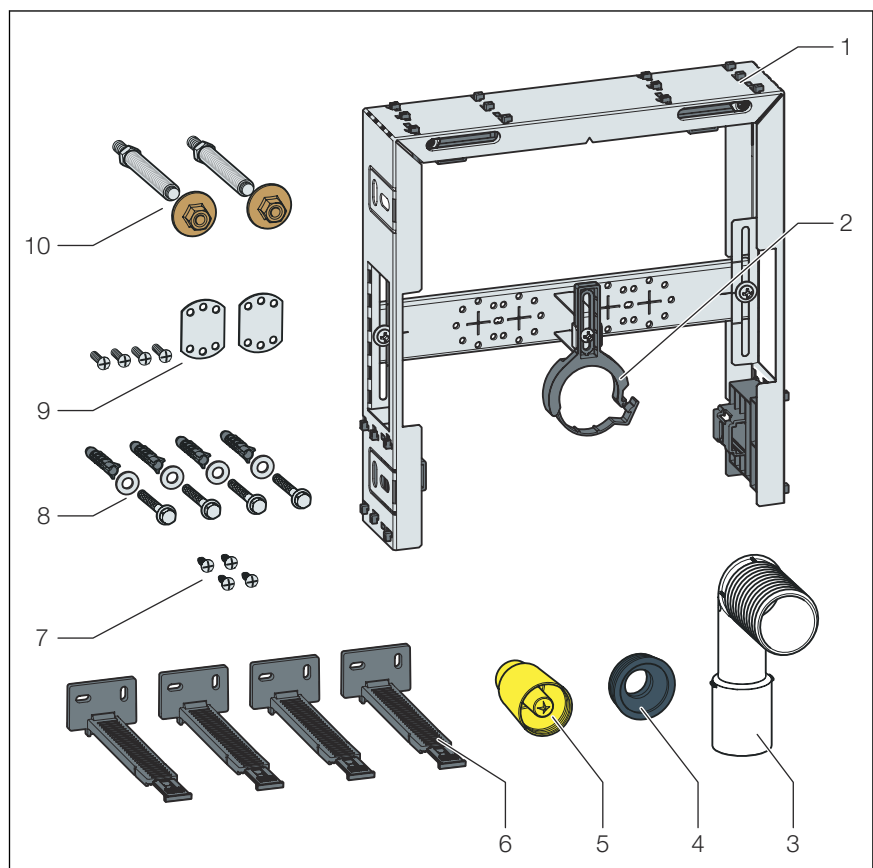
### 2.1 Intended use

#### 2.1.1 Areas of application

The Prevista Pure washbasin block is suitable for walling in and around, for single mounting, for line mounting, wall mounting, and stand-alone mounting.

### 2.2 Product description

#### 2.2.1 Overview



**Fig. 1: Components and scope of delivery**

- 1 washbasin block
- 2 Holder for drain elbow
- 3 Drain elbow
- 4 Flushing pipe connector
- 5 Protective plug
- 6 Wall mounting
- 7 Screws for fixing in stud frame

- 8 Screws for fixing in the wall
- 9 Assembly accessories wall plates
- 10 Threaded rods for fixing sanitary objects

## 2.2.2 Compatible components

The washbasin element is compatible with all common washbasin ceramics, even with larger projection (barrier-free).

## 2.2.3 Technical data

Drain elbow (outlet side)	DN 40 / 50
Rubber nipple	DN 50 / 30

## 3 Handling

### 3.1 Assembly information

#### 3.1.1 Installation dimensions

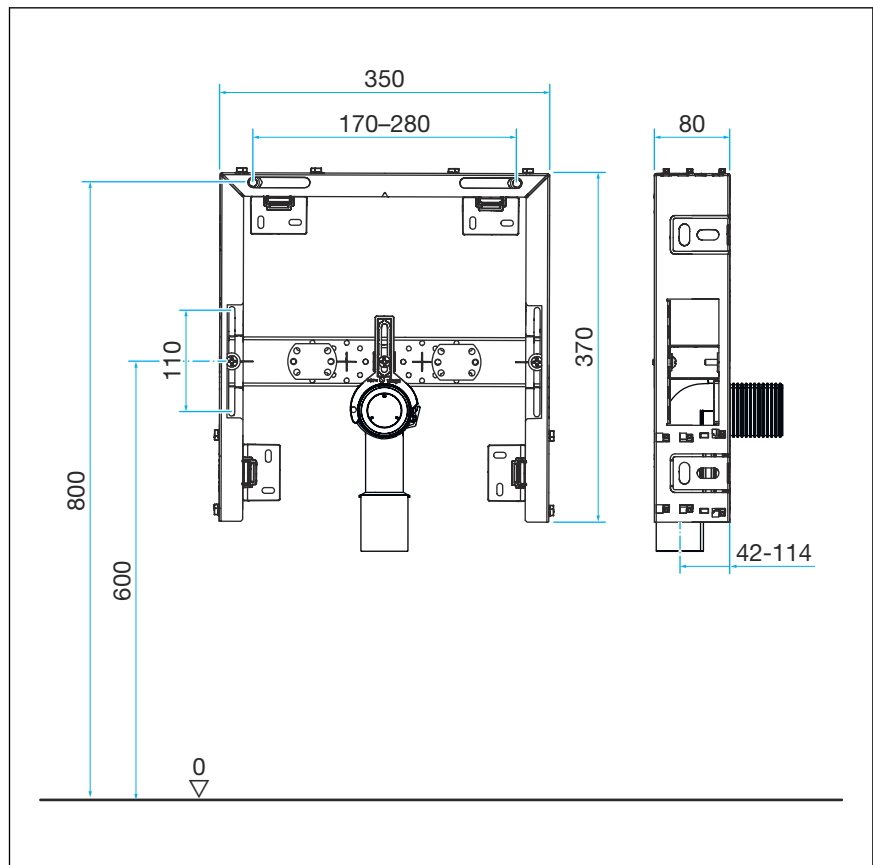
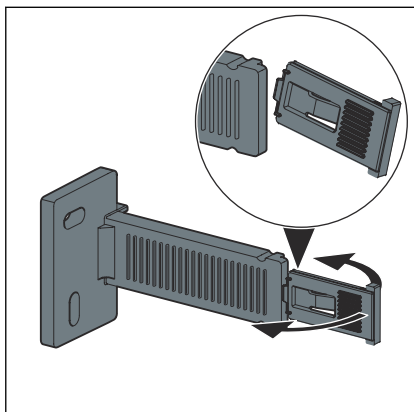


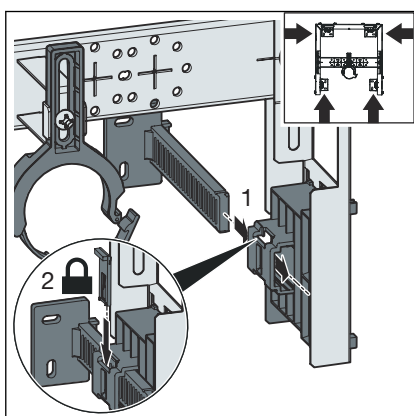
Fig. 2: Dimensions

## 3.2 Assembly

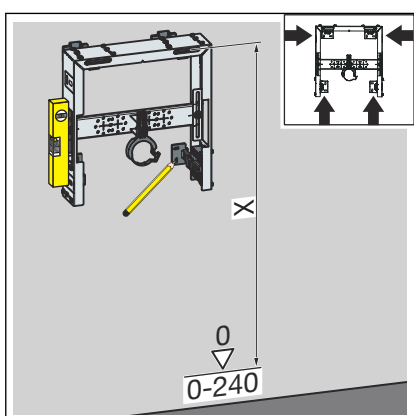
### 3.2.1 Mounting the washbasin block



- Break the locking clips off the wall mountings.

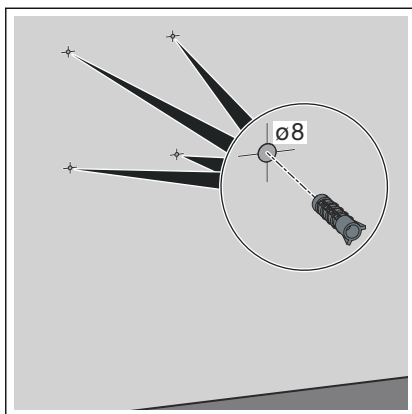


- Push the wall mountings into the element.
- Insert the locking clips.

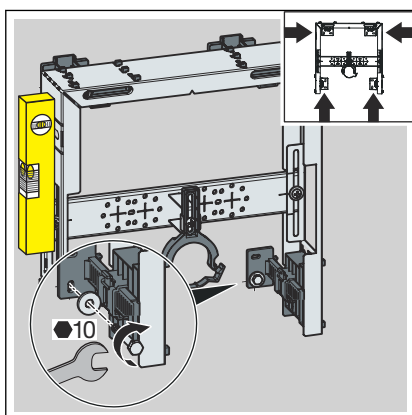


- Adjust the construction height of the washbasin block in accordance with the on-site marking of the upper edge of the finished floor.
- Mark the fixing points.



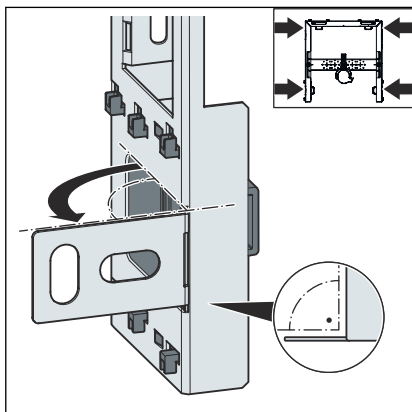


- Drill the holes.
- Insert the dowels.

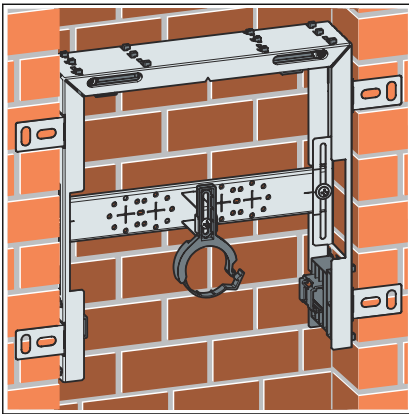


- Tighten the washbasin block via the mounting brackets using a fork spanner (sw 10).
- The washbasin block is attached to the wall.

### Mounting in a niche

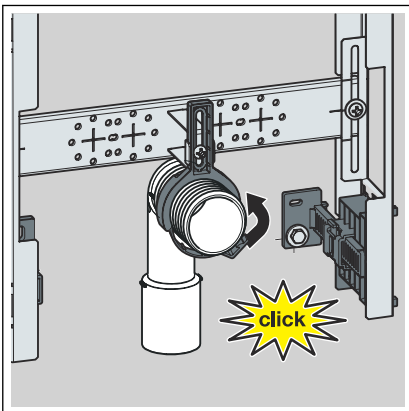


- Fold the tab forward.

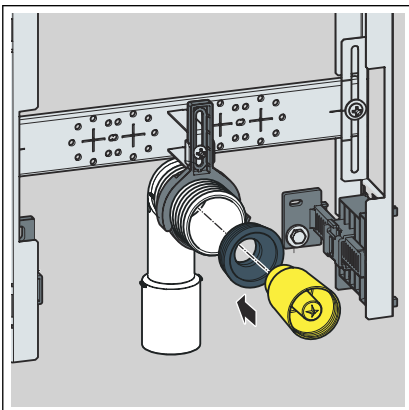


- Insert the washbasin block in the niche.
- Align and screw the washbasin block.

### 3.2.2 Mounting the drain elbow

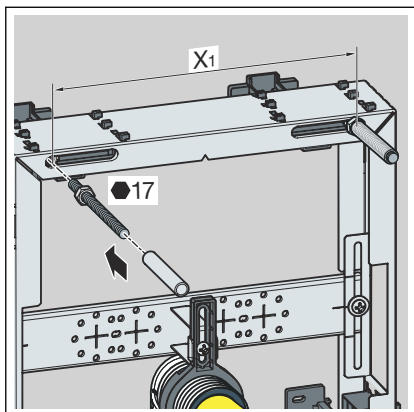


- Insert the drain elbow.
- Fasten the drain elbow using the bow.

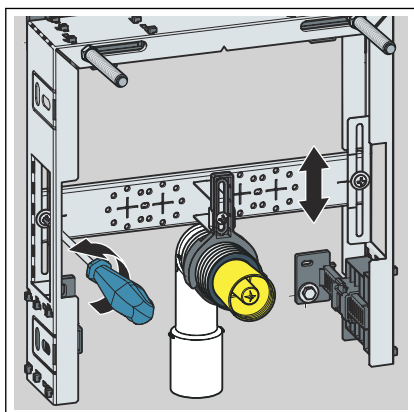


- Attach the protective plug of the drain elbow.

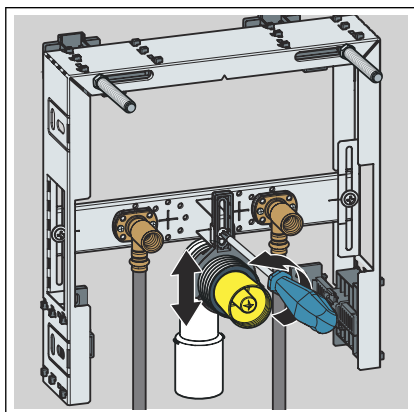
### 3.2.3 Setting up and bricking in the washbasin block



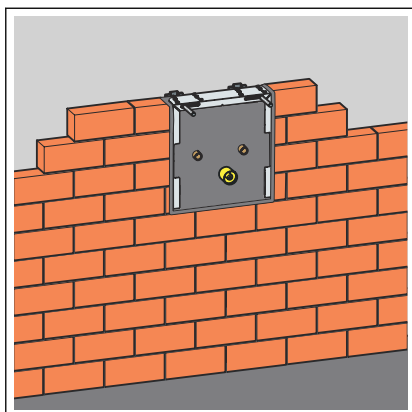
- Turn in the threaded rods by hand.
- Push the threaded rods into the desired position.  
X1: 170–280 mm
- Tighten the nuts of the threaded rods with a fork spanner (size 17).
- Place the protective caps on the threaded rods.



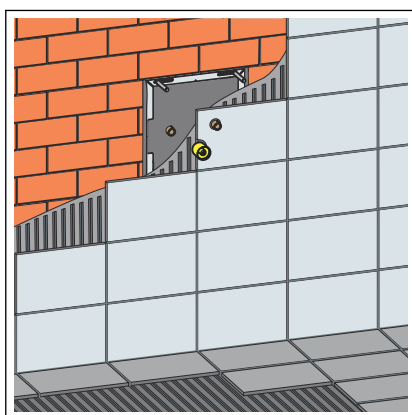
- Set the ledge for the wall plates to the desired height.  
The ledge for the wall plates can be adjusted by a maximum of 110 mm.



- Set the drain elbow to the desired height.
- Make the water connections.



- Brick in the washbasin block.
- Fill in the free space.



- Tile the washbasin block.

### 3.3 Disposal

Separate the product and packaging materials (e. g. paper, metal, plastic or non-ferrous metals) and dispose of in accordance with valid national legal requirements.



**Viega GmbH & Co. KG**  
service-technik@viega.de  
viega.com

INT • 2022-08 • VPN210844

