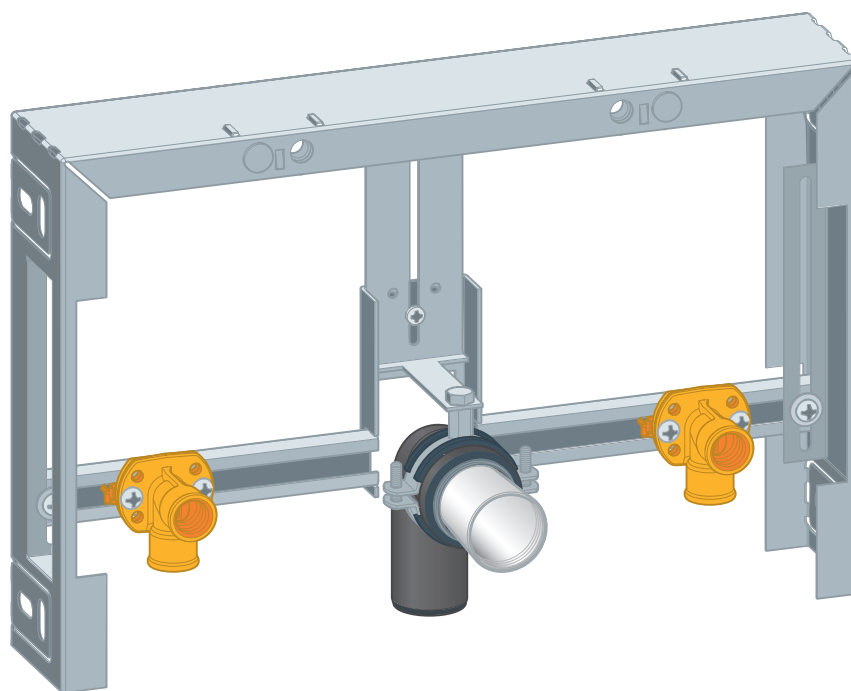


Instructions for Use

Prevista Pure bidet block



for wall-hung bidet, wet construction installation

Model
8367

Year built (from)
01/2020

viega

Table of contents

1	About these instructions for use	3
	1.1 Target groups	3
	1.2 Labelling of notes	3
	1.3 About this translated version	4
2	Product information	5
	2.1 Intended use	5
	2.1.1 Areas of use	5
	2.2 Product description	5
	2.2.1 Overview	5
	2.2.2 Technical data	6
3	Handling	7
	3.1 Assembly information	7
	3.1.1 Installation dimensions	7
	3.2 Assembly	8
	3.2.1 Mounting a pre-wall block	8
	3.3 Disposal	11

1 About these instructions for use

Trade mark rights exist for this document; for further information, go to viega.com/legal.

1.1 Target groups

The information in this instruction manual is directed at the following groups of people:

- Heating and sanitary professionals and trained personnel

Individuals without the abovementioned training or qualification are not permitted to mount, install and, if required, maintain this product. This restriction does not extend to possible operating instructions.

The installation of Viega products must take place in accordance with the general rules of engineering and the Viega instructions for use.

1.2 Labelling of notes

Warning and advisory texts are set aside from the remainder of the text and are labelled with the relevant pictographs.



DANGER!

This symbol warns of possible life-threatening injury.



WARNING!

This symbol warns of possible serious injury.



CAUTION!

This symbol warns of possible injury.



NOTICE!

This symbol warns of possible damage to property.



This symbol gives additional information and hints.

1.3 About this translated version

This instruction for use contains important information about the choice of product or system, assembly and commissioning as well as intended use and, if required, maintenance measures. The information about the products, their properties and application technology are based on the current standards in Europe (e.g. EN) and/or in Germany (e.g. DIN/DVGW).

Some passages in the text may refer to technical codes in Europe/Germany. These should serve as recommendations in the absence of corresponding national regulations. The relevant national laws, standards, regulations, directives and other technical provisions take priority over the German/European directives specified in this manual: The information herein is not binding for other countries and regions; as said above, they should be understood as a recommendation.

2 Product information

2.1 Intended use

2.1.1 Areas of use

The Prevista Pure bidet block is suitable for mounting wall-mounted bidets and for walling in or around. This model 8367 has height-adjustable and width-adjustable wall plates.

2.2 Product description

2.2.1 Overview

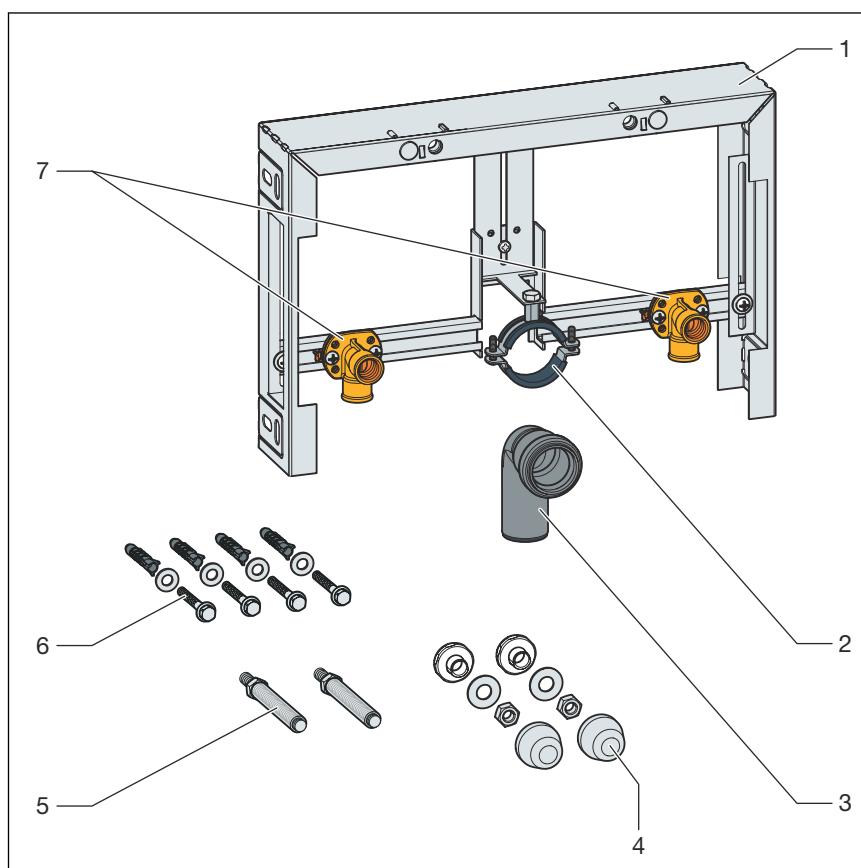


Fig. 1: Components

- 1 Prevista Pure bidet block
- 2 Holder for drain elbow
- 3 Drain elbow
- 4 Fixing material for bidet ceramic
- 5 threaded rods for fixing sanitary objects
- 6 Fixing material: dowels and screws
- 7 Wall plates

2.2.2 Technical data

The product has the following technical data:

frame	Galvanised steel
Wall plates	Gunmetal ½ inch
Drain elbow	DN 40

3 Handling

3.1 Assembly information

3.1.1 Installation dimensions

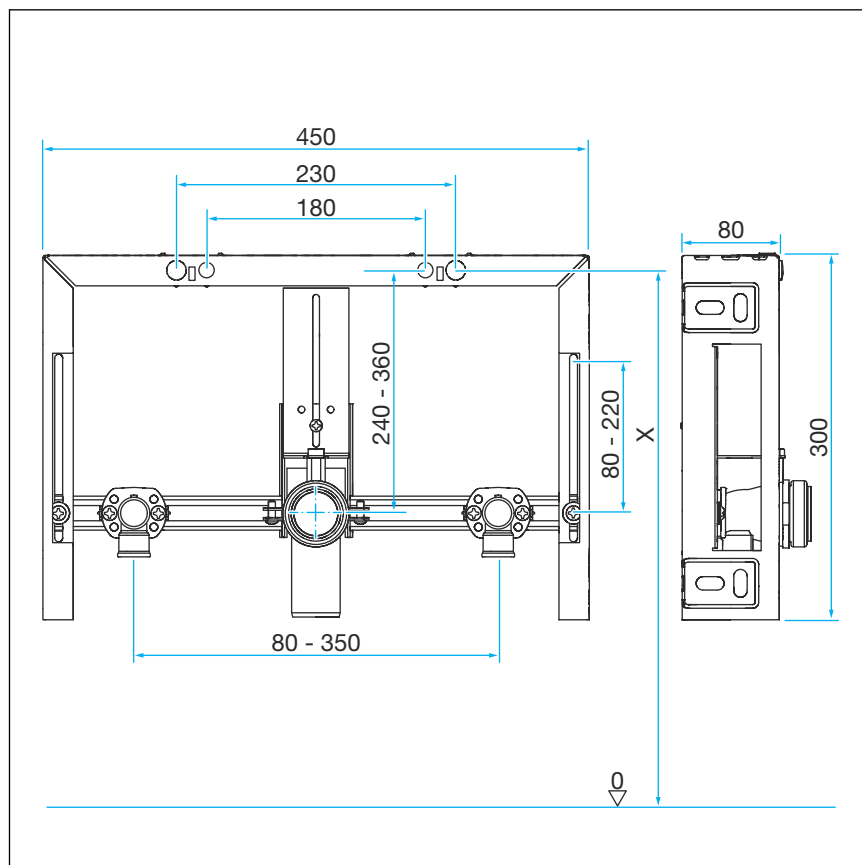
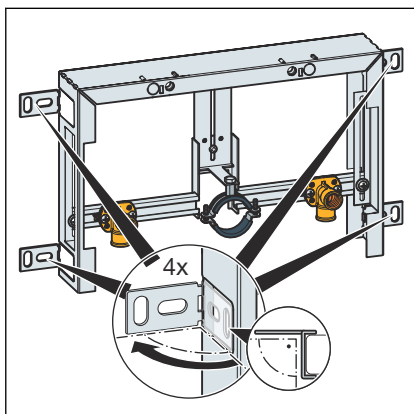


Fig. 2: Dimensional drawing

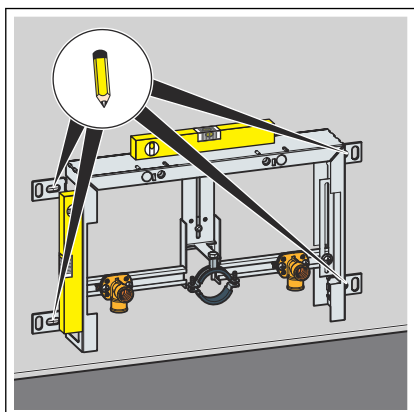
3.2 Assembly

3.2.1 Mounting a pre-wall block

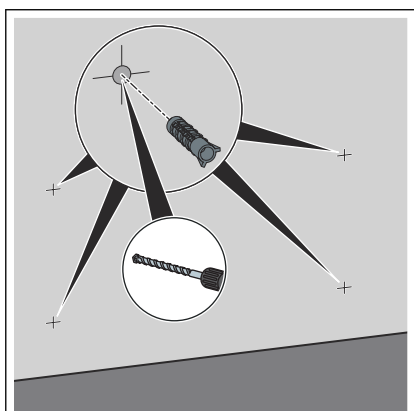
Mounting on a solid wall



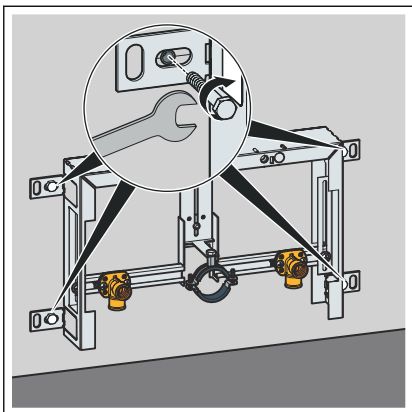
- Bend open the four fixing lugs on the side by 90°.



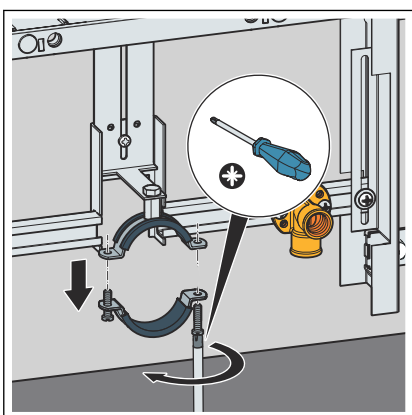
- Determine the fixing height.
- Align the block horizontally.



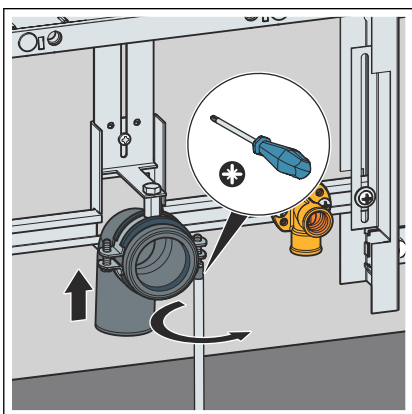
- Drill the holes and attach the dowels.



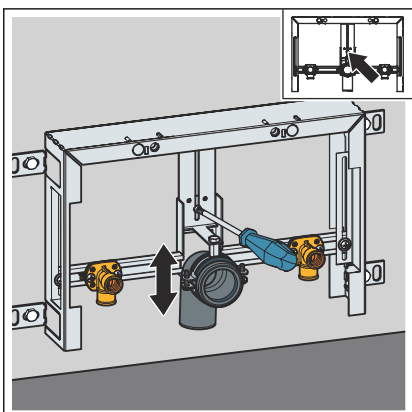
► Attach the block to the wall with the screws supplied.



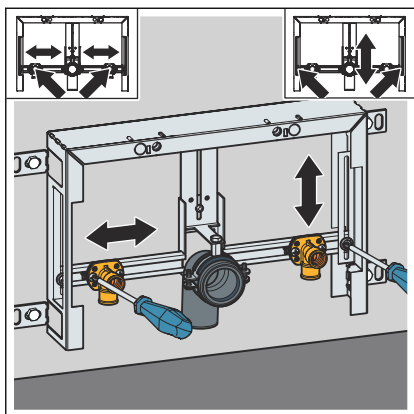
► Open the pipe clamp.



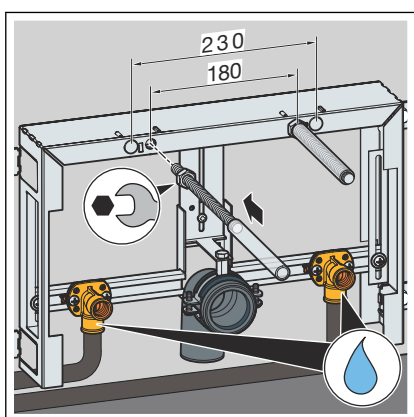
► Insert the drain elbow.
 ► Close the pipe clamp.



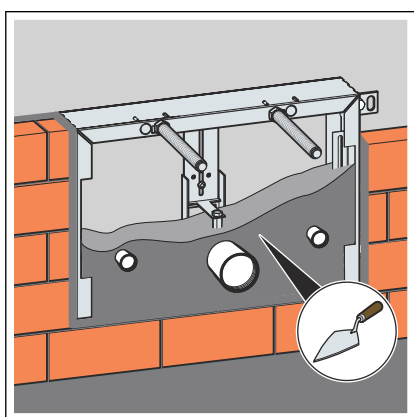
► Set the height of the drain elbow.



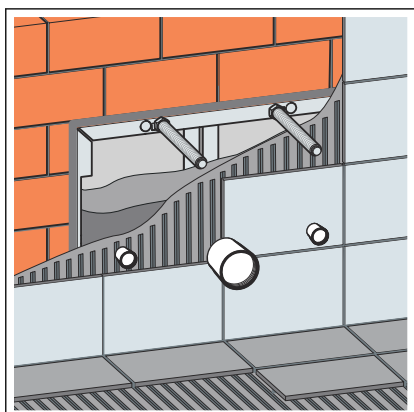
► Set the height and width of the wall plates.



► Turn in the threaded rods by hand.

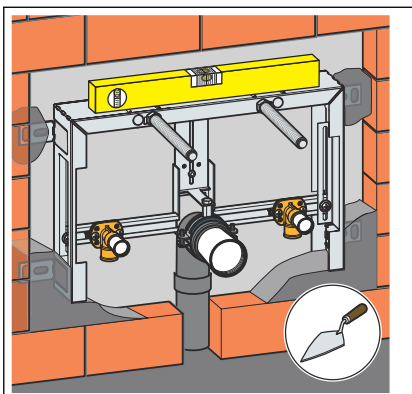


► Brick the block in and up completely.

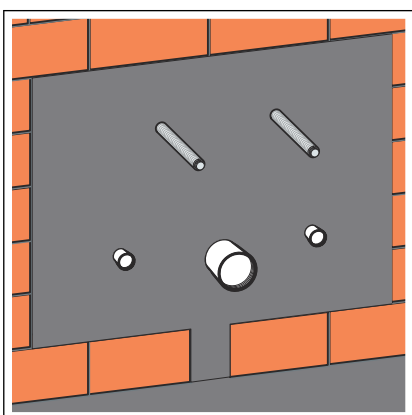


► Tile the pre-wall.

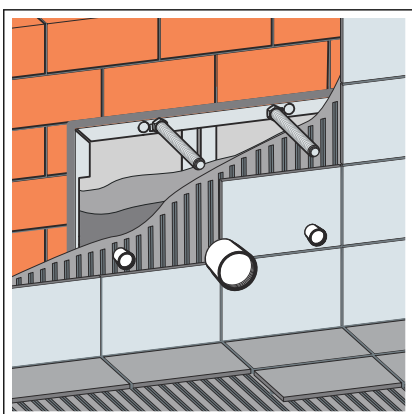
Mounting in a solid wall



➤ Align the block horizontally and fix in the wall using mortar.



➤ Brick the block in and up completely.



➤ Plaster the block completely.

3.3 Disposal

Separate the product and packaging materials (e. g. paper, metal, plastic or non-ferrous metals) and dispose of in accordance with valid national legal requirements.



Viega GmbH & Co. KG
service-technik@viega.de
viega.com

INT • 2022-08 • VPN190598

