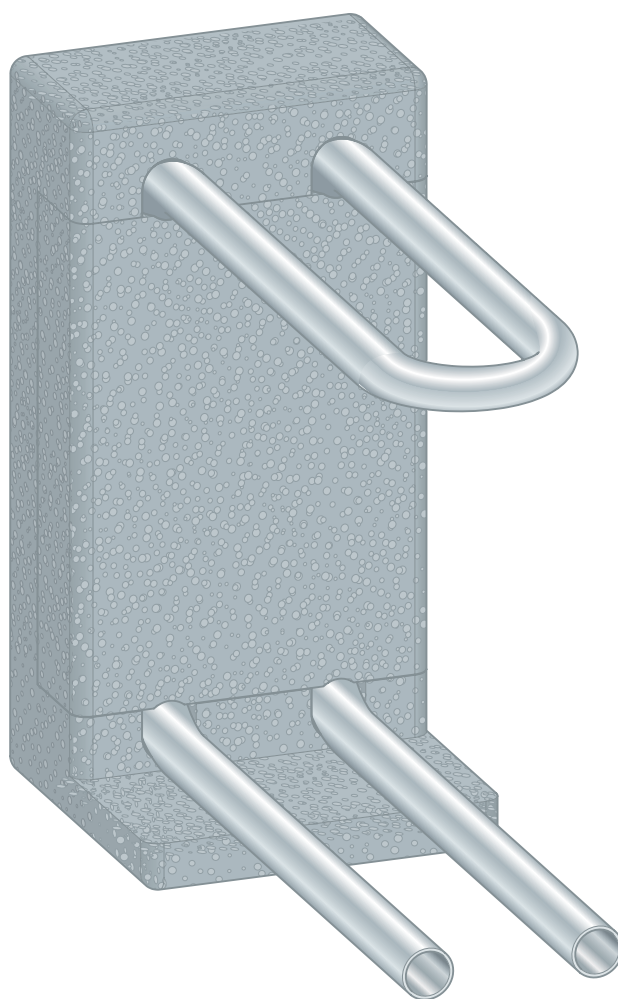


Instructions for Use

Radiator connection block



for radiator connection out of the wall

Model
1097.6

Year built (from)
01/1998

viega

Table of contents

1	About these instructions for use	3
	1.1 Target groups	3
	1.2 Labelling of notes	3
	1.3 About this translated version	4
2	Product information	5
	2.1 Intended use	5
	2.2 Product description	5
	2.2.1 Overview	5
	2.2.2 Accessories	6
3	Handling	9
	3.1 Transport	9
	3.2 Assembly information	9
	3.2.1 Mounting instructions	9
	3.3 Assembly	10
	3.3.1 Mount the radiator connection	10
	3.4 Disposal	13

1 About these instructions for use

Trade mark rights exist for this document; for further information, go to viega.com/legal.

1.1 Target groups

The information in this manual is directed at heating and sanitary professionals and trained personnel.

Individuals without the abovementioned training or qualification are not permitted to mount, install and, if required, maintain this product. This restriction does not extend to possible operating instructions.

The installation of Viega products must take place in accordance with the general rules of engineering and the Viega instructions for use.

1.2 Labelling of notes

Warning and advisory texts are set aside from the remainder of the text and are labelled with the relevant pictographs.



DANGER!

This symbol warns of possible life-threatening injury.



WARNING!

This symbol warns of possible serious injury.



CAUTION!

This symbol warns of possible injury.



NOTICE!

This symbol warns of possible damage to property.



This symbol gives additional information and hints.

1.3 About this translated version

This instruction for use contains important information about the choice of product or system, assembly and commissioning as well as intended use and, if required, maintenance measures. The information about the products, their properties and application technology are based on the current standards in Europe (e.g. EN) and/or in Germany (e.g. DIN/DVGW).

Some passages in the text may refer to technical codes in Europe/Germany. These should serve as recommendations in the absence of corresponding national regulations. The relevant national laws, standards, regulations, directives and other technical provisions take priority over the German/European directives specified in this manual: The information herein is not binding for other countries and regions; as said above, they should be understood as a recommendation.

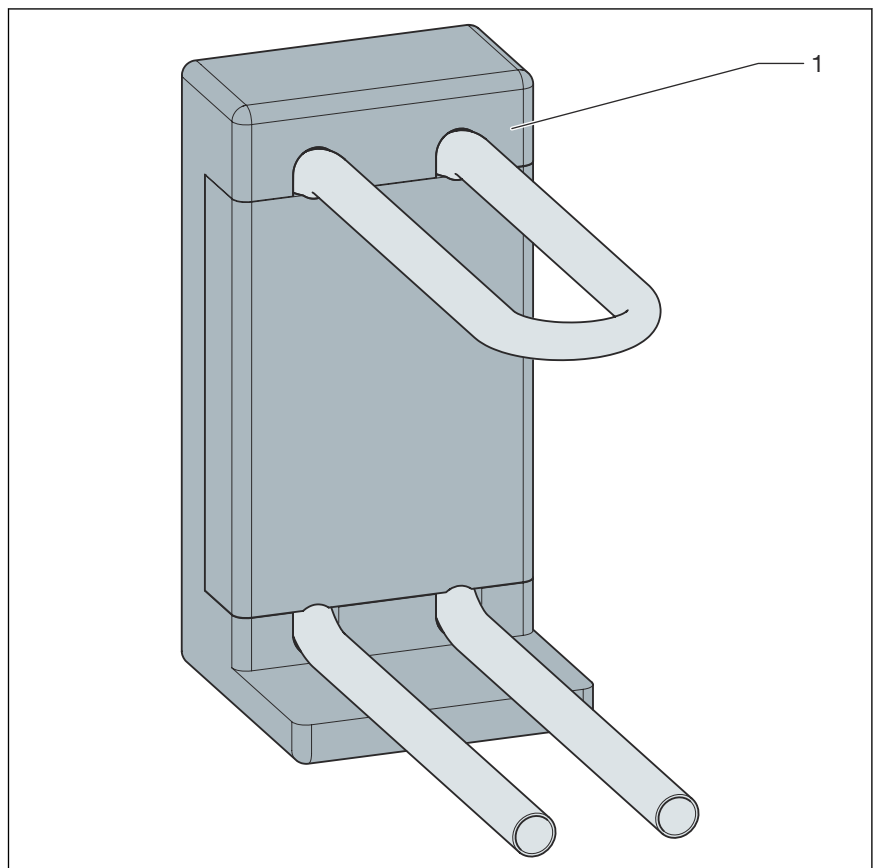
2 Product information

2.1 Intended use

The radiator connection block is intended for connecting a radiator.

2.2 Product description

2.2.1 Overview



1 Terminal block

Installation dimensions

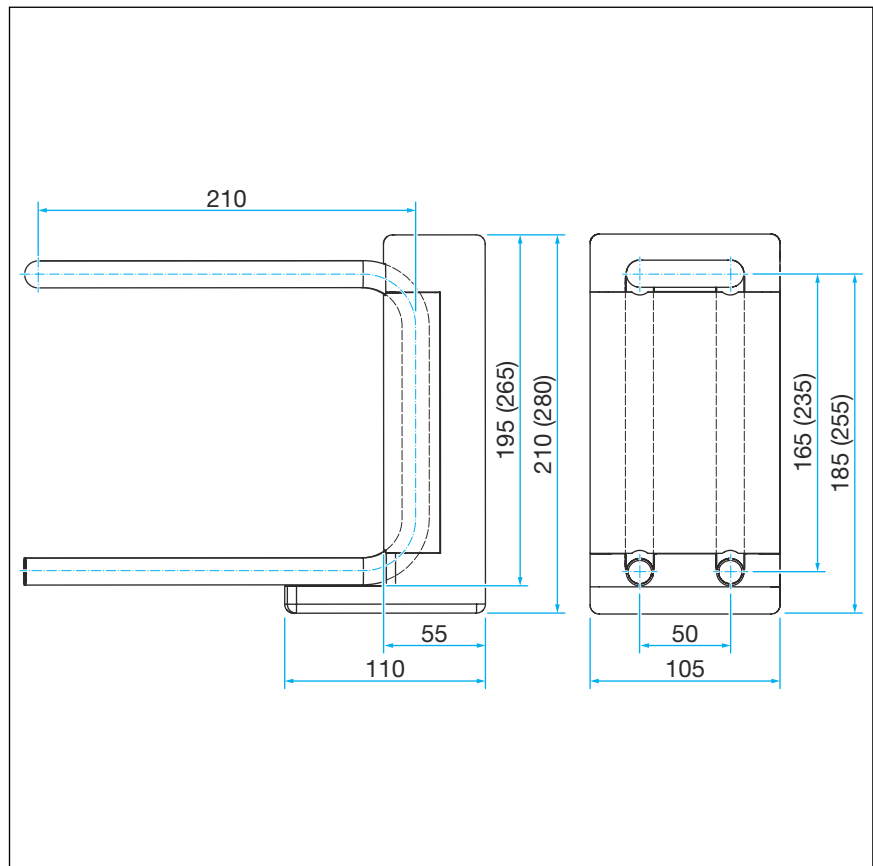


Fig. 1: Installation dimensions

2.2.2 Accessories

Required accessories

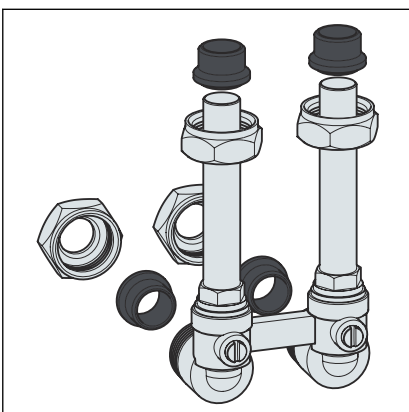


Fig. 2: Model 1097.7 radiator connection set

Optional accessories

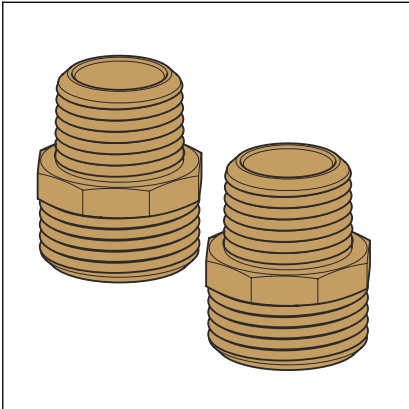


Fig. 3: Model 1022.6 adapter set

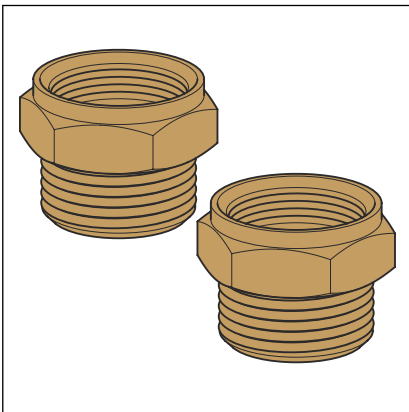


Fig. 4: Model 1022.7 adapter set

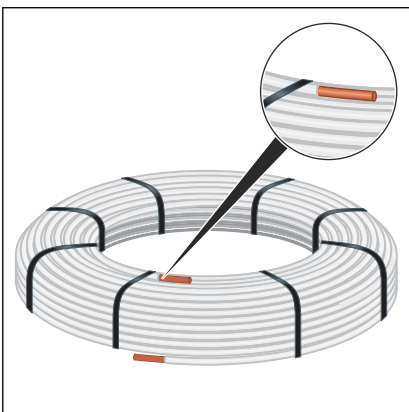


Fig. 5: Copper roller tube

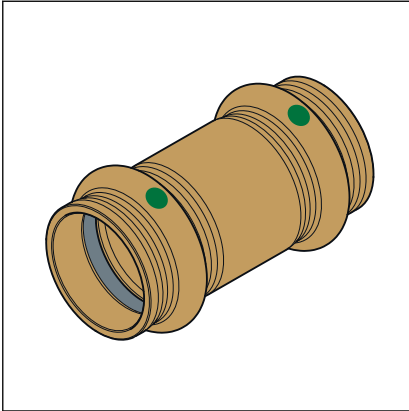


Fig. 6: Model 2215 press connector

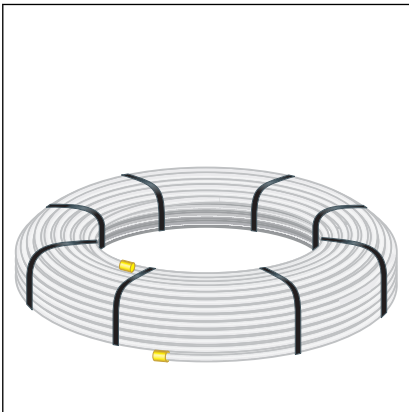


Fig. 7: Model 2102 Sanfix Fosta pipe

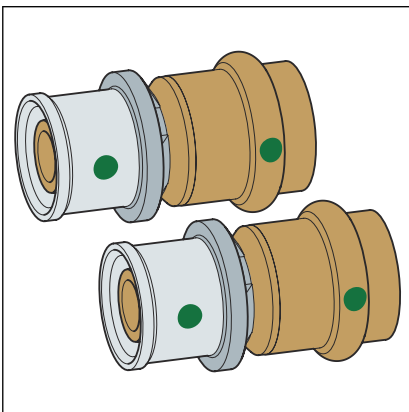


Fig. 8: Model 5313P adapter

3 Handling

3.1 Transport



Do not remove components from the packaging until immediately before use.

3.2 Assembly information

3.2.1 Mounting instructions

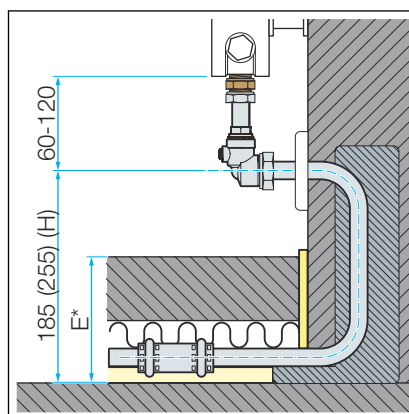


Fig. 9: Installation dimensions

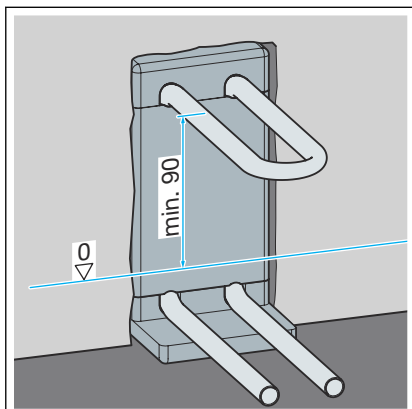
Installation dimensions from top edge of concrete ceiling (H). The connection block is installed in the wall, connected with copper pipe (Profi-press Therm) or PE-Xc (Sanfix Fosta) and laid in the screed construction (E) on a Viega PUR insulation panel.



For a screed construction (E) > 90 mm, use the connection block with a connection height of 255 mm.

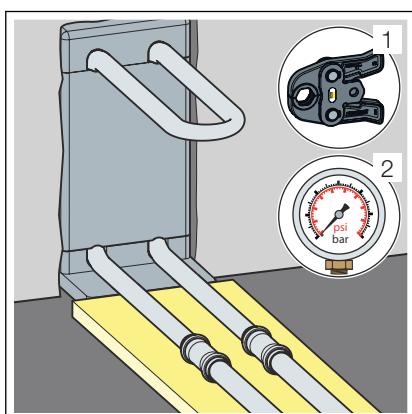
3.3 Assembly

3.3.1 Mount the radiator connection

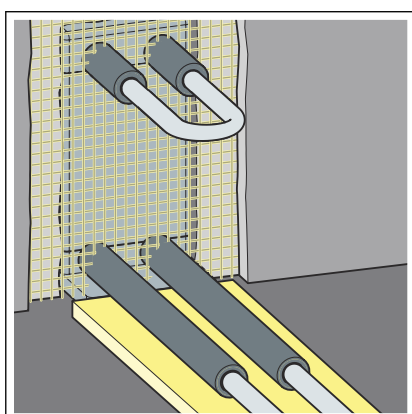


- Install the connection block in the wall (F = upper edge of finished floor).

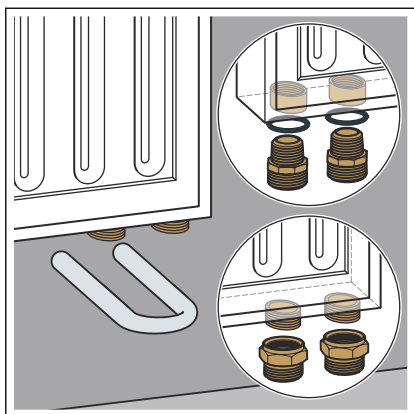
Observe the information from the radiator manufacturer.



- Connect the terminal block and perform a leakage test.

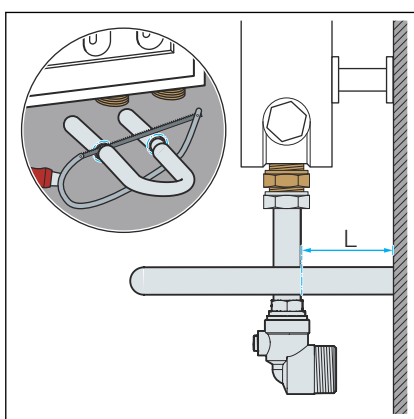


- Protect the bare pipes and press connectors against external influences.
- Clean up the wall opening with the help of fabric mats.
Then complete all other measures, such as plastering, screeding, tiling and painting.

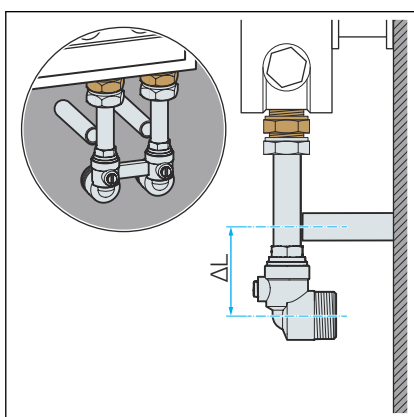


- Install the radiator.

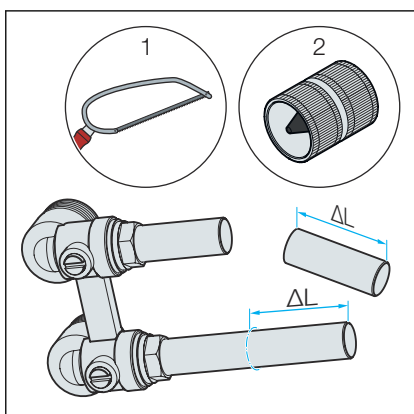
INFO! Appropriate adapter sets (for radiators with female or male thread) are required for mounting the connector.



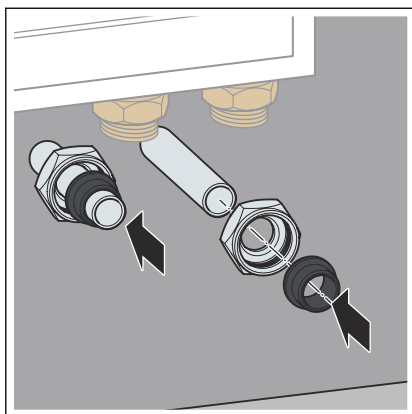
- Cut the connection lines to length L accordingly.



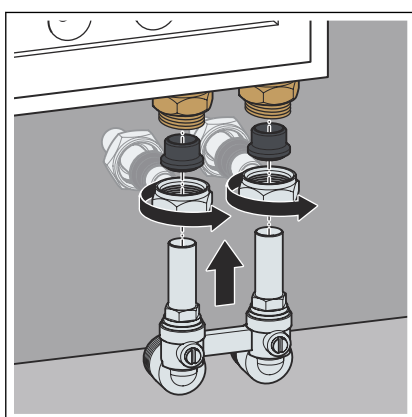
- Insert the connector into the radiator and measure the difference ΔL .



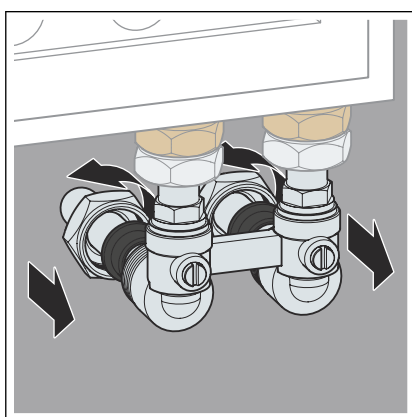
- Transfer the difference ΔL to the connector.
- Cut the connector to length with a fine-toothed steel saw.
- Next, deburr on the inside and outside.



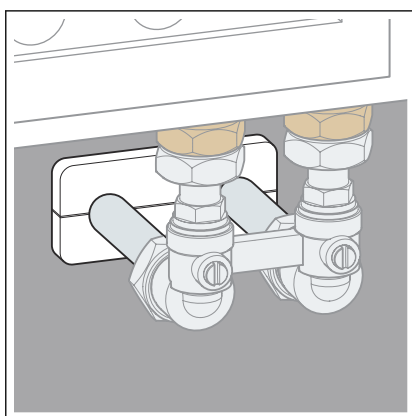
➤ Push the connection screw fittings onto the pipe ends of the connection block.



➤ Connect the connector to the radiator.



➤ Connect the connector to the connection block.



➤ Mount the connector and mount the rosette.
 ➤ Carry out a visual inspection of all screw fittings after filling and commissioning the system.

3.4 Disposal

Separate the product and packaging materials (e. g. paper, metal, plastic or non-ferrous metals) and dispose of in accordance with valid national legal requirements.



Viega GmbH & Co. KG
service-technik@viega.de
viega.com

INT • 2022-08 • VPN200476

